

# nienkämpfer

## **TANGENT®**

### SHELVING



**2026**



## TANGENT® SHELVING

Tangent is an innovative, strong, and graceful shelving system. Tangent is unique because of its beautifully simple means of assembly. When the shelves are eased into their supports, they instantly lock in place. The anodized aluminum supports are so unobtrusive, shelves seem to float.

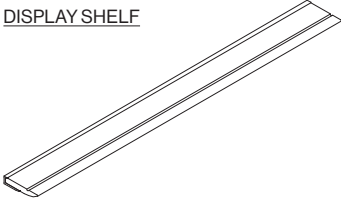
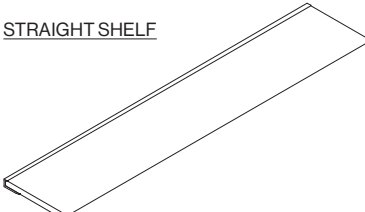
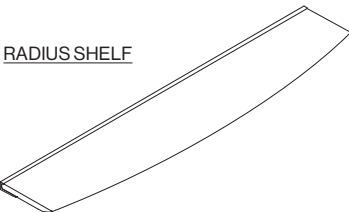
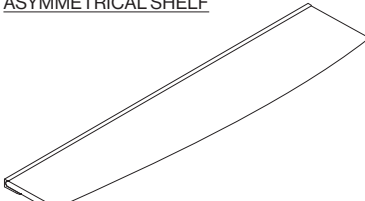
Tangent has won numerous design awards since its introduction in 1997:

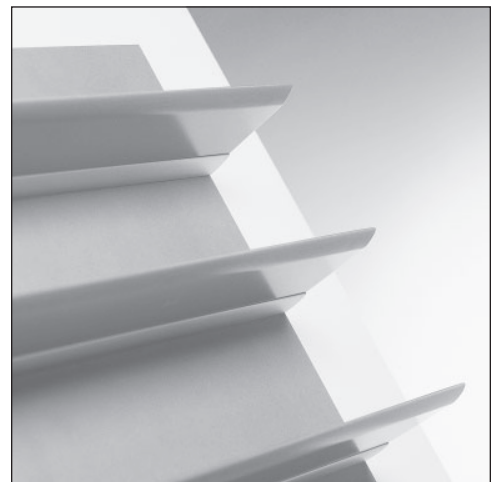
- 1999:** National Post Design Excellence Award
- 1998:** I.D. Annual Design Review Award
- 1998:** NEOCON Gold Award – Best of Show
- 1998:** Best of Canada Award
- 1998:** Good Design Award
- 1998:** NEOCON/IIDEX Canada Gold Award
- 1997:** Virtu 11 Award

Prices include freight charges, blanket wrapped, dock delivered, from the manufacturing source to any location in the contiguous United States. Packing and/or crating are available, if required, upcharges apply.

# TANGENT® SHELVES

Tangent shelves provide a unique and effective shelving solution. Key to the entire system is a strong, wall-mounted aluminum bracket. Along its length is a concealed "tooth" that corresponds to a groove in the bottom of the shelf. Simply ease the shelf into the bracket and rotate downward. The patented tooth and groove design will lock the shelf into place. Maximum shelf load capacity is 20 lbs. per linear foot, meaning a 4' shelf can accommodate up to 80 lbs. distributed evenly across its length. All shelves are available in standard Nienkämper wood veneers and stains. The standard finish for the anodized aluminum bracket is silver. Refer to pages 8 & 12 for wood and aluminum finish options.

	Model Number	L" x	D" x	H"	List Price
DISPLAY SHELF 	<b>29210</b>	<b>36</b>	<b>5 ¾</b>	<b>1 ¾</b>	<b>1,125</b>
	29211	48	5 ¾	1 ¾	1,275
	<b>29212</b>	<b>60</b>	<b>5 ¾</b>	<b>1 ¾</b>	<b>1,430</b>
	29213	72	5 ¾	1 ¾	1,600
	<b>29214</b>	<b>84</b>	<b>5 ¾</b>	<b>1 ¾</b>	<b>1,760</b>
	29215	96	5 ¾	1 ¾	1,905
STRAIGHT SHELF 	<b>29220</b>	<b>36</b>	<b>12 ½</b>	<b>1 ¾</b>	<b>1,185</b>
	29221	48	12 ½	1 ¾	1,345
	<b>29222</b>	<b>60</b>	<b>12 ½</b>	<b>1 ¾</b>	<b>1,530</b>
	29223	72	12 ½	1 ¾	1,700
	<b>29224</b>	<b>84</b>	<b>12 ½</b>	<b>1 ¾</b>	<b>1,870</b>
	29225	96	12 ½	1 ¾	2,035
RADIUS SHELF 	<b>29230</b>	<b>36</b>	<b>(11) 12 ½</b>	<b>1 ¾</b>	<b>1,380</b>
	29231	48	(11) 12 ½	1 ¾	1,555
	<b>29232</b>	<b>60</b>	<b>(11) 12 ½</b>	<b>1 ¾</b>	<b>1,730</b>
	29233	72	(11) 12 ½	1 ¾	1,925
	<b>29234</b>	<b>84</b>	<b>(11) 12 ½</b>	<b>1 ¾</b>	<b>2,080</b>
	29235	96	(11) 12 ½	1 ¾	2,260
ASYMMETRICAL SHELF 	<b>29240</b>	<b>36</b>	<b>(11) 12 ½</b>	<b>1 ¾</b>	<b>1,380</b>
	29241	48	(11) 12 ½	1 ¾	1,555
	<b>29242</b>	<b>60</b>	<b>(11) 12 ½</b>	<b>1 ¾</b>	<b>1,730</b>
	29243	72	(11) 12 ½	1 ¾	1,925
	<b>29244</b>	<b>84</b>	<b>(11) 12 ½</b>	<b>1 ¾</b>	<b>2,080</b>
	29245	96	(11) 12 ½	1 ¾	2,260

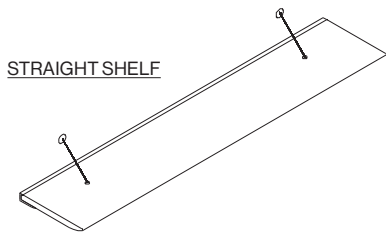




# TANGENT® SHELVES WITH WIRE SUPPORT

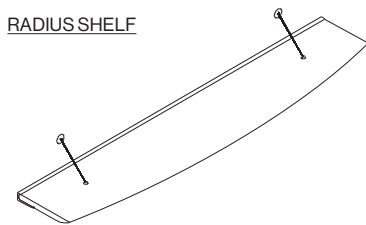
Tangent shelves provide a unique and effective shelving solution. Key to the entire system is a strong, wall-mounted aluminum bracket. The addition of a diagonal wire support dramatically increases the capacity to carry a load. Once the wire assembly is installed into the wall and the shelf, the shelf is simply rotated into a concealed "tooth" along the aluminum rail that corresponds to a groove in the bottom of the shelf. Exact weight capacity depends on the wall construction and the method of installation. Refer to page 303 for load capacities.

All shelves are available in standard Nienkämper wood veneers and stains. The standard finish for the anodized aluminum bracket is silver. The wire is stainless steel. Refer to pages 8 & 12 for wood and aluminum finish options.



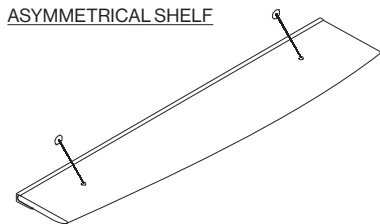
STRAIGHT SHELF

Model Number	L" x	D" x	H"	List Price
<b>29216</b>	<b>36</b>	<b>12 ½</b>	<b>1 ¾</b>	<b>2,005</b>
29217	48	12 ½	1 ¾	2,170
<b>29218</b>	<b>60</b>	<b>12 ½</b>	<b>1 ¾</b>	<b>2,360</b>
29226	72	12 ½	1 ¾	2,500
<b>29227</b>	<b>84</b>	<b>12 ½</b>	<b>1 ¾</b>	<b>2,660</b>
29228	96	12 ½	1 ¾	2,845



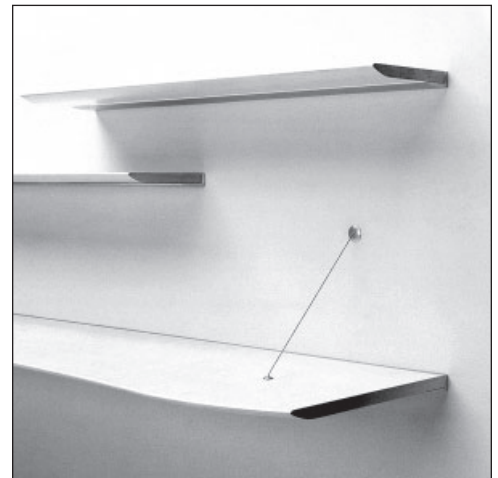
RADIUS SHELF

<b>29236</b>	<b>36</b>	<b>(11) 12 ½</b>	<b>1 ¾</b>	<b>2,185</b>
29237	48	(11) 12 ½	1 ¾	2,360
<b>29238</b>	<b>60</b>	<b>(11) 12 ½</b>	<b>1 ¾</b>	<b>2,505</b>
29246	72	(11) 12 ½	1 ¾	2,720
<b>29247</b>	<b>84</b>	<b>(11) 12 ½</b>	<b>1 ¾</b>	<b>2,870</b>
29248	96	(11) 12 ½	1 ¾	3,040



ASYMMETRICAL SHELF

<b>29266</b>	<b>36</b>	<b>(11) 12 ½</b>	<b>1 ¾</b>	<b>2,185</b>
29267	48	(11) 12 ½	1 ¾	2,360
<b>29268</b>	<b>60</b>	<b>(11) 12 ½</b>	<b>1 ¾</b>	<b>2,505</b>
29276	72	(11) 12 ½	1 ¾	2,720
<b>29277</b>	<b>84</b>	<b>(11) 12 ½</b>	<b>1 ¾</b>	<b>2,870</b>
29278	96	(11) 12 ½	1 ¾	3,040

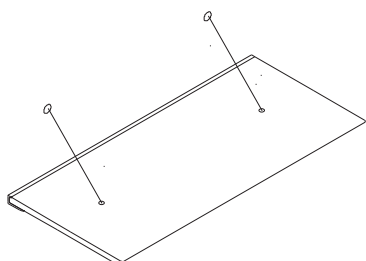


# TANGENT® WORK SURFACE

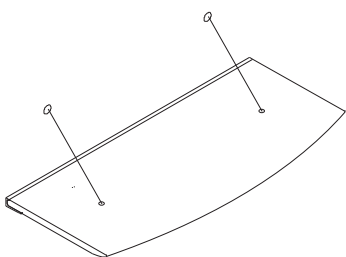
Tangent Work Surfaces provide a unique and effective surface that is considerably deeper than a Tangent Shelf. Great for a small work area where support legs are not an option. Tangent Work Surfaces include a diagonal wire support that allows suspension of the top as well as leveling. Maximum load capacity is 50 lbs. per linear foot. Once the wire assembly is installed into the wall and the work surface, the work surface is simply rotated into a concealed "tooth" along the aluminum rail that corresponds to a groove in the bottom of the shelf. Exact weight capacity depends on the wall construction and the method of installation. Refer to page 317 for load capacities.

All work surfaces are available in standard Nienkämper wood veneers and stains. The standard finish for the anodized aluminum bracket is silver. The wire is stainless steel. Refer to pages 8 & 12 for wood and aluminum finish options.

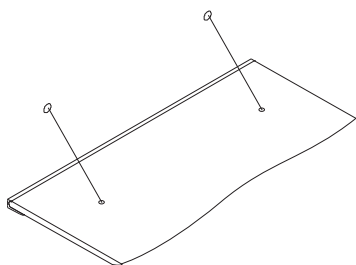
Model Number	L" x	D" x	H"	List Price
<b>STRAIGHT WORK SURFACE</b>				
<b>29260</b>	<b>36</b>	<b>22</b>	<b>1 3/8</b>	<b>2,485</b>
29261	48	22	1 3/8	2,770
<b>29262</b>	<b>60</b>	<b>22</b>	<b>1 3/8</b>	<b>3,060</b>
29263	72	22	1 3/8	3,345
<b>29264</b>	<b>84</b>	<b>22</b>	<b>1 3/8</b>	<b>3,610</b>
29265	96	22	1 3/8	3,875



<b>RADIUS WORK SURFACE</b>				
<b>29270</b>	<b>36</b>	<b>(20) 22</b>	<b>1 3/8</b>	<b>2,720</b>
29271	48	(20) 22	1 3/8	2,995
<b>29272</b>	<b>60</b>	<b>(20) 22</b>	<b>1 3/8</b>	<b>3,265</b>
29273	72	(20) 22	1 3/8	3,580
<b>29274</b>	<b>84</b>	<b>(20) 22</b>	<b>1 3/8</b>	<b>3,840</b>
29275	96	(20) 22	1 3/8	4,110



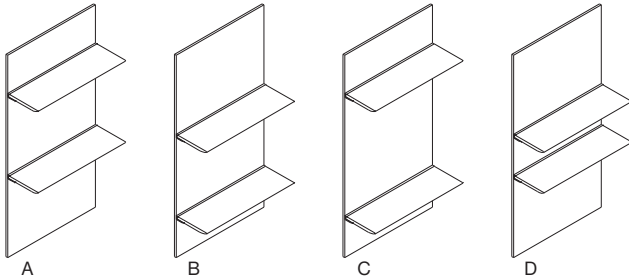
<b>WAVE WORK SURFACE</b>				
<b>29280</b>	<b>36</b>	<b>(20) 22</b>	<b>1 3/8</b>	<b>2,795</b>
29281	48	(20) 22	1 3/8	3,090
<b>29282</b>	<b>60</b>	<b>(20) 22</b>	<b>1 3/8</b>	<b>3,360</b>
29283	72	(20) 22	1 3/8	3,685
<b>29284</b>	<b>84</b>	<b>(20) 22</b>	<b>1 3/8</b>	<b>3,955</b>
29285	96	(20) 22	1 3/8	4,235



# TANGENT® WALL SYSTEM

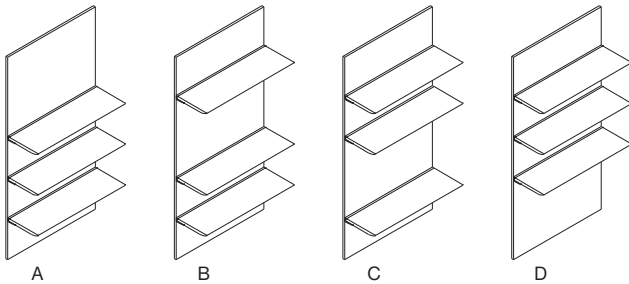
The Tangent Wall System provides the possibility for creating continuous walls of Tangent shelving. The wall panels come in 3 and 4 foot widths and can be joined in any combination with any number of shelves to create a landscape of shelving. As a boardroom, reception area or private office display or bookcase, the Tangent Wall System offers a wide range of possibilities. Because the reinforced wall is part of the system, this product has extremely high load capacities. When Tangent Wall Systems are combined, Nienkämper will automatically substitute full 6', 7' or 8' continuous shelving elements where possible thereby limiting the number of seams along any given assembly. All wall systems, including shelving, are available in standard Nienkämper wood veneers and stains. The standard finish for the anodized aluminum bracket is silver. Refer to pages 8 & 12 for wood and aluminum finish options.

## TWO SHELF WALL



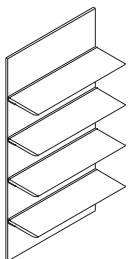
Model Number	L" x	D" x	H"	List Price
<b>29294-A</b>	<b>36</b>	<b>14</b>	<b>72</b>	<b>4,340</b>
29294-B	36	14	72	4,340
<b>29294-C</b>	<b>36</b>	<b>14</b>	<b>72</b>	<b>4,340</b>
29294-D	36	14	72	4,340
<b>29295-A</b>	<b>48</b>	<b>14</b>	<b>72</b>	<b>5,180</b>
29295-B	48	14	72	5,180
<b>29295-C</b>	<b>48</b>	<b>14</b>	<b>72</b>	<b>5,180</b>
29295-D	48	14	72	5,180

## THREE SHELF WALL



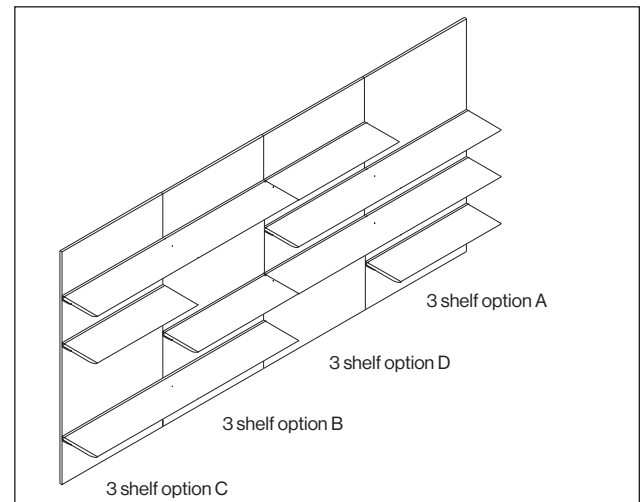
<b>29292-A</b>	<b>36</b>	<b>14</b>	<b>72</b>	<b>5,445</b>
29292-B	36	14	72	5,445
<b>29292-C</b>	<b>36</b>	<b>14</b>	<b>72</b>	<b>5,445</b>
29292-D	36	14	72	5,445
<b>29293-A</b>	<b>48</b>	<b>14</b>	<b>72</b>	<b>6,415</b>
29293-B	48	14	72	6,415
<b>29293-C</b>	<b>48</b>	<b>14</b>	<b>72</b>	<b>6,415</b>
29293-D	48	14	72	6,415

## FOUR SHELF WALL



29290	36	14	72	6,505
29291	48	14	72	7,625

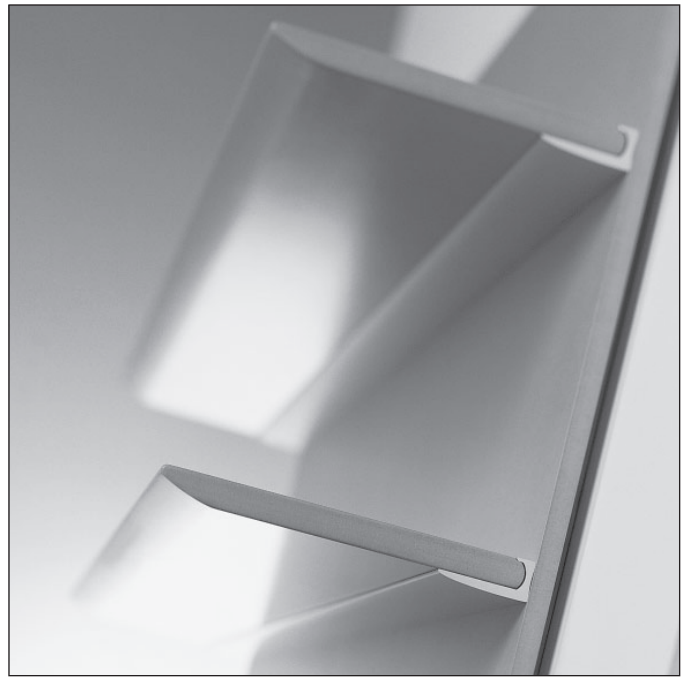
Combining elements creates continuous walls, see example below.



# TANGENT® WALL SYSTEM - PHOTOGRAPHS

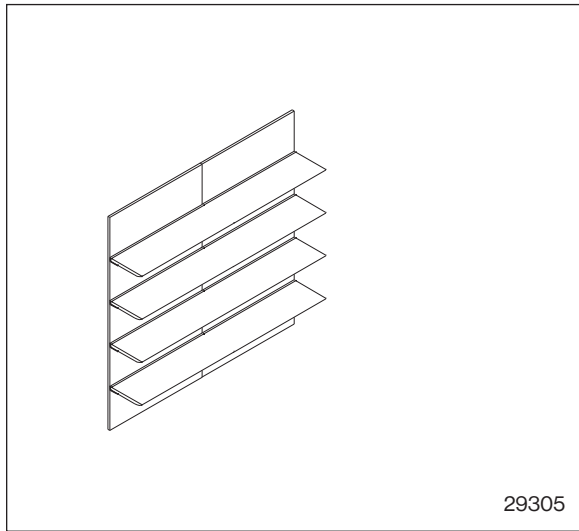
---

Tangent Shelves Mounted to Wall System





# TANGENT® WALL SYSTEM LAYOUTS



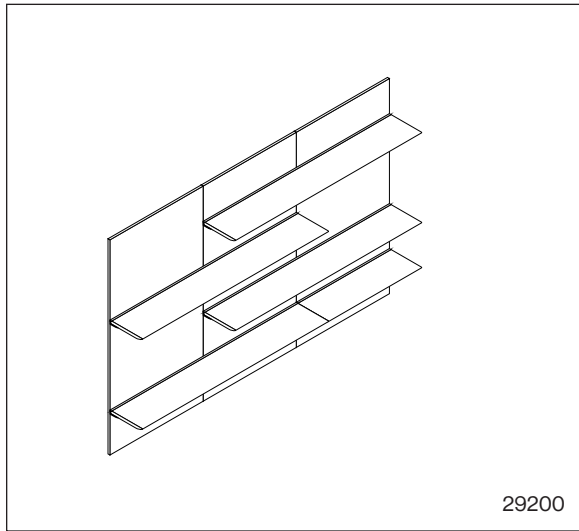
Model Number	Description	List Price
--------------	-------------	------------

**32" of shelving on 8" of wall panels**

**96" L x 14" D x 72" H**

<b>29305/1A All Wood Silver Anodized Shelf Bracket</b>	<b>14,030</b>
--	---------------

29305/3A All Natural MDF Silver Anodized Shelf Bracket	12,015
--	--------

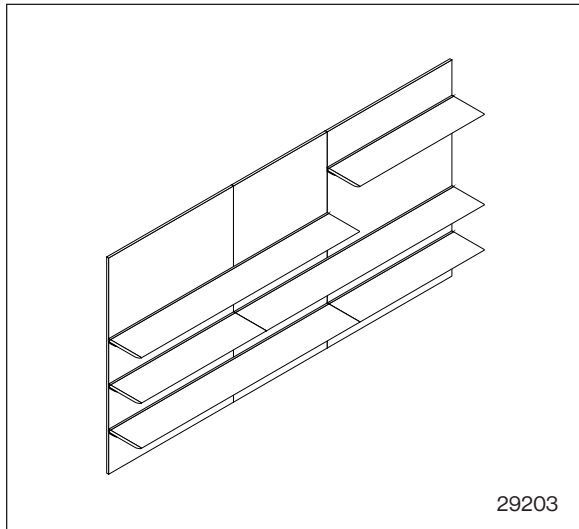


**27" of shelving on 9" of wall panels**

**108" L x 14" D x 72" H**

<b>29200/1A All Wood Silver Anodized Shelf Bracket</b>	<b>13,720</b>
--	---------------

29200/3A All Natural MDF Silver Anodized Shelf Bracket	12,270
--	--------



**33" of shelving on 11" of wall panels**

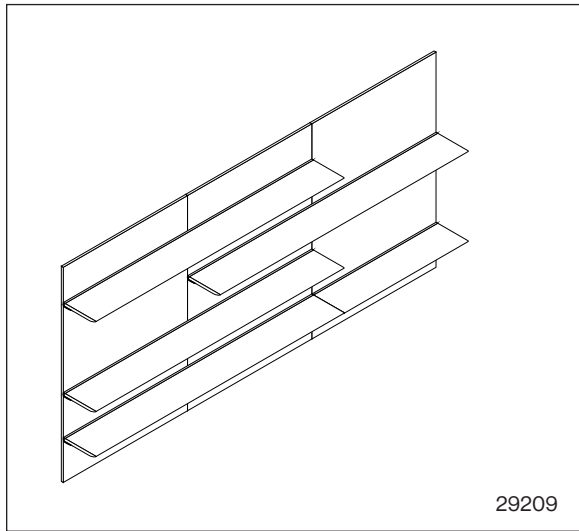
**132" L x 14" D x 72" H**

<b>29203/1A All Wood Silver Anodized Shelf Bracket</b>	<b>16,305</b>
--	---------------

29203/3A All Natural MDF Silver Anodized Shelf Bracket	14,240
--	--------

Note: shelf brackets are available in Silver, Champagne, Light Bronze, Bronze and Black anodized aluminum finishes (see page 12).

# TANGENT® WALL SYSTEM LAYOUTS



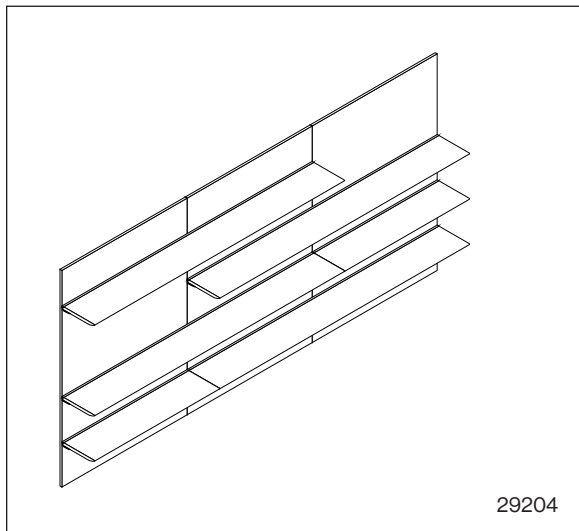
Model Number	Description	List Price
--------------	-------------	------------

**36" of shelving on 12" of wall panels**

**144" L x 14" D x 72" H**

<b>29209/1A All Wood Silver Anodized Shelf Bracket</b>	<b>16,645</b>
--	---------------

29209/3A All Natural MDF Silver Anodized Shelf Bracket	14,455
--	--------

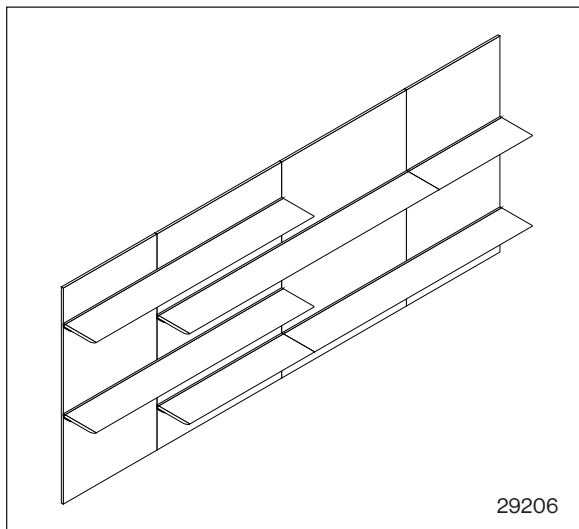


**40" of shelving on 12" of wall panels**

**144" L x 14" D x 72" H**

<b>29204/1A All Wood Silver Anodized Shelf Bracket</b>	<b>17,890</b>
--	---------------

29204/3A All Natural MDF Silver Anodized Shelf Bracket	15,480
--	--------



**36" of shelving on 14" of wall panels**

**168" L x 14" D x 72" H**

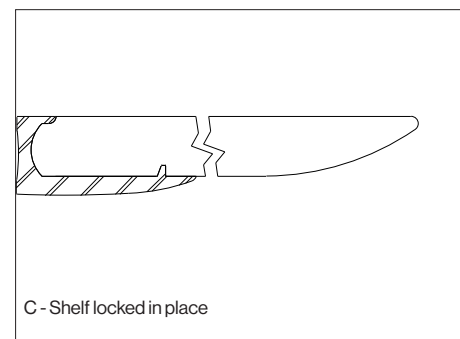
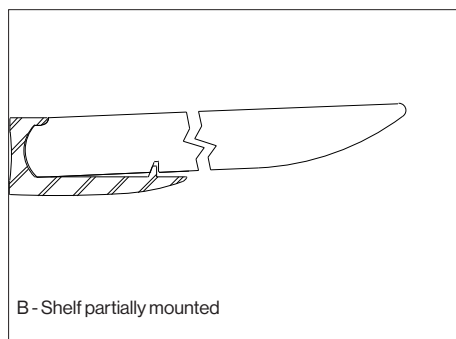
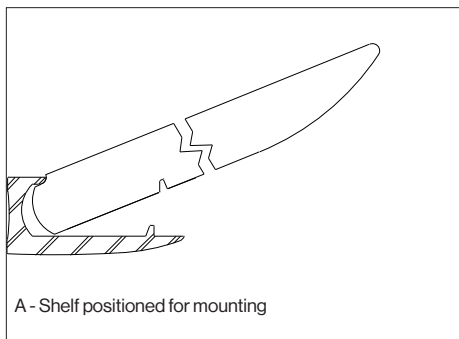
<b>29206/1A All Wood Silver Anodized Shelf Bracket</b>	<b>18,915</b>
--	---------------

29206/3A All Natural MDF Silver Anodized Shelf Bracket	16,615
--	--------

Note: shelf brackets are available in Silver, Champagne, Light Bronze, Bronze and Black anodized finishes.

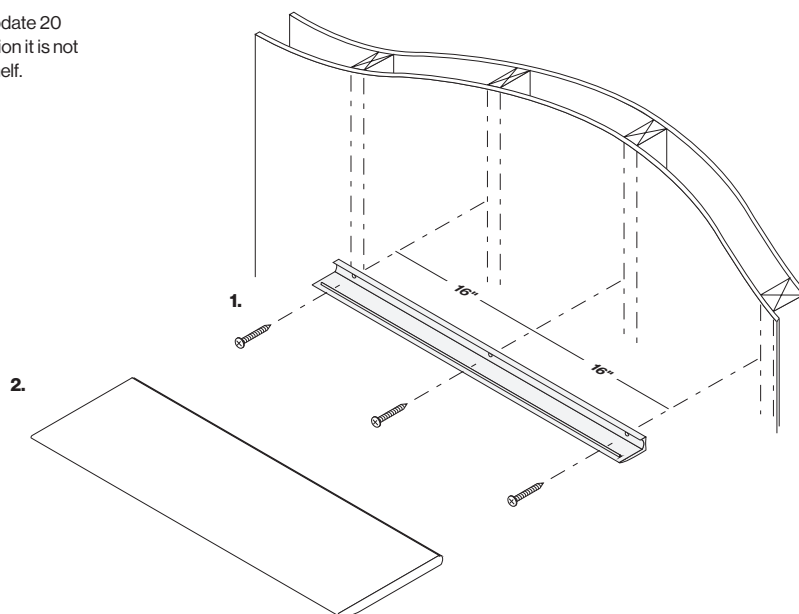
# INSTALLATION

## TANGENT<sup>™</sup> SHELVES



### IMPORTANT!

This installation method will accommodate 20 lbs. per linear foot load. In this application it is not considered a bookcase but a display shelf.



### Installation for wood stud walls

1. Shelving extrusion attaches to wooden wall studs with supplied (2<sup>3</sup>/<sub>4</sub>" #10) wood screws. A 1/8" pilot hole must be drilled before inserting screws.
2. Shelf inserts into extrusion at an angle then drops into position, see drawings A - C.

### Installation for metal stud walls

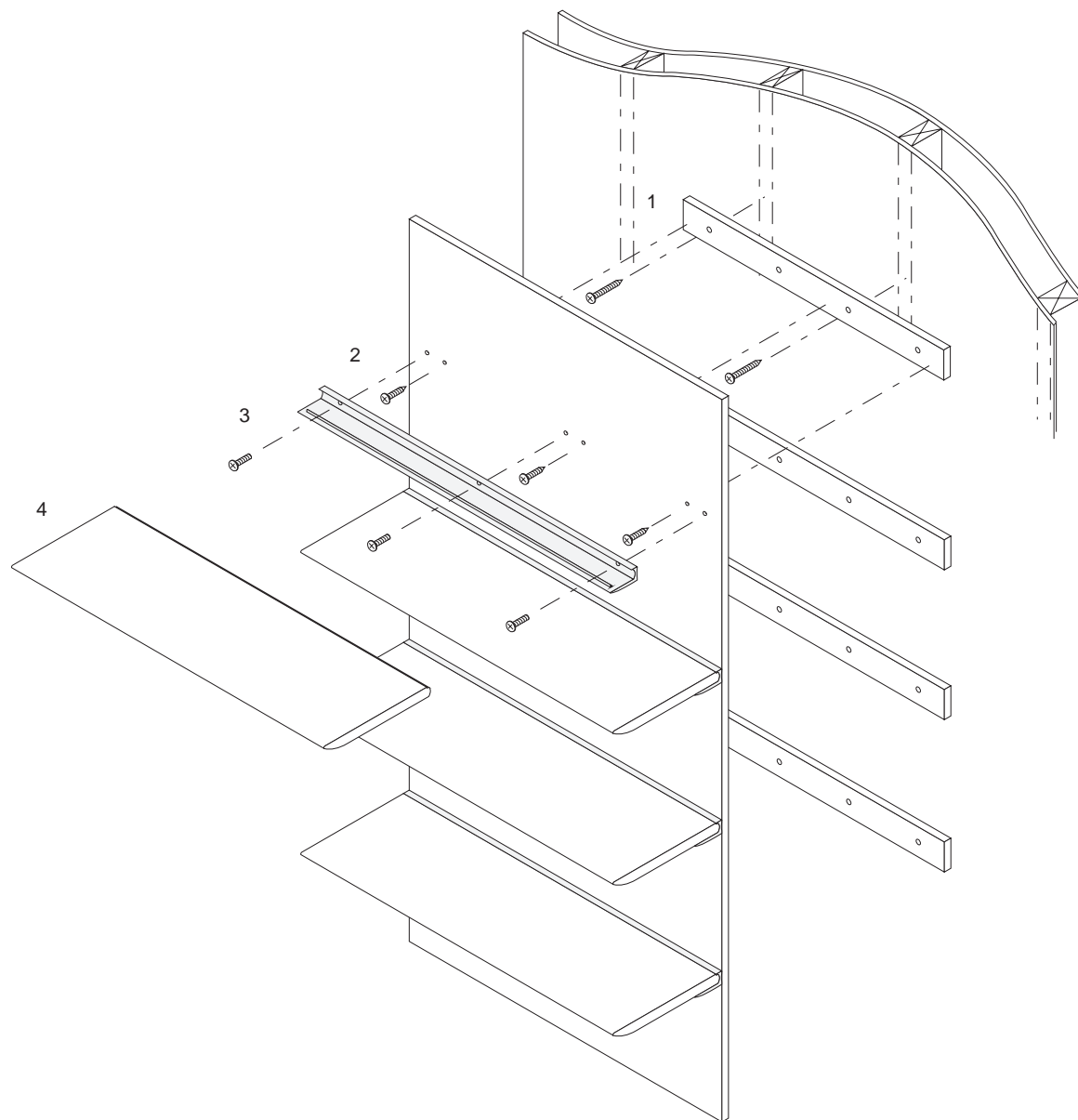
1. Shelving extrusion attaches through drywall to plywood blocking with supplied (1<sup>3</sup>/<sub>4</sub>" #10) Torx head wood screws.
2. Shelf inserts into extrusion at an angle then drops into position, see drawings A - C.

### Important!

For best results, plywood blocking is recommended for new construction.

# INSTALLATION

## TANGENT<sup>SM</sup> SHELVES



### Installation for wood stud walls

1. 3/4" plywood blocking attaches to drywall and wooden studs with supplied (2 3/4" #10) wood screws.
2. Shelving panel attaches to wood strips with supplied (1 3/4" #10) wood screws.
3. Shelving extrusion attaches into pre-installed T-nuts in shelving panel with supplied (10 - 24 x 7/8") Allen head machine screws (for best results, these machine screws should be re-torqued after 60 minutes).
4. Shelf inserts into extrusion at an angle then drops into position. See drawings A - C on page 315.

### Installation for metal stud walls

1. 3/4" plywood strips attach to drywall and metal studs with panel adhesive and drywall screws.
2. Panel attaches to wood blocking with supplied (1 3/4" #10) wood screws.
3. Shelving extrusion attaches into pre-installed T-nuts in panel with supplied (10 - 24 x 7/8") Allen head machine screws (for best results, these machine screws should be re-torqued after 60 minutes).
4. Shelf inserts into extrusion at an angle then drops into position. See drawings A - C on page 315.

Important!

For best results, plywood blocking is recommended for new construction.

# RECOMMENDED LOAD CAPACITIES

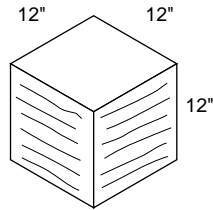
TANGENT<sup>®</sup>

The following information was gathered through a sequence of engineered tests to determine the static loads for shelving in this price guide. These tests establish capacity for shelving, given a complete and competent installation as outlined on pages 315-316.

General commercial building codes require wall construction to be no less than steel studding at 24" centers.

To achieve best results in new construction,  $\frac{3}{4}$ " thick fir plywood blocking should be installed between these metal studs.

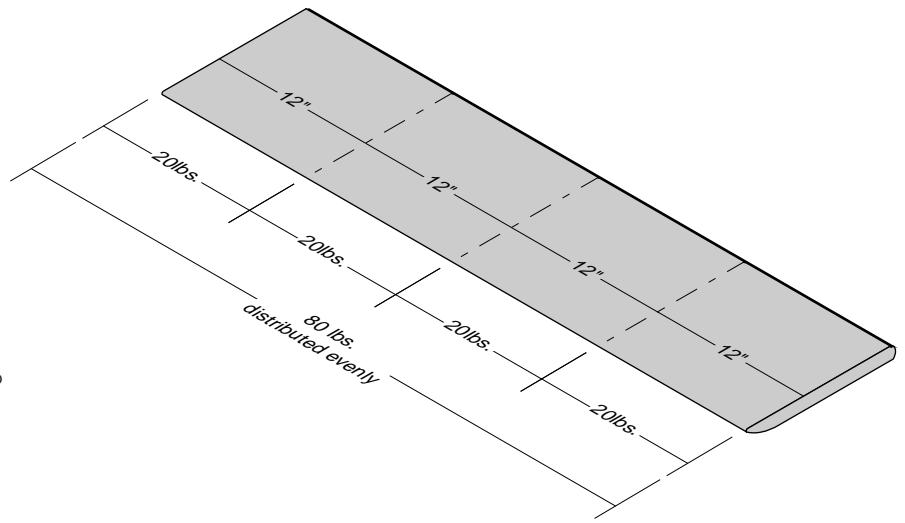
For your reference



1 cubic foot of printer paper weighs approximately 48 lbs.

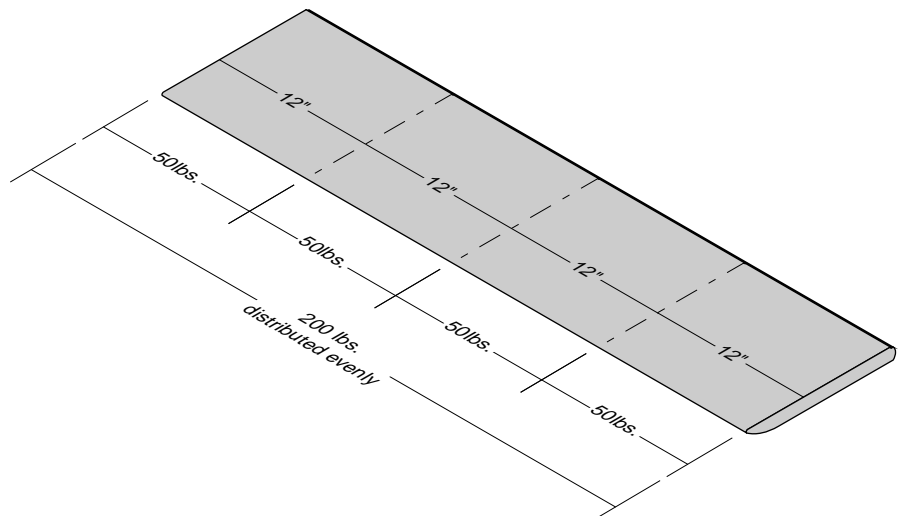
## MAXIMUM SHELF LOAD CAPACITY

The maximum load capacity for a properly mounted shelf bracket and shelf is 20 lbs. per linear foot. Adding a diagonal wire support substantially increases the capacity of the shelf.



## MAXIMUM WALL/SYSTEM WORK SURFACE LOAD CAPACITY

The maximum load capacity for a shelf properly mounted to a wall system is 50 lbs. per linear foot, meaning a 4' shelf can hold up to 200 lbs. distributed evenly across the shelf.





# GLASS WALL BOARD

Model Number	L" x D" x H"	List Price	Product Description
--------------	--------------	------------	---------------------

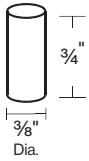
## GLASS WALL BOARD



<b>52021</b>	<b>47 3/16" x 3/4" x 43 1/4"</b>	<b>3,985</b>
52022	57 1/2" x 3/4" x 43 1/4"	4,680
<b>52023</b>	<b>76 1/2" x 3/4" x 43 1/4"</b>	<b>5,965</b>

The Glass Wall Board is low-iron tempered glass back painted white, with silver anodized aluminum low profile trim. Integrated wall cleat mounts tight to wall with no gap. The surface is both dry-marker erasable and magnetic.

## GLASS WALL BOARD MAGNETS



52024	145
Set of 4	

- Magnets are particularly strong and specifically for glass wall boards.
- Chrome finish

# TERMS AND CONDITIONS OF SALE

---

## PRICES

All prices are list prices, freight included, blanket-wrapped, dock delivered, from the manufacturing source to any location in the contiguous United States.

Brokerage is paid by Nienkämper for product shipped to the United States.

Due to existing conditions in regard to cost of labor and materials, we reserve the right to change prices without notice.

## TERMS

Net 30 days from date of invoice to accredited buyers. Two per cent (2%) interest charged monthly on overdue accounts. Deposit of 50% is required with order. Terms will be established upon credit evaluation. Due to delays in processing references, first orders may be treated as C.B.D. orders.

## ORDER CONFIRMATION

Orders are accepted upon issuance of our order confirmation and are subject to the terms set forth therein; notwithstanding any variance from the terms of the buyer's order form.

Nienkämper is not liable for any delay or failure to deliver caused by labor or transportation difficulties, accidents, acts of God, failure of sources of supply, or other causes beyond our control, and changes will affect the delivery date.

## CHANGE OF ORDERS OR CANCELLATIONS

Changes or cancellations are subject to our ability to conform. A charge will be levied against cancelled or changed orders based on costs already incurred by Nienkämper. All changes must be in writing and submitted on a revised purchase order. Changes will affect the delivery date.

## STORAGE

If goods cannot be accepted when ready, we may transfer them to storage (which is to be deemed as delivery for invoice purposes). The customer accepts risks and will be charged at prevailing rates.

## FREIGHT

Prices include freight charges, blanket-wrapped, dock delivered, from the manufacturing source to any location in the contiguous United States. Packing and/or crating are available, if required, upcharges apply.

## CLAIMS

All furniture is given to the carrier and signed for in good condition. It is the responsibility of the receiver to sign for the goods in the presence of the carrier and note the condition in which they are received. Freight claims should be filed with the carrier.

## WARRANTY

There are no express or implied warranties, conditions and obligations of the manufacturer, whether statutory or otherwise that extend beyond the description on the face hereof. Our furniture is made to the highest standard and is warranted free from defects of material and workmanship for five years from the date of delivery. During the warranty period we will repair or replace such merchandise as shall prove to be defective, during normal usage in accordance with manufacturer's specifications. The manufacturer shall not be liable for defect wholly attributable to normal manufacturing process. Replacement or repair of the Product shall be the sole remedy of the Customer, and the manufacturer shall not be liable for any direct, indirect, incidental, or consequential loss or damage suffered by the Customer by reason of any defect in workmanship or manufacture of the Product or inability to use the Product. Moreover, this warranty does not cover accidental damage, abuse, alteration, ordinary wear and tear of Goods, negligence and misuse nor variations over which we have no control such as heat or humidity or damage to which the Goods are connected that is not attributable to the failure of the goods themselves. This warranty is null and void when the product is installed with hardware other than that supplied and/or when installed differently than recommended in the installation guide. Modification to the product or hardware may result in failure of the product and cause damage and/or injury.

## WOOD FINISHES

Nienkämper offers a wide variety of standard light finishes on cherry, mahogany and figured anagré wood veneers, and a clear natural finish on figured anagré, figured sycamore, maple, bird's eye maple and curly maple.

Light finishes do not mask the grain and other characteristics of each wood species. It is important to understand that pieces of the same type of wood will not look identical when a light finish is used. The appearance of the finish will also depend on the natural color of the veneer. Cherry darkens over time as the wood ages. Pin knots and gum pockets are inherent traits.

Wood is a naturally variable raw material; its variances are not within the furniture manufacturer's control and are therefore not considered defects under this warranty.