

# nienkämpfer

## CONFERENCE TABLES

NOMAD COLLECTION



2026

Prices include freight charges, blanket wrapped, dock delivered, from the manufacturing source to any location in the contiguous United States. Packing and/or crating are available, if required, upcharges apply.

## veneers

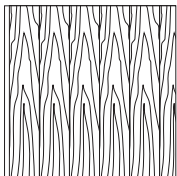
All wood surfaces are protected with a durable polyurethane clear lacquer with UV inhibitor. This finish is known for its exceptional durability, as well as abrasion, chemical, impact and scratch resistance. Standard sheen level is 45 degrees. Optional matte, 5, 10 and 35 degree sheen levels are available on request at no additional cost.

Wood Species	Order Code	Veneer/Stain	Upcharge
Maple	F-01	Natural Maple	No upcharge applies.
	F-02	Natural Curly Maple - Rotary Cut	Add 15%.
	F-03	Natural Bird's Eye Maple - Rotary Cut	Call Customer Service for pricing.
	F-04	Maple Stained Pear	No upcharge applies.
Cherry	F-05	Natural Cherry	No upcharge applies.
	F-06	Standard Cherry	No upcharge applies.
	F-07	Cherry Stained Amber	No upcharge applies.
	F-08	Cherry Stained Auburn	No upcharge applies.
	F-09	Cherry Stained Burgundy	No upcharge applies.
Mahogany	F-10	Light Mahogany	No upcharge applies.
	F-11	Medium Mahogany	No upcharge applies.
	F-12	Dark Mahogany	No upcharge applies.
	F-13	Red Mahogany	No upcharge applies.
Anagre	F-14	Natural Figured Anagre - Qtr. Cut Book-Match	Add 15%.
	F-15	Figured Anagre Stained Amber - Qtr. Cut Book-Match	Add 15%.
Sycamore	F-16	Natural Figured Sycamore - Qtr. Cut Book-Match	Add 15%.
Walnut	F-17	Burnt Walnut	No upcharge applies.
	F-19	Natural Walnut- Flat Cut Book-Match	No upcharge applies.
	F-19FM	Natural Walnut- Flat Cut Book-Match (matte sheen)	No upcharge applies.
	F-27F	Creamy Walnut- Flat Cut Book-Match (10° sheen)	No upcharge applies.
	F-27R	Creamy Walnut - Rift Cut Slip-Match (10° sheen)	Add 5%
	F-28	Tawny Walnut	No upcharge applies.
	F-31FM	Autumn Walnut- Flat Cut Book-Match (matte sheen)	No upcharge applies.
	F-31RM	Autumn Walnut - Rift Cut Slip-Match (matte sheen)	Add 5%
Oak	F-18F	Natural White Oak - Flat Cut Book-Match (10° sheen)	No upcharge applies.
	F-18R	Natural White Oak - Rift Cut Slip-Match (10° sheen)	Add 5%
	F-26	Charcoal Ash On Oak- Flat Cut Book- Match (10° sheen)	No upcharge applies.
	F-29F	Smoky Oak - Flat Cut Book-Match	No upcharge applies.
	F-29R	Smoky Oak - Rift Cut Slip-Match	Add 5%
	F-29FM	Smoky Oak - Flat Cut Book-Match (matte sheen)	No upcharge applies.
	F-29RM	Smoky Oak - Rift Cut Slip-Match (matte sheen)	Add 5%
	F-30FM	Whisper White Oak - Flat Cut Book-Match (matte sheen)	No upcharge applies.
	F-30RM	Whisper White Oak - Rift Cut Slip-Match (matte sheen)	Add 5%
	F-32FM	Cotton White Oak - Flat Cut Book-Match (matte sheen)	No upcharge applies.
F-32RM	Cotton White Oak - Rift Cut Slip-Match (matte sheen)	Add 5%	
Sapele – Ribbon Stripe	F-20	Natural Ribbon Strip Sapele - Qtr. Cut Slip-Match	No upcharge applies.
Moabi (Cherry substitute)	F-21	Natural Moabi - Quarter - Qtr. Cut Book-Match	No upcharge applies.
Cape Coast Walnut	F-22	Dark Cape Coast Walnut - Qtr. Cut Slip-Match	No upcharge applies.
	F-23	Natural Cape Coast Walnut - Qtr. Cut Slip-Match	No upcharge applies.
	F-23	Natural Cape Coast Walnut - Qtr. Cut Slip-Match	No upcharge applies.
Ash	F-25	Slate Gray Ash - Qtr. Cut Slip-Match	No upcharge applies.

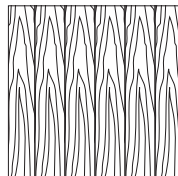
### veneER GRAIN OPTIONS

Nienkämper products utilize the best quality veneers available, and, combined with Nienkämper's patented veneering systems, create work environments of incredible quality and beauty.

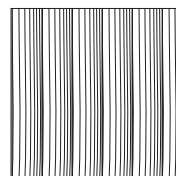
All veneer furniture comes standard with flat cut book-match veneer; flat cut slip-match veneer can also be specified. Quarter cut slip-match and quarter cut book-match veneers are available at a 5% upcharge. Figured Anagre and Figured Sycamore veneers are Quarter cut book-matched. Bird's Eye Maple and Curly Maple are rotary cut. Facet Edge, Taper edge, Flowform, Camber and Self edge tops with veneer are manufactured with a solid wood edge. All edges are then veneer wrapped to create a seamless profile top.



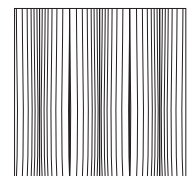
Standard V1  
Flat Cut Book-Match



Flat Cut Slip-Match V2



Quarter Cut Slip-Match V3  
Add 5%



Quarter Cut Book-Match V4  
Add 5%

## P-LAM

### Wood grain plastic laminate surfaces are available on table tops with Facet, Taper and Self edges.

These tops are manufactured with a solid wood edge that is applied prior to the laminate top surface. This method conceals the thickness of the wood edge, while providing the durability required. Wood edges are selected that most closely resemble both the species and the color of the laminate chosen

Nienkämper has pre-selected a number of standard wood grain plastic laminates that represent a cross section of both color and species. Simply include the order code with the model number to make these selections. Alternatively wood grain plastic laminates selected outside of Nienkämper's standard selection can be made by specifying the manufacturer as well as the description and model number of the laminate at the time of order.

Wood Grain Plastic Laminate Surfaces	Order Code	Manufacturer #	Finish
Hardrock Maple	WL2	Pionite WM791-SD	Textured/Suede
Monticello Maple	WL5	Wilsonart 7925-38	Fine Velvet Texture
Fusion Maple	WL13	Wilsonart 7909-60	Matte
New Age Oak	WL14	Wilsonart 7938-38	Fine Velvet Texture
Wild Cherry	WL18	Wilsonart 7054-60	Matte
River Cherry	WL19	Wilsonart 7937-38	Fine Velvet Texture
Montana Walnut	WL20	Wilsonart 7110T-78	Fine Grain
Skyline Walnut	WL26	Wilsonart 7964K-12	Soft Grain
Continental Walnut	WL-29	Wilsonart 8232K-05	Timbergrain
Neo Walnut	WL-30	Wilsonart 7991-38	Fine Velvet Texture
Walnut Heights	WL-31	Wilsonart 7965K-12	Soft Grain
Grayed Oak	WL-32	Formica 5791-PG	Pure Grain Texture
Millennium Oak	WL-33	Formica 5887-58	Matte
Aged Ash	WL-34	Formica 8844-WR	Woodbrush
Lowell Ash	WL-35	Wilsonart 7994-38	Fine Velvet Texture
Natural Ash	WL-36	Formica 8843-WR	Woodbrush
Norwegian Ash	WL-37	Wilsonart 8241-38	Fine Velvet Texture
Weathered Ash	WL-38	Formica 8842-WR	Woodbrush
Smoky Brown Pear	WL-39	Formica 5488-26	Oiled Wood
Studio Teak	WL-40	Wilsonart 7960K-18	Linearity
Fawn Cypress	WL-41	Wilsonart 8208K-16	Casual Rustic
Landmark Wood	WL-42	Wilsonart 7981K-12	Soft Grain
Natural Cerise	WL-43	Formica 8863-58	Matte
Natural Recon	WL-44	Wilsonart 7996-38	Fine Velvet Texture
Pecan Woodline	WL-45	Formica 5883-58	Matte

To specify the wood grain laminate required simply add the Order Code WL\_ to the model number of the product.

Samples and specific technical data is available from your local sales representative or by contacting Nienkämper's Customer Service department at **800.668.9318**.

# P-LAM

## COLORED P-LAM

Both Taper and Self edge profiles are available with a colored laminate top.

**Laminate edging on Taper tops.** Edging will match the top surface and is applied before the surface laminate. By applying the laminate in this way, the seam is positioned horizontally, which makes it much less conspicuous and more durable.

**Wood edging** on Self and Taper Edge tops are applied before the laminate. By applying the wood edge in this way, the wood edge thickness is concealed, while providing the durability required. Wood species and finishes for edging can be selected from page 8.

For laminates specified outside of Nienkämper's standard selection, specify the manufacturer as well as the description and model number of the laminate selected at the time of order. For Facet edge tops, the laminate must be a post-forming grade.

**Translucent edging** on Self and Taper edge tops is applied after the surface laminate. The translucent edge is very durable. Clear translucent edge provides a good match with most white-colored laminates, while a silver translucent edge provides a metallic look and contrast to colored plastic laminates.



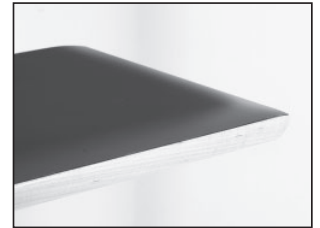
P-Lam top & Self edge



P-Lam top & Translucent Self edge



Wood Grain P-Lam top & silver Translucent Self edge



P-Lam top & solid wood Facet edge

\*An unavoidable, thin dark line will be visible when specifying a matching p.lam edge. This is more pronounced with light colored laminates

Colored Plastic Laminates Surface	Order Code	Manufacturer #	Finish
Gray (Nienkämper - Light Gray/Putty)	CL-01	Wilsonart 1500-60	Matte
Platinum Gray (Nienkämper - Medium Gray/Clay)	CL-02	Nevamar S6023T	Textured
Slate Grey (Nienkämper - Dark Gray)	CL-03	Wilsonart D91-60	Matte
Black	CL-04	Wilsonart 1595-60	Matte
Angel White	CL-05	Pionite SW-826SD	Textured/ Suede
Frosty White	CL-06	Wilsonart 1573-60	Matte
White (for writable surface)	Contact customer service for details 800.668.9318		Gloss

Add the order code behind the edge profile when specifying.

# P-LAM

## FINGERPRINT RESISTANT P-LAM

Fingerprint Resistant Plastic Laminate is an innovative material created for interior design applications and is suitable for both vertical and horizontal interior applications on our Nienkämper furniture.

The external surface of Fingerprint Resistant Plastic Laminate involves the use of nanotechnology made possible by next generation acrylic resins.

The unique composition offers extraordinary features coupled with a unique user experience. These include an ultra matte surface (eliminating glare), an ultra sofa feel, an anti-fingerprint surface, thermal healing of micro-scratches, increased durability as well as anti-bacterial and mold-resistant properties.

**Edgeband** matching all Fingerprint Resistant Plastic Laminate colors is only available when specifying a Taper edge. For Self edge tops 1" and 1 1/4" thick, matching edgeband are only available in Black (RL-01) and White (RL-03). When a matching edgeband is not available, the specified surface laminate is used on the edge. **Contact Customer Service for more details 800.668-9318.**

There is a 20% upcharge on our standard plastic laminate table pricing for Fingerprint Resistant Plastic Laminate.

Colored "Fingerprint Resistant" Plastic Laminate Surface	Order Code	Finish
Black	RL-01	Matte
Gray	RL-02	Matte
White	RL-03	Matte
Sand	RL-04	Matte
Brown	RL-05	Matte
Clay	RL-06	Matte
Beige	RL-07	Matte
Ash	RL-08	Matte
Smoke	RL-09	Matte

Edgeband to Match with Colored "Fingerprint Resistant" Plastic Laminate	Thickness	Order Code
Black	3/4", 1", 1-1/4"	RE-01
Gray	3/4"	RE-02
White	3/4", 1", 1-1/4"	RE-03
Sand	3/4"	RE-04
Brown	3/4"	RE-05
Clay	3/4"	RE-06
Beige	3/4"	RE-07
Ash	3/4"	RE-08
Smoke	3/4"	RE-09

## Powder Coat Paint Finish

Powder coat paint is a premium finish used for its exceptional durability and refined appearance. Applied as a dry powder and cured under heat, it forms a tough, uniform surface that resists chipping, scratching, and fading—ideal for commercial environments. Nienkämper offers a curated palette of 18 color variations to suit any project.



PC-01 Nienkämper Silver



PC-02 Champagne



PC-03 Light Bronze



PC-04 Standard (Dark) Bronze



PC-05 Metallic Silver



PC-06 Black Jack



PC-07 Warm White



PC-09 Red



PC-12 Cool White



PC-14 Pure Orange



PC-16 Lime



PC-17 Sky Blue



PC-18 Cobalt Blue



PC-22 Charcoal Gray (Matte)



PC-24 Matte Red Clay



PC-25 Cream



PC-26 Mulberry (Matte)



PC-27 Forest Green (Matte)



PC-28 Mustard (Matte)

# NOMAD® TABLES

## BASE, SURFACE & EDGE DETAILS

Design - Charles Godbout & Luc Plante

The Nomad® Table is a performance-focused workhorse designed to perform seamlessly across a variety of environments—from formal conference rooms to collaborative meeting spaces and open office plans. With its clean, linear profile and contemporary aesthetic, Nomad brings versatility and refined simplicity to any workspace.

Built for everyday performance, Nomad tables deliver exceptional quality and functionality, offering the same integrated power and connectivity solutions that define Nienkämper's commitment to design and innovation

### Top Shapes

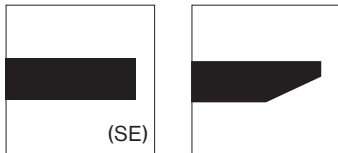
Tops are 1" thick and are available in three different shapes.



### Top Finishes

All standard Nienkämper veneer and laminates.

### Edge Details



1" thick  
Self Edge (SE)

1" thick  
Nomad® Taper Edge

### Sizes

Nomad® conference tables are 29"h and available in sizes:

**Width:** 42", 48", 54", 60"

**Length:** 60", 72", 84", 96", 108", 120", 132", 144", 156", 168", 180", 192", 204", 216", 228", 240"

Conference tables with multi-section tops include one or two center bases depending on length.

Nomad® training tables are 29"h and available in sizes:













**Width:** 30", 36"

**Length:** 60", 72", 84", 96"

\* 24" depth available by special requesting. Contact Nienkämper Customer Service for details at **800.668.9318**.

### Base Finish Options

Nomad® Table bases are available in either mirror polished or a variety of powder coat paint finish, see below options.

 Aluminum Polished / AL-07	 Nienkämper Silver / PC-01
 Cool White / PC-12	 Sky Blue / PC-17
 Mustard / PC-28	 Cobalt Blue / PC-18
 Pure Orange / PC-14	 Black / PC-06
 Red / PC-09	 Charcoal Gray / PC-22
 Forest Green / PC-27	
 Lime / PC-16	

\*Additional colors are available upon request, see [www.nienkamper.com](http://www.nienkamper.com) for a complete list.

### Stretcher Rails Finish Options

The standard Nomad® Table stretcher rail finish is silver-anodized aluminum (AL-01), used with both mirror-polished and powder-coat bases. Matching the stretcher rails to the base powder-coat finish adds a 5% upcharge to the table's list price.



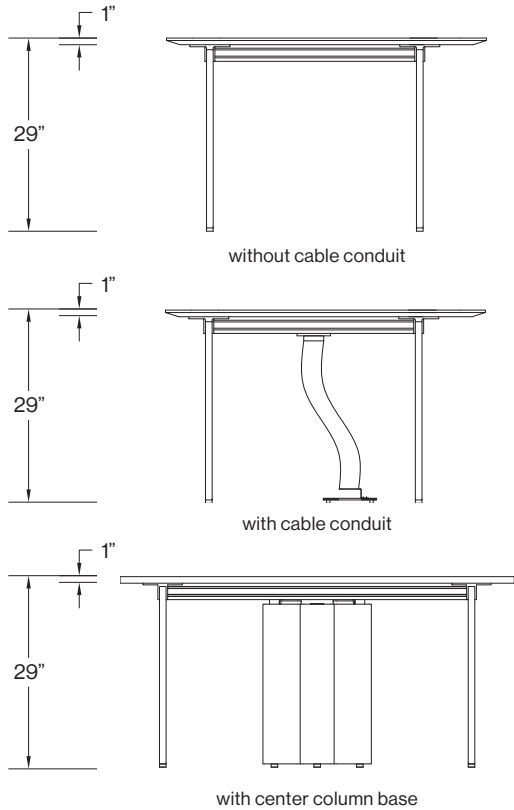
Vibrantly colored stretcher rails matched to Nomad® bases create a bold, architectural look with clean lines below the surface.

# NOMAD® TABLES

## CONNECTIVITY & WIRE MANAGEMENT

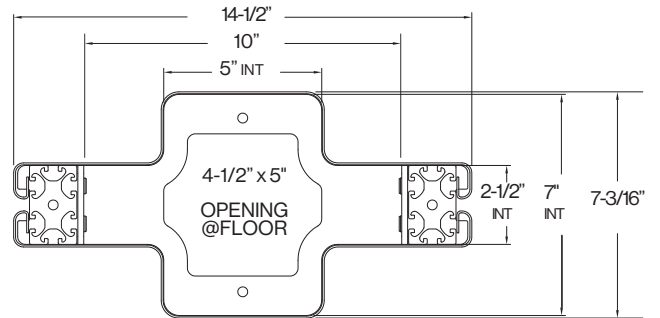
Design - Charles Godbout & Luc Plante

### Side Elevation of Table

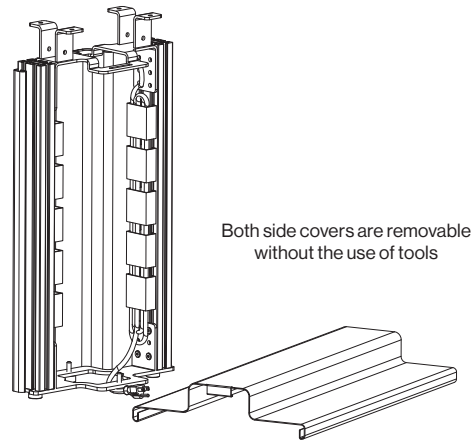


### Center Column Base

The Nomad® table's center column base provides an internal pathway for cable storage and pass-through. The standard finish for the center base is silver powder-coat (PC-01). Other powder-coat colors are available for an upcharge of \$250 list per base.



Plan View of Center Column base



### Power & Connectivity

Connectivity and power solutions for the Nomad® Table include Vox® M-Series, Double-Sided, SIMPLE, and SIMPLE PopUp Forums. When Forums are specified on tables without a center base, Vox® Cable Conduits provide a clean path to route cables to the floor. Conduits sold separately.



Vox® M-Series Forum



Vox® Double Sided Forum



Vox®SIMPLE PopUp Forum



Vox® SIMPLE Forum

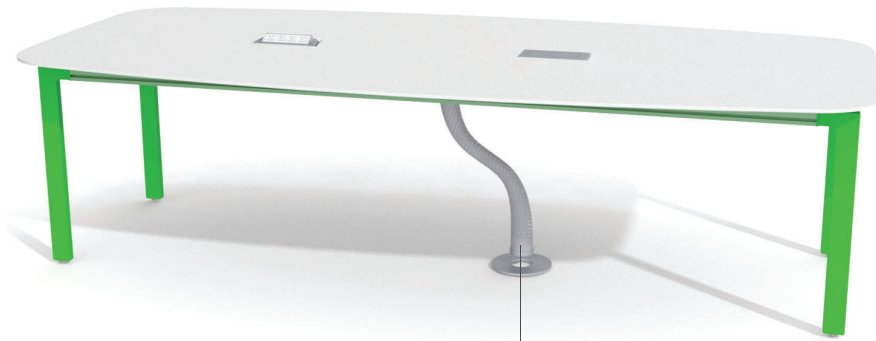


# NOMAD® TABLES

## CENTER COLUMN BASE & CABLE CONDUIT DETAILS Design - Charles Godbout & Luc Plante

### Table with Cable Conduit

---



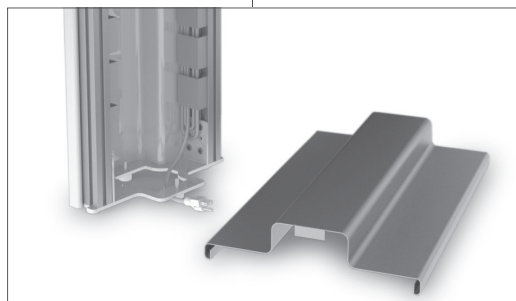
Expandable cable conduit

Linked cable conduit

Cables from Vox® Forums or SIMPLE Forums are directed to the floor with either an expandable or linked cable conduit. Both solutions accommodate core drills with their large base ring. Wire capacity is 2"-4" dia for the expandable cable conduit and eighteen 16 GA cables for the linked. Both models available in black, silver or clear color options.

### Table with Center Column Base

---



Center column base

Cables from Vox® Forums or SIMPLE Forums are directed to the floor through center column base(s) for multi section tops.



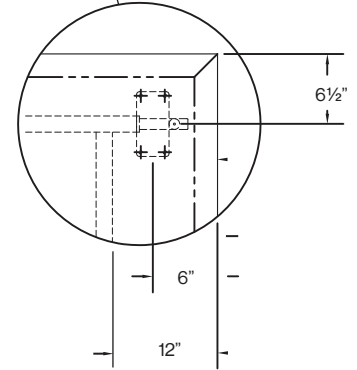
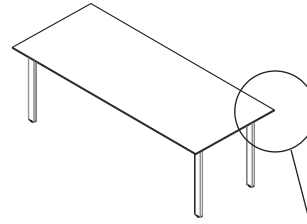
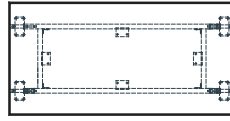
1" thick top, 29" H



25 Degree Taper  
Edge (TE)



Self Edge (SE)



L"	X	D"	Sugg Seat Capacity	Top Finish	Top Sections	POLISHED ALUMINUM BASE		POWDER COAT BASE	
						Model Number	List Price	Model Number	List Price
60	30	4-6	Veneer	1	55577/2	3,325	55571/2	3,685	
<b>60</b>	<b>30</b>	<b>4-6</b>	<b>Laminate</b>	<b>1</b>	<b>55577/5</b>	<b>2,695</b>	<b>55571/5</b>	<b>3,040</b>	
60	36	4-6	Veneer	1	55578/2	3,640	55572/2	3,990	
<b>60</b>	<b>36</b>	<b>4-6</b>	<b>Laminate</b>	<b>1</b>	<b>55578/5</b>	<b>2,830</b>	<b>55572/5</b>	<b>3,185</b>	
72	30	4-6	Veneer	1	55579/2	3,775	55573/2	4,135	
<b>72</b>	<b>30</b>	<b>4-6</b>	<b>Laminate</b>	<b>1</b>	<b>55579/5</b>	<b>2,965</b>	<b>55573/5</b>	<b>3,320</b>	
72	36	4-6	Veneer	1	55580/2	4,090	55574/2	4,445	
<b>72</b>	<b>36</b>	<b>4-6</b>	<b>Laminate</b>	<b>1</b>	<b>55580/5</b>	<b>3,120</b>	<b>55574/5</b>	<b>3,475</b>	
84	30	6-8	Veneer	1	55581/2	4,150	55575/2	4,495	
<b>84</b>	<b>30</b>	<b>6-8</b>	<b>Laminate</b>	<b>1</b>	<b>55581/5</b>	<b>3,185</b>	<b>55575/5</b>	<b>3,520</b>	
84	36	6-8	Veneer	1	55582/2	4,375	55576/2	4,725	
<b>84</b>	<b>36</b>	<b>6-8</b>	<b>Laminate</b>	<b>1</b>	<b>55582/5</b>	<b>3,390</b>	<b>55576/5</b>	<b>3,735</b>	
96	30	6-8	Veneer	1					
<b>96</b>	<b>30</b>	<b>6-8</b>	<b>Laminate</b>	<b>1</b>					
96	36	6-8	Veneer	1	55525/2	4,830	55510/2	5,180	
<b>96</b>	<b>36</b>	<b>6-8</b>	<b>Laminate</b>	<b>1</b>	<b>55525/5</b>	<b>3,690</b>	<b>55510/5</b>	<b>4,040</b>	

**Standard Features:**

- Tops are 1" thick and available in all Nienkämper standard veneers and plastic laminates.
- A 25-degree taper and self-edge option are available.
- Table legs are die-cast aluminum, finished in either mirror polish or powder-coat paint.
- All tables with multi-piece tops include a center base with lift-off access panels. The typical finish for the center base is silver paint when paired with mirror-polished legs, or a powder-coat match when painted.
- Stretcher rails come standard in a silver-anodized finish, with the option to match the leg paint color for an upcharge.
- Tables are compatible with most Nienkämper integrated connectivity and power solutions.

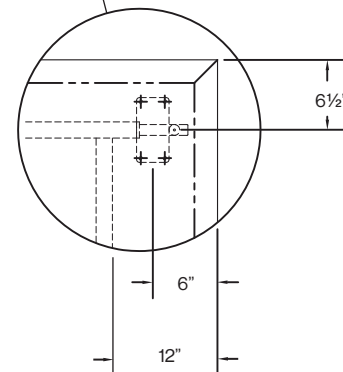
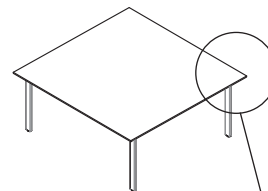
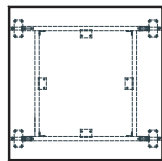
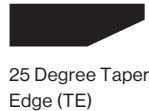


# NOMAD® TABLES

**SQUARE SHAPE** Design - Charles Godbout & Luc Plante



1" thick top, 29" H



L"	X	D"	Sugg Seat Capacity	Top Finish	Top Sections	POLISHED ALUMINUM BASE		POWDER COAT BASE	
						Model Number	List Price	Model Number	List Price
42	42	2-4	Veneer	1	55564/2	3,450	55561/2	3,810	
<b>42</b>	<b>42</b>	<b>2-4</b>	<b>Laminate</b>	<b>1</b>	<b>55564/5</b>	<b>2,925</b>	<b>55561/5</b>	<b>3,280</b>	
48	48	2-4	Veneer	1	55565/2	3,880	55562/2	4,240	
<b>48</b>	<b>48</b>	<b>2-4</b>	<b>Laminate</b>	<b>1</b>	<b>55565/5</b>	<b>3,265</b>	<b>55562/5</b>	<b>3,615</b>	
54	54	4-6	Veneer	1	55566/2	4,770	55563/2	5,115	
<b>54</b>	<b>54</b>	<b>4-6</b>	<b>Laminate</b>	<b>1</b>	<b>55566/5</b>	<b>3,895</b>	<b>55563/5</b>	<b>4,245</b>	
60	60	4-6	Veneer	1					
<b>60</b>	<b>60</b>	<b>4-6</b>	<b>Laminate</b>	<b>1</b>					

**Standard Features:**

- Tops are 1" thick and available in all Nienkämper standard veneers and plastic laminates.
- A 25-degree taper and self-edge option are available.
- Table legs are die-cast aluminum, finished in either mirror polish or powder-coat paint.
- All tables with multi-piece tops include a center base with lift-off access panels. The typical finish for the center base is silver paint when paired with mirror-polished legs, or a powder-coat match when painted.
- Stretcher rails come standard in a silver-anodized finish, with the option to match the leg paint color for an upcharge.
- Tables are compatible with most Nienkämper integrated connectivity and power solutions.



# NOMAD® TABLES

## RECTANGULAR SHAPE CONFERENCE

Design - Charles Godbout & Luc Plante



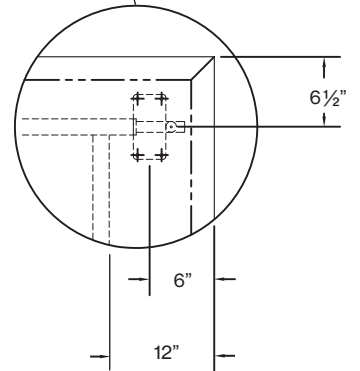
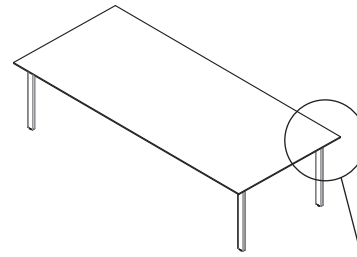
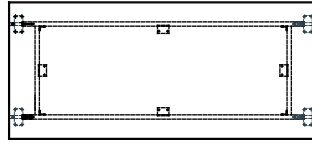
1" thick top, 29" H



25 Degree Taper Edge (TE)



Self Edge (SE)



L"	X	D"	Sugg Seat Capacity	Top Finish	Top Sections	POLISHED ALUMINUM BASE		POWDER COAT BASE	
						Model Number	List Price	Model Number	List Price
60	42	4-6		Veneer	1	55517/2	3,955	55502/2	4,315
<b>60</b>	<b>42</b>	<b>4-6</b>		<b>Laminate</b>	<b>1</b>	<b>55517/5</b>	<b>3,030</b>	<b>55502/5</b>	<b>3,380</b>
60	48	4-6		Veneer	1	55518/2	4,275	55503/2	4,620
<b>60</b>	<b>48</b>	<b>4-6</b>		<b>Laminate</b>	<b>1</b>	<b>55518/5</b>	<b>3,220</b>	<b>55503/5</b>	<b>3,580</b>
72	42	4-6		Veneer	1	55520/2	4,460	55505/2	4,805
<b>72</b>	<b>42</b>	<b>4-6</b>		<b>Laminate</b>	<b>1</b>	<b>55520/5</b>	<b>3,335</b>	<b>55505/5</b>	<b>3,695</b>
72	48	4-6		Veneer	1	55521/2	4,825	55506/2	4,770
<b>72</b>	<b>48</b>	<b>4-6</b>		<b>Laminate</b>	<b>1</b>	<b>55521/5</b>	<b>3,555</b>	<b>55506/5</b>	<b>3,915</b>
84	42	6-8		Veneer	1	55523/2	4,865	55508/2	5,215
<b>84</b>	<b>42</b>	<b>6-8</b>		<b>Laminate</b>	<b>1</b>	<b>55523/5</b>	<b>3,685</b>	<b>55508/5</b>	<b>4,035</b>
84	48	6-8		Veneer	1	55524/2	5,325	55509/2	5,690
<b>84</b>	<b>48</b>	<b>6-8</b>		<b>Laminate</b>	<b>1</b>	<b>55524/5</b>	<b>3,960</b>	<b>55509/5</b>	<b>4,325</b>
96	42	6-8		Veneer	1	55526/2	5,245	55511/2	5,590
<b>96</b>	<b>42</b>	<b>6-8</b>		<b>Laminate</b>	<b>1</b>	<b>55526/5</b>	<b>3,950</b>	<b>55511/5</b>	<b>4,300</b>
96	48	6-8		Veneer	1	55527/2	5,555	55512/2	5,910
<b>96</b>	<b>48</b>	<b>6-8</b>		<b>Laminate</b>	<b>1</b>	<b>55527/5</b>	<b>4,215</b>	<b>55512/5</b>	<b>4,565</b>
108	42	8-10		Veneer	2	55528/2	5,750	55513/2	6,105
<b>108</b>	<b>42</b>	<b>8-10</b>		<b>Laminate</b>	<b>2</b>	<b>55528/5</b>	<b>4,220</b>	<b>55513/5</b>	<b>4,570</b>
108	48	8-10		Veneer	2	55529/2	6,250	55514/2	6,590
<b>108</b>	<b>48</b>	<b>8-10</b>		<b>Laminate</b>	<b>2</b>	<b>55529/5</b>	<b>4,615</b>	<b>55514/5</b>	<b>4,975</b>
108	54	8-10		Veneer	2	55530/2	6,905	55515/2	7,240
<b>108</b>	<b>54</b>	<b>8-10</b>		<b>Laminate</b>	<b>2</b>	<b>55530/5</b>	<b>5,020</b>	<b>55515/5</b>	<b>5,375</b>

### Standard Features:

- Tops are 1" thick and available in all Nienkämper standard veneers and plastic laminates.
- A 25-degree taper and self-edge option are available.
- Table legs are die-cast aluminum, finished in either mirror polish or powder-coat paint.
- All tables with multi-piece tops include a center base with lift-off access panels. The typical finish for the center base is silver paint when paired with mirror-polished legs, or a powder-coat match when painted.
- Stretcher rails come standard in a silver-anodized finish, with the option to match the leg paint color for an upcharge.
- Tables are compatible with most Nienkämper integrated connectivity and power solutions.

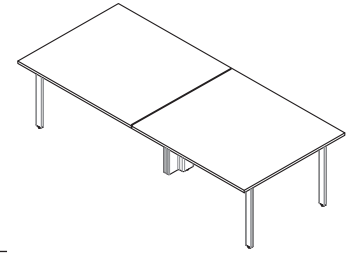
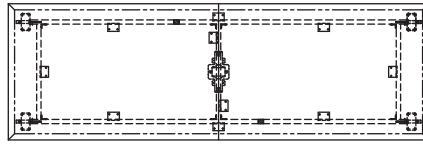
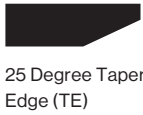
# NOMAD® TABLES

## RECTANGULAR SHAPE CONFERENCE

Design - Charles Godbout & Luc Plante



1" thick top, 29" H



L"	X	D"	Sugg Seat Capacity	Top Finish	Top Sections	POLISHED ALUMINUM BASE		POWDER COAT BASE	
						Model Number	List Price	Model Number	List Price
120	42	8-10		Veneer	2				
<b>120</b>	<b>42</b>	<b>8-10</b>		<b>Laminate</b>	<b>2</b>				
120	48	8-10		Veneer	2	55921/2	9,045	55901/2	9,400
<b>120</b>	<b>48</b>	<b>8-10</b>		<b>Laminate</b>	<b>2</b>	<b>55921/5</b>	<b>7,180</b>	<b>55901/5</b>	<b>7,515</b>
120	54	8-10		Veneer	2	55922/2	10,095	55902/2	9,950
<b>120</b>	<b>54</b>	<b>8-10</b>		<b>Laminate</b>	<b>2</b>	<b>55922/5</b>	<b>7,480</b>	<b>55902/5</b>	<b>7,845</b>
120	60	8-10		Veneer	2	55923/2	9,995	55903/2	10,340
<b>120</b>	<b>60</b>	<b>8-10</b>		<b>Laminate</b>	<b>2</b>	<b>55923/5</b>	<b>7,630</b>	<b>55903/5</b>	<b>7,975</b>
132	48	8-10		Veneer	2				
<b>132</b>	<b>48</b>	<b>8-10</b>		<b>Laminate</b>	<b>2</b>				
132	54	8-10		Veneer	2				
<b>132</b>	<b>54</b>	<b>8-10</b>		<b>Laminate</b>	<b>2</b>				
132	60	8-10		Veneer	2				
<b>132</b>	<b>60</b>	<b>8-10</b>		<b>Laminate</b>	<b>2</b>				
144	48	10-12		Veneer	2	55924/2	10,750	55904/2	11,260
<b>144</b>	<b>48</b>	<b>10-12</b>		<b>Laminate</b>	<b>2</b>	<b>55924/5</b>	<b>8,710</b>	<b>55904/5</b>	<b>9,070</b>
144	54	10-12		Veneer	2	55925/2	11,610	55905/2	11,955
<b>144</b>	<b>54</b>	<b>10-12</b>		<b>Laminate</b>	<b>2</b>	<b>55925/5</b>	<b>9,010</b>	<b>55905/5</b>	<b>9,355</b>
144	60	10-12		Veneer	2	55926/2	12,140	55906/2	12,490
<b>144</b>	<b>60</b>	<b>10-12</b>		<b>Laminate</b>	<b>2</b>	<b>55926/5</b>	<b>9,340</b>	<b>55906/5</b>	<b>9,700</b>
156	48	10-12		Veneer	2				
<b>156</b>	<b>48</b>	<b>10-12</b>		<b>Laminate</b>	<b>2</b>				
156	54	10-12		Veneer	2				
<b>156</b>	<b>54</b>	<b>10-12</b>		<b>Laminate</b>	<b>2</b>				
156	60	10-12		Veneer	2				
<b>156</b>	<b>60</b>	<b>10-12</b>		<b>Laminate</b>	<b>2</b>				
168	48	12-14		Veneer	2	55927/2	11,620	55907/2	12,320
<b>168</b>	<b>48</b>	<b>12-14</b>		<b>Laminate</b>	<b>2</b>	<b>55927/5</b>	<b>9,485</b>	<b>55907/5</b>	<b>9,840</b>
168	54	12-14		Veneer	2	55928/2	12,350	55908/2	13,055
<b>168</b>	<b>54</b>	<b>12-14</b>		<b>Laminate</b>	<b>2</b>	<b>55928/5</b>	<b>9,885</b>	<b>55908/5</b>	<b>10,235</b>
168	60	12-14		Veneer	2	55929/2	13,185	55909/2	13,885
<b>168</b>	<b>60</b>	<b>12-14</b>		<b>Laminate</b>	<b>2</b>	<b>55929/5</b>	<b>10,270</b>	<b>55909/5</b>	<b>10,625</b>

### Standard Features:

- Tops are 1" thick and available in all Nienkämper standard veneers and plastic laminates.
- A 25-degree taper and self-edge option are available.
- Table legs are die-cast aluminum, finished in either mirror polish or powder-coat paint.
- All tables with multi-piece tops include a center base with lift-off access panels. The typical finish for the center base is silver paint when paired with mirror-polished legs, or a powder-coat match when painted.
- Stretcher rails come standard in a silver-anodized finish, with the option to match the leg paint color for an upcharge.
- Tables are compatible with most Nienkämper integrated connectivity and power solutions.

### Notes:

- (1) Table with 2 sections top consists of 4 bases and 1 center column base.
- (2) Table with 3 sections top consists of 4 bases and 2 center column bases.
- (3) Table with 4 sections top consists of 4 bases and 3 center column bases.

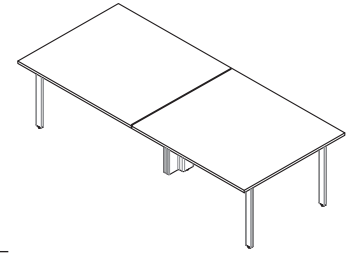
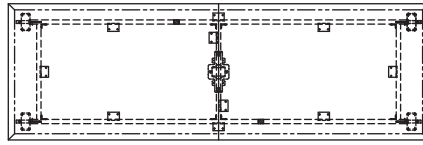
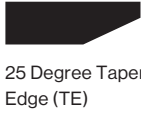
# NOMAD® TABLES

## RECTANGULAR SHAPE CONFERENCE

Design - Charles Godbout & Luc Plante



1" thick top, 29" H



L"	X	D"	Sugg Seat Capacity	Top Finish	Top Sections	POLISHED ALUMINUM BASE		POWDER COAT BASE	
						Model Number	List Price	Model Number	List Price
180	48	12-14		Veneer	3	55930/2	12,225	55910/2	12,935
<b>180</b>	<b>48</b>	<b>12-14</b>		<b>Laminate</b>	<b>3</b>	<b>55930/5</b>	<b>9,950</b>	<b>55910/5</b>	<b>10,305</b>
180	54	12-14		Veneer	3	55931/2	13,000	55911/2	13,710
<b>180</b>	<b>54</b>	<b>12-14</b>		<b>Laminate</b>	<b>3</b>	<b>55931/5</b>	<b>10,340</b>	<b>55911/5</b>	<b>10,690</b>
180	60	12-14		Veneer	3	55932/2	13,800	55912/2	14,500
<b>180</b>	<b>60</b>	<b>12-14</b>		<b>Laminate</b>	<b>3</b>	<b>55932/5</b>	<b>10,780</b>	<b>55912/5</b>	<b>11,125</b>
192	48	14-16		Veneer	3				
<b>192</b>	<b>48</b>	<b>14-16</b>		<b>Laminate</b>	<b>3</b>				
192	54	14-16		Veneer	3				
<b>192</b>	<b>54</b>	<b>14-16</b>		<b>Laminate</b>	<b>3</b>				
192	60	14-16		Veneer	3				
<b>192</b>	<b>60</b>	<b>14-16</b>		<b>Laminate</b>	<b>3</b>				
204	48	16-18		Veneer	4				
<b>204</b>	<b>48</b>	<b>16-18</b>		<b>Laminate</b>	<b>4</b>				
204	54	16-18		Veneer	4				
<b>204</b>	<b>54</b>	<b>16-18</b>		<b>Laminate</b>	<b>4</b>				
204	60	16-18		Veneer	4				
<b>204</b>	<b>60</b>	<b>16-18</b>		<b>Laminate</b>	<b>4</b>				
216	48	16-18		Veneer	4	55933/2	15,370	55913/2	16,060
<b>216</b>	<b>48</b>	<b>16-18</b>		<b>Laminate</b>	<b>4</b>	<b>55933/5</b>	<b>12,335</b>	<b>55913/5</b>	<b>12,680</b>
216	54	16-18		Veneer	4	55934/2	16,275	55914/2	16,980
<b>216</b>	<b>54</b>	<b>16-18</b>		<b>Laminate</b>	<b>4</b>	<b>55934/5</b>	<b>13,175</b>	<b>55914/5</b>	<b>13,525</b>
216	60	16-18		Veneer	4	55935/2	17,170	55915/2	17,875
<b>216</b>	<b>60</b>	<b>16-18</b>		<b>Laminate</b>	<b>4</b>	<b>55935/5</b>	<b>13,615</b>	<b>55915/5</b>	<b>13,965</b>
228	48	18-20		Veneer	4				
<b>228</b>	<b>48</b>	<b>18-20</b>		<b>Laminate</b>	<b>4</b>				
228	54	18-20		Veneer	4				
<b>228</b>	<b>54</b>	<b>18-20</b>		<b>Laminate</b>	<b>4</b>				
228	60	18-20		Veneer	4				
<b>228</b>	<b>60</b>	<b>18-20</b>		<b>Laminate</b>	<b>4</b>				
240	48	18-20		Veneer	4	55936/2	17,390	55916/2	18,030
<b>240</b>	<b>48</b>	<b>18-20</b>		<b>Laminate</b>	<b>4</b>	<b>55936/5</b>	<b>14,260</b>	<b>55916/5</b>	<b>14,565</b>
240	54	18-20		Veneer	4	55937/2	18,320	55917/2	18,960
<b>240</b>	<b>54</b>	<b>18-20</b>		<b>Laminate</b>	<b>4</b>	<b>55937/5</b>	<b>14,820</b>	<b>55917/5</b>	<b>15,150</b>
240	60	18-20		Veneer	4	55938/2	19,425	55918/2	20,080
<b>240</b>	<b>60</b>	<b>18-20</b>		<b>Laminate</b>	<b>4</b>	<b>55938/5</b>	<b>15,350</b>	<b>55918/5</b>	<b>15,655</b>

### Standard Features:

- Tops are 1" thick and available in all Nienkämper standard veneers and plastic laminates.
- A 25-degree taper and self-edge option are available.
- Table legs are die-cast aluminum, finished in either mirror polish or powder-coat paint.
- All tables with multi-piece tops include a center base with lift-off access panels. The typical finish for the center base is silver paint when paired with mirror-polished legs, or a powder-coat match when painted.
- Stretcher rails come standard in a silver-anodized finish, with the option to match the leg paint color for an upcharge.
- Tables are compatible with most Nienkämper integrated connectivity and power solutions.

### Notes:

- (1) Table with 2 sections top consists of 4 bases and 1 center column base.
- (2) Table with 3 sections top consists of 4 bases and 2 center column bases.
- (3) Table with 4 sections top consists of 4 bases and 3 center column bases.

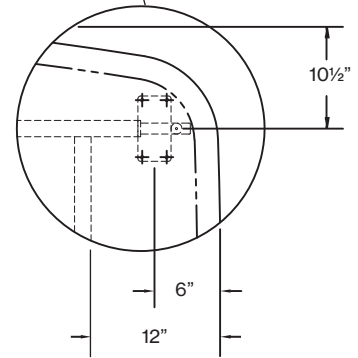
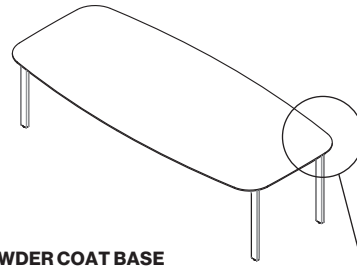
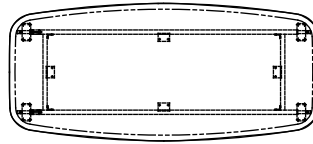
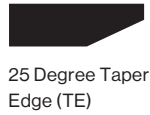
# NOMAD® TABLES

## BOAT SHAPE WITH SOFT (8" RADIUS) CORNERS CONFERENCE

Design - Charles Godbout & Luc Plante



1" thick top, 29" H



L"	X	D"	Sugg Seat Capacity	Top Finish	Top Sections	POLISHED ALUMINUM BASE		POWDER COAT BASE	
						Model Number	List Price	Model Number	List Price
60	42	4-6	4-6	Veneer	1	55547/2	4,300	55532/2	4,660
<b>60</b>	<b>42</b>	<b>4-6</b>	<b>4-6</b>	<b>Laminate</b>	<b>1</b>	<b>55547/5</b>	<b>3,230</b>	<b>55532/5</b>	<b>3,590</b>
60	48	4-6	4-6	Veneer	1	55548/2	4,665	55533/2	5,015
<b>60</b>	<b>48</b>	<b>4-6</b>	<b>4-6</b>	<b>Laminate</b>	<b>1</b>	<b>55548/5</b>	<b>3,460</b>	<b>55533/5</b>	<b>3,810</b>
72	36	4-6	4-6	Veneer	1	55549/2	4,440	55534/2	4,790
<b>72</b>	<b>36</b>	<b>4-6</b>	<b>4-6</b>	<b>Laminate</b>	<b>1</b>	<b>55549/5</b>	<b>3,325</b>	<b>55534/5</b>	<b>3,685</b>
72	42	4-6	4-6	Veneer	1	55550/2	4,855	55535/2	5,210
<b>72</b>	<b>42</b>	<b>4-6</b>	<b>4-6</b>	<b>Laminate</b>	<b>1</b>	<b>55550/5</b>	<b>3,585</b>	<b>55535/5</b>	<b>3,930</b>
72	48	4-6	4-6	Veneer	1	55551/2	5,280	55536/2	5,155
<b>72</b>	<b>48</b>	<b>4-6</b>	<b>4-6</b>	<b>Laminate</b>	<b>1</b>	<b>55551/5</b>	<b>3,835</b>	<b>55536/5</b>	<b>4,180</b>
84	42	6-8	6-8	Veneer	1	55553/2	5,310	55538/2	5,660
<b>84</b>	<b>42</b>	<b>6-8</b>	<b>6-8</b>	<b>Laminate</b>	<b>1</b>	<b>55553/5</b>	<b>3,950</b>	<b>55538/5</b>	<b>4,300</b>
84	48	6-8	6-8	Veneer	1	55554/2	5,840	55539/2	6,195
<b>84</b>	<b>48</b>	<b>6-8</b>	<b>6-8</b>	<b>Laminate</b>	<b>1</b>	<b>55554/5</b>	<b>4,280</b>	<b>55539/5</b>	<b>4,635</b>
96	42	6-8	6-8	Veneer	1	55556/2	5,730	55541/2	6,080
<b>96</b>	<b>42</b>	<b>6-8</b>	<b>6-8</b>	<b>Laminate</b>	<b>1</b>	<b>55556/5</b>	<b>4,245</b>	<b>55541/5</b>	<b>4,595</b>
96	48	6-8	6-8	Veneer	1	55557/2	6,085	55542/2	6,440
<b>96</b>	<b>48</b>	<b>6-8</b>	<b>6-8</b>	<b>Laminate</b>	<b>1</b>	<b>55557/5</b>	<b>4,555</b>	<b>55542/5</b>	<b>4,905</b>
108	42	8-10	8-10	Veneer	2	55558/2	6,295	55543/2	6,645
<b>108</b>	<b>42</b>	<b>8-10</b>	<b>8-10</b>	<b>Laminate</b>	<b>2</b>	<b>55558/5</b>	<b>4,550</b>	<b>55543/5</b>	<b>4,900</b>
108	48	8-10	8-10	Veneer	2	55559/2	6,870	55544/2	7,220
<b>108</b>	<b>48</b>	<b>8-10</b>	<b>8-10</b>	<b>Laminate</b>	<b>2</b>	<b>55559/5</b>	<b>5,005</b>	<b>55544/5</b>	<b>5,350</b>
108	54	8-10	8-10	Veneer	2	55560/2	7,605	55545/2	7,950
<b>108</b>	<b>54</b>	<b>8-10</b>	<b>8-10</b>	<b>Laminate</b>	<b>2</b>	<b>55560/5</b>	<b>5,460</b>	<b>55545/5</b>	<b>5,810</b>

### Standard Features:

- Tops are 1" thick and available in all Nienkämper standard veneers and plastic laminates.
- A 25-degree taper and self-edge option are available.
- Table legs are die-cast aluminum, finished in either mirror polish or powder-coat paint.
- All tables with multi-piece tops include a center base with lift-off access panels. The typical finish for the center base is silver paint when paired with mirror-polished legs, or a powder-coat match when painted.
- Stretcher rails come standard in a silver-anodized finish, with the option to match the leg paint color for an upcharge.
- Tables are compatible with most Nienkämper integrated connectivity and power solutions.



# TERMS AND CONDITIONS OF SALE

---

## PRICES

All prices are list prices, freight included, blanket-wrapped, dock delivered, from the manufacturing source to any location in the contiguous United States.

Brokerage is paid by Nienkämper for product shipped to the United States.

Due to existing conditions in regard to cost of labor and materials, we reserve the right to change prices without notice.

## TERMS

Net 30 days from date of invoice to accredited buyers. Two per cent (2%) interest charged monthly on overdue accounts. Deposit of 50% is required with order. Terms will be established upon credit evaluation. Due to delays in processing references, first orders may be treated as C.B.D. orders.

## ORDER CONFIRMATION

Orders are accepted upon issuance of our order confirmation and are subject to the terms set forth therein; notwithstanding any variance from the terms of the buyer's order form.

Nienkämper is not liable for any delay or failure to deliver caused by labor or transportation difficulties, accidents, acts of God, failure of sources of supply, or other causes beyond our control, and changes will affect the delivery date.

## CHANGE OF ORDERS OR CANCELLATIONS

Changes or cancellations are subject to our ability to conform. A charge will be levied against cancelled or changed orders based on costs already incurred by Nienkämper. All changes must be in writing and submitted on a revised purchase order. Changes will affect the delivery date.

## STORAGE

If goods cannot be accepted when ready, we may transfer them to storage (which is to be deemed as delivery for invoice purposes). The customer accepts risks and will be charged at prevailing rates.

## FREIGHT

Prices include freight charges, blanket-wrapped, dock delivered, from the manufacturing source to any location in the contiguous United States. Packing and/or crating are available, if required, upcharges apply.

## CLAIMS

All furniture is given to the carrier and signed for in good condition. It is the responsibility of the receiver to sign for the goods in the presence of the carrier and note the condition in which they are received. Freight claims should be filed with the carrier.

## WARRANTY

There are no express or implied warranties, conditions and obligations of the manufacturer, whether statutory or otherwise that extend beyond the description on the face hereof. Our furniture is made to the highest standard and is warranted free from defects of material and workmanship for five years from the date of delivery. During the warranty period we will repair or replace such merchandise as shall prove to be defective, during normal usage in accordance with manufacturer's specifications. The manufacturer shall not be liable for defect wholly attributable to normal manufacturing process. Replacement or repair of the Product shall be the sole remedy of the Customer, and the manufacturer shall not be liable for any direct, indirect, incidental, or consequential loss or damage suffered by the Customer by reason of any defect in workmanship or manufacture of the Product or inability to use the Product. Moreover, this warranty does not cover accidental damage, abuse, alteration, ordinary wear and tear of Goods, negligence and misuse nor variations over which we have no control such as heat or humidity or damage to which the Goods are connected that is not attributable to the failure of the goods themselves. This warranty is null and void when the product is installed with hardware other than that supplied and/or when installed differently than recommended in the installation guide. Modification to the product or hardware may result in failure of the product and cause damage and/or injury.

## WOOD FINISHES

Nienkämper offers a wide variety of standard light finishes on cherry, mahogany and figured anagré wood veneers, and a clear natural finish on figured anagré, figured sycamore, maple, bird's eye maple and curly maple.

Light finishes do not mask the grain and other characteristics of each wood species. It is important to understand that pieces of the same type of wood will not look identical when a light finish is used. The appearance of the finish will also depend on the natural color of the veneer. Cherry darkens over time as the wood ages. Pin knots and gum pockets are inherent traits.

Wood is a naturally variable raw material; its variances are not within the furniture manufacturer's control and are therefore not considered defects under this warranty.