

# Gateway Free Standing Height Adjustable Media Table

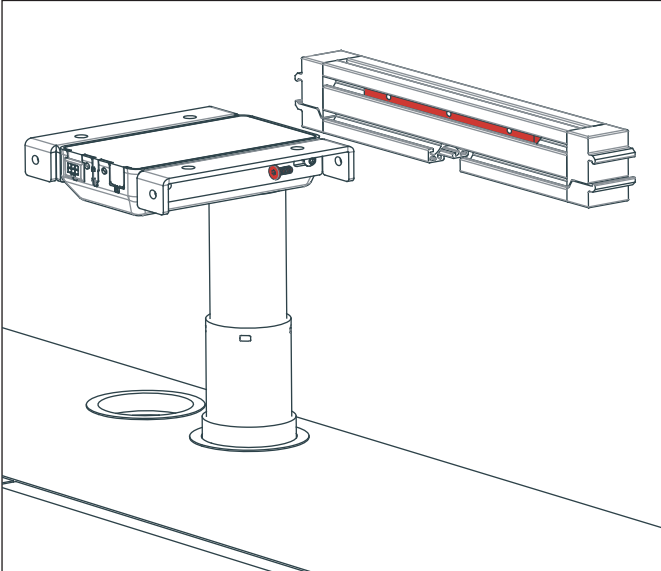
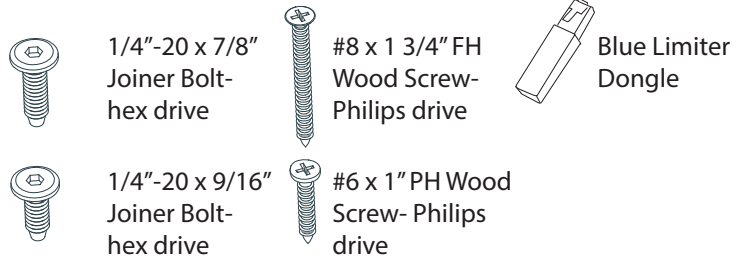
## INSTALLATION GUIDE

**SUGGESTED MINIMUM CREW: 2**  
**APPROXIMATE INSTALL TIME: 1 - 2 Hr**

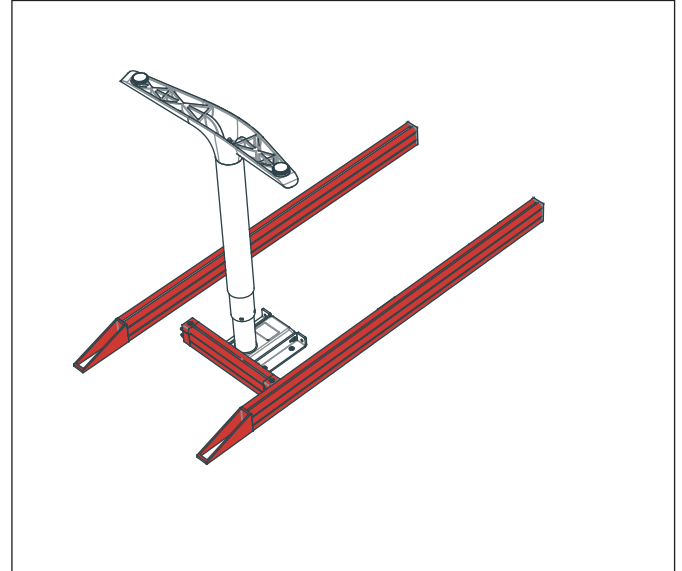
### TOOLS REQUIRED:

#4 Hex Key  
Philips Screwdriver / bit  
Drill

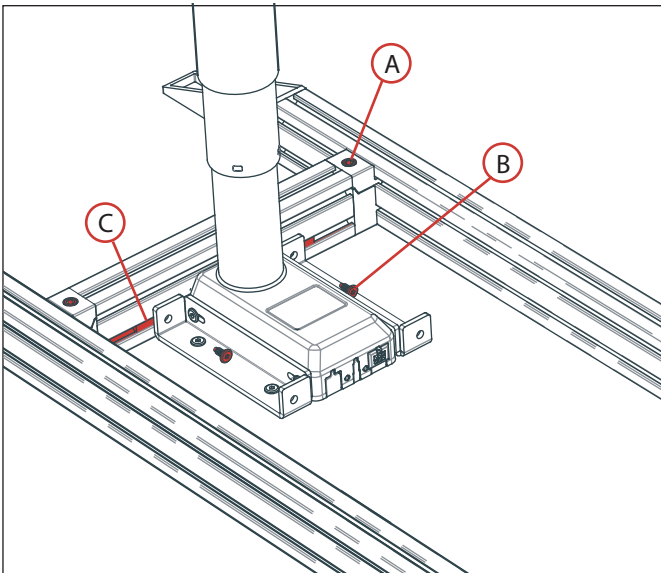
### HARDWARE:



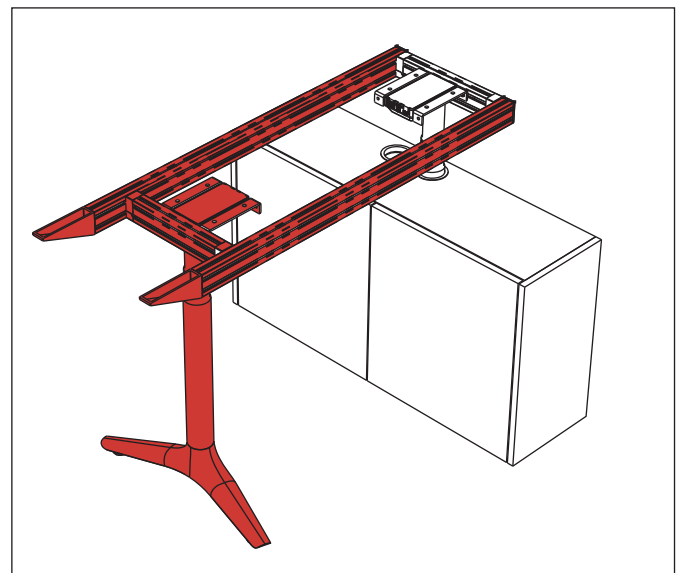
Secure the cross beam to leg by bolting 1/4"-20 x 9/16" joiner bolt (B) to pre-installed t-slot nut (C) in beam.



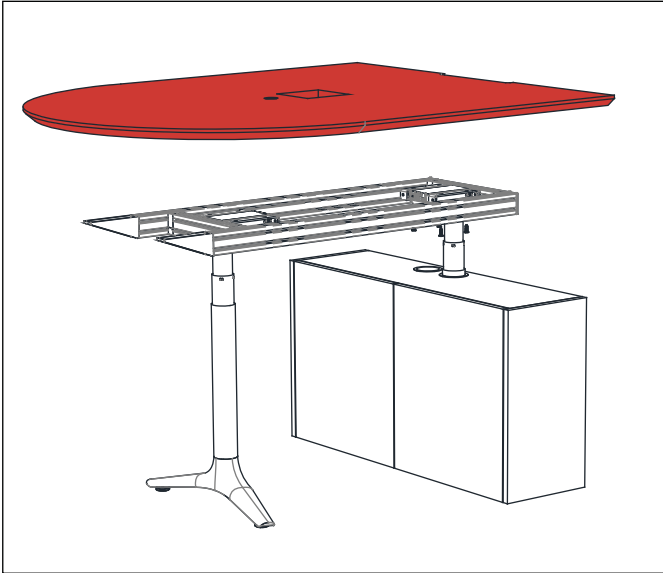
Set rails into place with cross rail against front of base and centered.



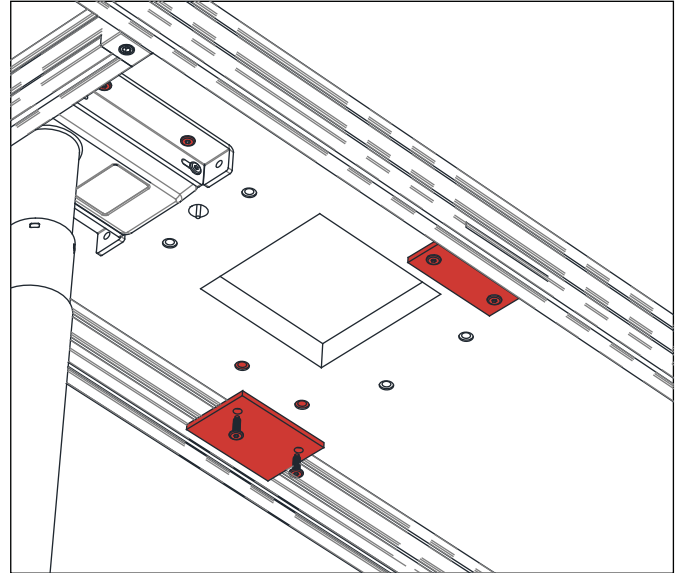
To lock Gripper fitting (A) use Hex Key. Secure the cross beam to leg by bolting 1/4"-20 x 9/16" joiner bolt (B) to pre-installed t-slot nut (C) in beam.



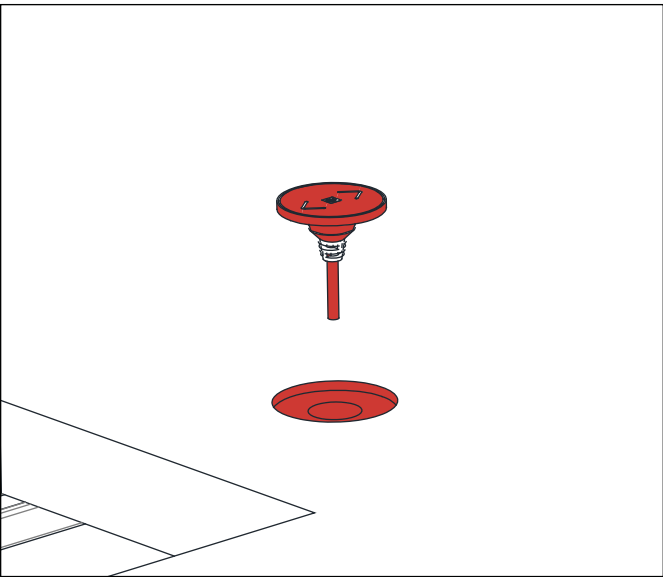
Rotate rail / leg structure into position and secure to case mounted leg by sliding Gripper into rails. Lock Gripper fittings (A) using Hex Key.



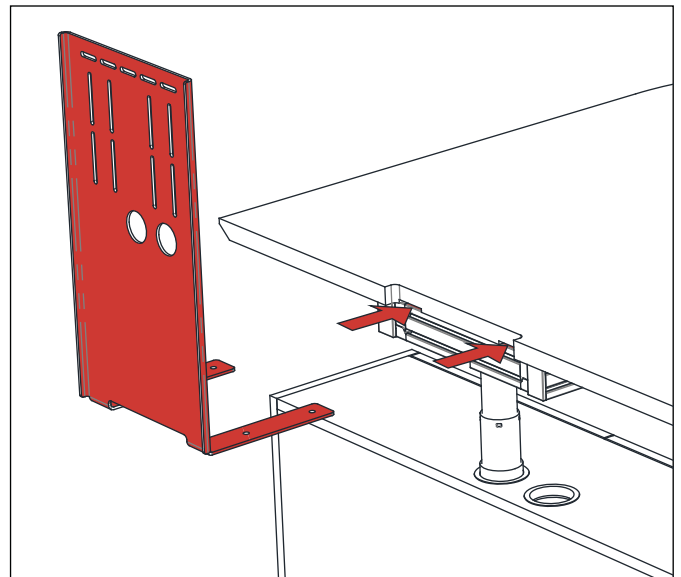
Set top in position.



Secure top with rail brackets (x2) and 1/4"-20 x 7/8" joiner bolts (x4). Leg brackets are held with 1/4"-20 x 7/8" joiner bolts (x4 per leg). If your order includes a desktop power unit install as per instructions shipped with device.

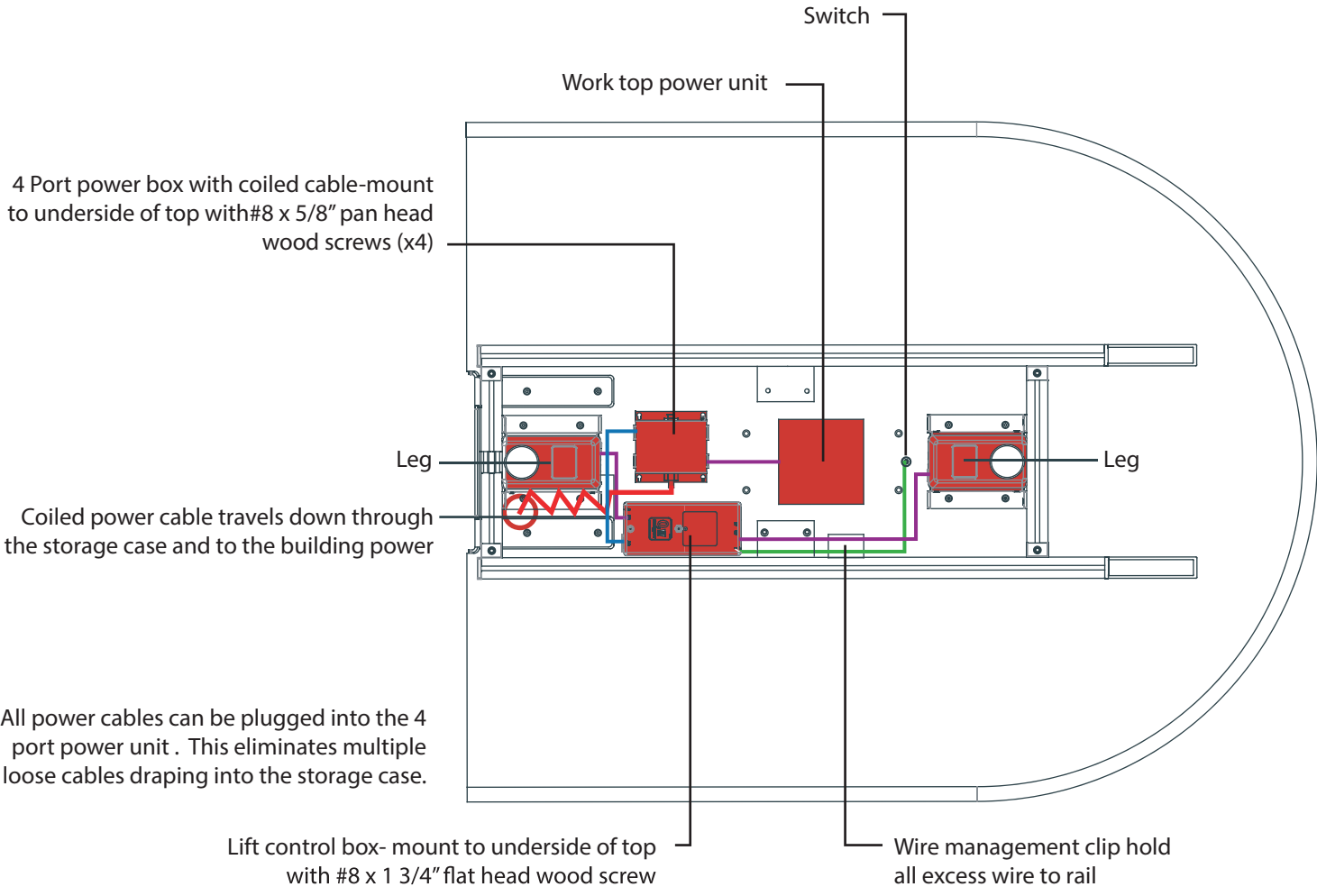


Feed Recessed Switch plug and cable down through hole in top and fit in place. Do not press fully into place until the lift system is powered on and you can be sure the up arrow is facing in the correct position towards TV bracket.



Slide TV bracket into slots at end of table. Loosen the joiner bolts holding the base to the top if the fit is tight. Once the bracket is in place, fasten using 1/4"-20 x 7/8" joiner bolt (x4).

Note: This TV bracket provides a mounting point for a customer supplied, TV wall mount bracket. Install TV and wall mount as per manufacturer instruction.



All power cables can be plugged into the 4 port power unit . This eliminates multiple loose cables draping into the storage case.

Blue Limiter Dongle

To program maximum table height:  
 Use the control switch to raise the table to desired height, plug the blue limiter dongle into the RJ-45 port located in the control box.

