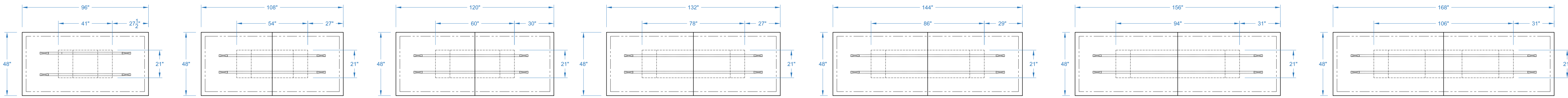
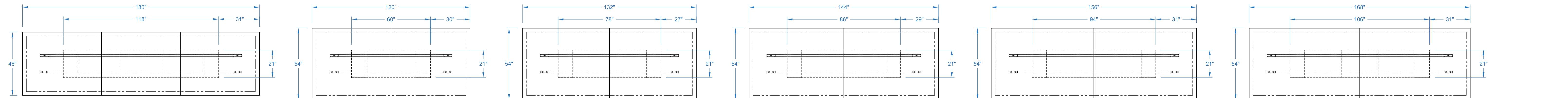


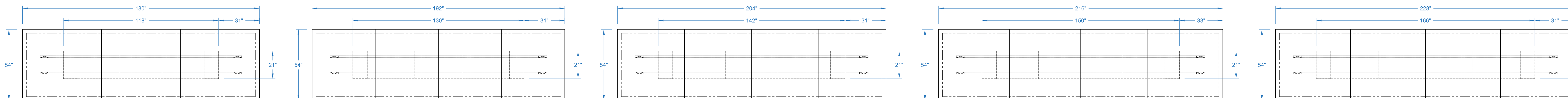
PLAN VIEW



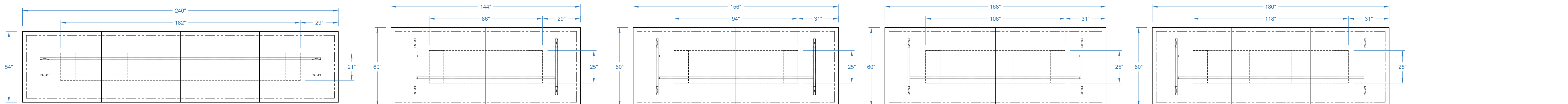
MODEL# 34600/RT SIZE: 96\"/>



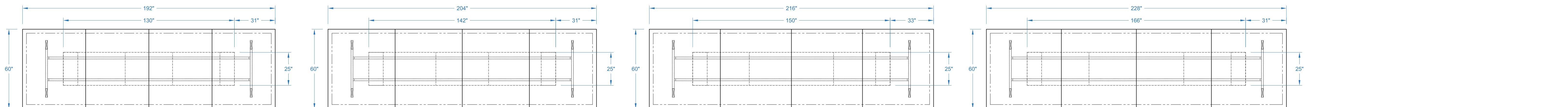
MODEL# 34624/RT SIZE: 180\"/>



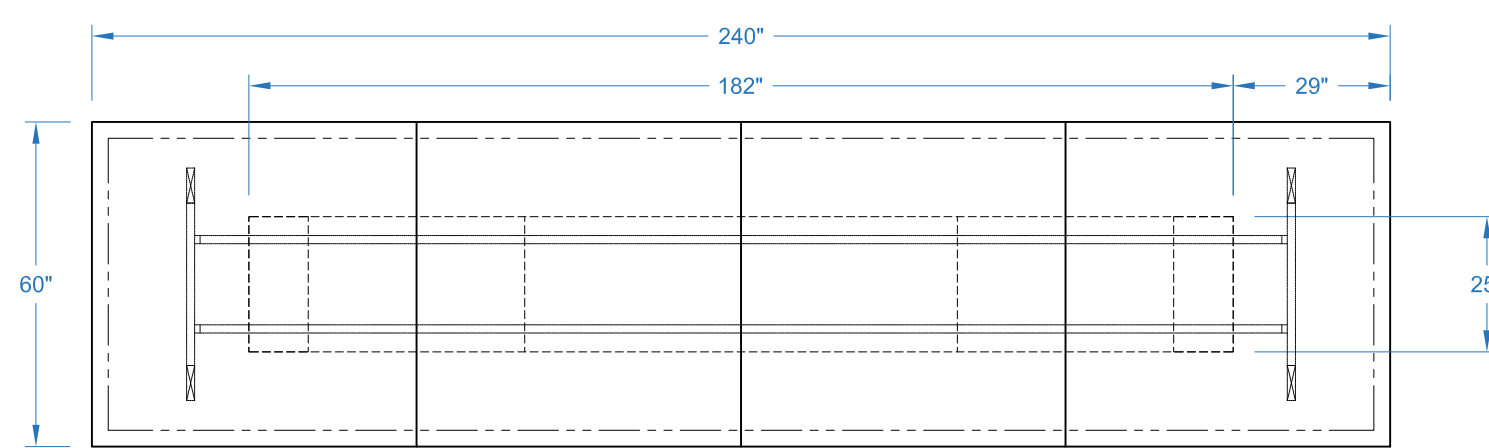
MODEL# 34625/RT SIZE: 180\"/>



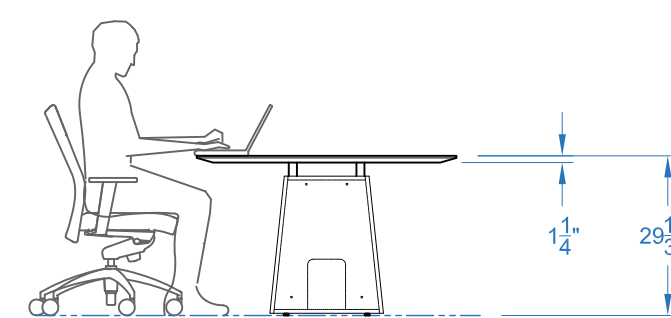
MODEL# 34650/RT SIZE: 240\"/>



MODEL# 34630/RT SIZE: 192\"/>

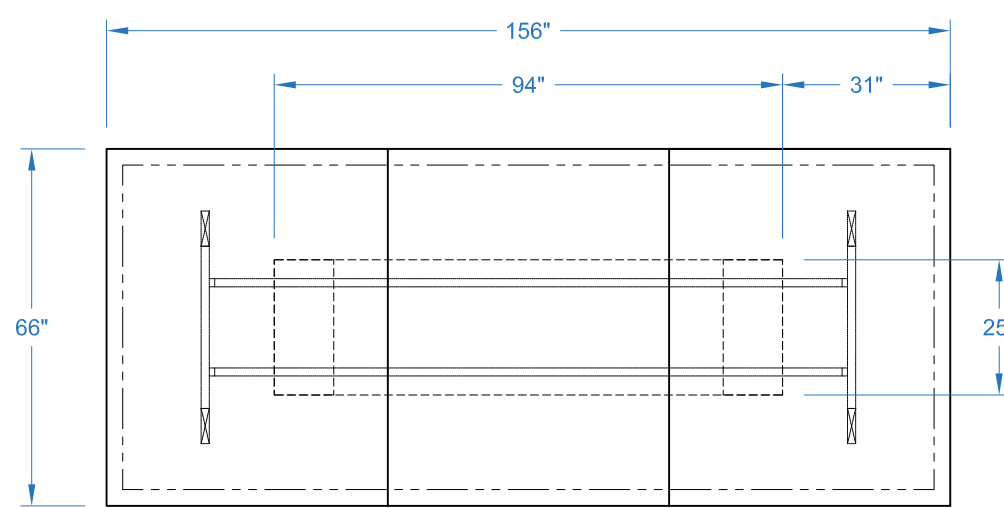


MODEL# 34651/RT SIZE: 240\"/>

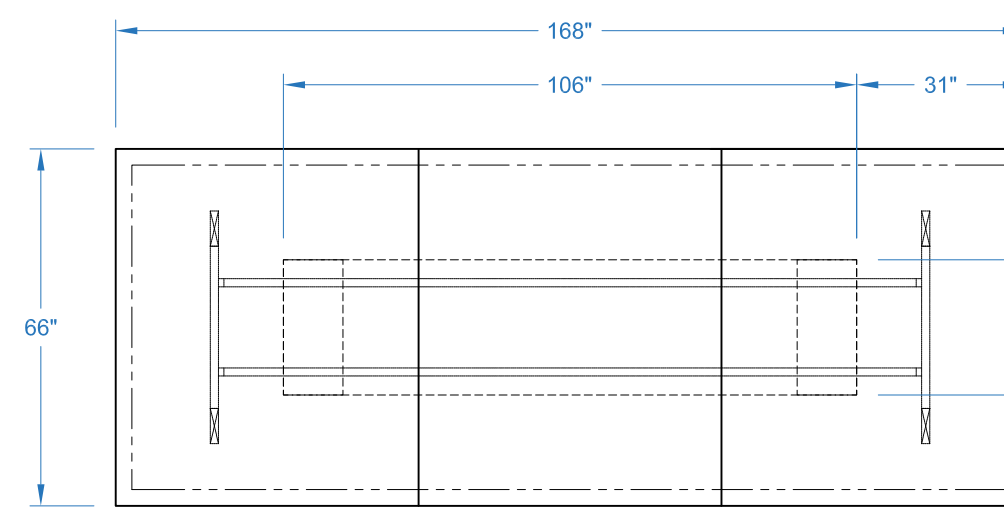


TYPICAL ELEVATION

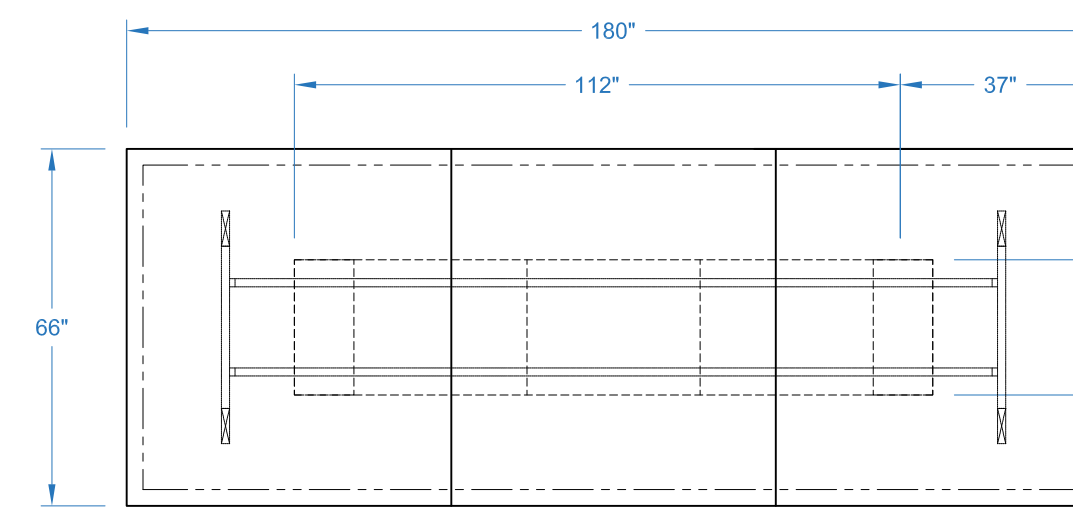
<p>257 Finchdene Square, Scarborough, Ontario, Canada, M1X 1B9 Tel 416 298 5700 Fax 416 298 9535 www.nienkamper.com design@nienkamper.com</p>	OC-Project: 2D CAD SYMBOLS	Drawing No: 1 OF 2	C.S. Rep:	Issue Drawing To:
	Title: SUMMIT CONFERENCE	PART #:		CS
Scale: 3/8"=1'-0"	Date: APRIL 17, 2026	Revision No. R-	CUST. SERVE	
Drawn By: DESIGN DEPT.	Dwg For: WEBSITE	Rev Details:	Rev By: & Date:	
<small>THIS DRAWING IS CONFIDENTIAL AND PROPRIETARY. NO PART OF THIS DRAWING MAY BE COPIED, DISCLOSED TO ANY THIRD PARTY OR USED FOR ANY PURPOSE WITHOUT THE EXPRESS WRITTEN AUTHORIZATION OF NIENKAMPER FURNITURE & ACCESSORIES</small>				



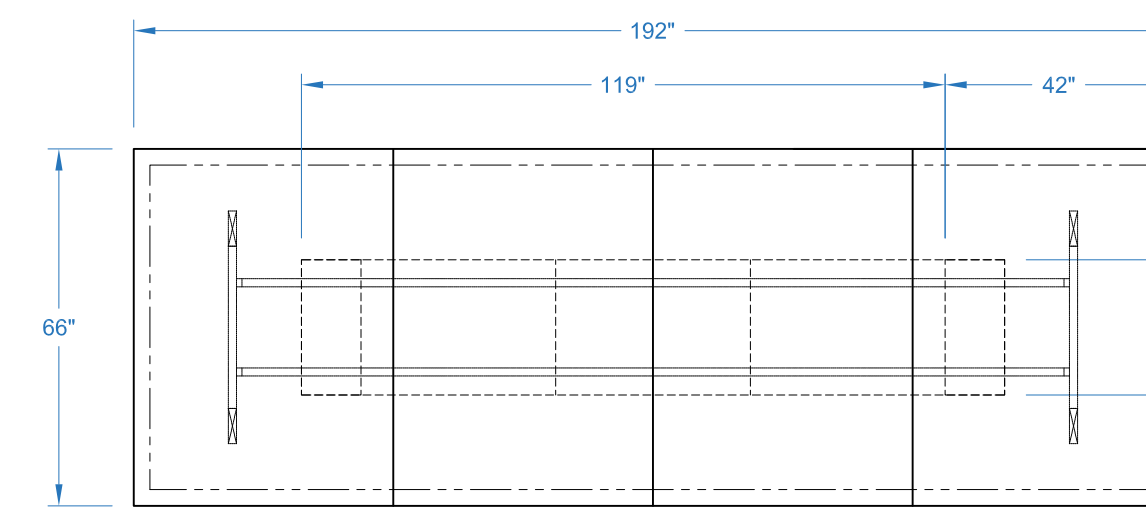
MODEL# 34618/RT
SIZE: 156" X 66"



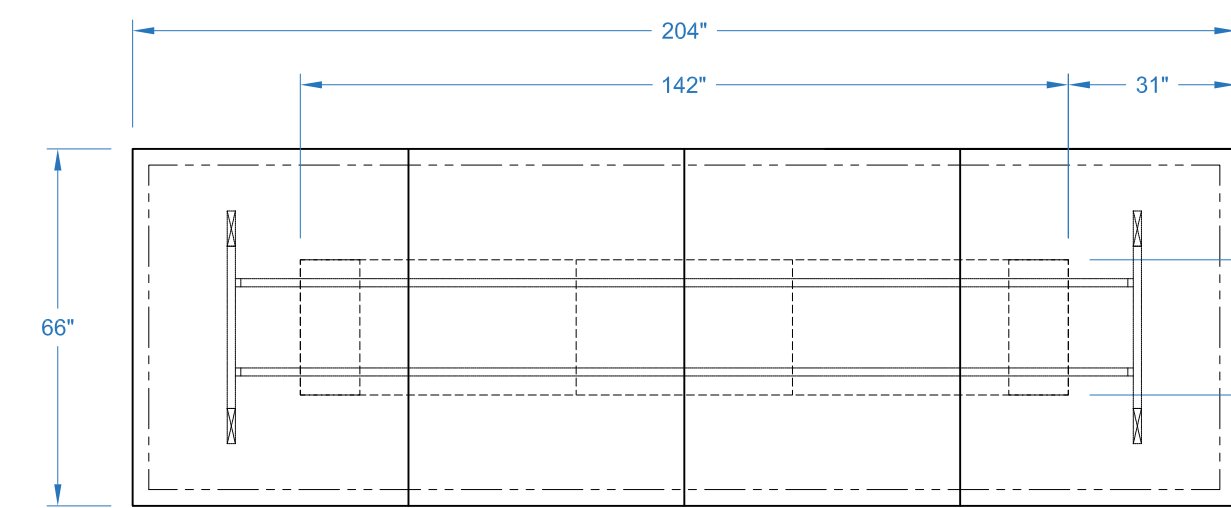
MODEL# 34622/RT
SIZE: 168" X 66"



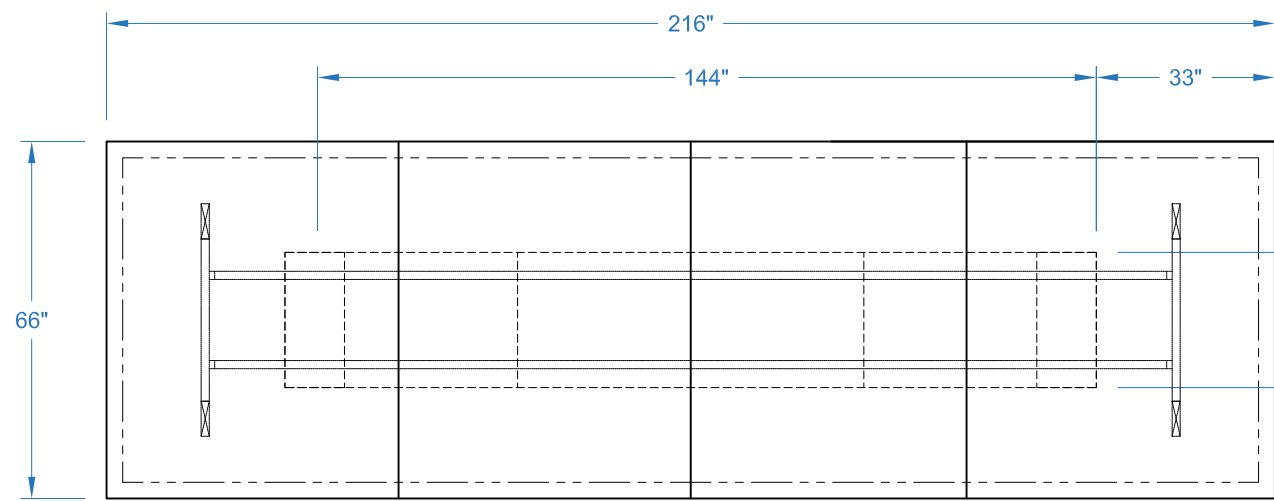
MODEL# 34627/RT
SIZE: 180" X 66"



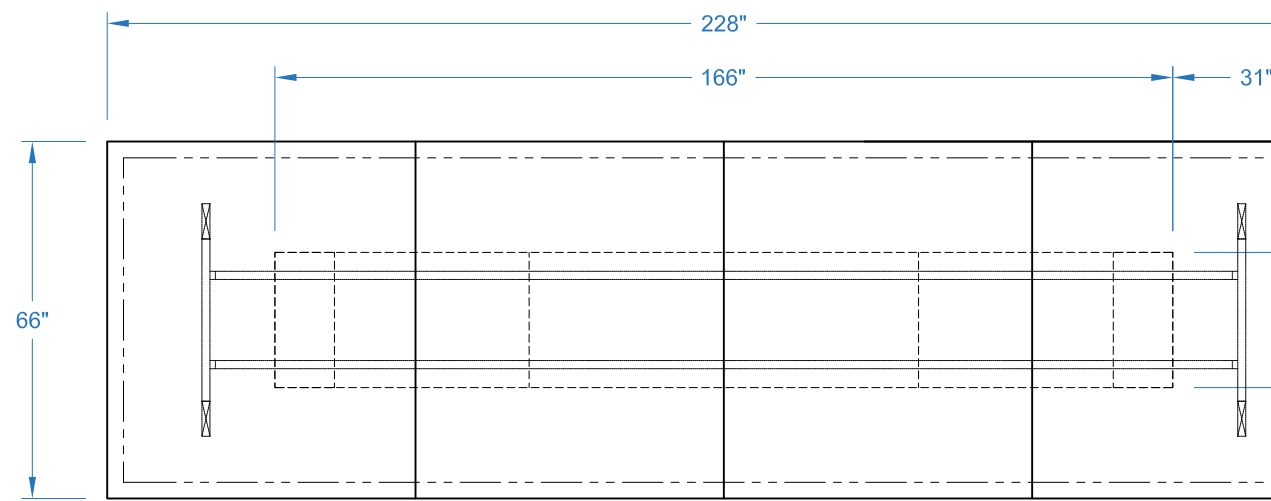
MODEL# 34631/RT
SIZE: 192" X 66"



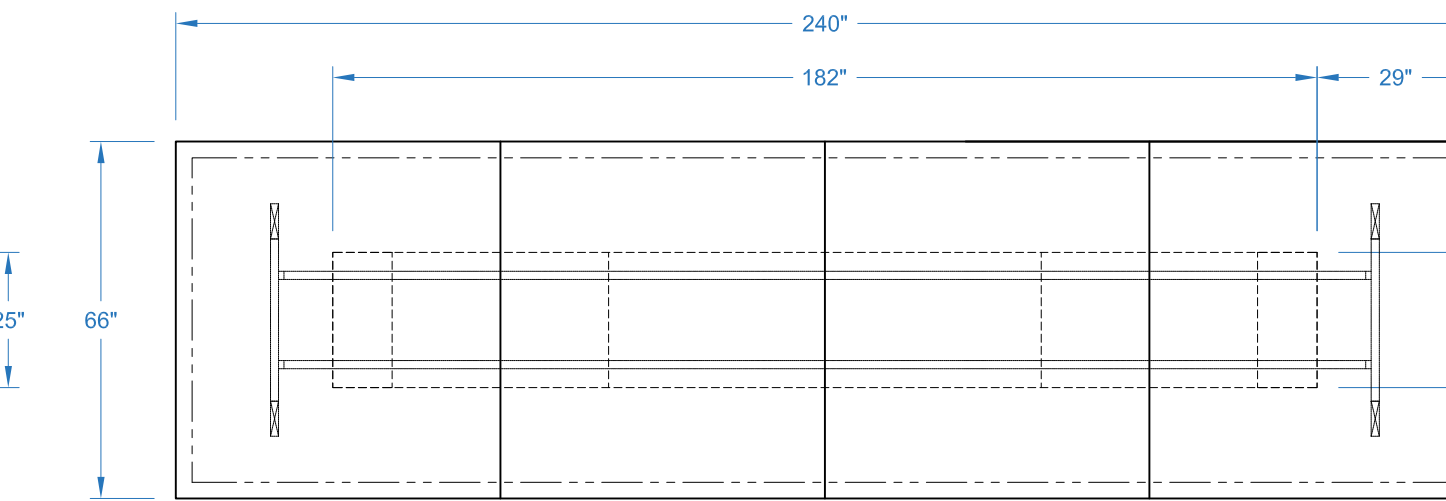
MODEL# 34635/RT
SIZE: 204" X 66"



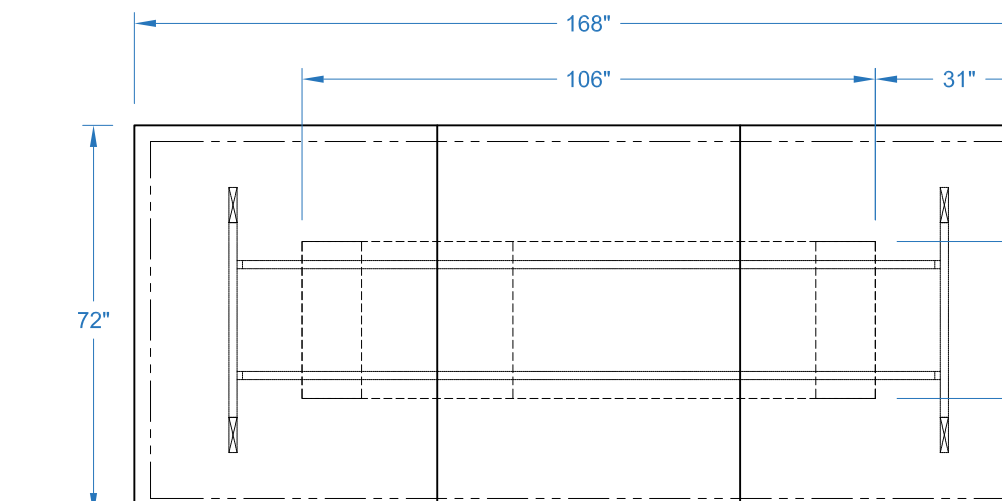
MODEL# 34640/RT
SIZE: 216" X 66"



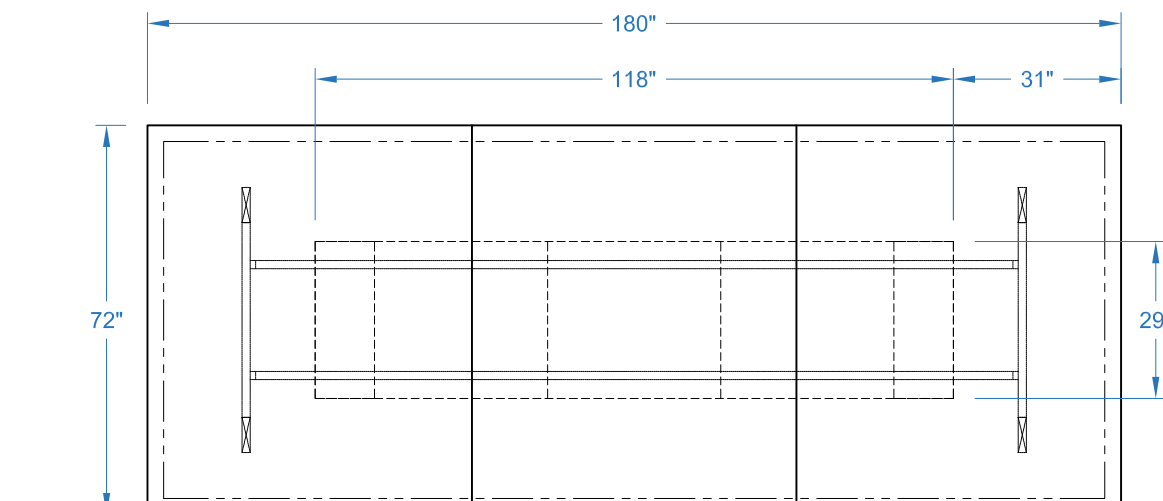
MODEL# 34646/RT
SIZE: 228" X 66"



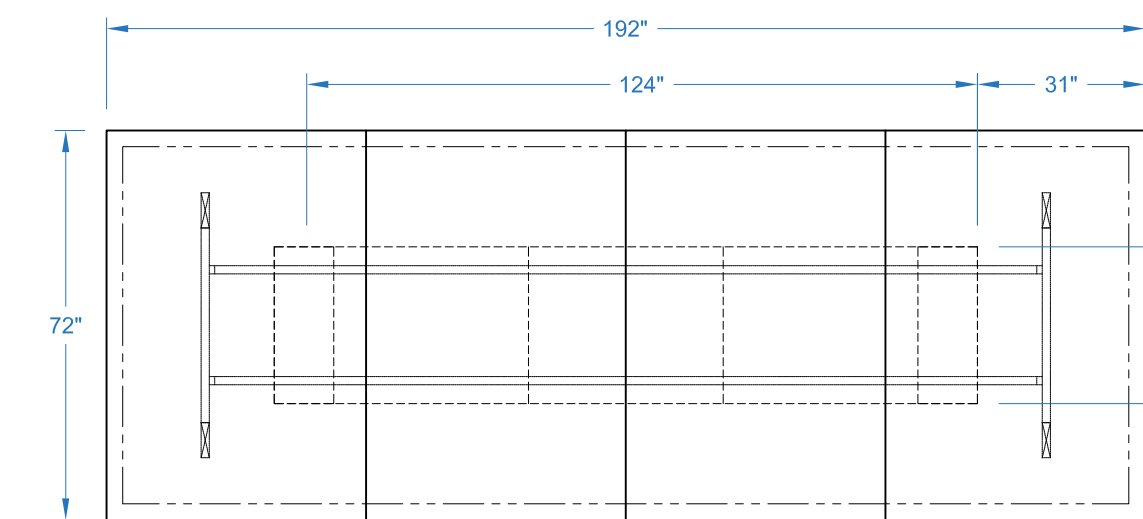
MODEL# 34652/RT
SIZE: 240" X 66"



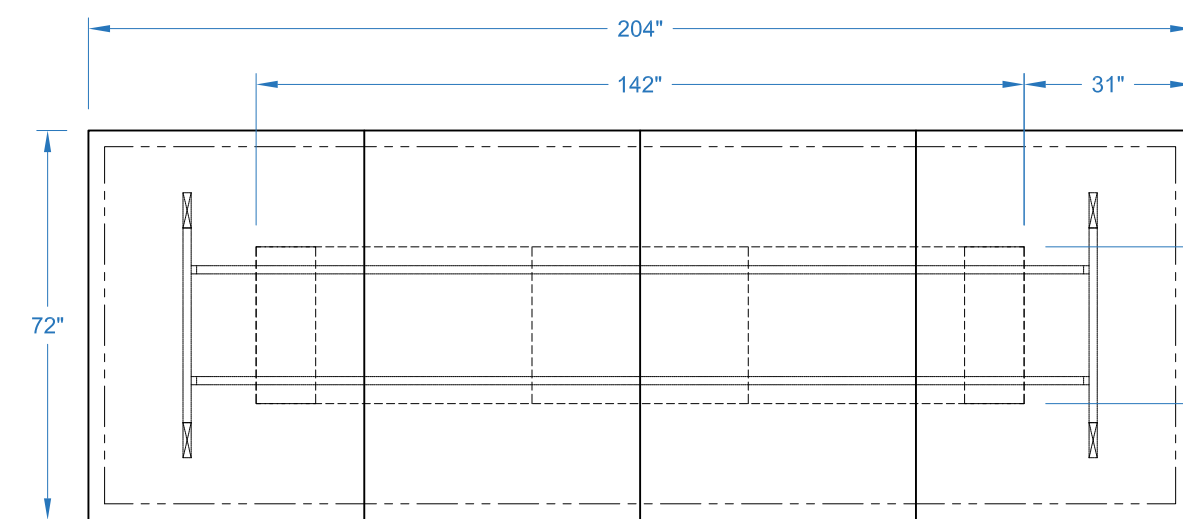
MODEL# 34623/RT
SIZE: 168" X 72"



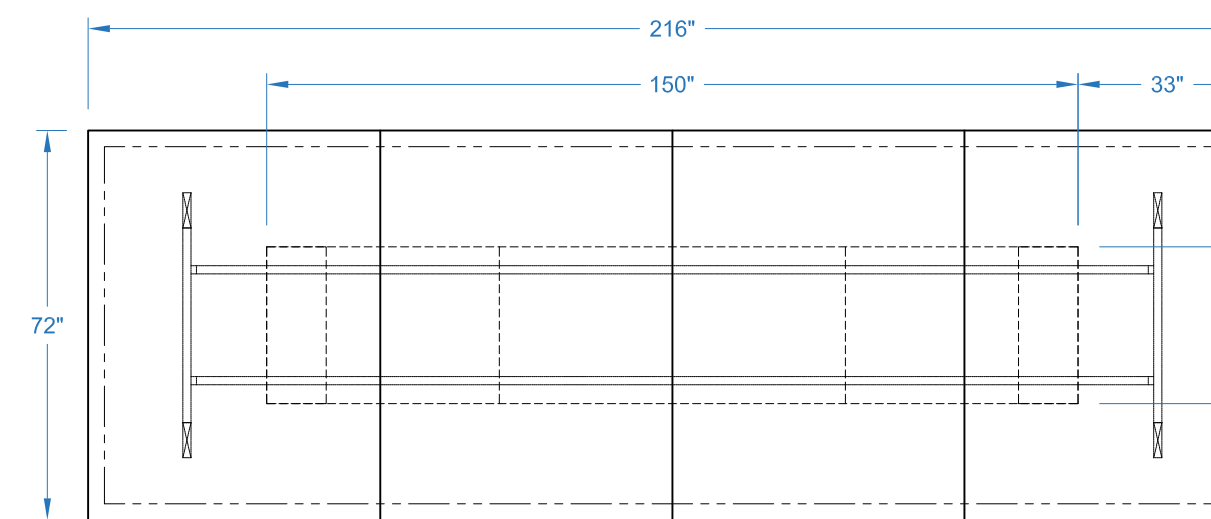
MODEL# 34628/RT
SIZE: 180" X 72"



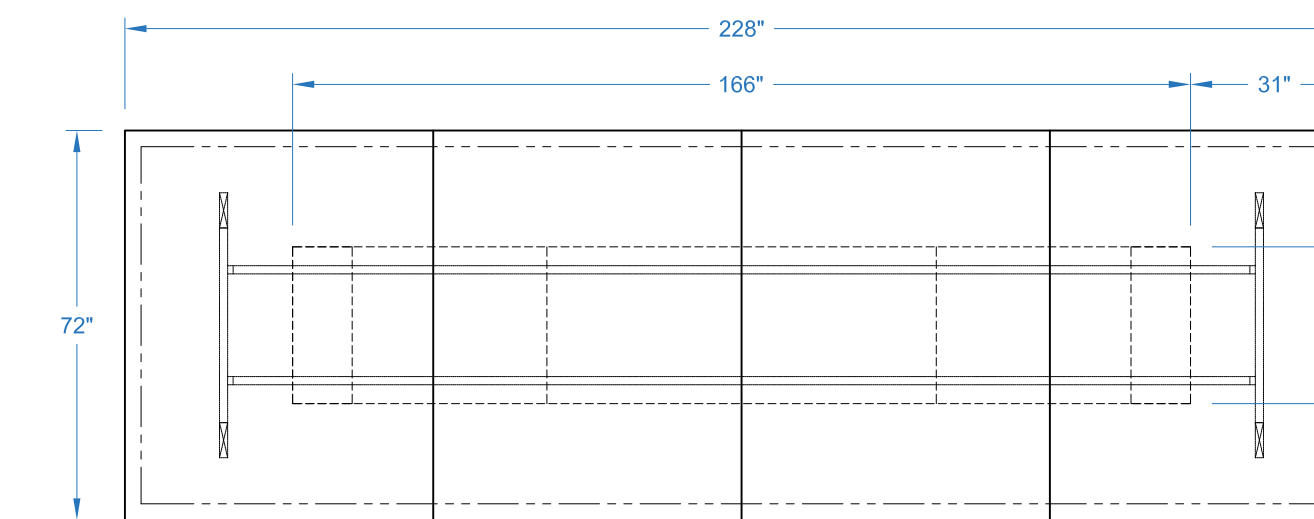
MODEL# 34628
SIZE: 192" X 72"



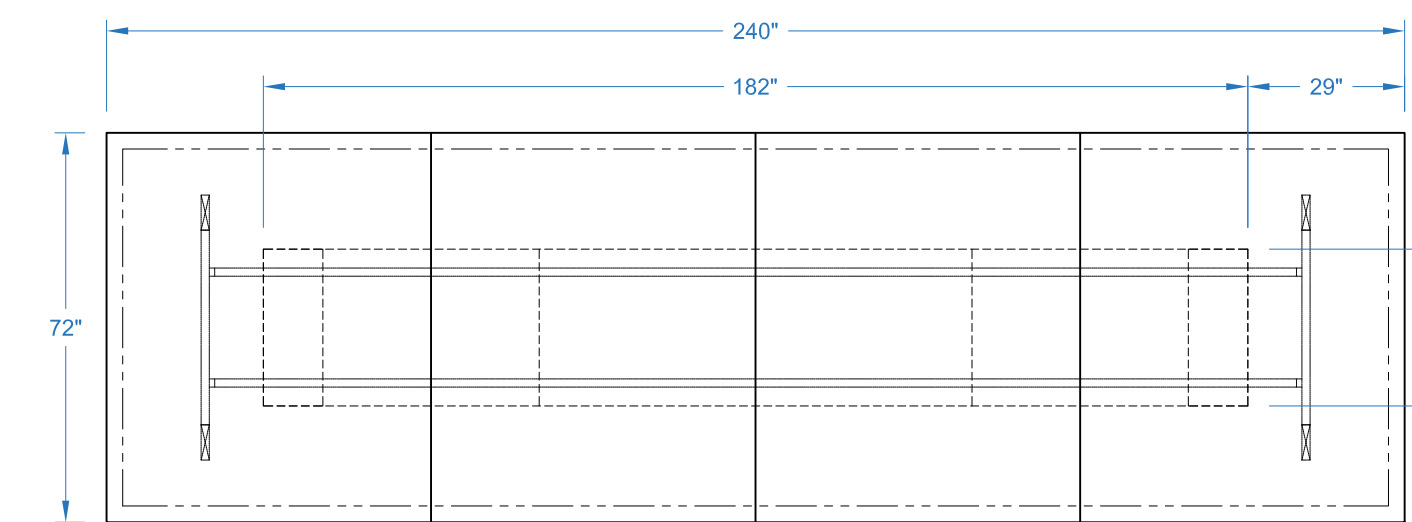
MODEL# 34636/RT
SIZE: 204" X 72"



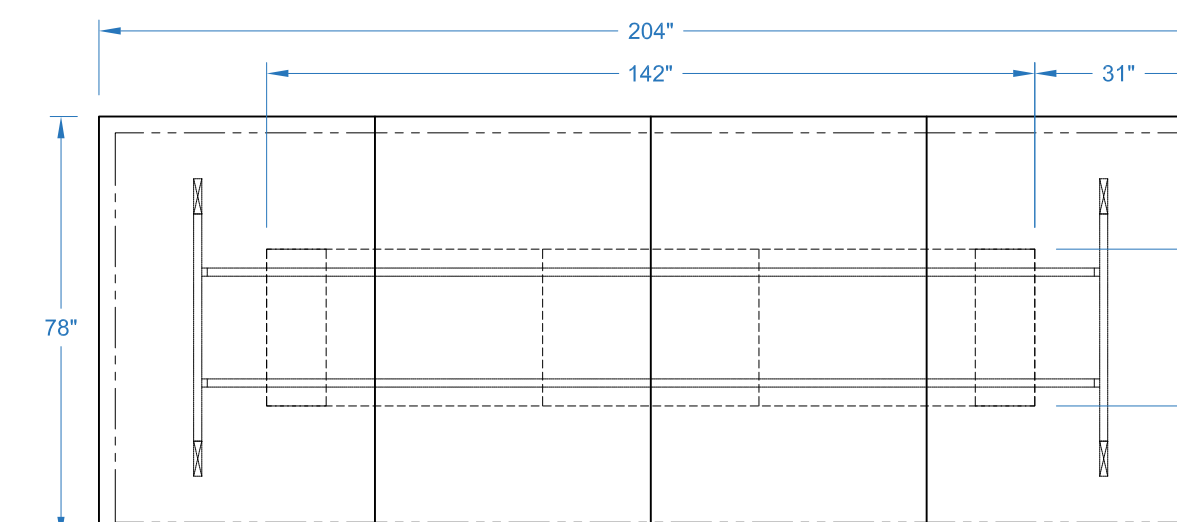
MODEL# 34641/RT
SIZE: 216" X 72"



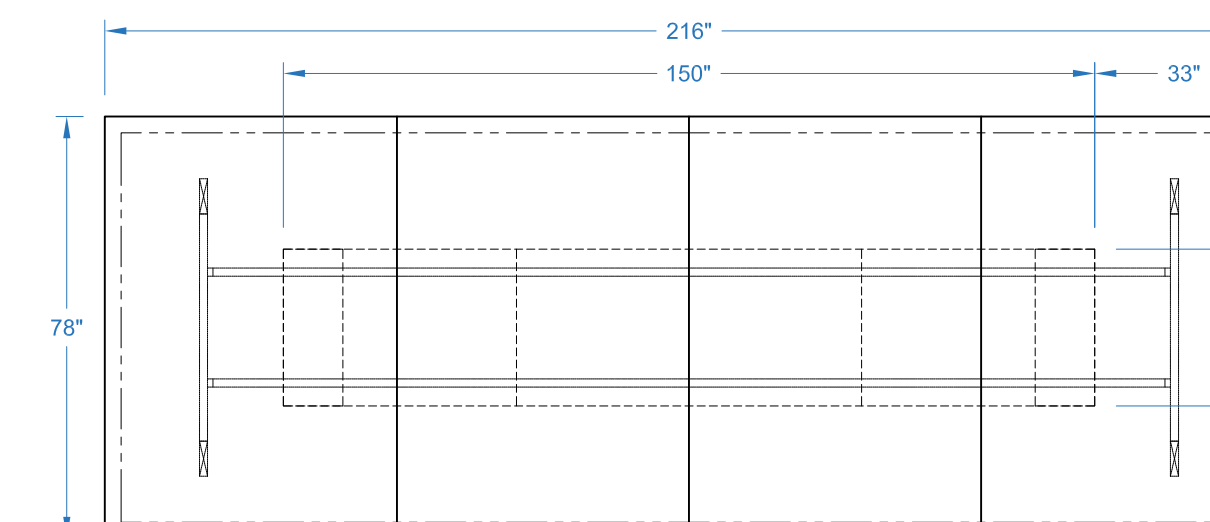
MODEL# 34647/RT
SIZE: 228" X 72"



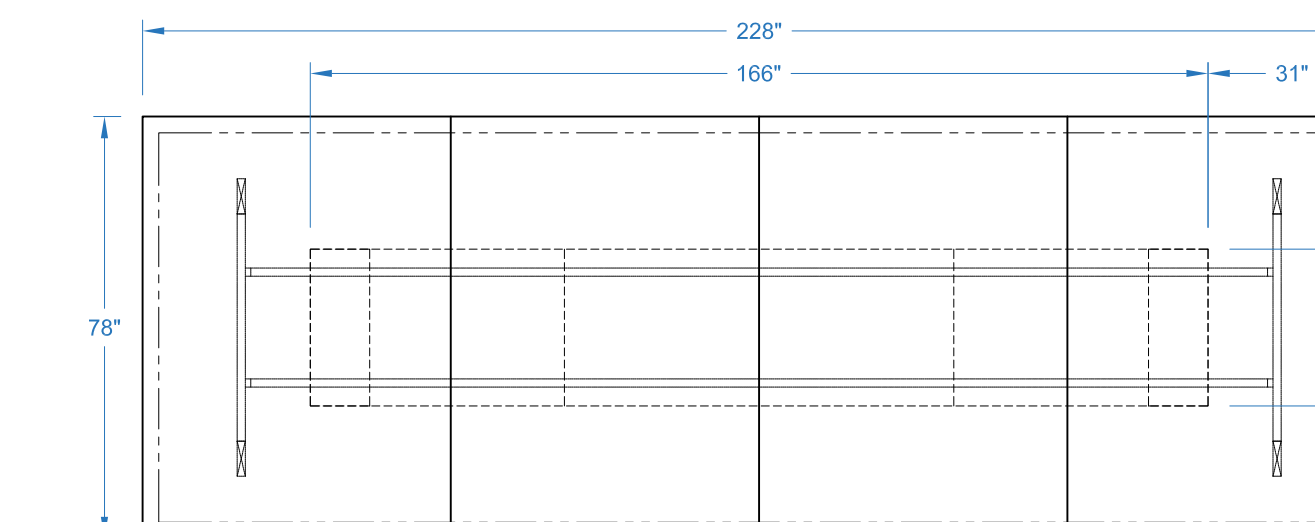
MODEL# 34653/RT
SIZE: 240" X 72"



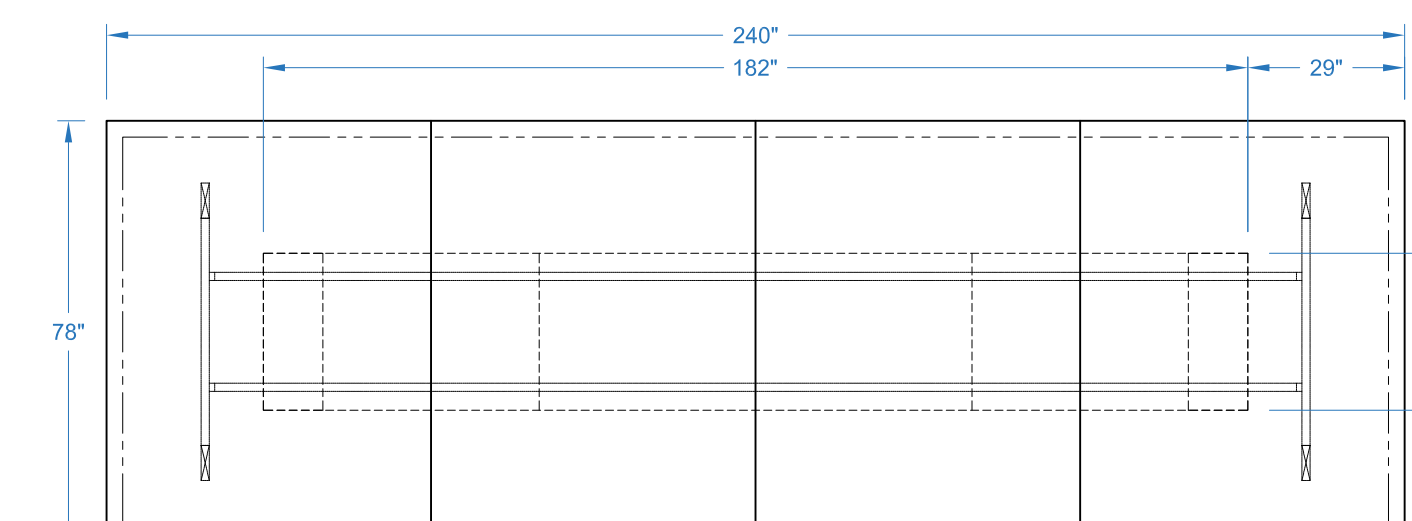
MODEL# 34637/RT
SIZE: 204" X 78"



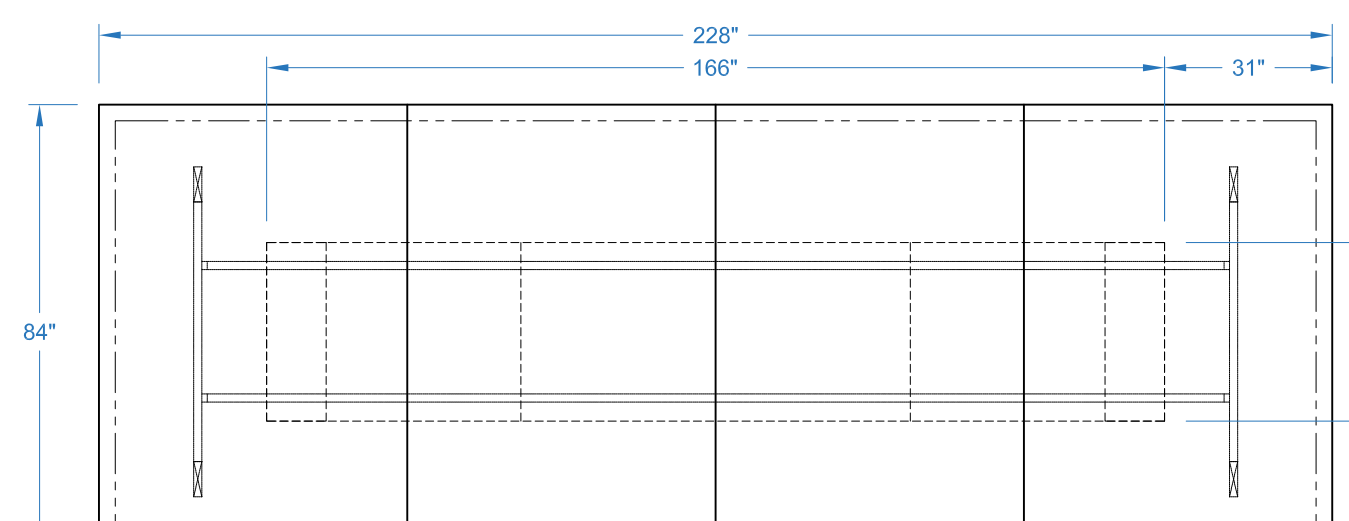
MODEL# 34642/RT
SIZE: 216" X 78"



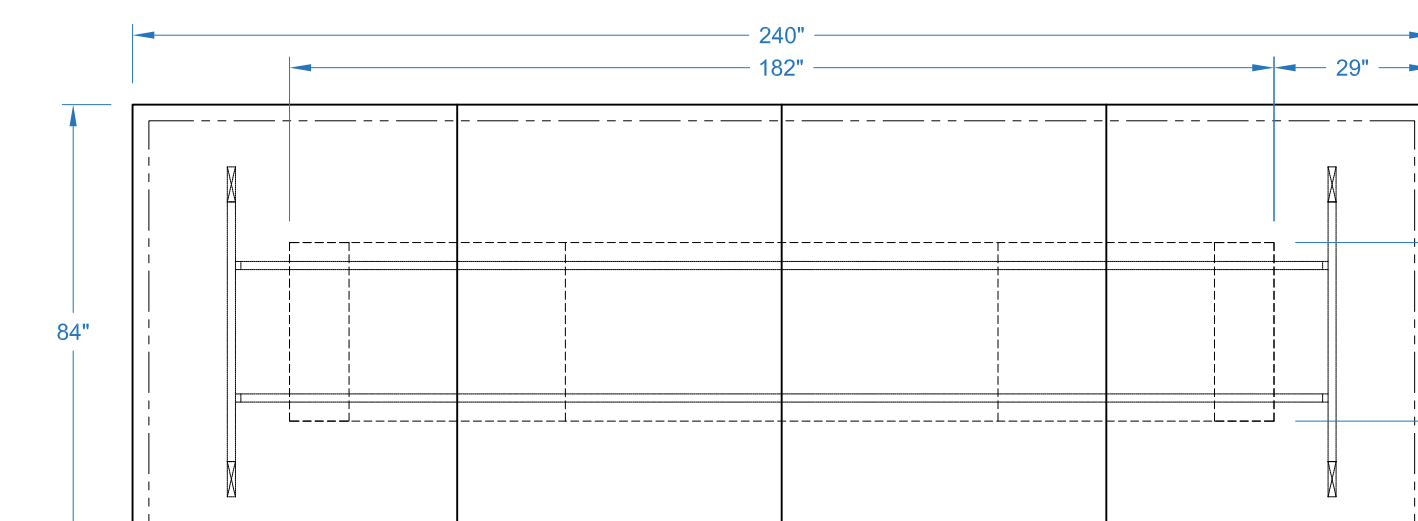
MODEL# 34648/RT
SIZE: 228" X 78"



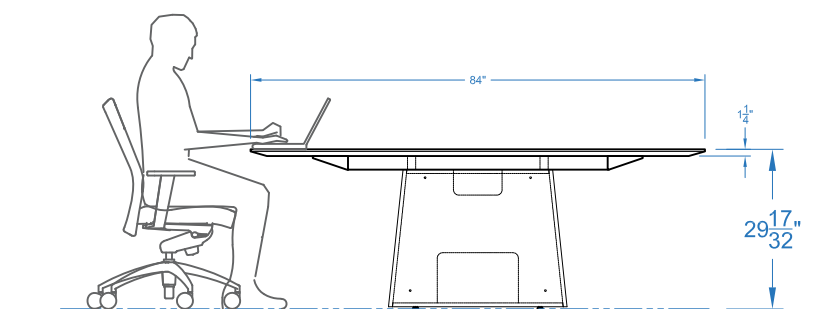
MODEL# 34654/RT
SIZE: 240" X 78"



MODEL# 34649/RT
SIZE: 228" X 84"



MODEL# 34655/RT
SIZE: 240" X 84"



TYPICAL ELEVATION

nienkämper

257 Finchdene Square, Scarborough,
Ontario, Canada, M1X 1B9
Tel 416 298 5700 Fax 416 298 9535
www.nienkamper.com design@nienkamper.com

THIS DRAWING IS CONFIDENTIAL AND PROPRIETARY. NO PART OF THIS DRAWING MAY BE COPIED, DISCLOSED TO ANY THIRD PARTY OR USED FOR ANY PURPOSE WITHOUT THE EXPRESS WRITTEN AUTHORIZATION OF NIENKAMPER FURNITURE & ACCESSORIES

OC-Project: 2D CAD SYMBOLS	Drawing No: 2 OF 2	C.S. Rep:	Issue Drawing To:
Title: SUMMIT CONFERENCE	PART #:	Revision No.	CS CUST. SERVE
Scale: 3/8"=1'-0"	Date: APRIL 17, 2026	R-	
Drawn By: DESIGN DEPT.	Dwg For: WEBSITE	Rev By: & Date:	