

# Pleat™ Conference Table



design: REPUBLIC OF II BY IV

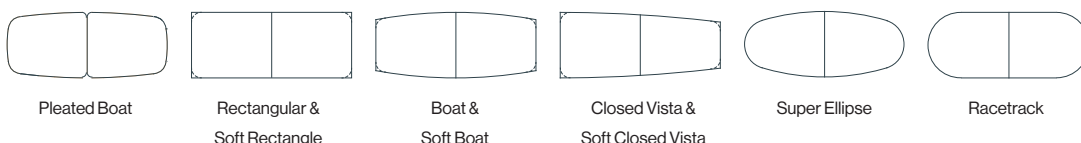
Tailored form. Architectural presence

The Pleat™ Collection is defined by a single gesture, a fold, inspired by pleated fabric. This detail carries through each piece, creating a cohesive language for boardrooms, private offices, and collaborative spaces. A sculptural base, refined metal reveals, and tailored detailing come together to create a collection that is refined, versatile, and grounded in craftsmanship and precision manufacturing.



## PLANNING FLEXIBILITY

Multiple top shapes and sizes to suit a variety of spaces and collaboration needs.



## DETAILS



### Table Top Pleat

A converging radius detail creates a refined transition across adjoining surfaces

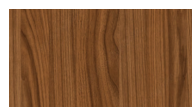
### Base Construction

- Metal Reveal painted in any standard Nienkämper color
- Veneer Outer Wrapping
- Internal Wiring Capacity
- Levelers

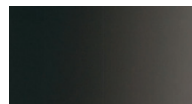


## NEOCON 2026

### Finish Palette:



Cinnamon Walnut Veneer  
Flat Cut Book Match  
Matte Finish



PC-04  
Dark Bronze  
Powder Coat Paint

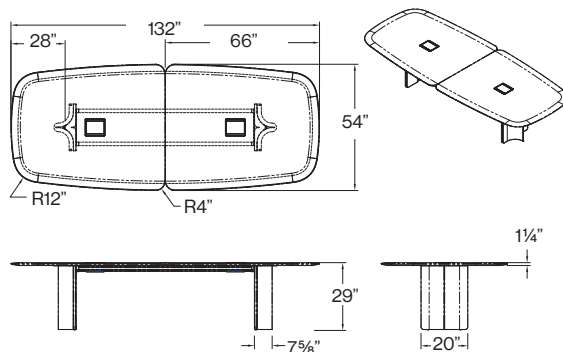
### Integrated Power:



Power / Connectivity  
Vox® Double Sided Forum

## Technical Drawings

### Plan View



## SPECIFICATIONS:

### Top Finishes:

All standard Nienkämper veneer and plastic laminates including finger print resistant.

### Stains & Top Coats:

All standard Nienkämper stain colors and clear finishes (matte, 5, 10, 35, 45 degree sheen)

### Top Sizes:

38" - 72" Deep x 78" - 240" Long

### Top Shapes:

Pleated Boat, Rectangle, Boat, Closed Vista with and without radius corner, Super Ellipse, Racetrack, Round, Square

### Soft Corners:

12" Radius for Pleated Boat - 6" standard shapes

### Base Style:

Fixed height only

### Base Shapes:

Pleat Base 20" & 32" wide (depending on top depth)

### Base Construction:

Metal frame with veneer cladding

**Height Adjustable:** No

**Cable Thru Base:** Yes

### Misc. Base Details:

1 1/2" leveling standard,

### Base/ Table Heights:

29" standard top

**Base Finishes:** Veneer

### Edges:

All standard and premium edge profiles

### Connectivity:

In surface: M-Series, Double Sided, Simple Forums \*NO FORUMS CAN BE PLACED OVER BASE\*

Under Surface: Simple Forums

Specialty: Power Trough, Power Edge, Power Drawer

**Cable Management:** Wire pan, Cable conduits, wire clips

### Alt Top Materials:

Natural & Engineered Stone, Glass

### Customizable:

Top Sizes and Shapes

## SPECIFIER SUPPORT:

### Lead Time

Standard 10 weeks / Custom 12 weeks

### Warranty

5 Years

### Test Standards

BIFMA Compliant - Pending

### Power

UL, cUL & CSA Listed Components,

### Sustainability

FSC® Options Available | LEED Contribution

### Made in

Canada