

Pleat™ Workstation
REPUBLIC OF II BY IV



The Pleat™ Collection is defined by a single gesture, a fold, inspired by pleated fabric. This detail carries through each piece, creating a cohesive language for boardrooms, private offices, and collaborative spaces. A sculptural base, refined metal reveals, and tailored detailing come together to create a collection that is refined, versatile, and grounded in craftsmanship and precision manufacturing.

Top Finishes:

All standard Nienkämper veneer and plastic laminates including finger print resistant.

Case Finishes:

All standard veneers and plastic laminates including finger print resistant.

Base Finish:

Metal Reveal painted in any standard Nienkämper color.
Veneer Outer Wrapping

Tack Panel Finish:

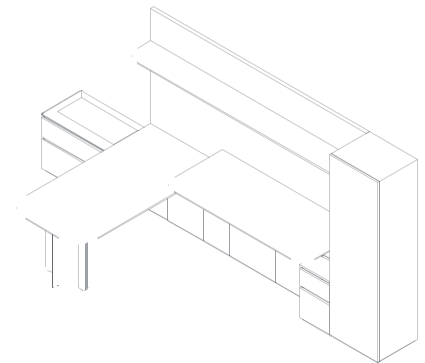
Full fabric, Split material veneer & fabric (side by side or below and above shelf), Glass white board

Lighting:

Flush mount LED 24V 2700k, dimmable strip light in extruded aluminum channel - in surface or wireless remote switch options

Pulls:

Touch, Integrated Scallop, all standard pull styles



Dimensions:

Foot Print: 168" x 73 1/2"
Fixed Desk: 72" x 36" x 29"
H-Adj Desk: 70" x 30" x 28" - 42"H
Soft Corners: 8" Radius
Closet: 24" x 20" x 78"H
Fixed Pedestal: 1B/1F 15" x 20" x 27"H
Fixed Pedestal Lateral: 1B/1F 36" x 20" x 29"H
Tack Panel 108" x 10" Veneer | 108" x 55" Fabric
Shelf: 108" x 12 1/2" x 3/4"

nienkämper

