

# Pleat Workstation

Republic of II X IV



The Pleat™ Collection is defined by a single gesture, a fold, inspired by pleated fabric. This detail carries through each piece, creating a cohesive language for boardrooms, private offices, and collaborative spaces. A sculptural base, refined metal reveals, and tailored detailing come together to create a collection that is refined, versatile, and grounded in craftsmanship and precision manufacturing.

#### Top Finishes:

All standard Nienkämper veneer and plastic laminates including finger print resistant.

#### Case Finishes:

All standard veneers and plastic laminates including finger print resistant.

#### Base Finish:

Metal reveal painted in any standard Nienkämper color. Veneer outer wrapping .

#### Tack Panel Finish:

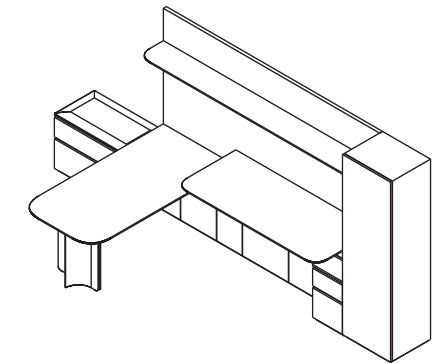
Full fabric, split material veneer & fabric (side by side or below and above shelf), glass white board .

#### Lighting:

Flush mount 24V LED 2700k, dimmable strip light in extruded aluminum channel - in surface or wireless remote switch options.

#### Pulls:

All Nienkämper standard pull styles.



#### Dimensions:

Foot Print: 168" x 73 1/2"  
Fixed Desk: 72" x 36"x29"  
H-Adj Desk: 70"x 30" x 28"- 42"H  
Soft Corners: 8" Radius  
Closet: 24" x 20" x 78"H  
Fixed Pedestal: 1B/1F 15" x 20" x 27"H  
Fixed Pedestal Lateral: 1B/1F 36" x 20" x 29"H  
Tack Panel 108" x 10" Veneer | 108" x 55" Fabric  
Shelf: 108" x 12 1/2" x 3/4"

# nienkämper

