

Vox® Conference - Tambour Base



design: Nienkämper

Architectural detailing with integrated functionality

The Vox® Tambour base brings architectural texture and sculptural depth to the Vox® Collection. Defined by its rhythmic tambour-inspired form, the base introduces warmth, dimension, and refined detailing while maintaining a clean, unified presence. Integrated power and data capabilities, durable construction, and flexible configurations support collaborative environments where craftsmanship and functionality are equally important.



BASE STYLE OPTIONS



Tambour Soft Square



Tambour Radius End



Tambour Rectangle

DETAILS

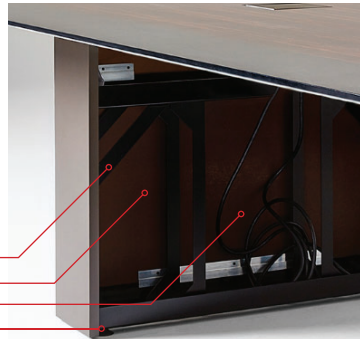


Refined Vox® Power Drawer

Thinned Overall Profile
1/4" Reveal Detail (Metal Accent Available)
Re-imagined Drawer Front
Visual Unity Between Stone, Glass, Veneer and Laminate Tops

Base Construction

- Steel Structural Struts
- Large Wiring Capacity
- Dual Lift-Off Access Panels
- Large Leveling Capability



NEOCON 2026

Finish Palette



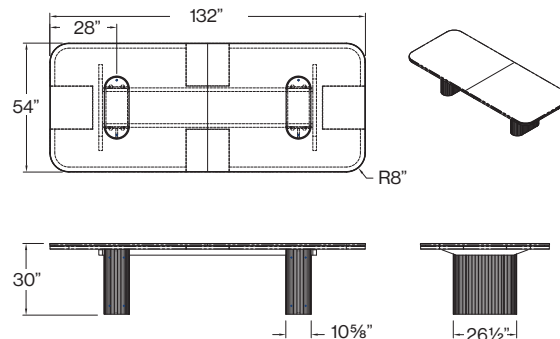
Natural Stone
Ocean Silver Travertine
Honed



Umbra Gray
RAL 7022 Paint
Bases, rails, subtop & Power Drawer

Technical Drawings

Plan View



SPECIFICATIONS:

Top Finishes:

All standard Nienkämper veneer and plastic laminates including finger print resistant.

Stains & Top Coats:

All standard Nienkämper stain colors and clear finishes (matte, 5, 10, 35, 45 degree sheen)

Top Sizes:

72"x36" - 240"x84"

Top Shapes:

Rectangle, Boat, Closed Vista with and without radius corner, Super Ellipse, Racetrack, Round, Square

Soft Corners:

8" Rad

Base Style:

Fixed height

Base Shapes:

Racetrack, Round, Filleted Square

Base Construction:

MDF / Veneer Tambour cladding over plywood frame with metal struts

Height Adjustable:

No

Cable Thru Base:

Yes

Misc. Base Details:

1 1/2" leveling standard,

Base/ Table Heights:

28 1/2" standard top / 30" with Power Drawer

Base Finishes:

Painted and select veneers (Oak & Walnut)

Edges:

All standard and premium edge profiles

Connectivity:

In surface: M-Series, Double Sided, Simple Forums *NO FORUMS CAN BE PLACED OVER BASE*

Under Surface: Simple Forums

Specialty: Power Trough, Power Edge, Power Drawer

Cable Management:

Wire pan, Cable conduits, wire clips

All Top Materials:

Natural & Engineered Stone, Glass

Customization:

Top Sizes and Shapes

SPECIFIER SUPPORT:

Lead Time

Standard 10 weeks / Custom 12 weeks

Warranty

5 Years

Test Standards

BIFMA Compliant - Pending

Power

UL & cUL Listed Components

Sustainability

GREENGUARD Certified | FSC® Options Available | LEED Contribution

Made in

Canada