

LOVOL

CONSTRUCTION EQUIPMENT

ROBUST RELIABLE SUPPORTED

FR1000F



- Weichai Engine - 571kw / 1800rpm
- Bucket Capacity - 7.0m³
- Operating Weight - 101 000 kg

POWERED BY

DURA
EQUIPMENT
SALES

Technical Specifications

ENGINE

Model	WEICHA16M33
Type	Diesel
Number of Cylinders	6
Bore	150mm
Stroke	185mm
Horsepower	571kW
Rated RPM	1800 RPM

DRIVE

Travel Motor	KYB
Maximum Travel Speed	3.6km/h
Steering Control	2 Levers/Pedals
Drive Method	Hydrostatic
Max Pressure	36.8 Mpa

HYDRAULICS

Main Pump Type	Linde
Main Valve	Linde
Swing Motor	Linde
Boom Cylinder	Hengli
Bore	215mm
Stroke	150mm
Diameter	1967mm
Stick Cylinders	Hengli
Bore	240mm
Stroke	170mm
Diameter	2262mm
Bucket Cylinder	Hengli
Bore	220mm
Stroke	150mm
Diameter	1586mm
Travel Circuit	36.8 Mpa
Swing Circuit	29 Mpa
Pilot Circuit	3.9 Mpa
Hydraulic Piping	Standard
Pump Flow	960L/min
Pump Pressure	34.3/37.3 Mpa

SWING SYSTEM

Drive Method	Hydrostatic
Swing Speed	6 r/min
Swing Circle Lubrication	Grease
Swing Lock	Oil-disk Brake
Swing Reduction	Planetary Gear
Max System Pressure	36.8 Mpa

FRONT LINKAGE

Bucket Type	General Purpose/ Rock Bucket
Bucket Breakout Force	374KN (37774kg)
Bucket Capacity	7.0m ³
Bucket Options	As per Application
Boom Length	7250mm
Stick Length	2925mm

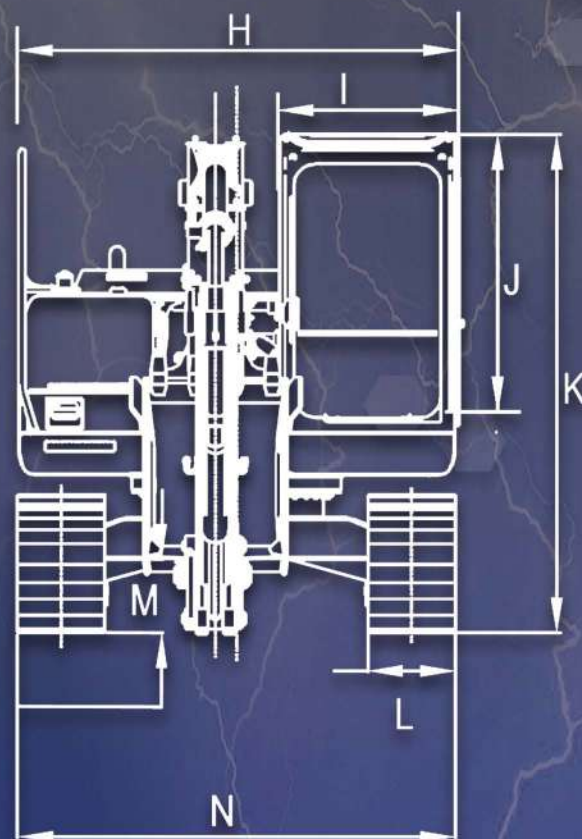
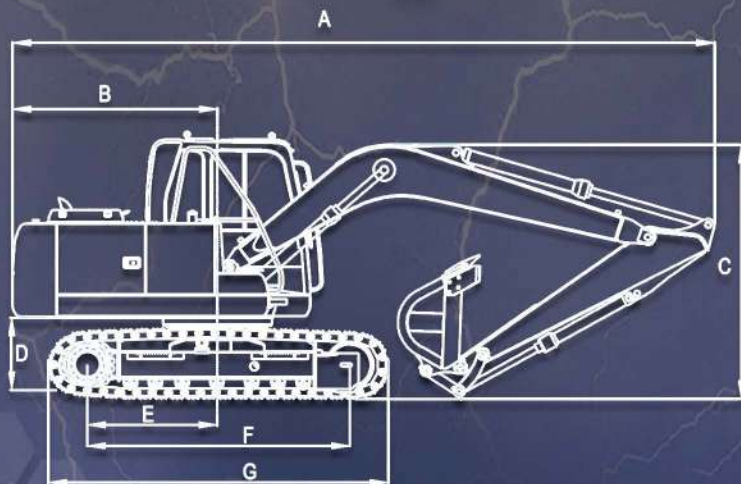
SERVICE REFILL CAPACITIES

Fuel Tank	1260L
Engine Oil	68L
Final Drive	14/26L
Hydraulic Tank	840L

UNDERCARRIAGE

Frame	X-Type Adjustable
Rail Distance	2790mm/3350mm
Track Width of Shoe	800mm
Undercarriage Width	4472/3712mm
Track Length	6350mm
Number of Shoes	51
Number of Carrier Rollers	3
Number of Track Rollers	9

Dimension Specifications



Overall Dimensions (mm)	
A) Overall Length	14050mm
B) Swing Radius	5020mm
C) Height of Boom	7250mm
D) Counterweight Clearance	1645mm
E) Centre to Middle of Track Frame	2587mm
F) Distance of Track on Ground	5090mm
G) Undercarriage Length	6350mm
H) Overall Width of body	4380mm
I) Cab Width	1094mm
J) Cab Height	1812mm
K) Height to Top of Cab	3770mm
L) Track Shoe Width	800mm
M) Ground Clearance	920mm
N) Undercarriage Width	4472mm

Working Ranges (mm)	
O) Max Cutting Height	12640mm
P) Max Dumping Height	8300mm
Q) Max Digging Depth	7000mm
R) Centre to Max Digging Depth	8600mm



WARRANTY

1 Year Unlimited Hours Warranty or 24 Months / 5000 Hours Warranty
6 Months / 1000 Hours Electrical Warranty
4 Complimentary Services (250/500/750/1000 Hours)



MACHINE

Quality **Robust, Reliable, Supported** equipment.
Basic mechanical operation with basic electronics for easy maintenance.
Various attachments are available for your specific needs.
We guarantee 24/7 Backup and Support from Dura Equipment Sales.
We host an on-site state-of-the-art workshop for repairs.
On-site support is rendered by qualified field technicians.
Full mine spec machine (Aircon, ROPS/FOPS cab, Fire extinguisher).
Dura Equipment Sales is the sole agent for Lovol Construction Equipment in South-Africa.



We guarantee full parts availability on all Lovol Construction Equipment. Dura Equipment Sales is the sole provider for Lovol Construction Equipment.

Gauteng: (Head Office)
+27 (0) 11 918 4760
admin@durasales.co.za
46 Viewpoint rd Bartlett Boksburg
GPS: 29 10' 28.95" S 28 15'04.39"

North West:
+27 (0) 79 874 5458
marketing@durasales.co.za
8 Wordsworth Ave
Orkney, North West

Western Cape:
+27 (0) 21 988 6618
capeadmin@durasales.co.za
30 Kiaat street, Kraaifontein Industrial,
Kraaifontein, Cape Town

KwaZulu-Natal / Richards Bay:
+27 (0) 82 453 0795
marketing@durasales.co.za
122 Alumina Allee, Alton,
Richards Bay

POWERED BY



All dimensions are shown in millimetres, unless stated between brackets. Under our policy of continuous improvements, we reserve the right to change specifications and design without prior notice. Photographs features in this brochure may include optional equipment.

Terms and Conditions Apply

www.durasales.co.za

WEICHAI