



sonus

Loda & Loda LED

Sonus Wood

Sonus Organics

With Nature. For People. By Sonus.

A collection born from the belief that natural materials and modern performance belong together. Sonus Organics harnesses nature's own relentless design to create acoustics that are as healthy — for people and planet — as they are beautiful.

Specifications

Product Name	Loda & Loda LED
Content	Premium wood veneer and an acoustical core with 56% recycled content
Thickness	2" (nominal)
Length	4', 6', 8' (Custom lengths available)
Height	6", 8", 12" (Custom heights available)
Tolerance	1/16"
Weight	3.4lbs per sq. ft.
Sound Performance	ASTM C423-17 NRC: 1.12
Fire Performance	Class A materials
Variations	Slight and consistent variations in color and woodgrain should be expected when using this material. Slight imperfections are within normal manufacturing tolerances and not visible in standard installations.
Maintenance	Vacuum to remove any loose dirt or dust. A damp cloth or compressed air can also be used to dust the material in difficult or large installations. If stains are present, you may saturate a lint-free cloth with a soap and water solution or Murphy's Oil soap.
Warranty	5 years
Unit of Sale	Per carton: 4

Price



Snap the QR Code or visit sonusna.com to see pricing.

Sonus is the only manufacturer to have published universal pricing because:

- 1) We got nothing to hide.
- 2) We are here for you.

Specifications



Environmental

- Designed as a lower-impact alternative to traditional millwork systems
- Veneer production yields up to 3× more material per log, reducing resource consumption
- Responsibly sourced wood supports sustainable forest management practices
- Recon veneer options replicate rare or exotic species without depleting natural resources
- Core materials contain high recycled glass content
- Available with formaldehyde-free, low-emitting core options
- Manufactured in the USA
- Contributes to acoustic comfort and noise reduction
- Materials tested for fire performance, mold resistance, and moisture durability

Certifications

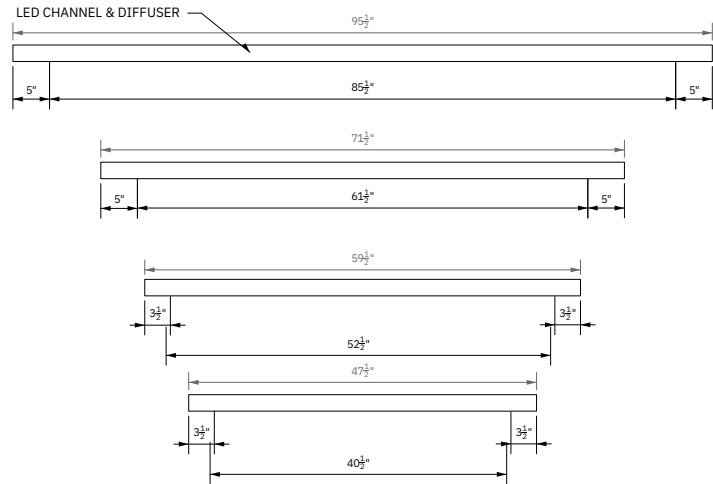
- Designed as a lower-impact alternative to traditional millwork systems
- Veneer production yields up to 3× more material per log, reducing resource consumption
- Responsibly sourced wood supports sustainable forest management practices
- Recon veneer options replicate rare or exotic species without depleting natural resources
- Core materials contain high recycled glass content
- Available with formaldehyde-free, low-emitting core options
- Manufactured in the USA
- Contributes to acoustic comfort and noise reduction
- Materials tested for fire performance, mold resistance, and moisture durability

Details

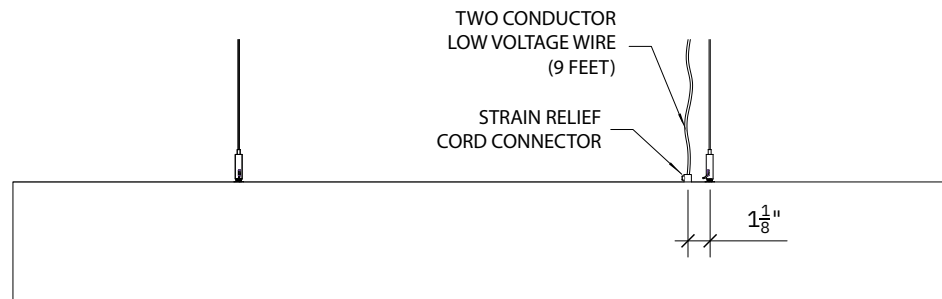
LED BAFFLE DIMENSIONS

STANDARD SIZES

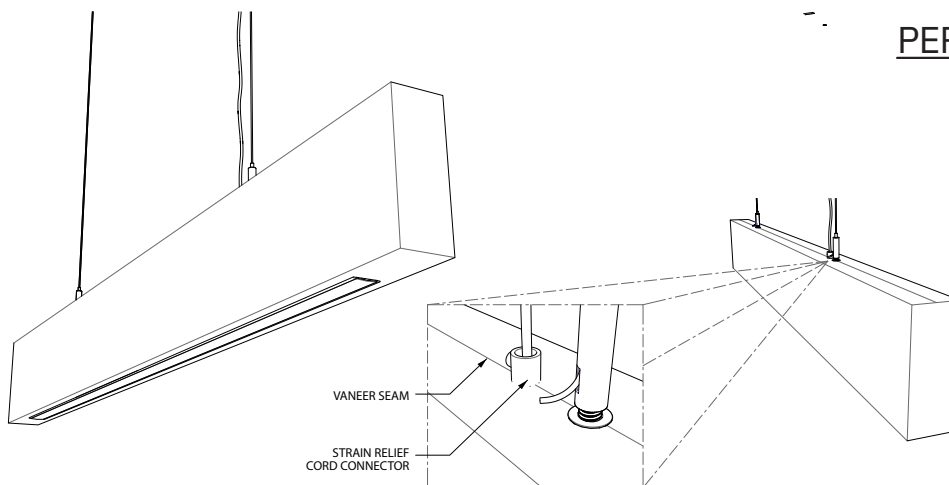
BOTTOM VIEW



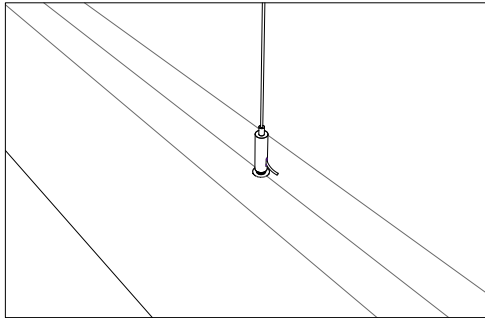
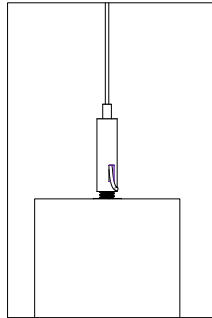
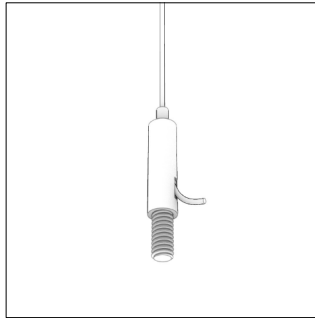
SIDE VIEW



PERSPECTIVE VIEW



Hardware and Installation



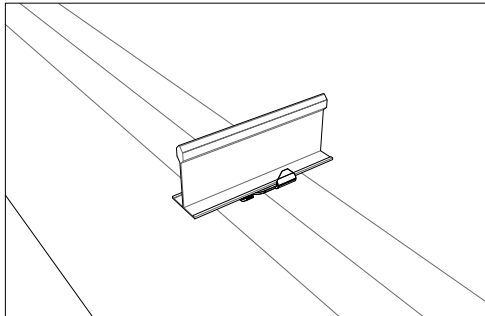
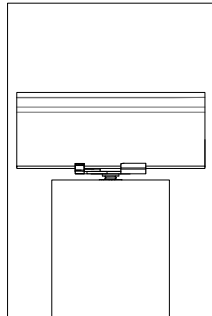
CABLE SUSPENSION

INCLUDED:

2x PER BAFFLE
MALE 1/4-20
CABLE GRIPPERS

--

CEILING HARDWARE AND 1/16"
AIRCRAFT WIRE NORMALLY
PROVIDED BY OTHERS UNLESS
OTHERWISE STATED



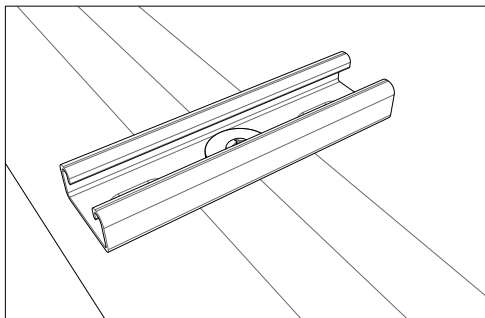
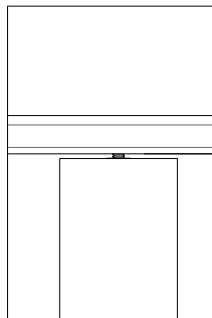
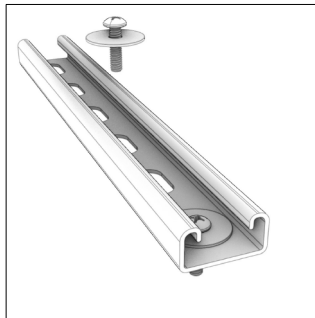
T-GRID

INCLUDED:

2x PER BAFFLE
TWIST CLIPS FOR T-G RID
WITH 1/4-20 STUD

--

15/16" T-G RID INSTALLED
AND PROVIDED BY OTHERS



UNI-STRUT

INCLUDED:

2x PER BAFFLE
1/4-20 MACHINE
SCREWS & WASHERS

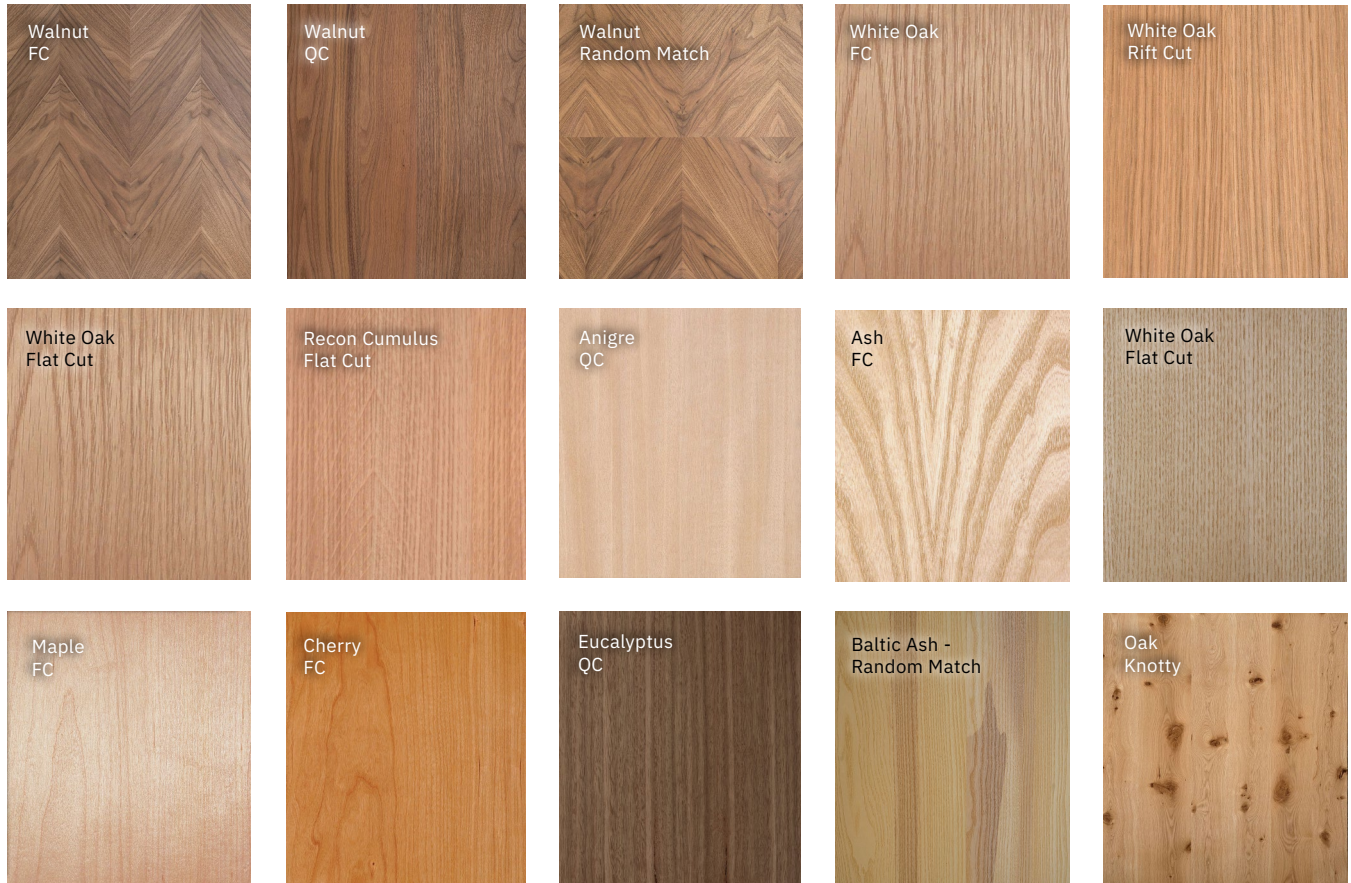
P4000T LOW PRO FILE
UNISTRUT INSTALLED
AND PROVIDED BY OTHERS

MOUNTING OPTIONS

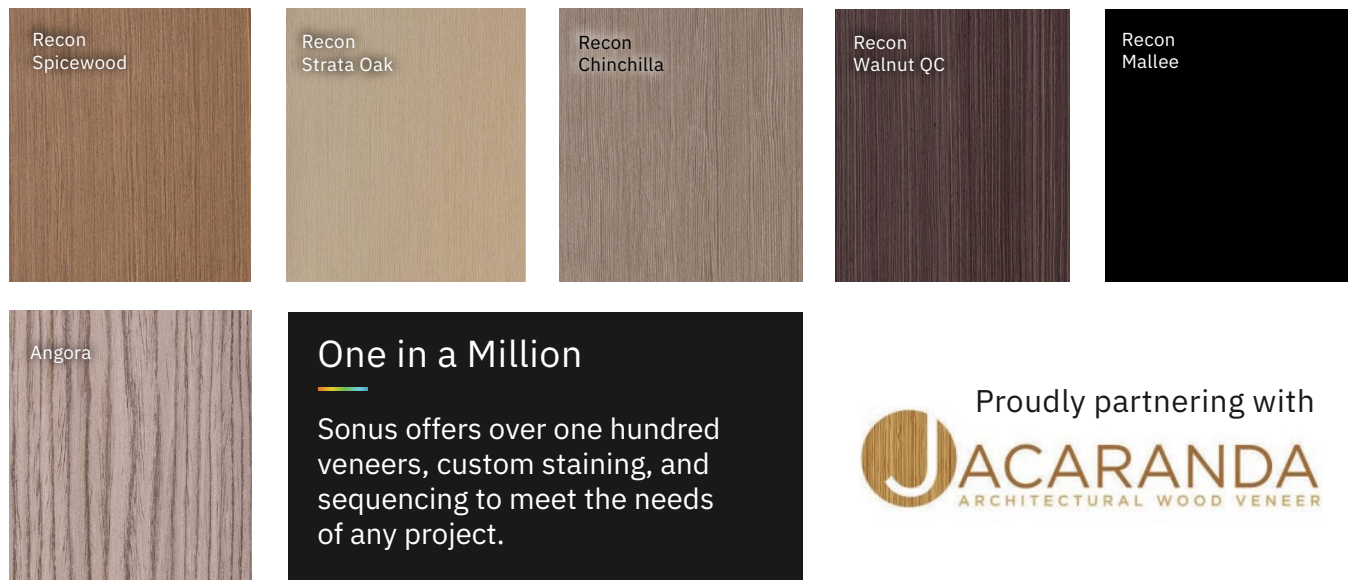
EACH BAFFLE COMES PRE-INSTALLED WITH TWO
1/4-20 FEMALE THREADED INSERTS

Colors and Finishes

Naturals



Recons



One in a Million

Sonus offers over one hundred veneers, custom staining, and sequencing to meet the needs of any project.

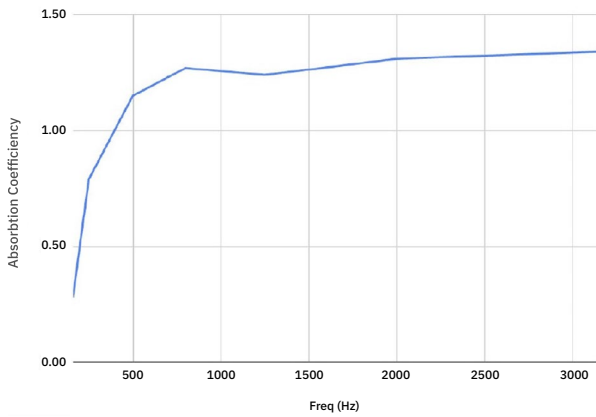


Proudly partnering with

Test Results



Absorption Coefficient vs. Freq (Hz)



Freq (Hz) Absorption Coefficient

160 0.28

250 0.79

500 1.15

800 1.27

1250 1.24

2000 1.31

3150 1.34

NRC 1.12

The Noise Reduction Coefficient (NRC) is calculated as the arithmetic average of the absorption coefficients in the shaded bands only (250, 500, 1250 & 2000 Hz).

ASTM C 423-17: Type J Mounting – using 10 baffle units suspended with aircraft wire. 12" oc to simulate a typical baffle installation.