

The Sonus logo features the word "sonus" in a bold, black, sans-serif font. The letter "o" is stylized with a horizontal rainbow gradient bar passing through its center.A large, dark grey, oval-shaped acoustic panel is shown against a blurred background of a modern interior. A white rectangular label is centered on the panel. The label contains the text "Fabric Cloud" in a bold, black font, followed by a small rainbow gradient bar and the word "Fabric" in a smaller, black font. Thin black lines connect the corners of the label to the panel's surface.

## Fabric Cloud

Fabric

## Sonus Fabric

### Acoustics, Built to Show Up Right

For projects where execution matters as much as design intent, Sonus Fabric delivers consistent acoustic performance, clean detailing, and alignment between what's specified and what arrives on site. Supported by fast answers, precise takeoffs, and acoustic modeling, it reflects a simple reality: performance isn't just acoustic — it's whether everything comes together the way it should.

# Specifications

Product Name	Fabric Cloud
Shape	Rectangles, circles, squares, hexagons, triangles. Custom shapes available.
Dimensional Designs	Aspen, Currents, Dunes, Infinity, Linear, Ripple, Sand Dunes, Silhouettes, Steps, Wave
Content	6–7lb fiberglass board with optional tackable & high-impact resistant facers, 100% post-consumer recycled polyester fabric
Thickness	2" and 4"
Unit Width	Up to 48" (Dimensional sizes fixed)
Unit Height	Up to 120" (Dimensional sizes fixed)
Weight	2" = 1.6 lbs/ sq ft, 4" = 3 lbs/sq ft
Edge Options	Square or Beveled
Sound Performance	ASTM C423-17: NRC 0.80–1.31
Fire Performance	ASTM 84 Class A
Maintenance	Vacuum to remove any loose dirt or dust. You may use a soft or plastic bristle brush to loosen it. Avoid excess pressure. Compressed air can also be used to dust the material in difficult or large installations. Remove ordinary dirt and smudges with a mild soap and water solution and a clean, soft cloth or towel. Dry with a soft lint-free cloth or towel. A melamine magic eraser can be used for more difficult stains. Always apply any cleaning methods to a small area first to test effectiveness and result.
Warranty	5 years
Unit of Sale	Per unit

## Price



Snap the QR Code or visit [sonusna.com](https://sonusna.com) to see pricing.

Sonus is the only manufacturer to have published universal pricing because:

- 1) We got nothing to hide.
- 2) We are here for you.

# Specifications



## Environmental

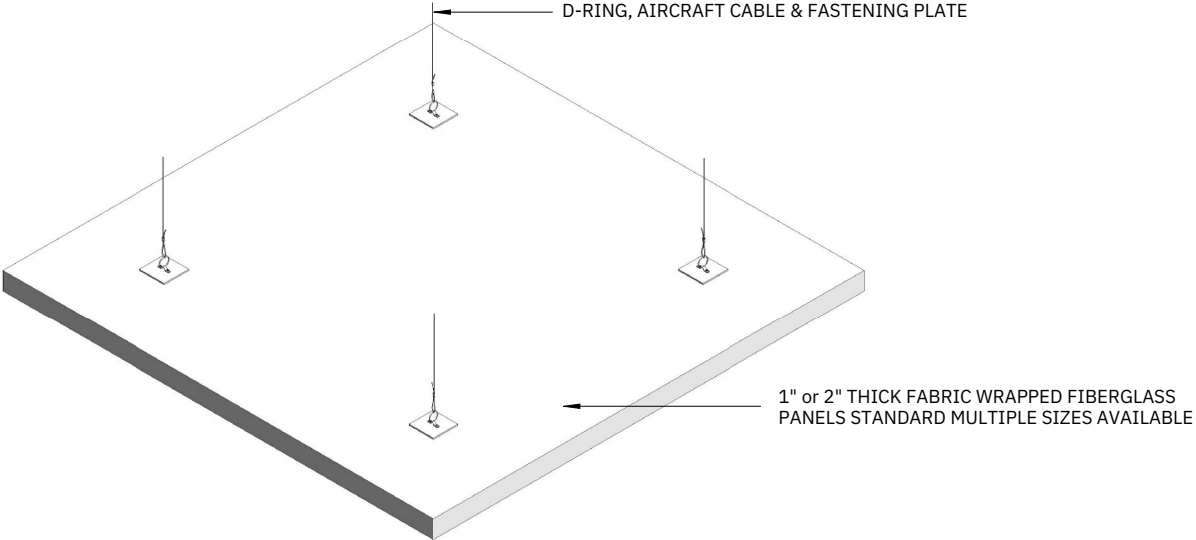
- Made from 100% post-consumer recycled polyester
- PFAS-free (no added fluorinated chemicals)
- Available with high recycled content core
- Available with bio-based, formaldehyde-free binder technology
- Manufactured in the USA
- Contributes to acoustic comfort and noise reduction (NRC ~0.80)
- Meets ASTM E84 Class A fire performance
- Can be specified to support low-emitting material strategies
- Core materials tested for mold resistance and moisture durability
- Designed for long-term dimensional stability and commercial performance

---

## Certifications

- **Indoor Advantage™ Gold – SCS Global Services**  
Certified for low chemical emissions supporting indoor air quality
- **GREENGUARD Certified® (Children & Schools) – UL Solutions**  
Verified low-emitting materials for sensitive indoor environments
- **LBC Red List Approved – International Living Future Institute**  
Free of chemicals on the Living Building Challenge Red List
- **EPD + Transparency Report™ – Third-Party Verified**  
Lifecycle assessment and material disclosure documentation

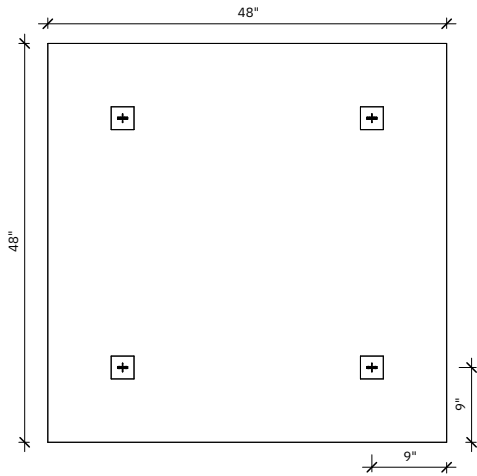
# Details



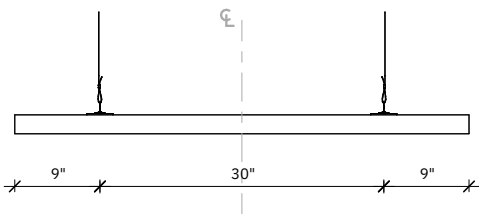
1

FABRIC CLOUD - DIMETRIC

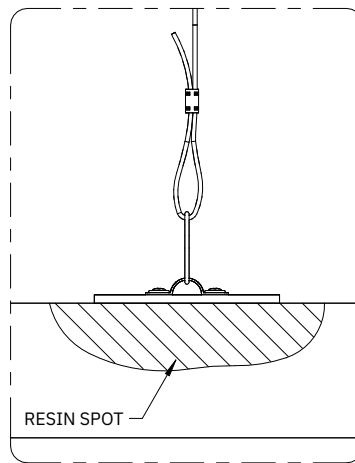
# Hardware and Installation



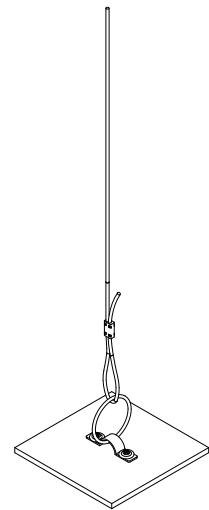
1 FABRIC CLOUD - FLOOR PLAN VIEW



2 FABRIC CLOUD - FRONT VIEW



3 DETAIL A - D-RING W/AIRCRAFT FERRULE



# Colors and Finishes

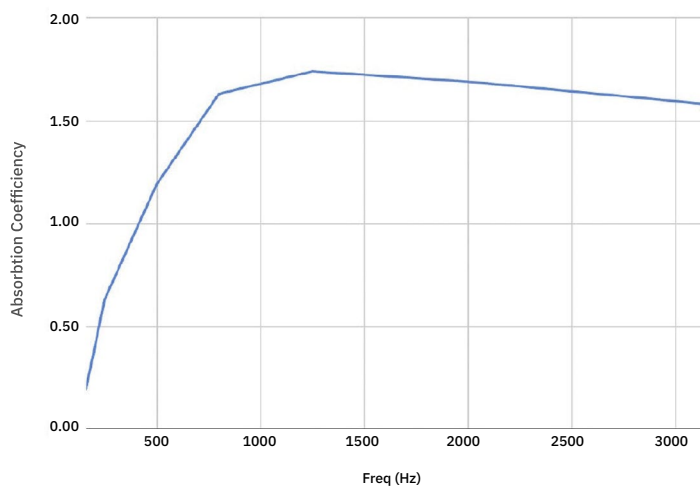
We currently offer over 40 standard colors thanks to our partnership with Burch. See our Sonus Standard Fabrics document on the next page for a complete listing.

We also carry a wide array of other acoustic fabrics and colors by Guilford of Maine, Knoll, Maharam, and more.

## Test Results

### 2" Fabric Cloud

Absorption Coefficiency vs. Freq (Hz)



Freq (Hz)	Absorption Coefficiency
160	0.19
250	0.63
500	1.19
800	1.63
1250	1.74
2000	1.69
3150	1.58
<b>NRC</b>	<b>1.31</b>

The Noise Reduction Coefficient (NRC) is calculated as the arithmetic average of the absorption coefficients in the shaded bands only (250, 500, 1250 & 2000 Hz).

ASTM C 423-17: Type J Mounting - using 8 baffle units suspended with aircraft wire. 12" oc to simulate a typical baffle installation.