
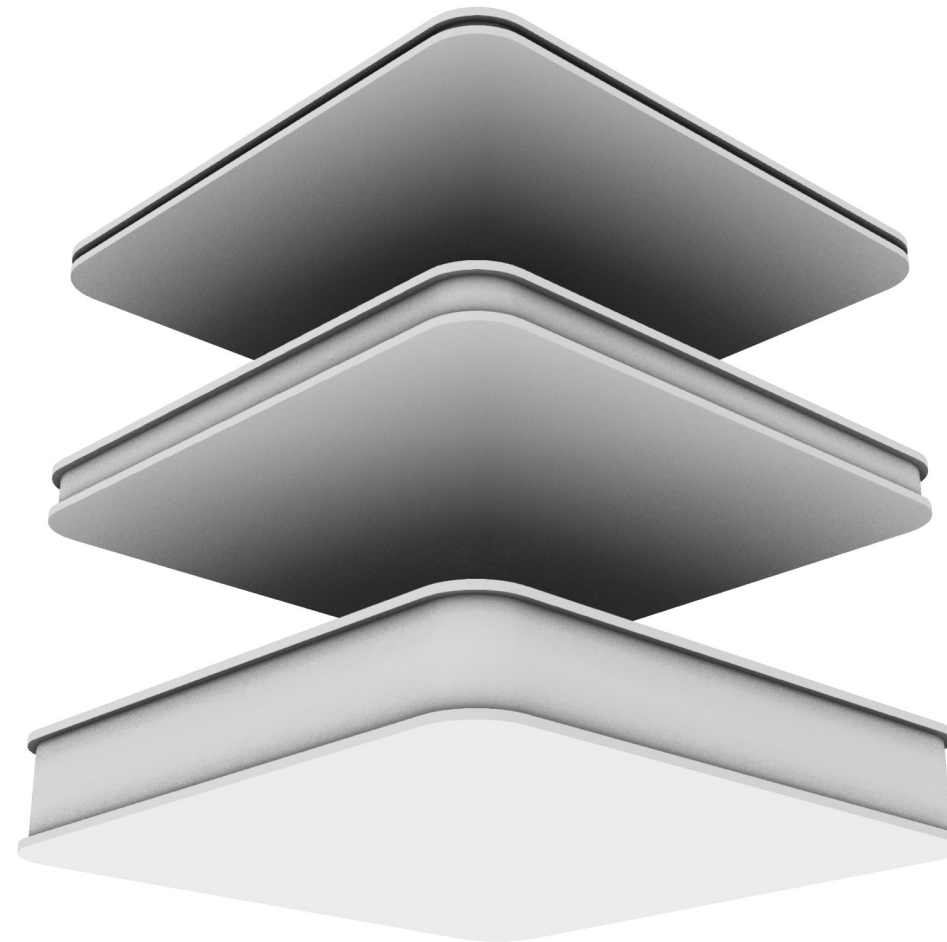
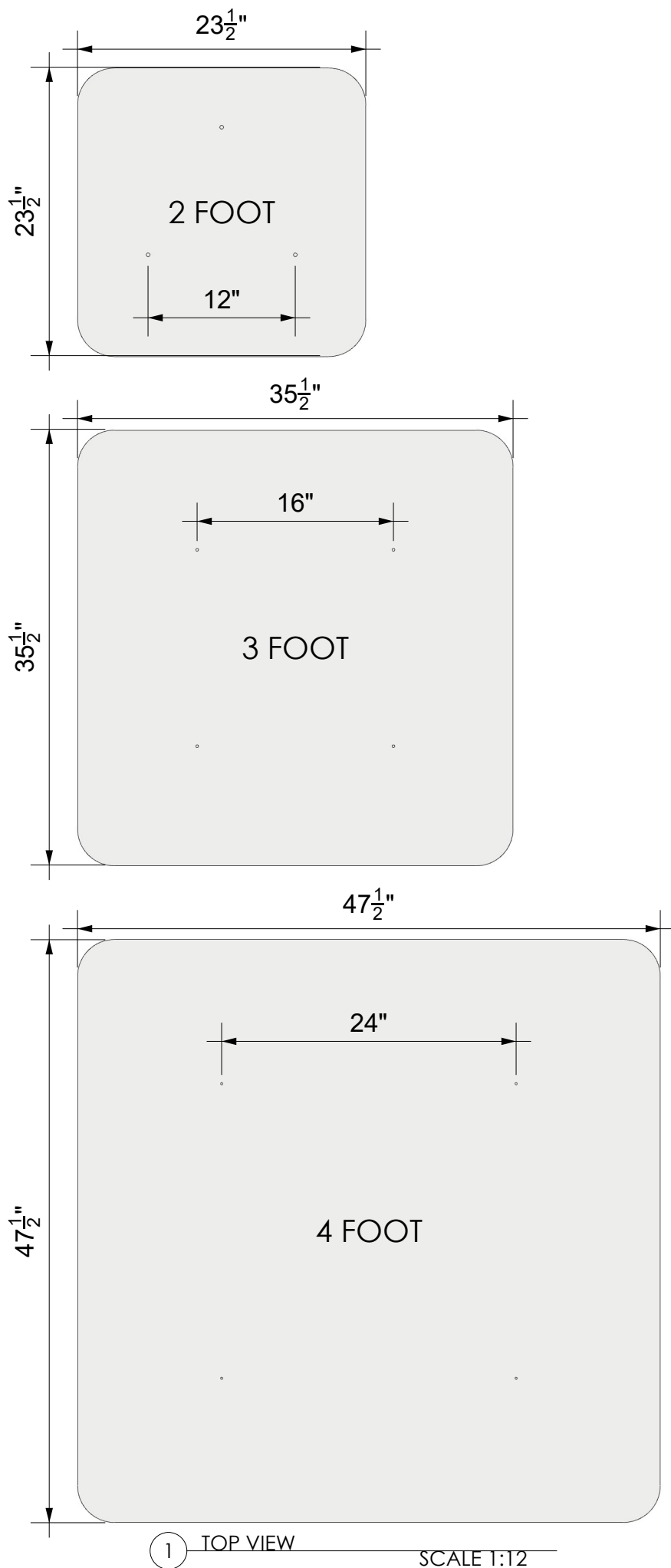


PRODUCT: FELT		DESCRIPTION: CONSTRUCTED FROM 12mm FELT	 www.sonusna.com			
DESIGN: SOUNDWICH						
DRAWN BY:			PROPRIETARY AND CONFIDENTIAL THE INFORMATION CONTAINED IN THIS DRAWING IS THE SOLE PROPERTY OF SONUS NORTH AMERICA ANY REPRODUCTION IN PART OR AS A WHOLE WITHOUT THE WRITTEN PERMISSION OF SONUS NORTH AMERICA IS PROHIBITED			
DATE: 5/28/2026						
SHEET:	SCALE:	REVISIONS:	<input type="checkbox"/>	<input type="checkbox"/>	<input type="checkbox"/>	

ACOUSTIC CLOUD DIMENSIONS

STANDARD SIZES

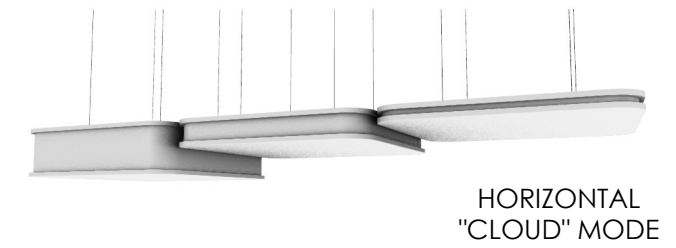
CUSTOM LENGTHS AVAILABLE



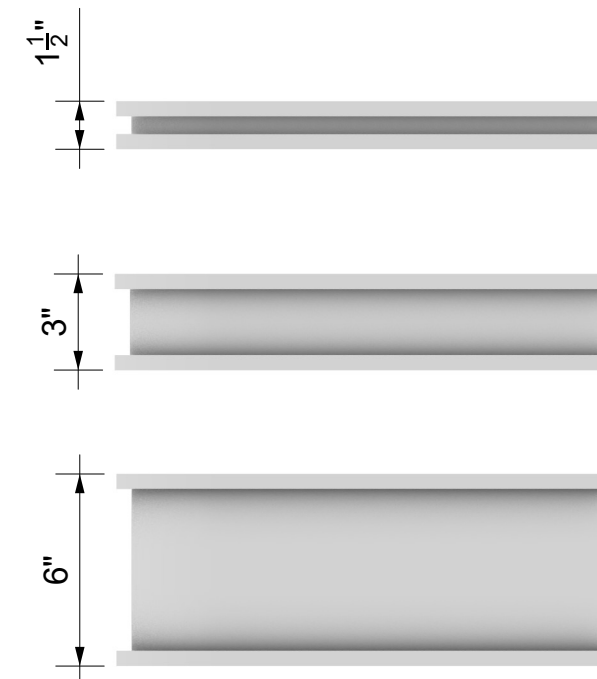
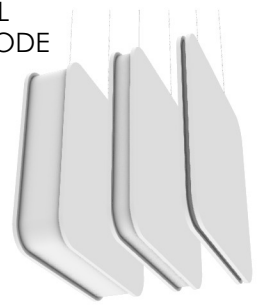
SLAB
SLIM INNER
AIR CAVITY


MID-DEPTH
MEDIUM INNER
AIR CAVITY

FULL-DEPTH
LARGE INNER
AIR CAVITY

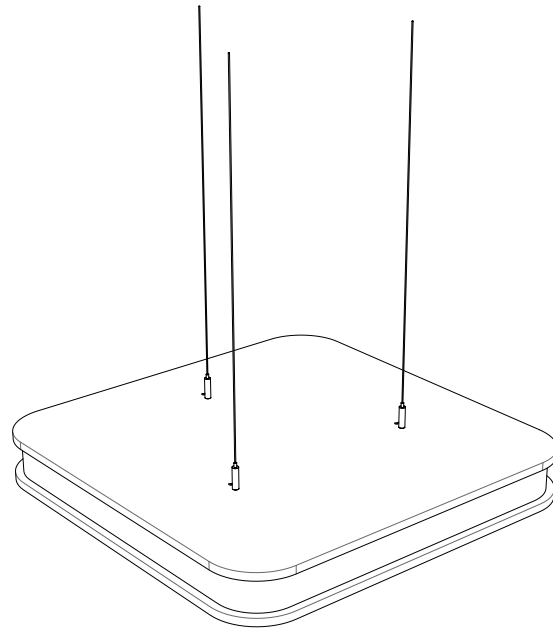


VERTICAL
"BAFFLE" MODE



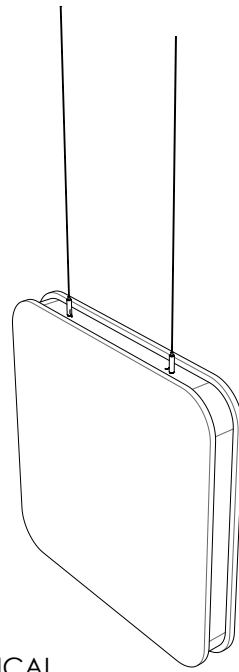
PRODUCT: FELT		DESCRIPTION: CONSTRUCTED FROM 12mm FELT			
DESIGN: SOUNDWICH		 www.sonusna.com			
DRAWN BY:					
DATE: 5/28/2026					
SHEET:	SCALE:				
<p>PROPRIETARY AND CONFIDENTIAL</p> <p>THE INFORMATION CONTAINED IN THIS DRAWING IS THE SOLE PROPERTY OF SONUS NORTH AMERICA ANY REPRODUCTION IN PART OR AS A WHOLE WITHOUT THE WRITTEN PERMISSION OF SONUS NORTH AMERICA IS PROHIBITED</p>					

1 PERSPECTIVE VIEW



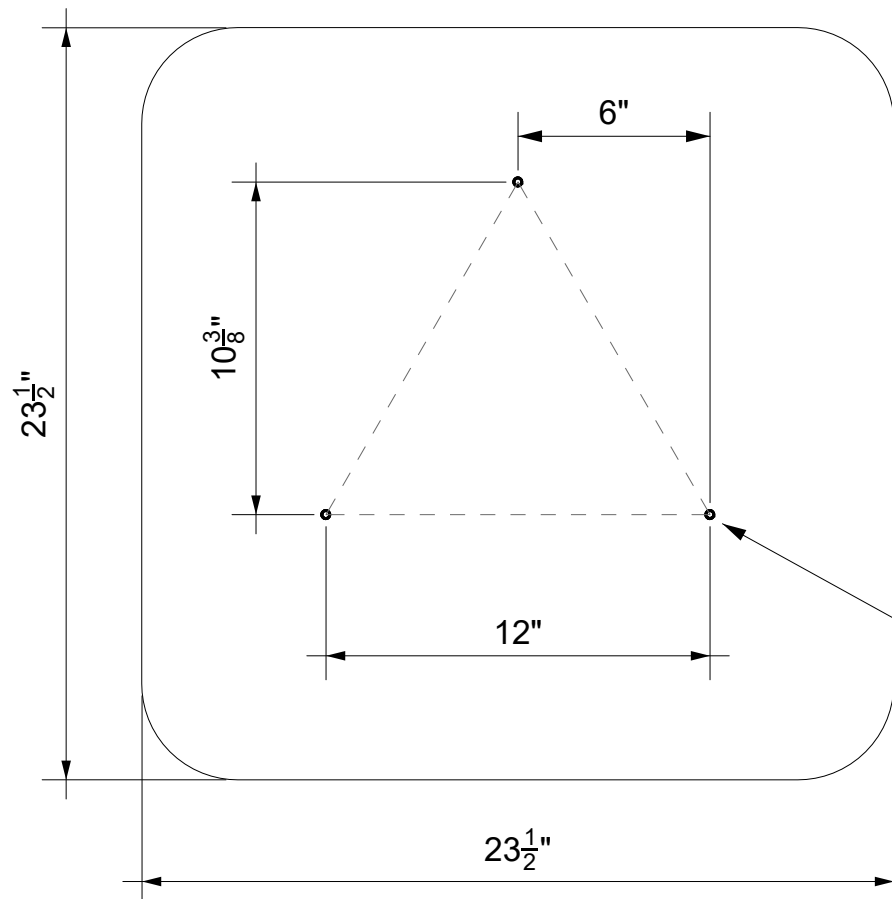
HORIZONTAL
"CLOUD" MODE

2 PERSPECTIVE VIEW



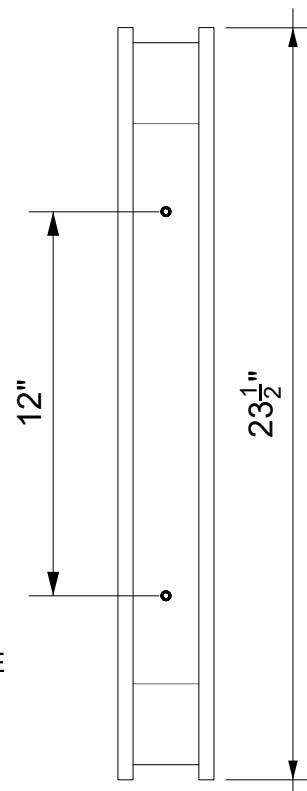
VERTICAL
"BAFFLE" MODE

3 TOP VIEW SCALE 1:6



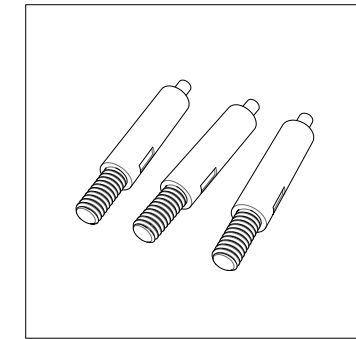
HARDWARE
MOUNTING
POINT

4 TOP VIEW SCALE 1:6



CABLE GRIPPER INSTALL

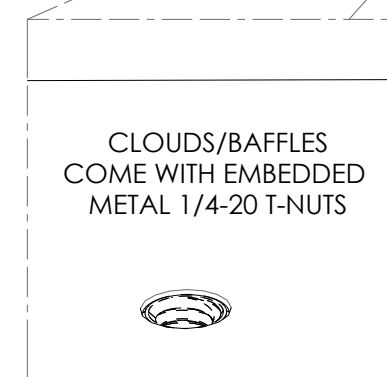
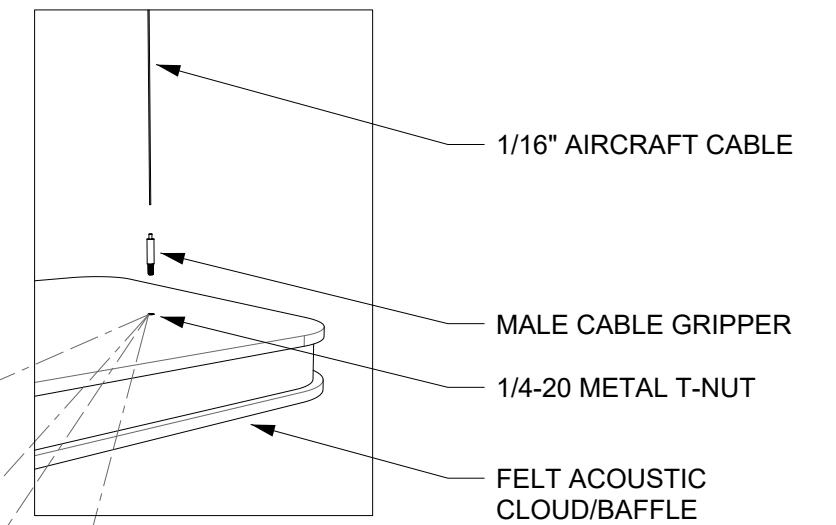
INCLUDED HARDWARE FOR 2 FOOT:




3x MALE CABLE GRIPPERS PER CLOUD
ARE INCLUDED WHEN IN CLOUD MODE

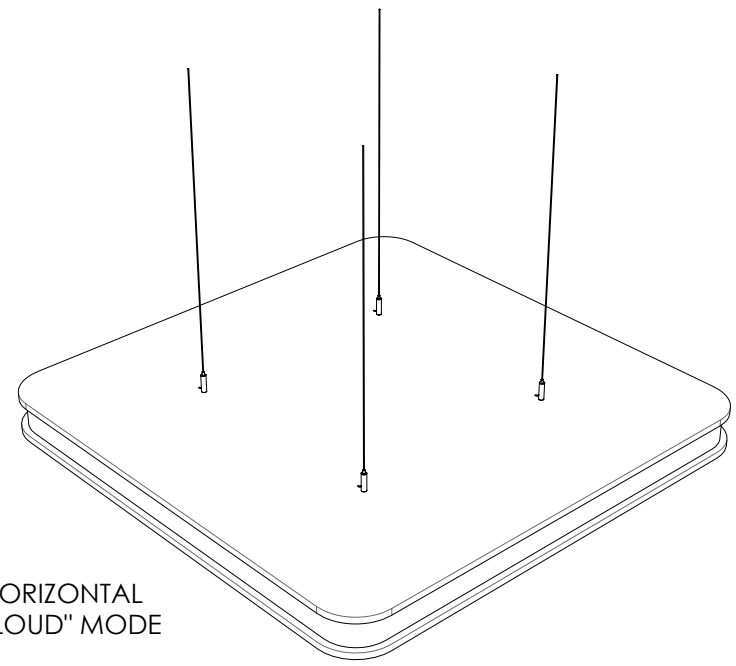
2x MALE CABLE GRIPPERS PER BAFFLE
ARE INCLUDED WHEN IN BAFFLE MODE

CEILING HARDWARE
AND 1/16" AIRCRAFT WIRE
NORMALLY PROVIDED
BY OTHERS UNLESS
OTHERWISE STATED



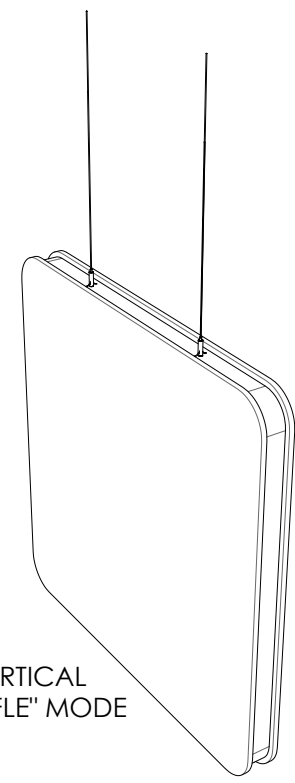
PRODUCT: FELT		DESCRIPTION: CONSTRUCTED FROM 12mm FELT		 www.sonusna.com
DESIGN: SOUNDWICH				
DRAWN BY:				
DATE: 5/28/2026				
SHEET:	SCALE:	REVISIONS:		PROPRIETARY AND CONFIDENTIAL THE INFORMATION CONTAINED IN THIS DRAWING IS THE SOLE PROPERTY OF SONUS NORTH AMERICA ANY REPRODUCTION IN PART OR AS A WHOLE WITHOUT THE WRITTEN PERMISSION OF SONUS NORTH AMERICA IS PROHIBITED

1 PERSPECTIVE VIEW



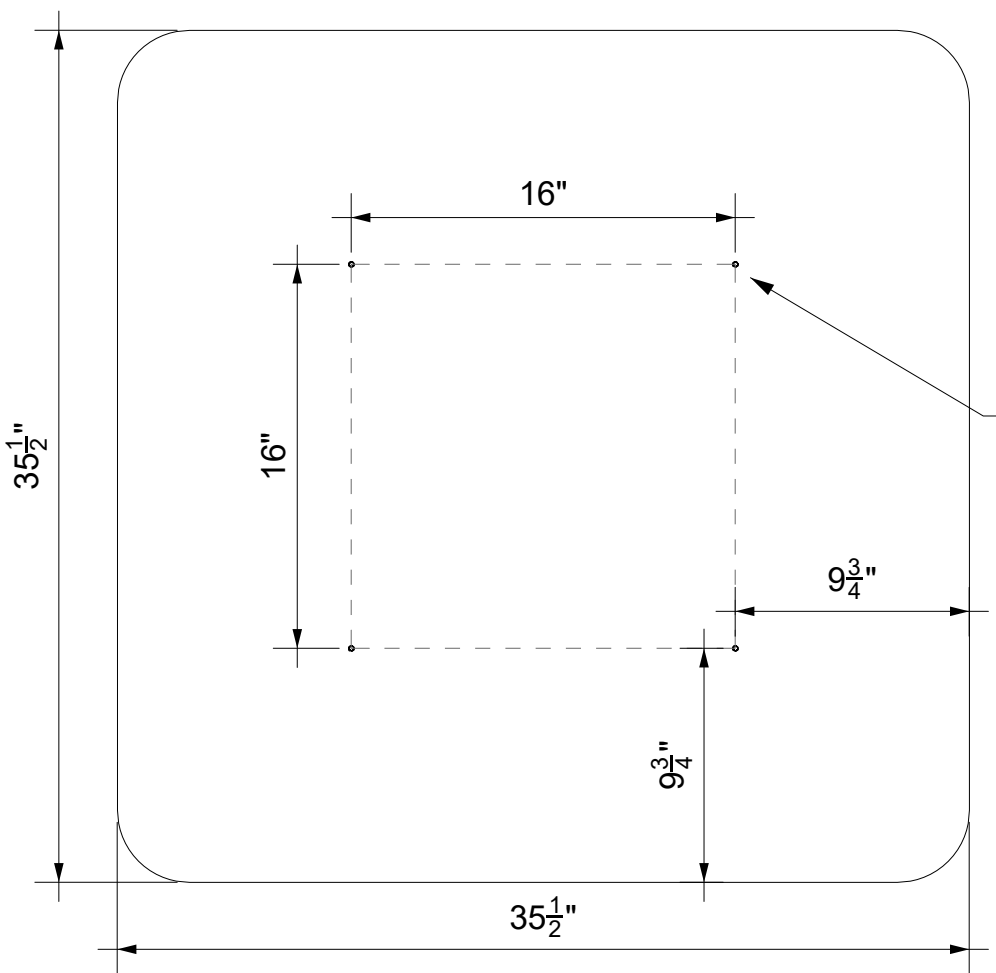
HORIZONTAL "CLOUD" MODE

2 PERSPECTIVE VIEW



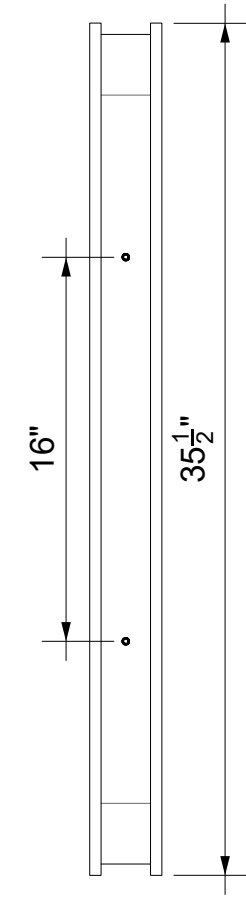
VERTICAL "BAFFLE" MODE

3 TOP VIEW SCALE 1:8



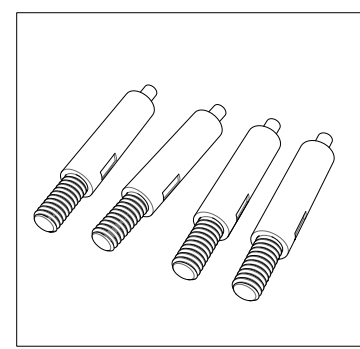
HARDWARE MOUNTING POINT

4 TOP VIEW SCALE 1:8



CABLE GRIPPER INSTALL

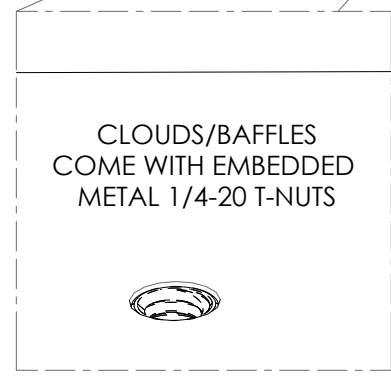
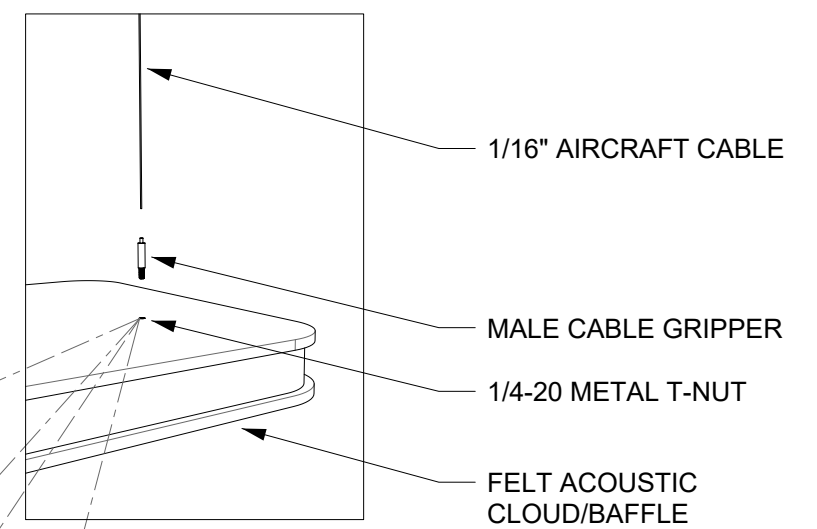
INCLUDED HARDWARE FOR 3 FOOT:




4x MALE CABLE GRIPPERS PER CLOUD ARE INCLUDED WHEN IN CLOUD MODE

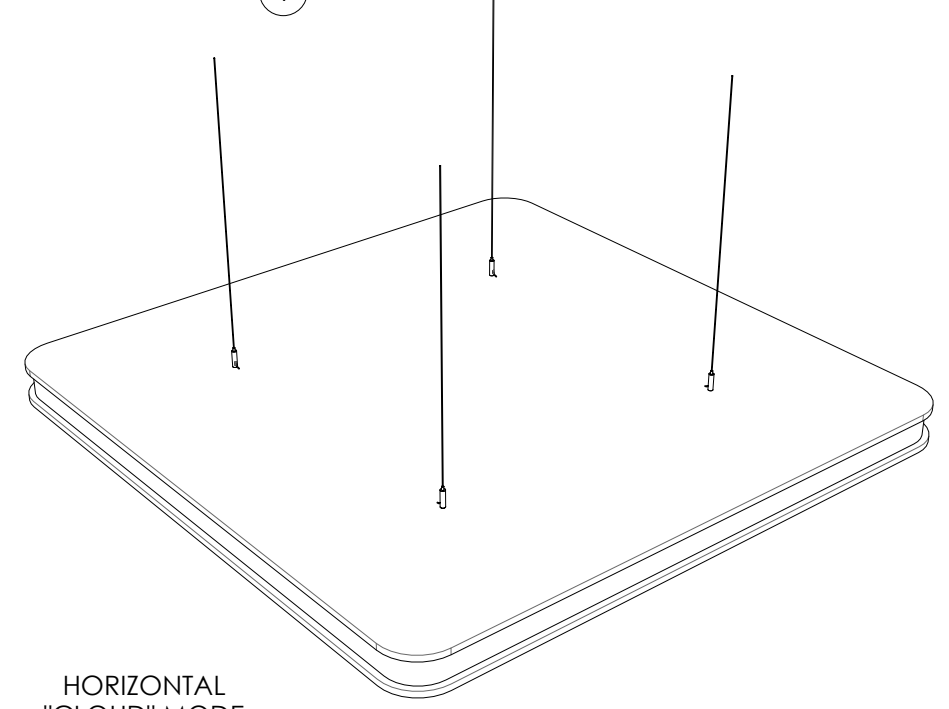
2x MALE CABLE GRIPPERS PER BAFFLE ARE INCLUDED WHEN IN BAFFLE MODE

CEILING HARDWARE AND 1/16" AIRCRAFT WIRE NORMALLY PROVIDED BY OTHERS UNLESS OTHERWISE STATED



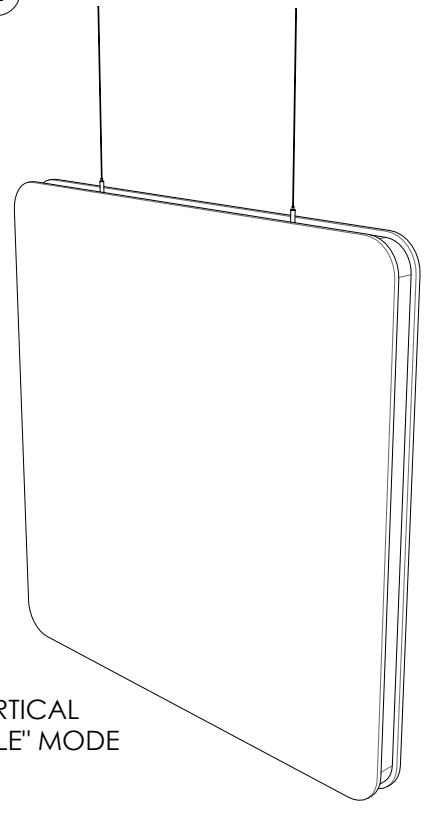
PRODUCT: FELT		DESCRIPTION: CONSTRUCTED FROM 12mm FELT		 www.sonusna.com
DESIGN: SOUNDWICH				
DRAWN BY:				
DATE: 5/28/2026				
SHEET:	SCALE:	REVISIONS:		PROPRIETARY AND CONFIDENTIAL THE INFORMATION CONTAINED IN THIS DRAWING IS THE SOLE PROPERTY OF SONUS NORTH AMERICA ANY REPRODUCTION IN PART OR AS A WHOLE WITHOUT THE WRITTEN PERMISSION OF SONUS NORTH AMERICA IS PROHIBITED

1 PERSPECTIVE VIEW



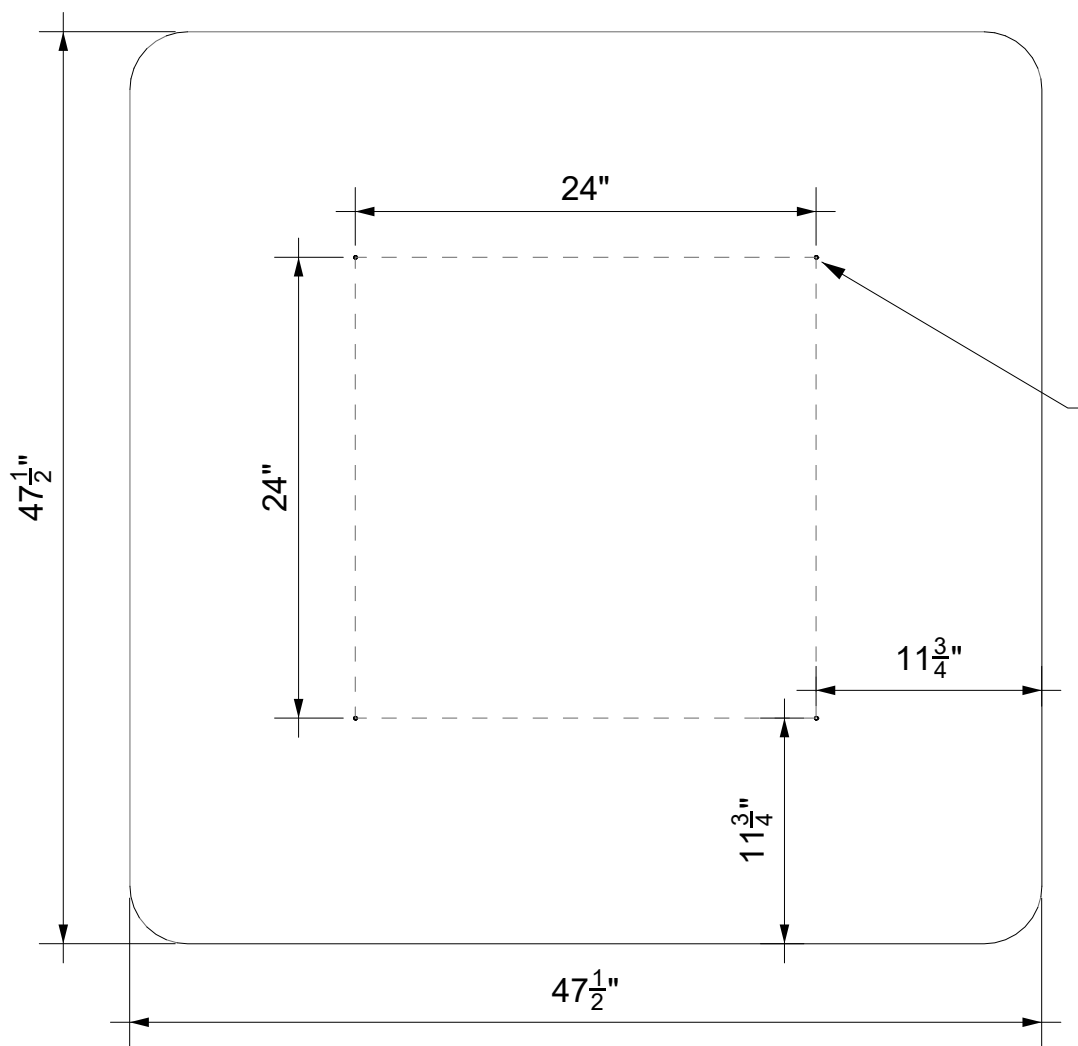
HORIZONTAL "CLOUD" MODE

2 PERSPECTIVE VIEW



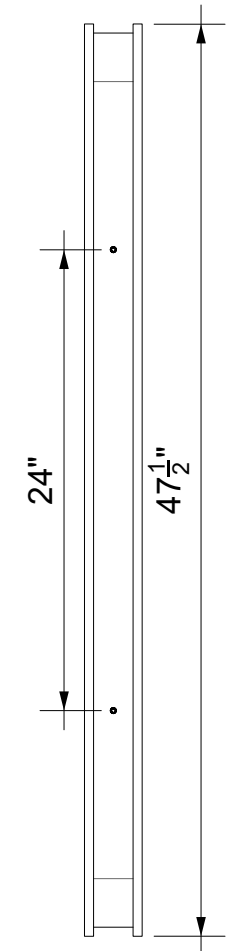
VERTICAL "BAFFLE" MODE

3 TOP VIEW SCALE 1:10



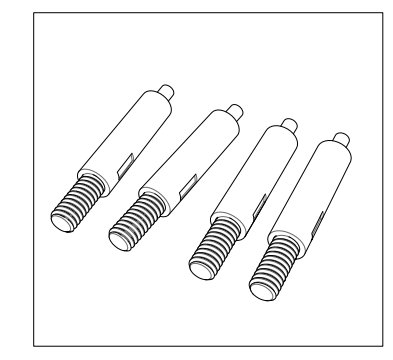
HARDWARE MOUNTING POINT

4 TOP VIEW SCALE 1:10



CABLE GRIPPER INSTALL

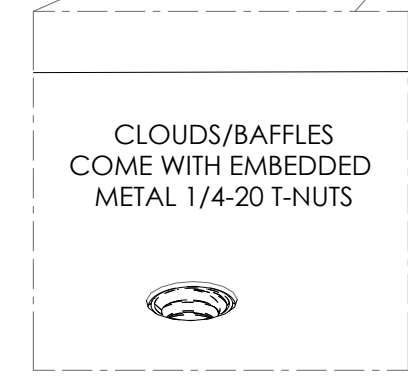
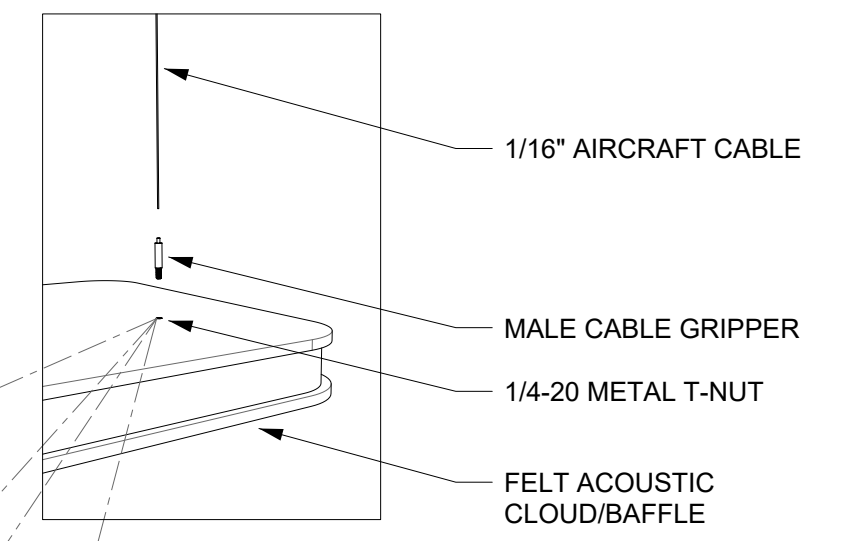
INCLUDED HARDWARE FOR 4 FOOT:




4x MALE CABLE GRIPPERS PER CLOUD ARE INCLUDED WHEN IN CLOUD MODE

2x MALE CABLE GRIPPERS PER BAFFLE ARE INCLUDED WHEN IN BAFFLE MODE

CEILING HARDWARE AND 1/16" AIRCRAFT WIRE NORMALLY PROVIDED BY OTHERS UNLESS OTHERWISE STATED



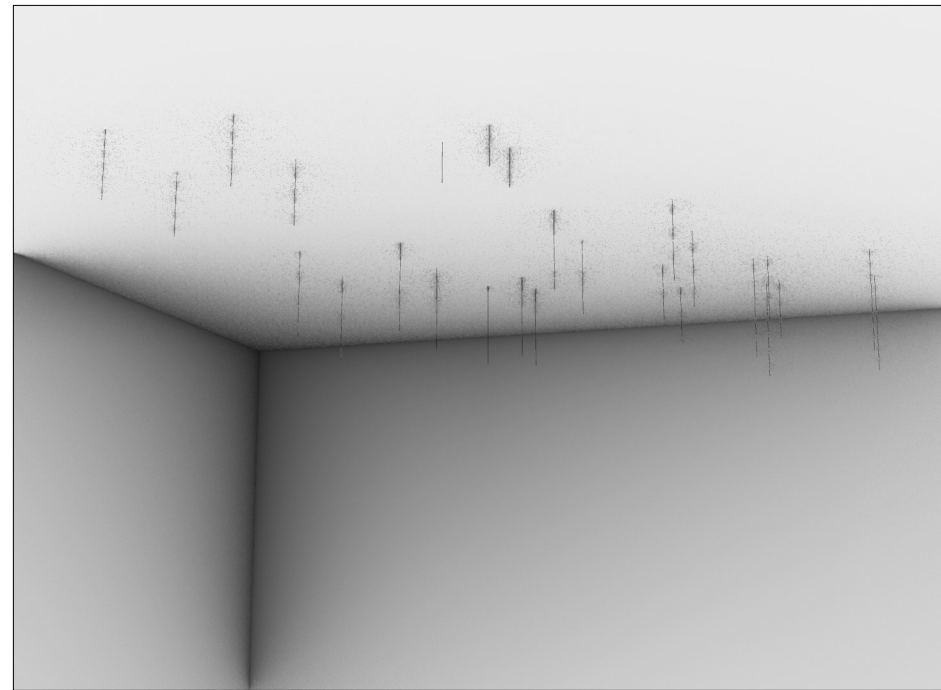
PRODUCT: FELT		DESCRIPTION: CONSTRUCTED FROM 12mm FELT		 www.sonusna.com
DESIGN: SOUNDWICH				
DRAWN BY:				
DATE: 5/28/2026				
SHEET:	SCALE:	REVISIONS:		

PROPRIETARY AND CONFIDENTIAL
THE INFORMATION CONTAINED IN THIS DRAWING IS THE SOLE PROPERTY OF SONUS NORTH AMERICA ANY REPRODUCTION IN PART OR AS A WHOLE WITHOUT THE WRITTEN PERMISSION OF SONUS NORTH AMERICA IS PROHIBITED

CLOUD / BAFFLE INSTALL

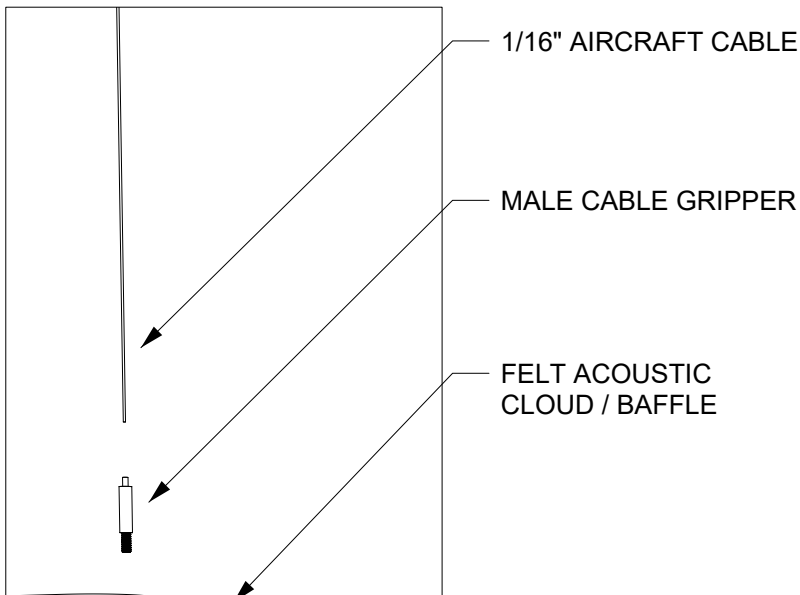
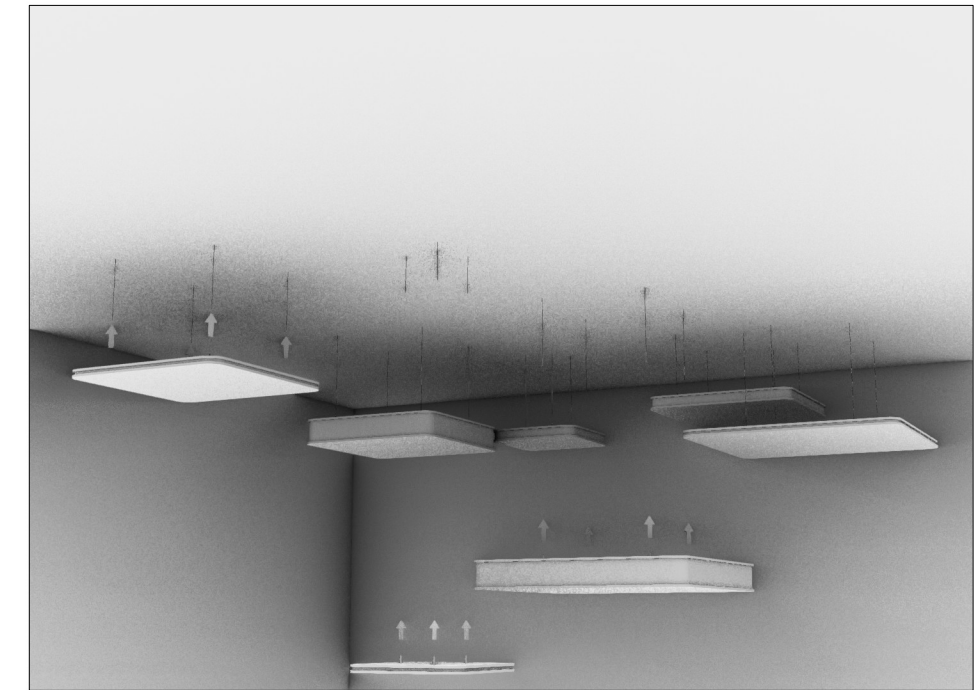
STEP ONE

PRE-INSTALL 1/16" AIRCRAFT CABLE
ONTO CEILING IN DESIRED
LOCATION AND PATTERN

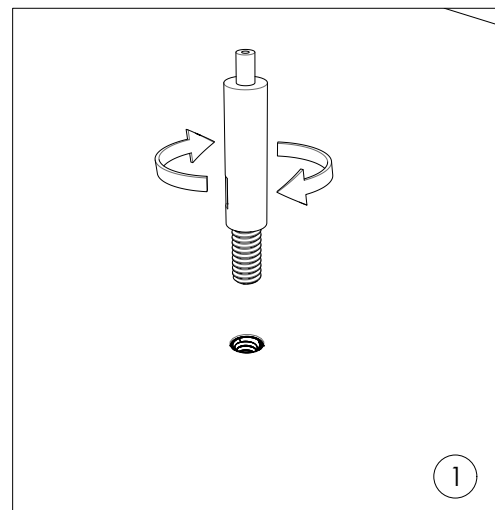


STEP TWO

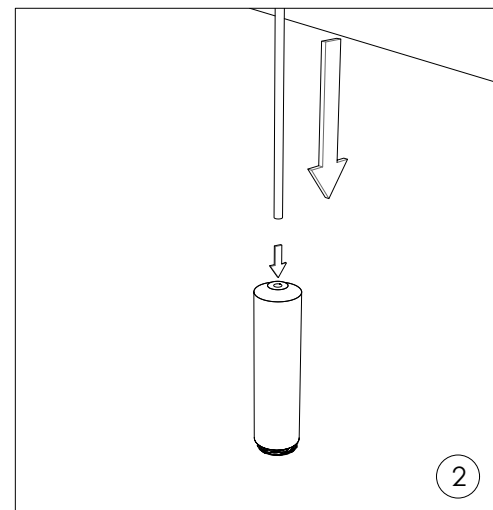
WITH CABLE GRIPPER PRE-INSTALLED
LIFT CLOUD-BAFFLES INTO POSITION
AND ATTACH CABLES



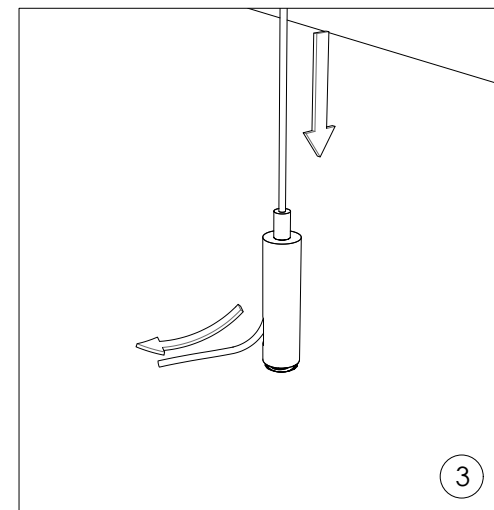
NOTE:
ENSURE THERE IS EQUAL
TENSION ACROSS ALL
HANGING POINTS



THREAD MALE CABLE
GRIPPER INTO EMBEDDED
METAL 1/4-20 T-NUT

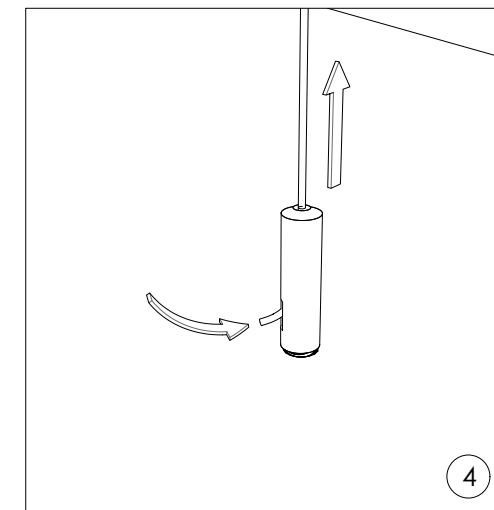


DEPRESS SPRING
LOCK TO INSTALL
AIRCRAFT CABLE



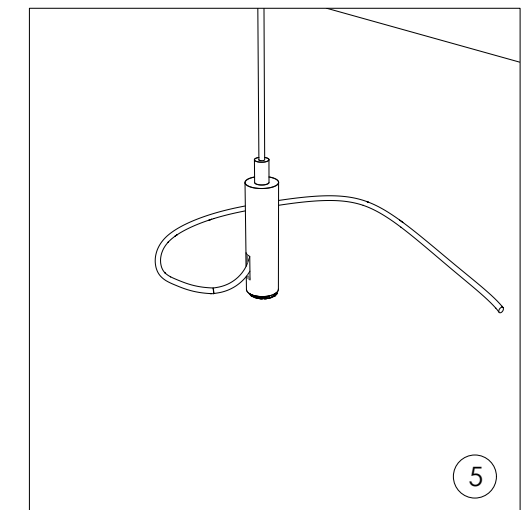
CLOUD-BAFFLE CAN BE RAISED
BY PULLING ON
AIRCRAFT CABLE

SPRING LOCK WILL AUTO
HOLD THE HEIGHT OF BAFFLE



CLOUD-BAFFLE CAN BE LOWERED
BY DEPRESSING SPRING
LOCK THEN SLIDE AIRCRAFT
CABLE UP TO ADJUST HEIGHT

RELEASE SPRING LOCK
TO HOLD IN PLACE



RELEASE SPRING LOCK
IN FINAL POSITION

COIL OR CUT ANY EXCESS
CABLE TO HIDE FROM BELOW