




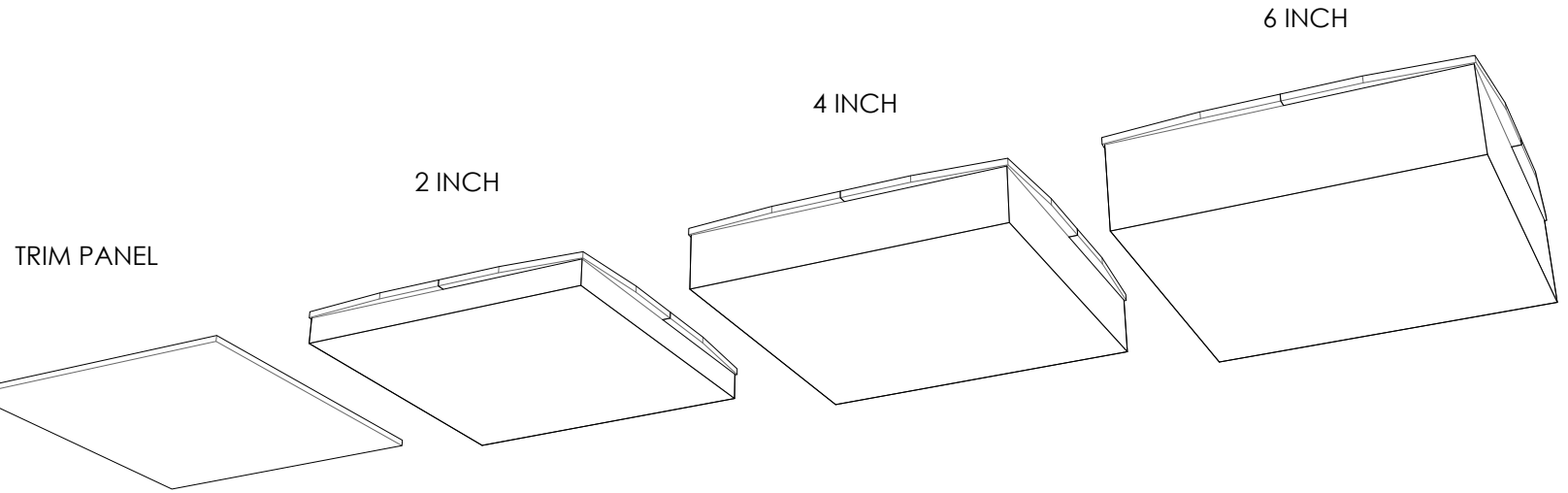
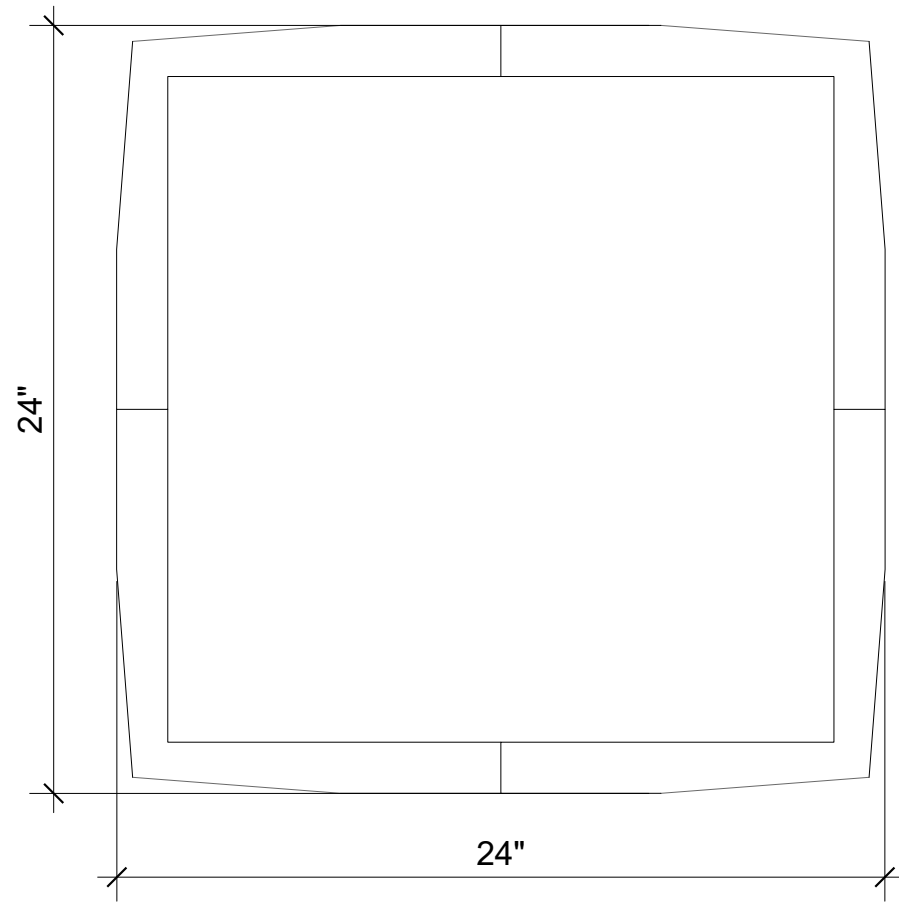
PRODUCT: FELT		DESCRIPTION: CONSTRUCTED FROM 12mm FELT			
DESIGN: DROP BOX					
DRAWN BY:					
DATE: 5/27/2026					
SHEET:	SCALE:	REVISIONS:			



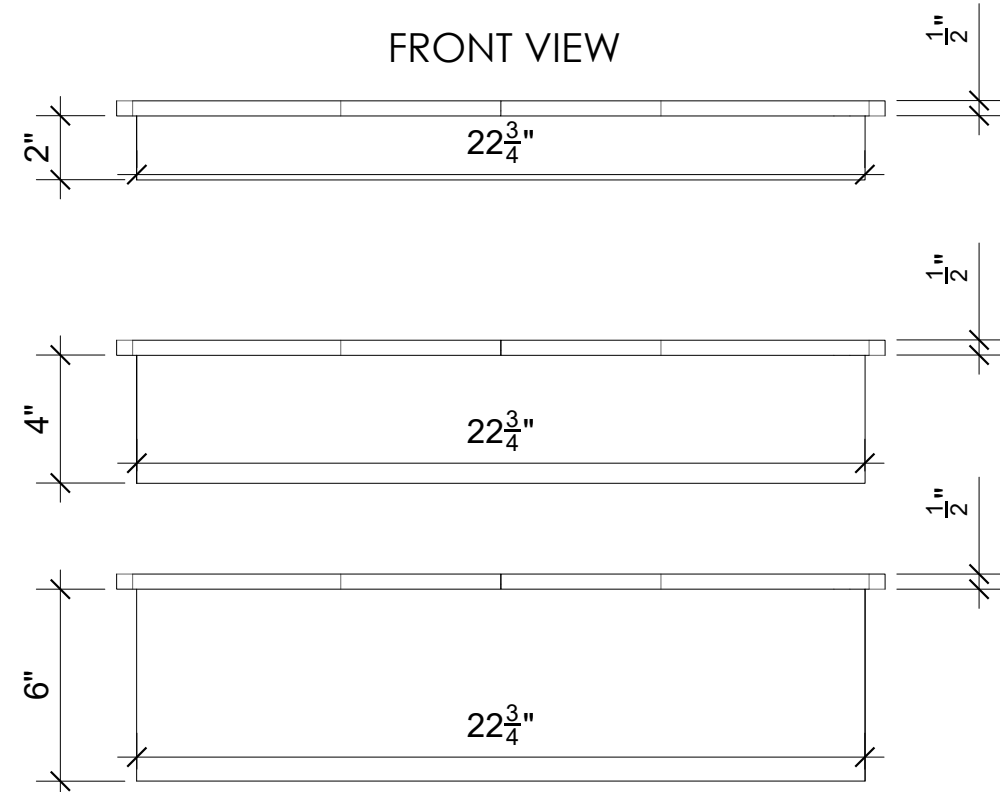
www.sonusna.com

PROPRIETARY AND CONFIDENTIAL
THE INFORMATION CONTAINED IN THIS DRAWING IS
THE SOLE PROPERTY OF SONUS NORTH AMERICA
ANY REPRODUCTION IN PART OR AS A WHOLE
WITHOUT THE WRITTEN PERMISSION OF SONUS
NORTH AMERICA IS PROHIBITED

TOP VIEW



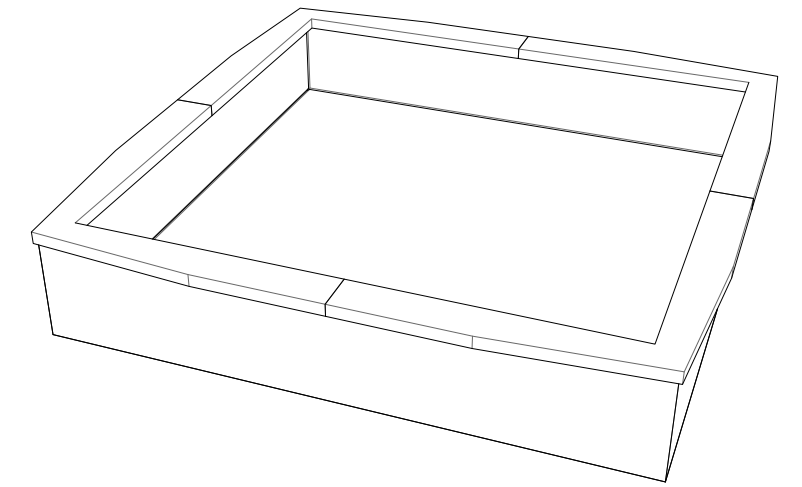
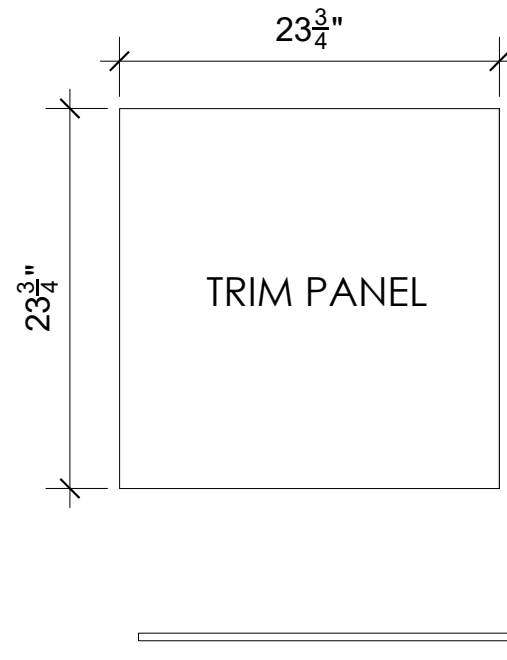
FRONT VIEW




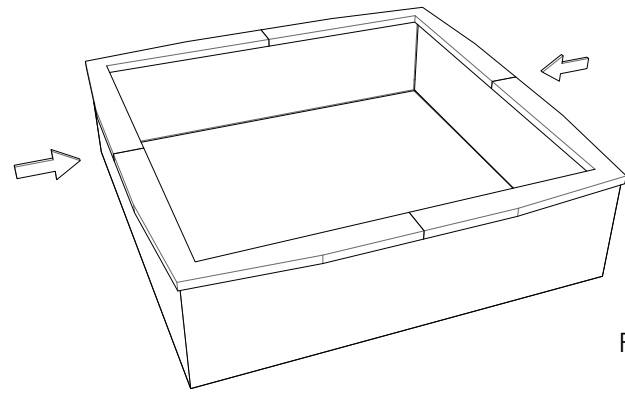
2 INCH

4 INCH

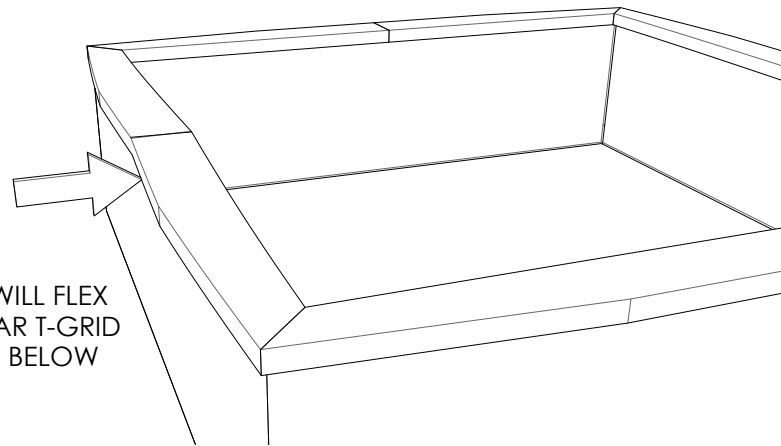
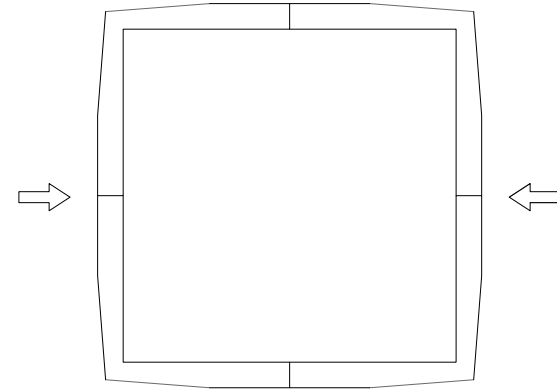
6 INCH



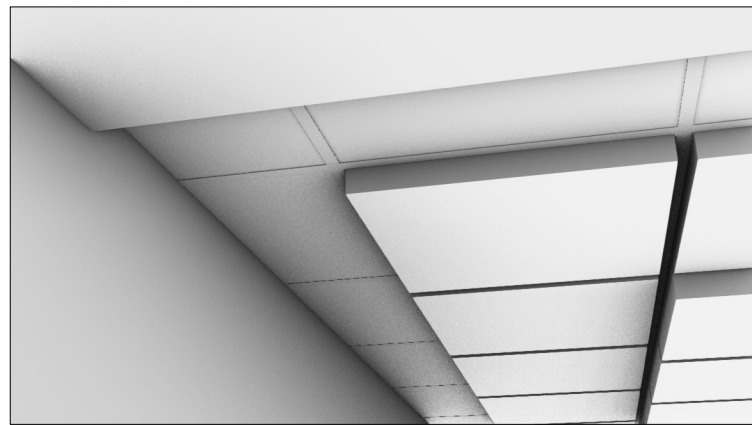
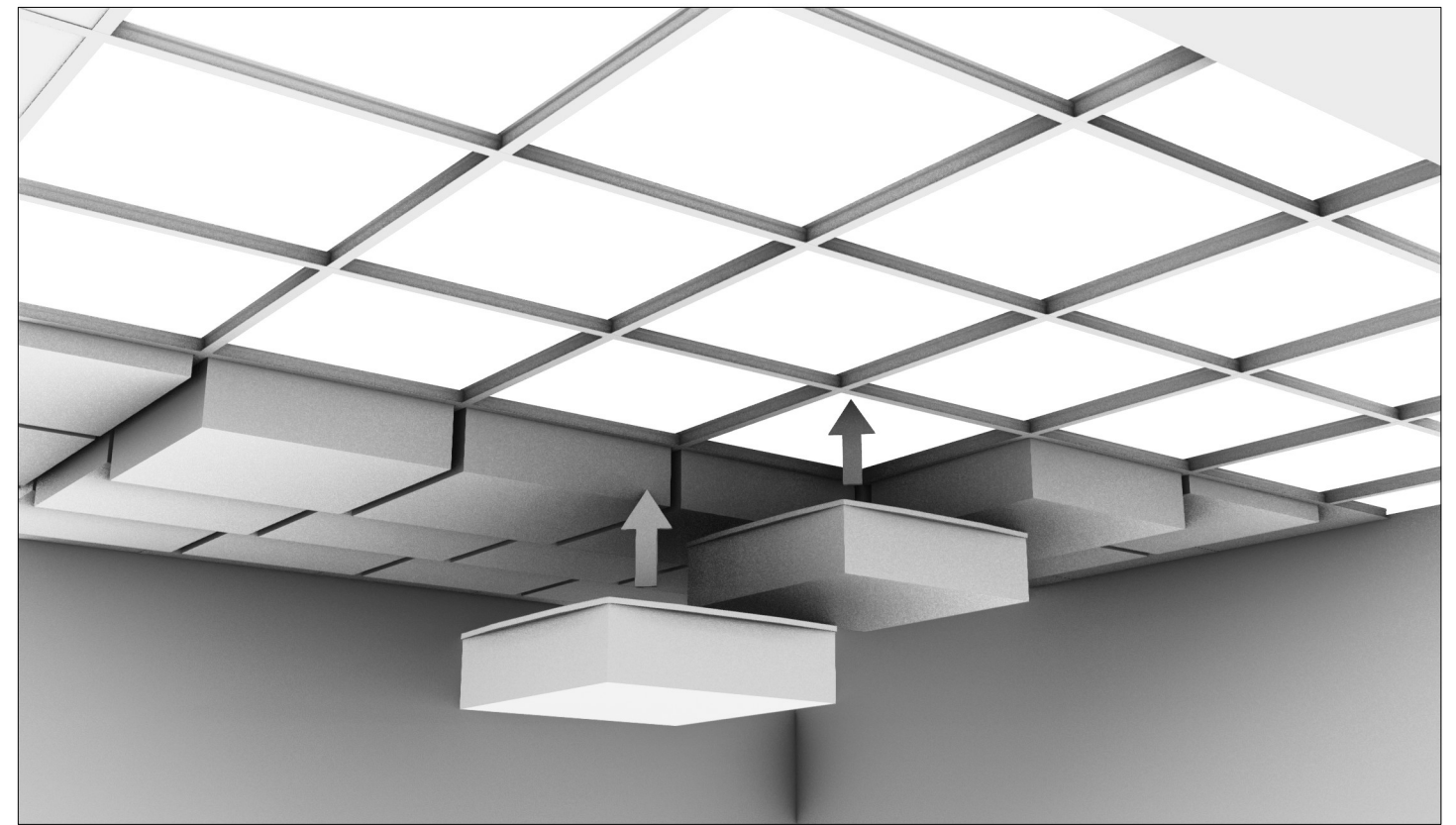
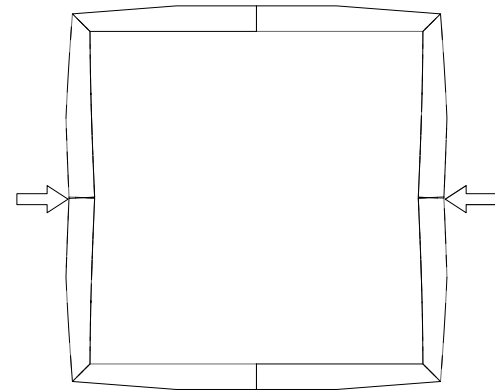
PRODUCT: FELT		DESCRIPTION: CONSTRUCTED FROM 12mm FELT	 www.sonusna.com	
DESIGN: DROP BOX				
DRAWN BY:			PROPRIETARY AND CONFIDENTIAL THE INFORMATION CONTAINED IN THIS DRAWING IS THE SOLE PROPERTY OF SONUS NORTH AMERICA ANY REPRODUCTION IN PART OR AS A WHOLE WITHOUT THE WRITTEN PERMISSION OF SONUS NORTH AMERICA IS PROHIBITED	
DATE: 5/27/2026				
SHEET:	SCALE:	REVISIONS:		



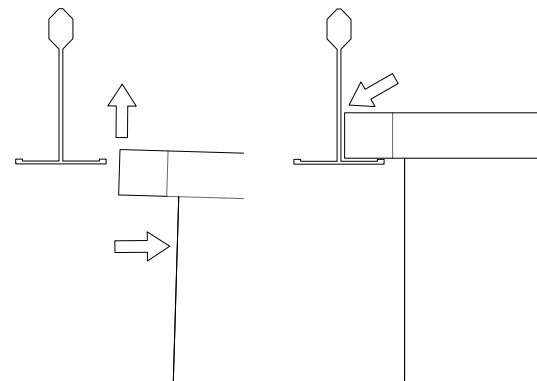
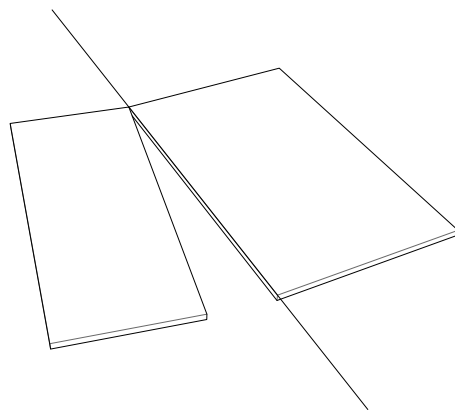
PRESS SIDES INWARD



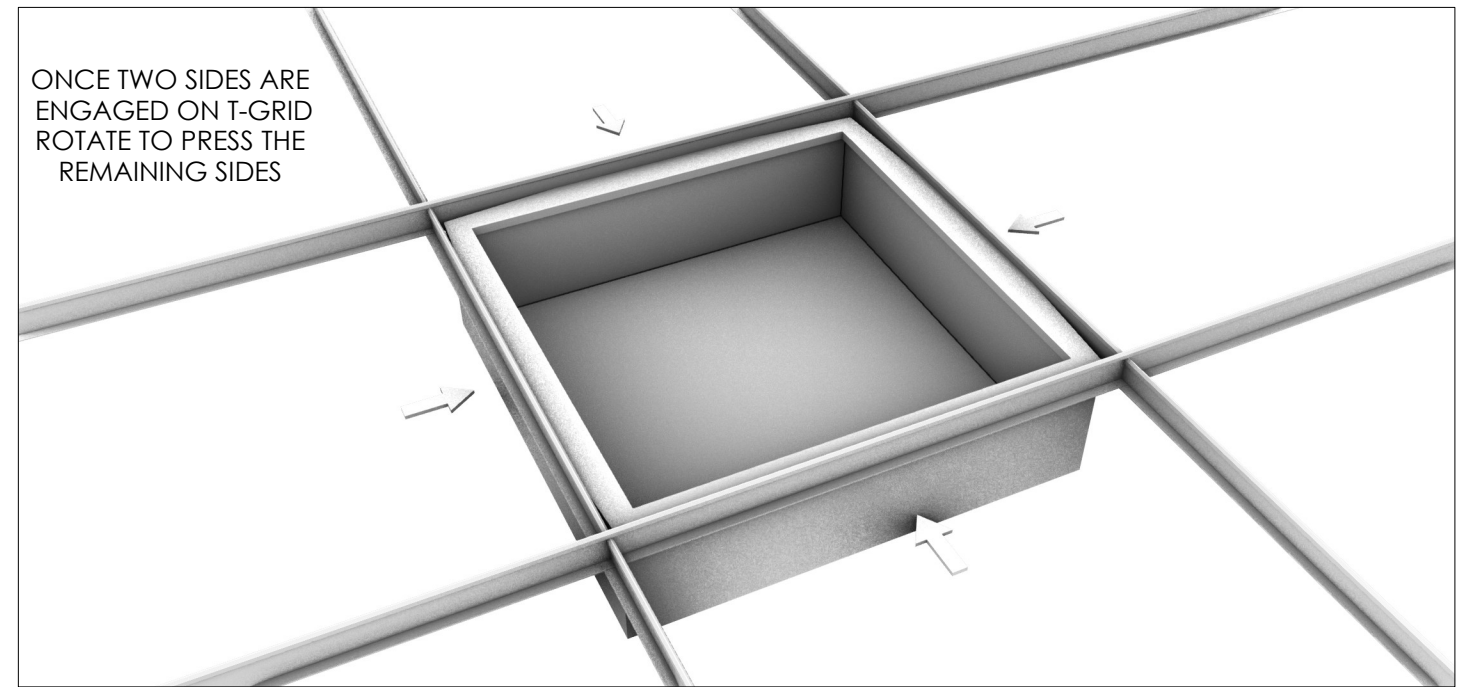
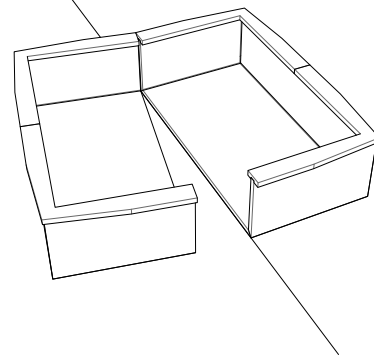
SIDES WILL FLEX TO CLEAR T-GRID FROM BELOW




USE TRIM FLAT PANELS FOR PERIMETER CONDITIONS



DO NOT CUT 3D PANELS



ONCE TWO SIDES ARE ENGAGED ON T-GRID ROTATE TO PRESS THE REMAINING SIDES

PRODUCT: FELT		DESCRIPTION: CONSTRUCTED FROM 12mm FELT	
DESIGN: DROP BOX		 www.sonusna.com	
DRAWN BY:			
DATE: 5/27/2026			
SHEET:	SCALE:		
<p>PROPRIETARY AND CONFIDENTIAL</p> <p>THE INFORMATION CONTAINED IN THIS DRAWING IS THE SOLE PROPERTY OF SONUS NORTH AMERICA ANY REPRODUCTION IN PART OR AS A WHOLE WITHOUT THE WRITTEN PERMISSION OF SONUS NORTH AMERICA IS PROHIBITED</p>			