
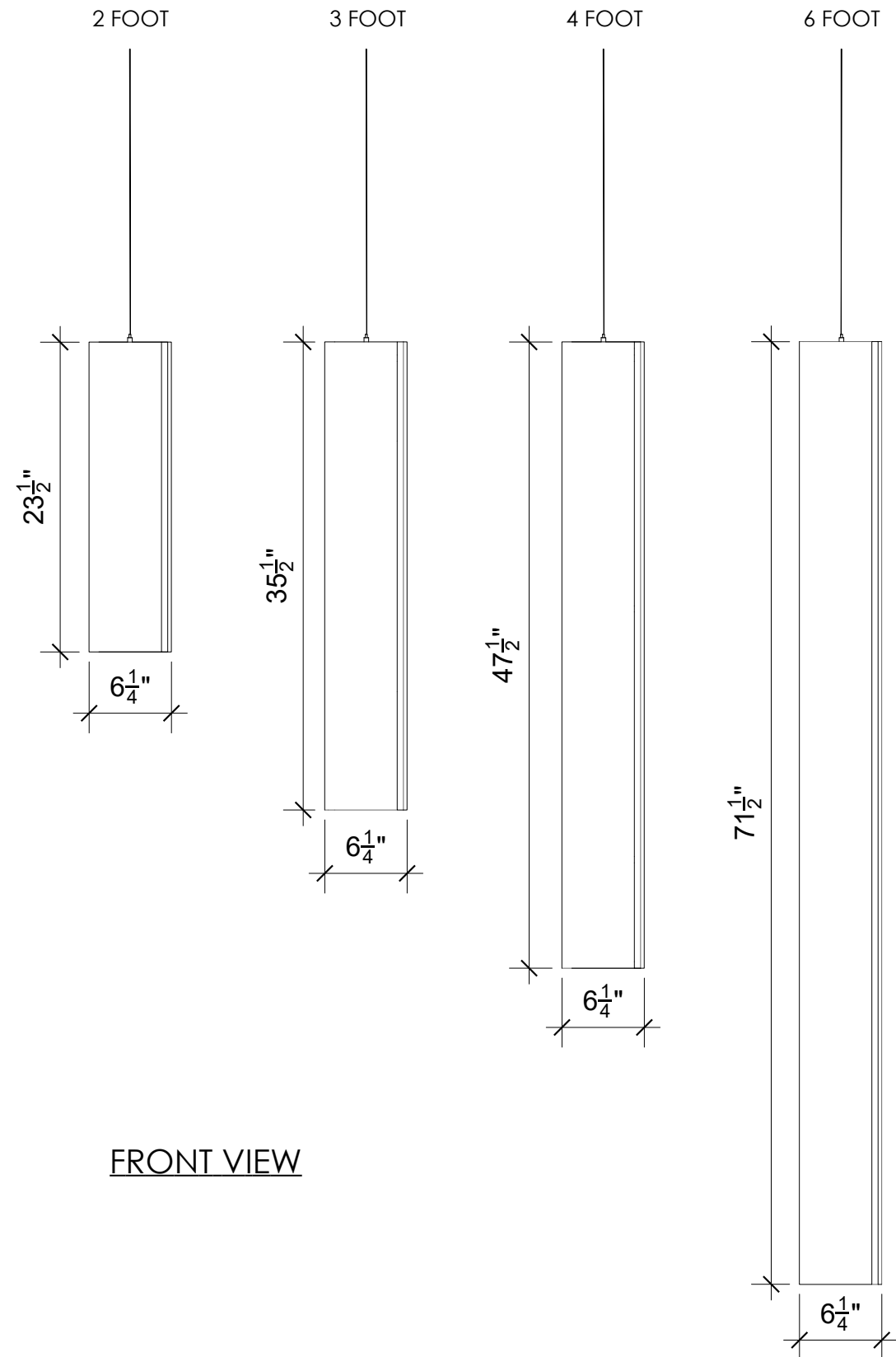


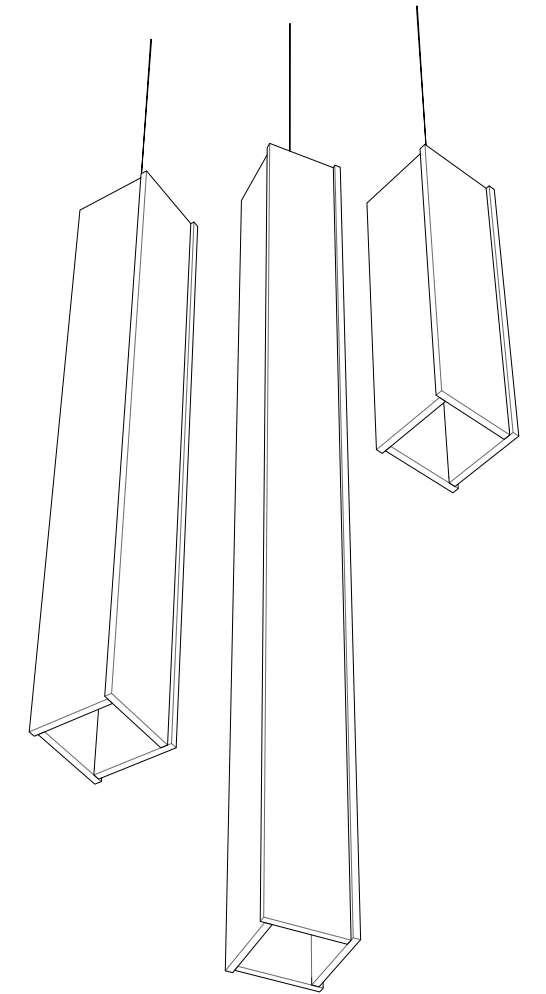
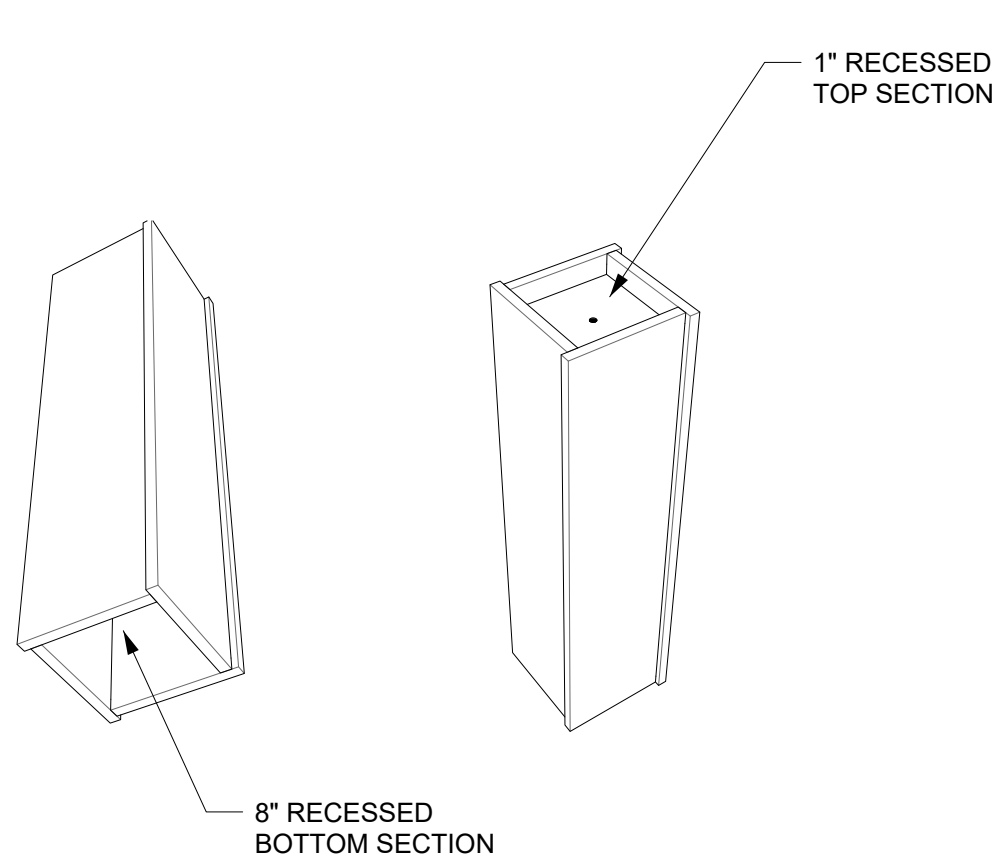
PRODUCT: FELT		DESCRIPTION:  CONSTRUCTED FROM 12mm FELT				 <a href="http://www.sonusna.com">www.sonusna.com</a>
DESIGN: VERTICAL PINWHEEL						
DRAWN BY:						
DATE: 5/28/2026						
SHEET:	SCALE:	REVISIONS:				
<small>           PROPRIETARY AND CONFIDENTIAL            THE INFORMATION CONTAINED IN THIS DRAWING IS            THE SOLE PROPERTY OF SONUS NORTH AMERICA            ANY REPRODUCTION IN PART OR AS A WHOLE            WITHOUT THE WRITTEN PERMISSION OF SONUS            NORTH AMERICA IS PROHIBITED         </small>						

# VERTICAL BAFFLE DIMENSIONS

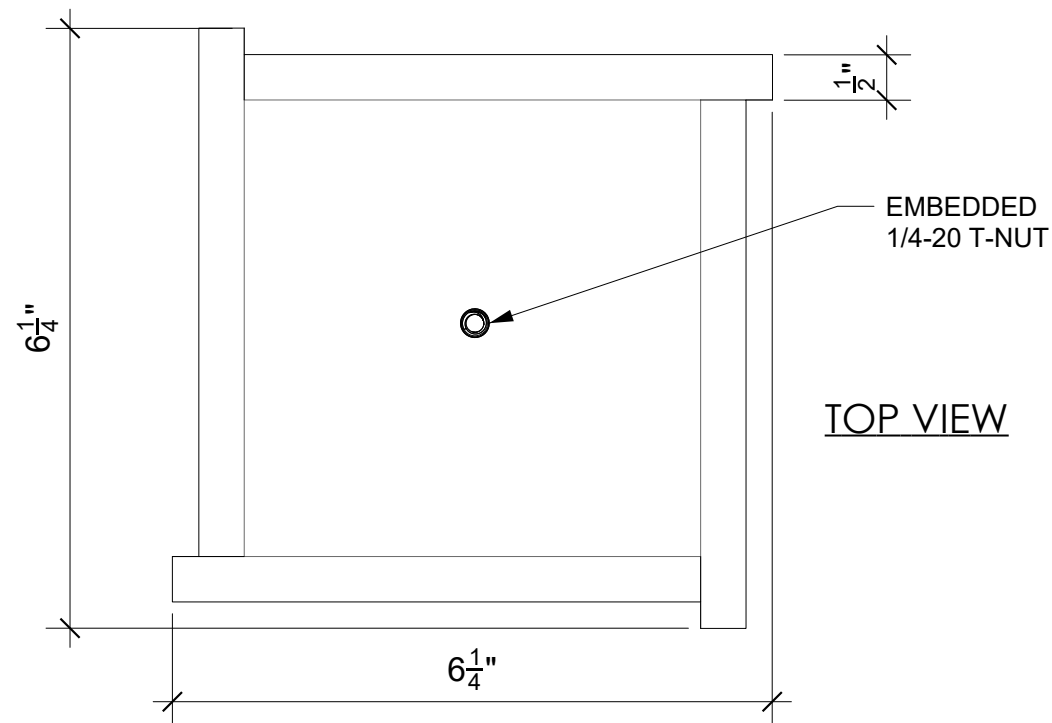
STANDARD SIZES  
CUSTOM LENGTHS AVAILABLE




FRONT VIEW



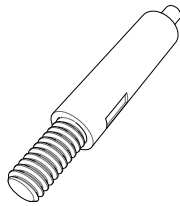
PERSPECTIVE VIEW



PRODUCT: FELT		DESCRIPTION: CONSTRUCTED FROM 12mm FELT	
DESIGN: VERTICAL PINWHEEL		 <a href="http://www.sonusna.com">www.sonusna.com</a>	
DRAWN BY:			
DATE: 5/28/2026			
SHEET:	SCALE:		
<p>PROPRIETARY AND CONFIDENTIAL</p> <p>THE INFORMATION CONTAINED IN THIS DRAWING IS THE SOLE PROPERTY OF SONUS NORTH AMERICA ANY REPRODUCTION IN PART OR AS A WHOLE WITHOUT THE WRITTEN PERMISSION OF SONUS NORTH AMERICA IS PROHIBITED</p>			

# CABLE GRIPPER INSTALL

## INCLUDED HARDWARE:

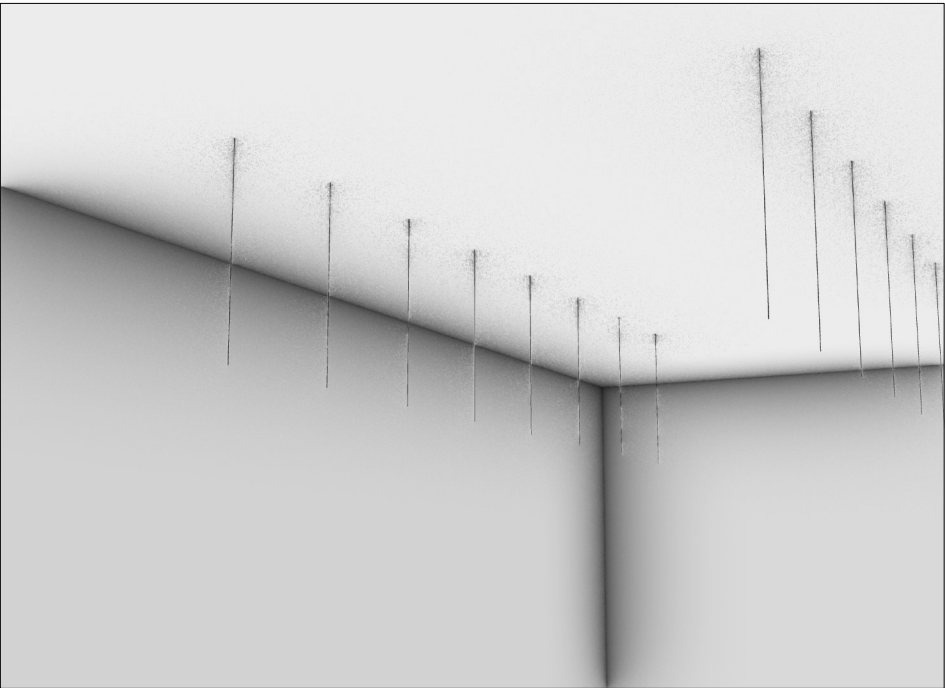


1x MALE CABLE GRIPPER IS INCLUDED WITH EACH BAFFLE

CEILING HARDWARE AND 1/16" AIRCRAFT WIRE NORMALLY PROVIDED BY OTHERS UNLESS OTHERWISE STATED

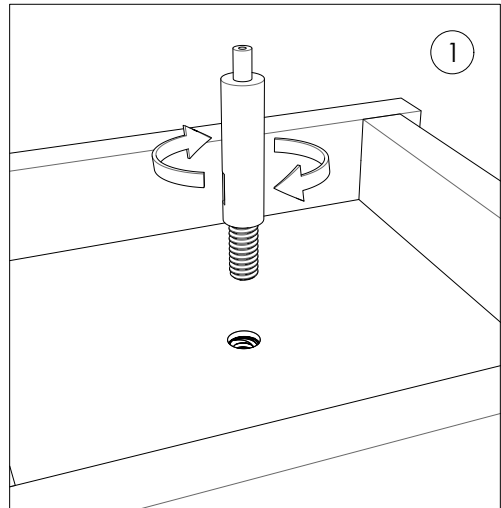
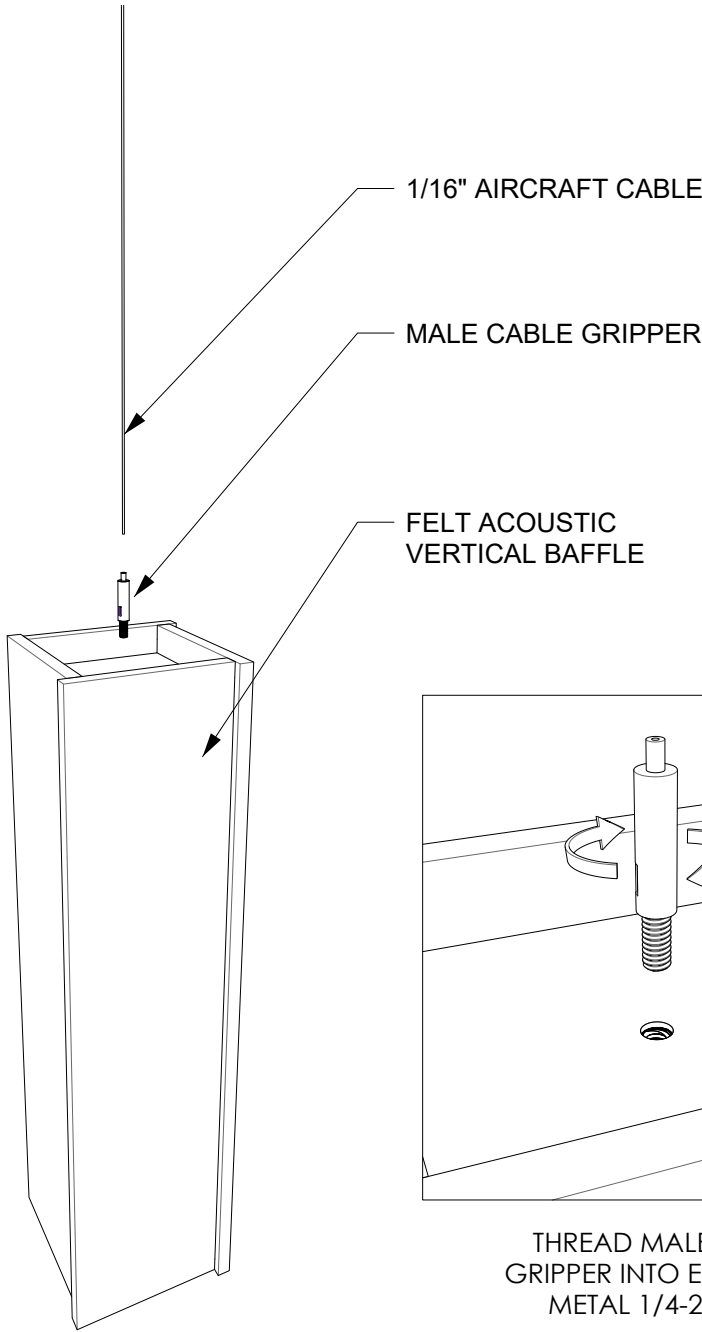
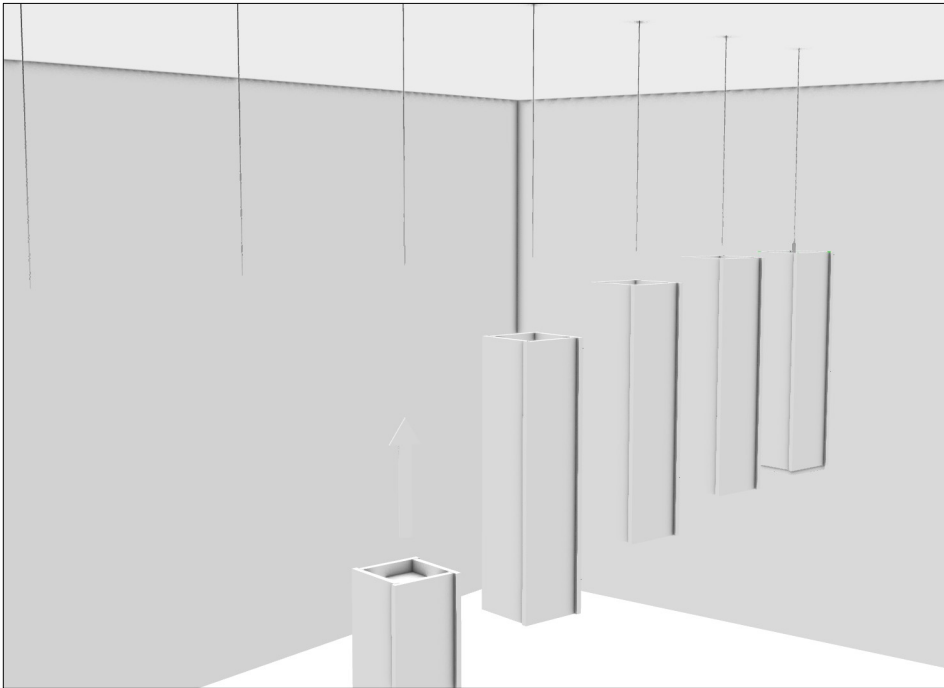
### STEP ONE

PRE-INSTALL 1/16" AIRCRAFT CABLE ONTO CEILING IN DESIRED LOCATION AND PATTERN

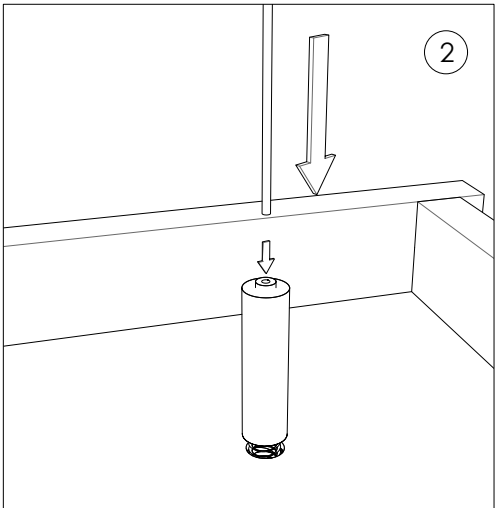


### STEP TWO

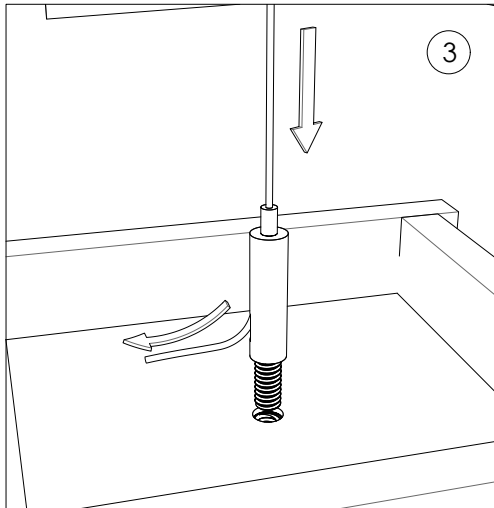
WITH CABLE GRIPPER PRE-INSTALLED LIFT BAFFLES INTO POSITION AND ATTACH CABLES



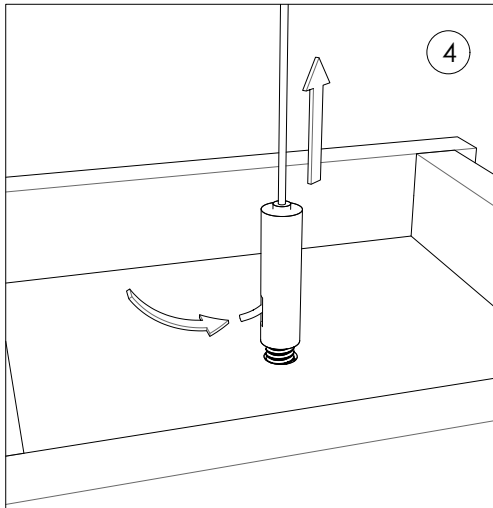
1  
THREAD MALE CABLE GRIPPER INTO EMBEDDED METAL 1/4-20 T-NUT



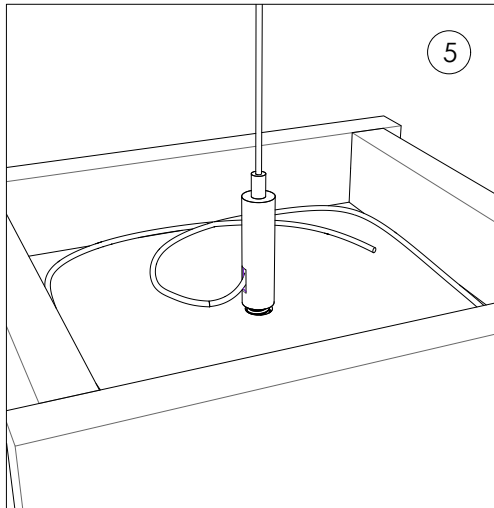
2  
DEPRESS SPRING LOCK TO INSTALL AIRCRAFT CABLE



3  
BAFFLE CAN BE RAISED BY PULLING ON AIRCRAFT CABLE  
SPRING LOCK WILL AUTO HOLD THE HEIGHT OF BAFFLE



4  
BAFFLE CAN BE LOWERED BY DEPRESSING SPRING LOCK THEN SLIDE AIRCRAFT CABLE UP TO ADJUST HEIGHT  
RELEASE SPRING LOCK TO HOLD IN PLACE



5  
RELEASE SPRING LOCK IN FINAL POSITION  
COIL OR CUT ANY EXCESS CABLE TO HIDE FROM BELOW