



MODULAR MILKING ROBOT ROOM



Thorp Equipment's bolt together Modular Milking Robot Room is an economical solution for today's milking robots.

- Made from Paneltim Plastic.
- Made to last forever with bolt together design with stainless steel brackets, trim & bolts.
- Easy to assemble. On average 10 hours to assemble.
- Retrofit or new build.
- Better R value than 6 inch concrete walls.
- May qualify for lease program due to modular design. Check with your lender!
- Each room includes a walk through door.
- Can be customized to fit your needs.
- Ability to wash down interior and exterior walls.
- Paneltim Plastic holds up to all chemicals.
- Multiple colors available:
 - Lely Red
 - Delaval or BouMatic Blue
 - GEA Green
 - Black & White

~ QUALITY CUSTOM STAINLESS STEEL FABRICATION ~

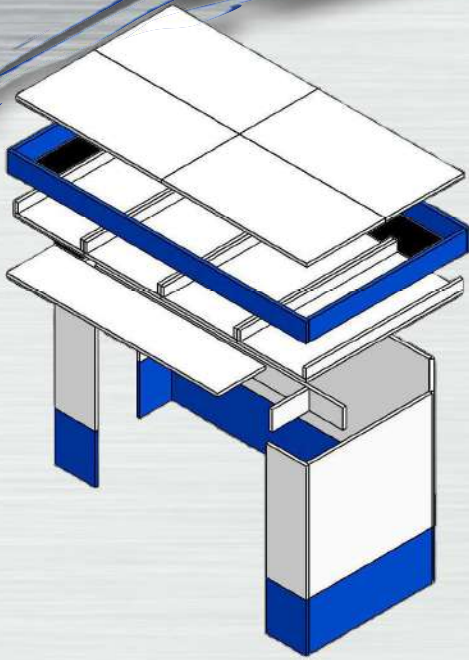
N14160 County Road M, Thorp, WI 54771

Phone: 1-715-669-5050 Toll Free: 1-800-827-5052 Fax: 1-715-669-5090

www.ThorpEquipment.com



MODULAR MILKING ROBOT ROOM



~ QUALITY CUSTOM STAINLESS STEEL FABRICATION ~

N14160 County Road M, Thorpe, WI 54771

Phone: 1-715-669-5050 Toll Free: 1-800-827-5052 Fax: 1-715-669-5090

www.ThorpeEquipment.com