

---

## V6

---

### Information

The ultra-compact Line Arrayelement V6 offers a multitude of technical innovations for simple standard application and best possible sound re-inforcement performance. In the case of a line-array operation the asymmetrical dispersion extends the PA area to the center and reduces disturbing reflections of the walls. In case of tripod operation the main axis is tilt downwards.

The high-frequency line array offers innovative reproduction which directly couples and transforms the energy on a ring diaphragm. This results in an unsurpassed linear and distortion-free high-frequency range. Flyware connections are built-in recessed as a standard. The flyware is completed by the flying frame C-Rig flywares. The narrow and tilt vertical splay prevents interferences in delay units.

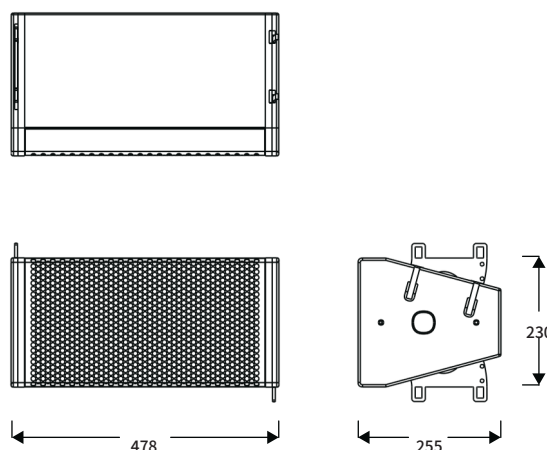


---

### Key Features

- Excellently suitable for speech reinforcement .
- Simple way of control with pre-equalizations in DSP.
- A special user-friendly benefits in the mechanical splay adjustment.

### Drawing



## V6

Technical Specifications	
Type	Line array
Impedance	16 Ohms
Power (Program / Peak)	200 Watts / 400 Watts
Sensitivity 2.83V / 1m	-
Max SPL	129 dB peak
Frequency response -3dB	70 Hz - 20 kHz
Dispersion	100°/20°(wide) 100°/7° (narrow) asymmetric
Product Features	
Components	2 x 6" cone ND + 1 x 1.75" ringdriver 1200Hz,
Crossover	active speakOn NL4 speakOn NL4 478 mm x
Input Connectors	230 mm x 255 mm 14 kg Charcoal Black
Output Connectors	polyurethane Available in white or Ral colours
Dimensions (W x H x D)	on request. Integrated C-Rig Flyware and
Weight (Kg)	35mm polemount
Colour	
Options	
Rigging	
Additional Descriptive Data	
Birch Ply construction, with durable scratch resistant black textured paint finish, kick-proof honeycomb steel grill finished with acoustic foam, and black and white Chris-system logo. 4x heavy duty wheels, REMOTE controlled, integrated digital delay with display. Heavy duty padded black cover.	