



Engine	Shanghai SC8D190G2B1
Rated Power	140 kW (188 hp / 190 ps) @ 2,200 rpm
Nominal Amplitude Range	2.0 / 1.2 mm
Vibration Frequency Range	28 / 33 Hz
Centrifugal Force Range	420 / 290 kN
Working Width	2,130 mm
Operating Mass	22,000 kg

6622E ROLLER

6622E SPECIFICATIONS >>>

ENGINE	
Emission Regulation	Tier 2 / Stage II
Manufacturer	Shangchai
Model	SC8D190G2B1
Rated Power	140 kW (188hp / 190 ps) @ 2,200 rpm
Peak Torque	650 N · m
Number of Cylinders	6
Aspiration	Turbo & air-to-air intercooled
Cooling Type	Water

ELECTRICAL SYSTEM	
System Voltage	24 V

DRIVE TRAIN	
Theoretical Gradeability	45 %
Transmission Type	Hydraulic
1st Maximum Speed	4 km/h
2nd Maximum Speed	5.5 km/h
3rd Maximum Speed	6.5 km/h
4th Maximum Speed	10.5 km/h
Min. Outside Turning Radius	7,000 mm

STEERING	
Steering System	Hydraulic
Steering Method	Articulation
Steering Angle	± 35°
Steering Relief Pressure	16 MPa

BRAKES	
Service Brake Type	Hydraulic
Service Brake Actuation	Hydraulic
Parking Brake Actuation	Mechanical apply; Hydraulic release

OPTIONAL EQUIPMENT	
Padfoot Drum Segment Kit (PDH)	

TIRES	
Tire Size	23.1-26-12PR
Tire Pressure	200-220 kPa

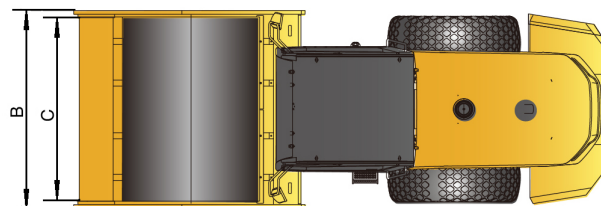
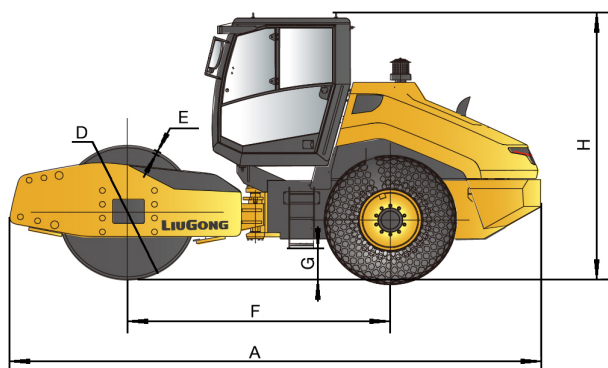
HYDRAULIC SYSTEM	
Main Pump Type	Piston Pump
Main Relief Pressure	35 MPa

PERFORMANCE	
Static Linear Front Drum Load	648 N/cm
Number of Vibrating Drums	1
Nominal Amplitude Range	2.0 / 1.2 mm
Vibration Frequency Range	28 / 33 Hz
Centrifugal Force Range	420 / 290kN
Number of Amplitude Settings	2

OPERATING MASS	
Operating Mass with Ballast	22,000 kg
Mass on Vibrating Drum	13,800 kg
Mass on Drive Axle	8,200 kg

SERVICE CAPACITIES	
Fuel Tank	373 L
Engine Oil	19 L
Hydraulic Oil Tank	90 L
Cooling System	32 L

DIMENSIONS	
A Overall Length	6,450 mm
B Overall Width	2,400 mm
C Drum Width	2,130 mm
D Drum Diameter	1,600 mm
E Drum Thickness	45 mm
F Wheelbase	3,250 mm
G Min. Ground Clearance	440 mm
H Overall Height	3,050 mm



Guangxi Liugong Machinery Co., Ltd.

No. 1 Liutai Road, Liuzhou, Guangxi 545007, PR China
T: +86 772 3886124 E: overseas@liugong.com
www.liugong.com

Specifications and designs are subject to change without notice. Machines shown may include optional equipment. Liugong standard and optional equipment may vary from region to region. Please consult your Liugong dealer for information specific to your area. Engine power kW is converted to horsepower (1 kW=1.3596 ps and 1 kW=1.3410 hp) in this file.

04/2020 Designed by LiuGong
Replace the previous versions of 08/2019