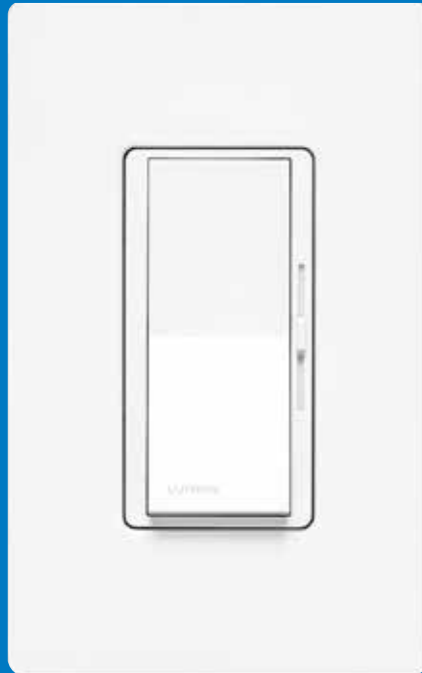




LUTRON DVSTV 0-10V

DVSTV-WH



LEARN MORE ABOUT US



ABOUT US



888.887.2980



WWW.EVO-LITE.COM



ARVADA, COLORADO

FOLLOW US ON SOCIAL

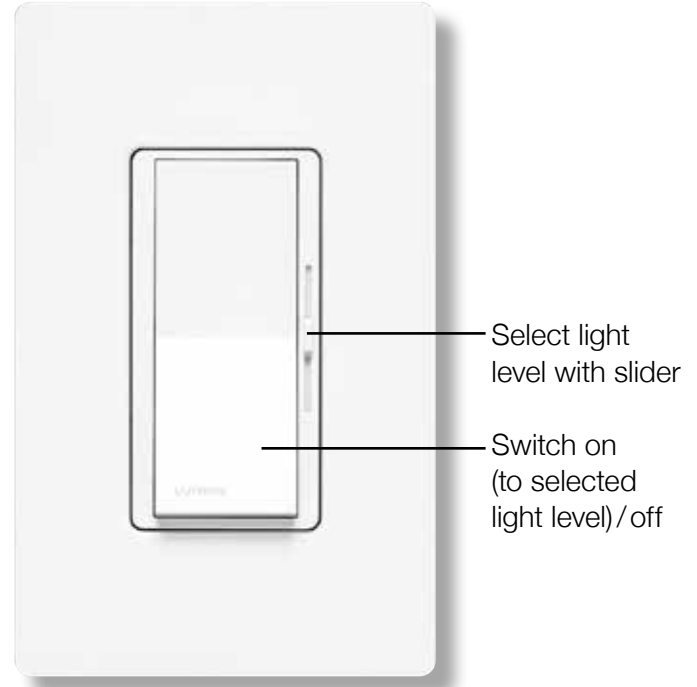


Diva 0–10V Control

Controls for 0–10V LED Drivers and fluorescent ballasts.

Features

- Large paddle switch with a captive linear-slide control for a standard designer-opening wallplate.
- 0–10V control link controls third party fixtures
- DVSTV wires as a single pole or 3-Way, 120-277V switch.
- Patented switching technology extends product lifetime.
- High-end and low-end trim is user-adjustable for optimal performance.



Diva 0–10V Control

Model Numbers

Model Number	Operating Voltage	Wiring	Load Switching Capacity	0–10V Sink Capacity
DVSTV-WH	120–277V~	Single-pole/3-way ¹	8 A	50 mA

Note: Load capacity is relative to the maximum input rating of the low voltage power supply used.

1. For 3-way switching, use Claro switches or other mechanical switches.

Specifications

DVSTV Models

Regulatory Approvals

- cULus Listed
- NOM

Power

Operating Voltage

- 120-277V, 50/60 Hz.

Output Ratings

- Switch rating of 8A.
- 0–10V control link for 50mA maximum output (sink only).

0–10V Control Link

- 0–10V control link is Class 1.
- Controls up to 25 ballasts or drivers (IEC 60926 Annex E.2 requires the ballast / driver to limit the current draw to 2.0mA maximum).

Performance

- Power pack cannot be used with DVSTV models.
- Works with all ballasts and drivers that provide a current source compliant to IEC 60629 Annex E.2, and whose inrush current does not exceed NEMA410 standards for electronic ballast/driver loads of 8A steady state current.
- Adjustable high-end and low-end trim for optimal dimming performance.
- Power failure memory: should power be interrupted the control will return to its previously set level prior to the interruption when power is restored.
- Captive linear slider.
- Precise color matching.

Environment

- For indoor use only.
- Ambient operating temperature: 32°F to 104°F (0°C to 40°C), 0% to 90% humidity, non-condensing.

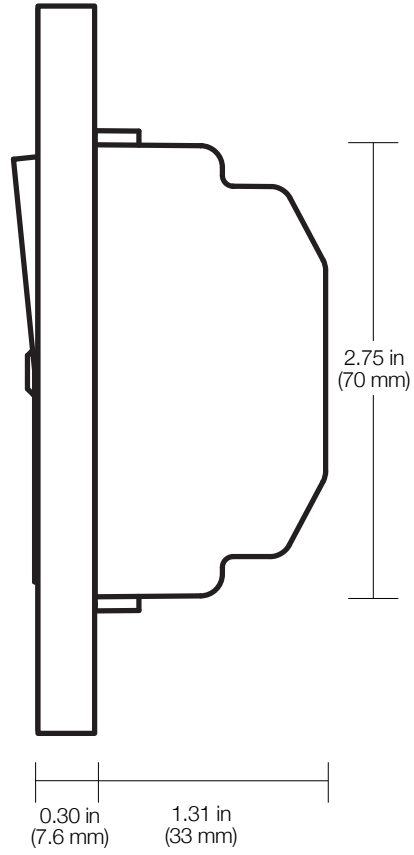
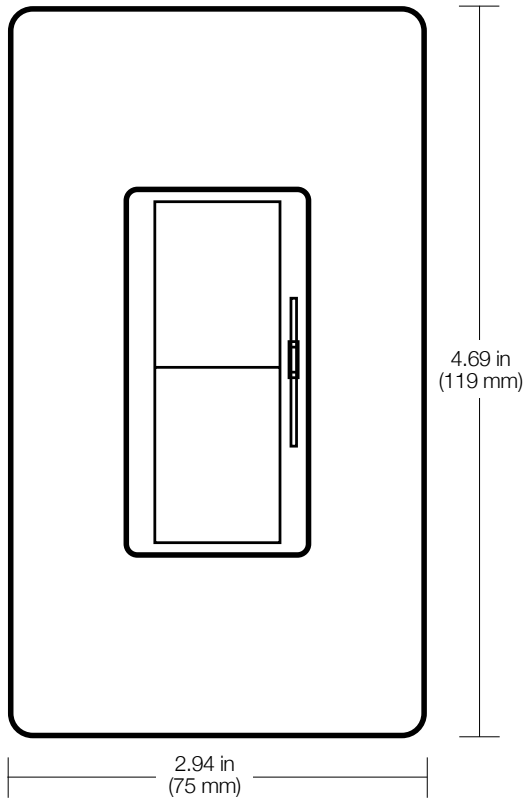
Application Requirements

- No derating required if ganged.
- Night light not available.
- Always consult local wiring codes.

Warranty

- www.lutron.com/TechnicalDocumentLibrary/369-119_Wallbox_Warranty.pdf

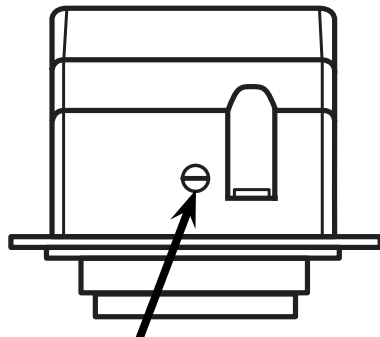
Dimensions



High-End and Low-End Adjustments

DVSTV Models

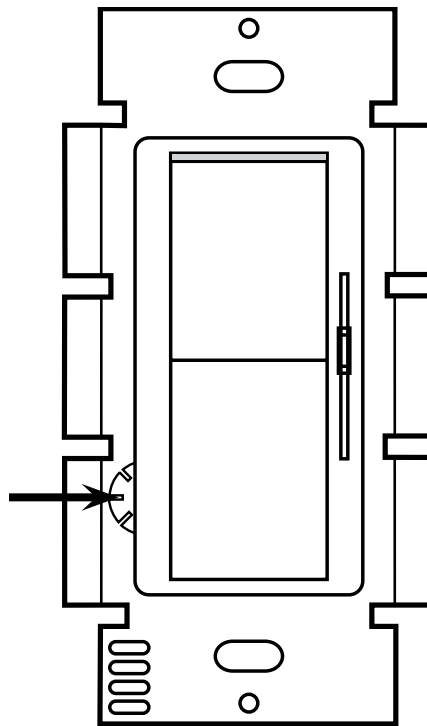
Bottom View



Maximum Light Level
(High-End) Trim

All Models

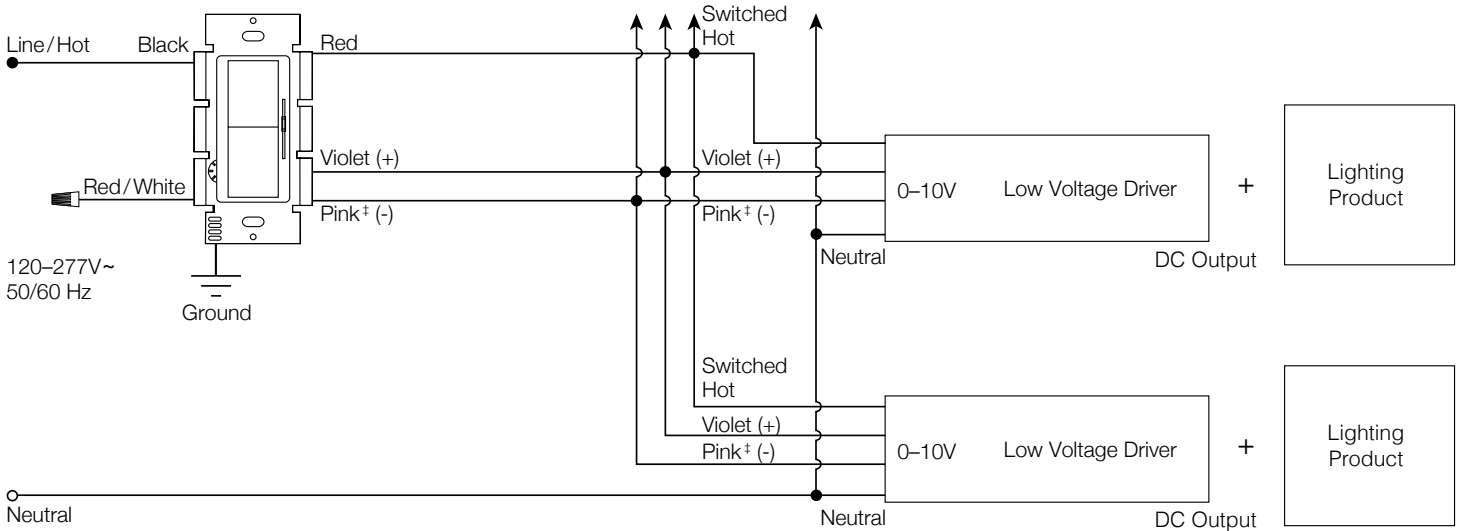
Front View



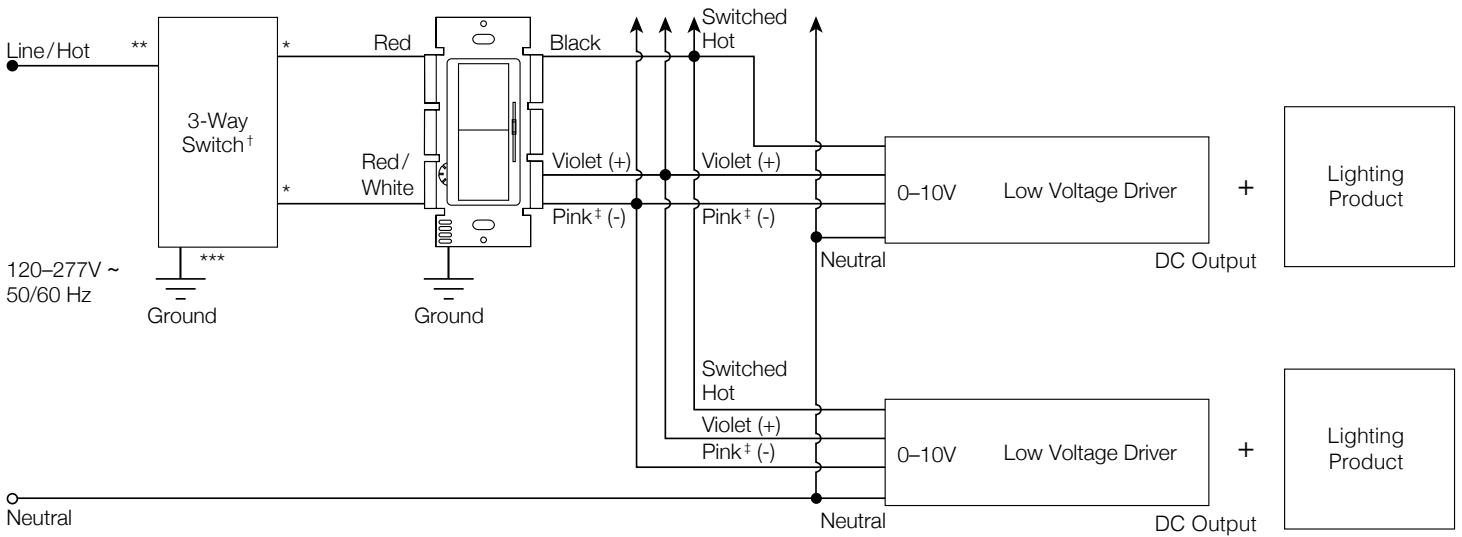
Minimum Light Level
(Low-End) Trim

Wiring Diagrams DVSTV

Single-Pole Wiring



3-Way Wiring



* Copper/Black screw terminal

** Brass/Gold screw terminal

*** Green screw terminal

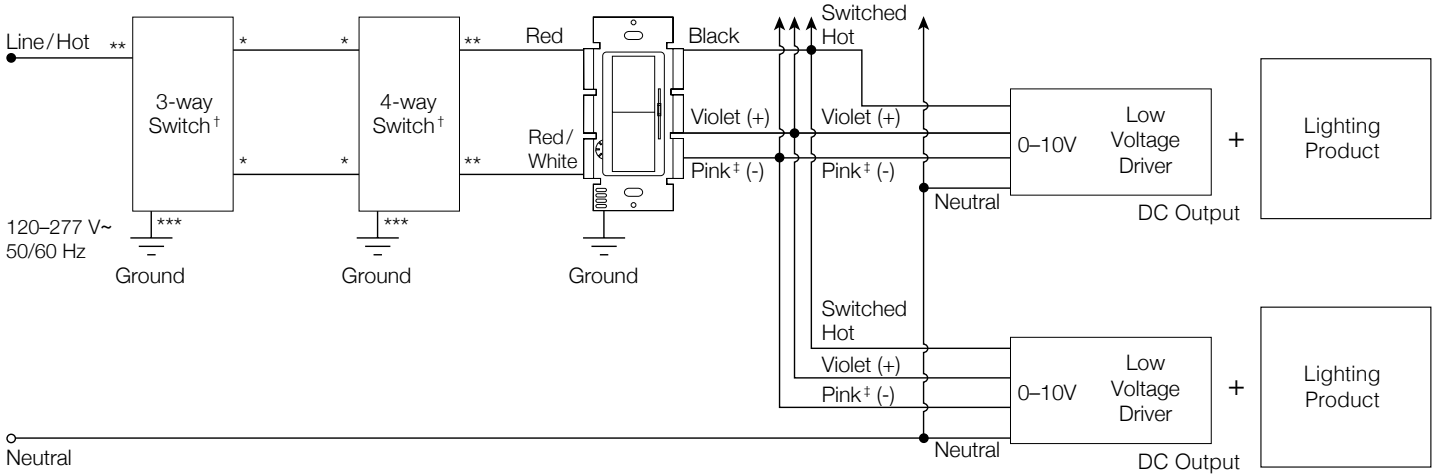
† For proper wiring, please refer to installation instructions for 3-way switch.

‡ This wire/terminal may be gray on older products or in retrofit applications.

Wiring Diagrams (continued)

DVSTV

4-Way Wiring



Note: For 4-way wiring, control must be installed line side or load side. It cannot be installed in the 4-way location.

* Copper/Black screw terminal

** Brass/Gold screw terminal

*** Green screw terminal

† For proper wiring, please refer to installation instructions for 3-way/4-way switch.

‡ This wire/terminal may be gray on older products or in retrofit applications.