

Project		Location	
Contact		Date	
Part#		Fixture	

OmniFixt™ MRI

Framed Light Guide Panel



Description

Achieve even, hot-spot free backlighting with the simplicity of a fixture. OmniFixt™ MRI pairs OmniSheet™ with a thin diffuser or acrylic of your choosing – up to 1/8” (3 mm) thick. Housed in a sturdy, easy-to-hang aluminum frame, OmniFixt™ is great for ceiling and wall applications.

Applications

- Backlighting
- Backlit graphics
- Ceiling mount T-Grid
- Backlit stone



Manufactured in North America



Antimicrobial finish



Backlit Graphic Options



Non-Ferrous Material



Wide Range of Color Temperatures



Various LED Locations

Key Features

- Color Rendering Index of 95+
- Can be customized to any size
- A wide range of LED positioning options
- Easily mount with Z-Clips
- Wide range of color temperatures available, (Static White and Tunable White)
- Up to 4000 lumens bright *
- Patented V-Cut surface provides unparalleled, uniform light distribution
- Custom printed Diffuser options
- Non-ferrous material content.
- Antimicrobial finish (optional on all exposed painted components)

* Based on 4' x 4' 4-side lit panel configuration

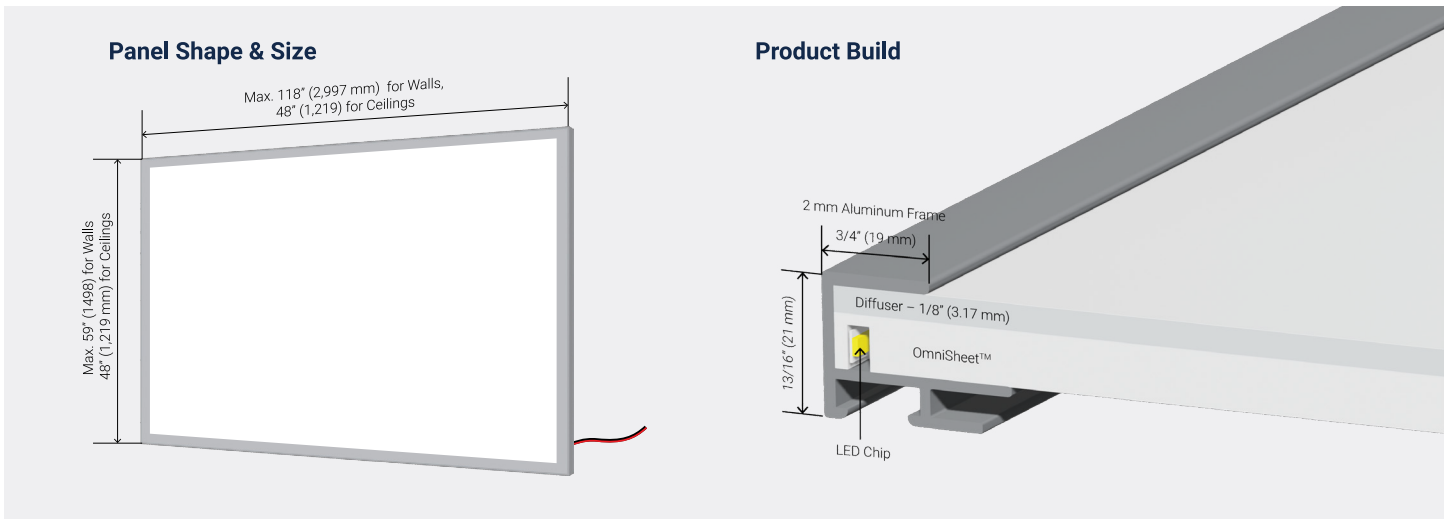
Specifications

Performance		OmniFixt™ MRI			
Part Number	#83910-MRI				
CRI	≥95	≥90	N/A	N/A	
Color Temperature	2700K, 3000K, 3500K, 4100K, 5300K, 6500K	Tunable White (2700K – 6500K)	RGB (Red, Green, Blue)	RGBW (White: 3000K, 4100K)	
Surface Brightness *	≥ 3,200 lx		N/A	N/A	
Lumen Maintenance	L70 @ ~ 54,000 hrs				
Light Engine	OmniSheet™		OmniSheet™ RGB	OmniSheet™RGBW	
Illumination	Single Face Illumination (SFI)				
Operating Temp.	-30 °C (-22 °F) ~ +40 °C (+104 °F)				
IP Rating	IP22				
Fire Rating	UL94V-0				
Environment	Dry/Damp location, Indoor use only				
UL / ETL	UL Listed (E346146)				
Warranty	5 Years				
Mechanical					
Thickness	21 mm (13/16")				
Maximum Size	Wall 48" x 96" 1219 mm x 2438 mm		Ceilings 48" x 48" 1219 mm x 1219 mm		
Minimum Size	6" x 6" 152 mm x 152 mm				
Weight	3.2 lb /sqft (15 kg /sqm)				
Frame	Silver / White / Black / Custom color Aluminum				
Diffuser Options	Sign White / Printed diffusers available (with thickness up to 3mm)				
Mounting Options	Z-clips, Euro hangers, T-grid mounting				
Electrical					
Input Voltage	12V–24V DC				
Power Consumption	Low 2.4W /ft Standard 4.4W /ft	5.5W /ft (4W/ft each channel, 8W/ft Max.)	RGB 4.4W /ft –	RGBW 4.9W /ft –	
Wire size	20 AWG, 2 wire	22 AWG, 3 wire	22 AWG, 4 wire	22 AWG, 5 wire	
Wiring Options	Each panel must have direct connection to a Power Supply. Do not wire Panels in Series! Maximum wire length 20 ft (6 m) to avoid voltage drop.				
Connector Options	5' (1.5 m) or 10' (3.0 m) wire with Type A 5.5 / 2.1 mm Barrel Plug or bare leads	5' (1.5 m) or 10' (3.0 m) wire with bare leads			

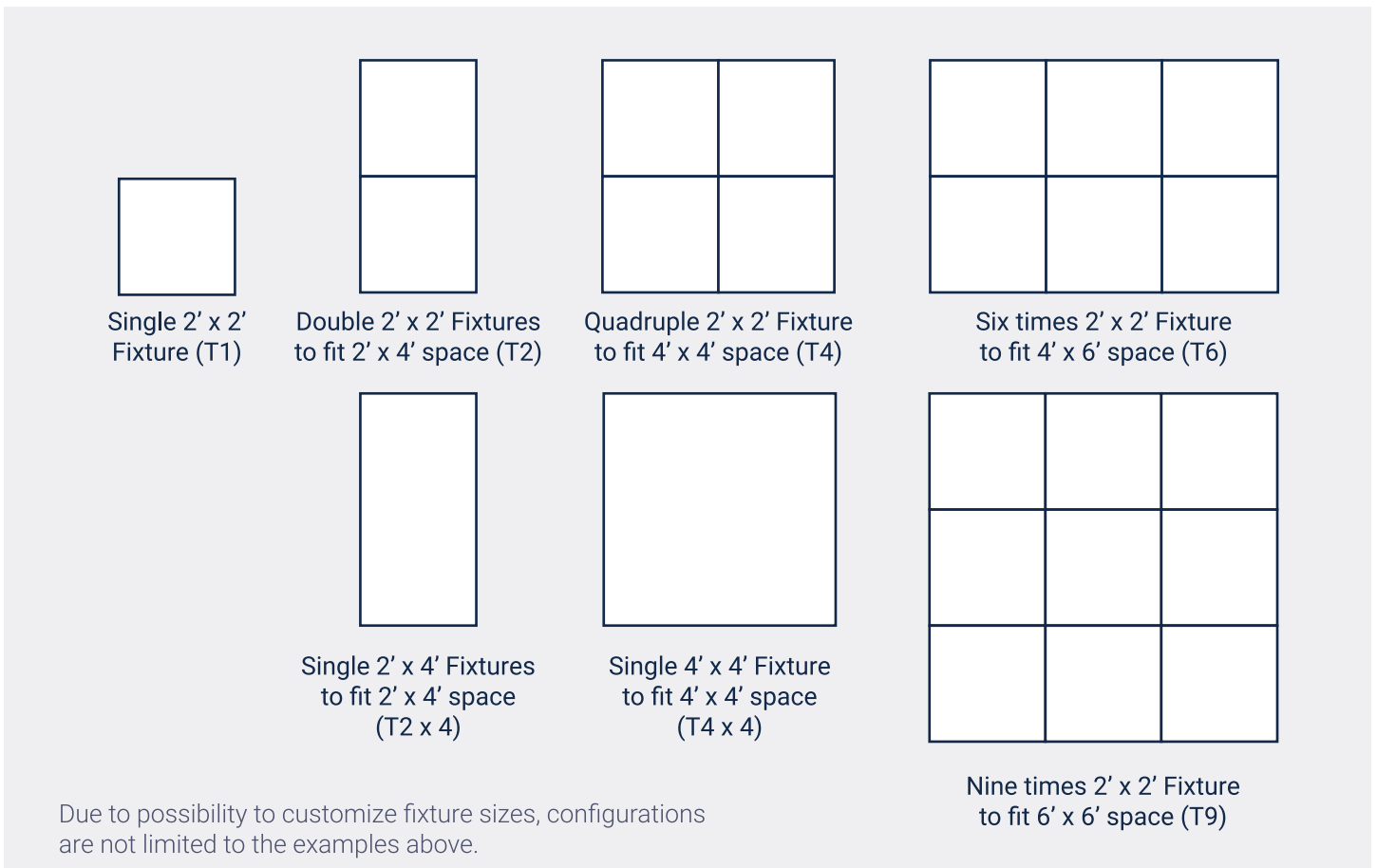
* Measurements done using 2' x 2' 2-side lit panel configuration

Customization

Product Overview



Fixtures available for below standard T-grid sizes



Note: The actual size of the fixture will be 1/4" less on the edges for installation in standard ceilings grid systems.

Customization

Printed Acrylic Diffuser Options



Nature 1



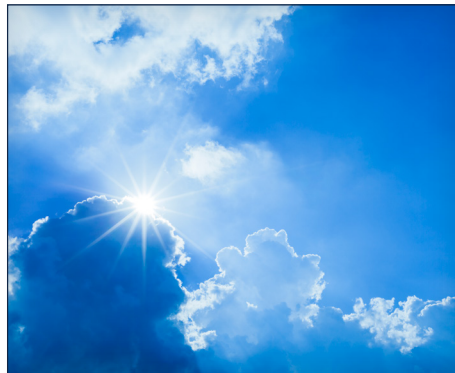
Nature 2



Nature 3



Nature 4



Clouds 1



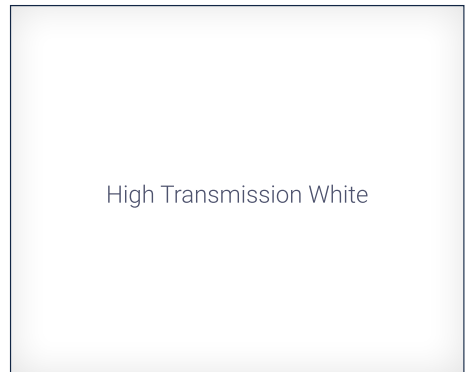
Clouds 2



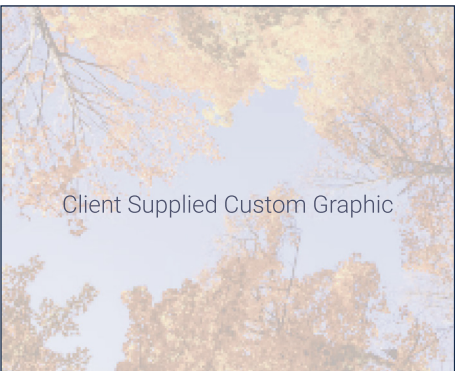
Clouds 3



Underwater 1



White (Standard)



Client Supplied Custom Graphic

Custom imagery prints are also available at additional cost, artwork must be supplied by the client.

Supplied artwork must meet requirements posted in our downloadable **Print Submission Guidelines** ([Click Here](#))

Disclaimer: Image options are provided for selection within our standard sizes. Prints exceeding standard sizes may result in reduced quality and cannot be guaranteed.

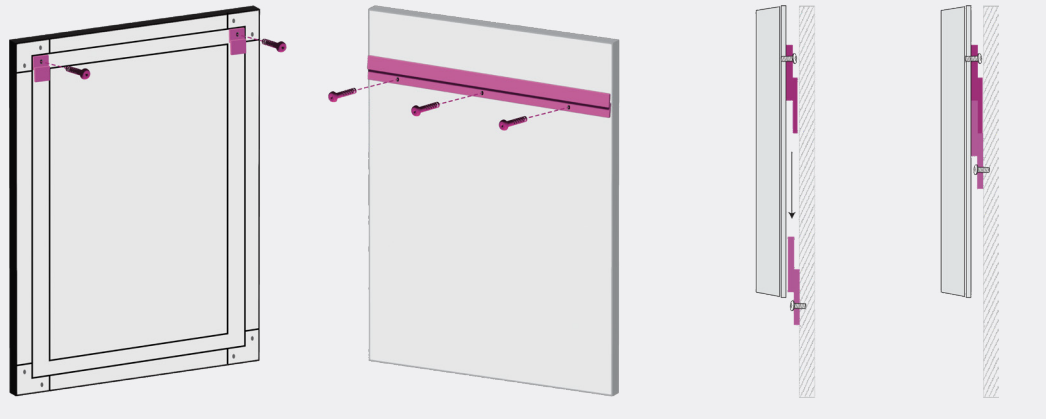
Custom Printed Acrylic

Customization

Mounting Options for Wall Applications

Option 1: Z-Clips

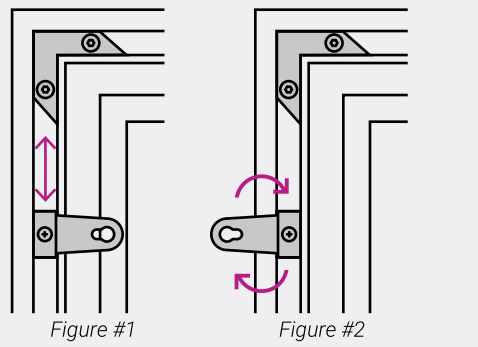
1. Place the supplied Z-Clip mounting hangers on the back of the frame and tighten.
2. Drill holes on the wall for screw locations.
3. Place Z-Clip mounting bracket on wall and tighten.
4. Hold frame in position close to the wall and slide from top to bottom to create a secure hold.



Option 2: Euro Hanger

Single-sided OmniFixt™ is provided with four mounting clips with keyhole slot on back along with pre-drilled hole(s) for securing the frame to the wall.

You can relocate (Figure #1) or turn the mounting clip 180 degrees (Figure #2) by loosening the screw. Make sure the screw on the clip is tightened after relocation before you install the light box.



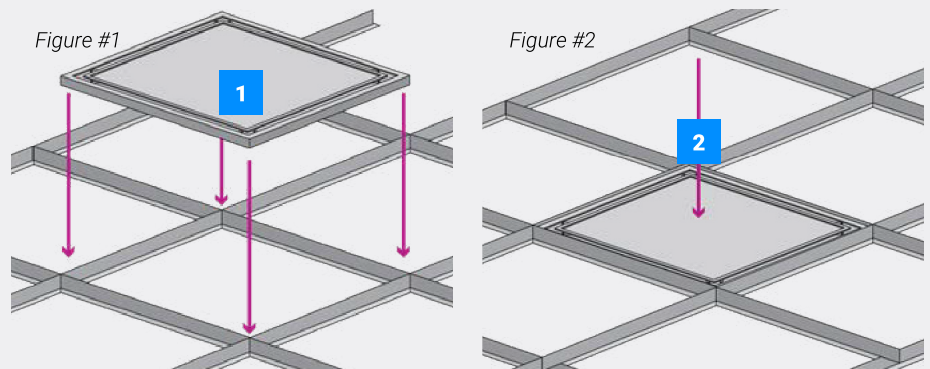
Mounting Option for Ceiling Applications

T-Bar Grid Mounting

Figure 1: Lift fixture at angle through the grid, align it with the T-Bar grid.

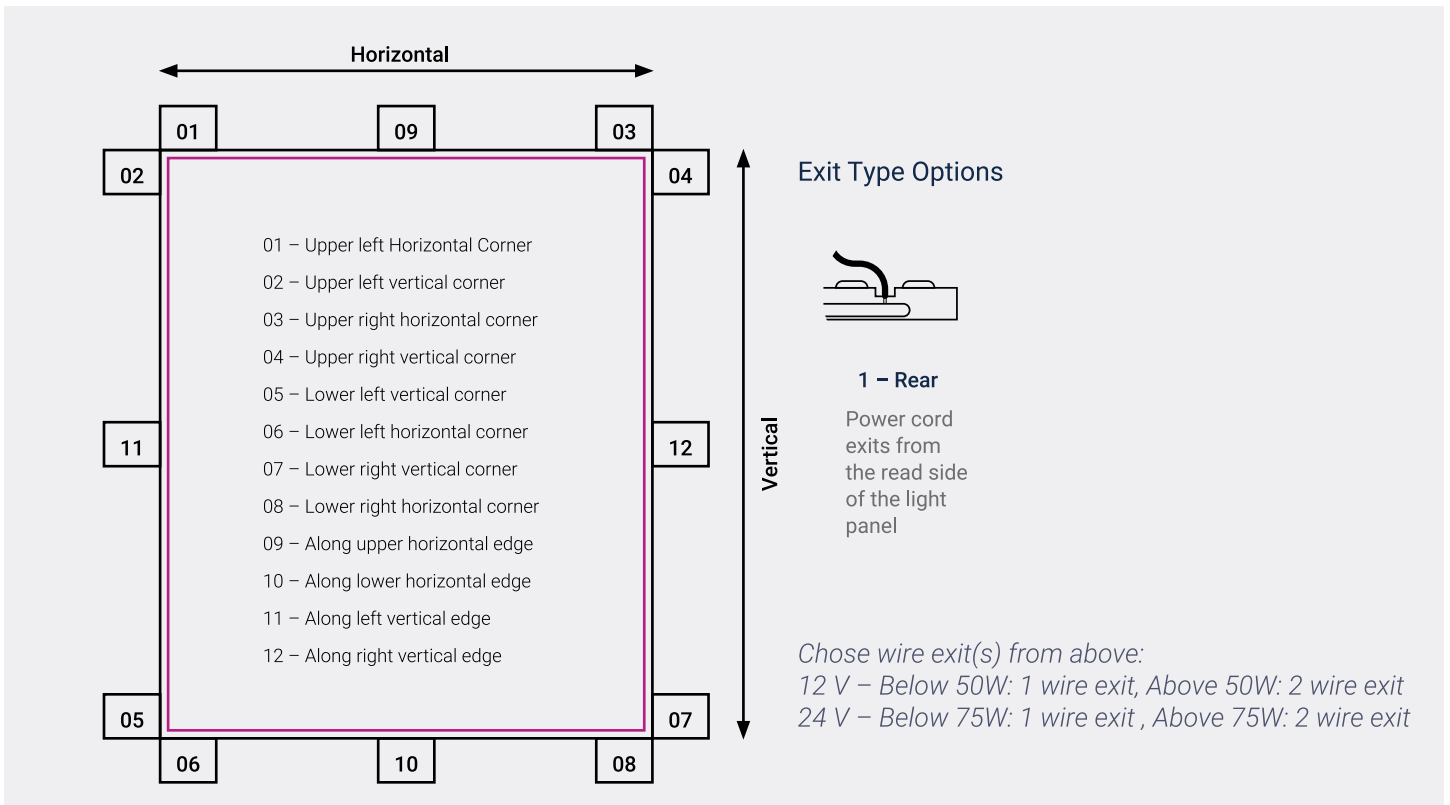
Figure 2: Drop fixture into its place within the T-Bar grid, it should fit easily and precisely.

Hardware (Euro Hanger) provided on one of the edges for securing hanger wire to T-Bar.



Customization

Wire Exit Locations

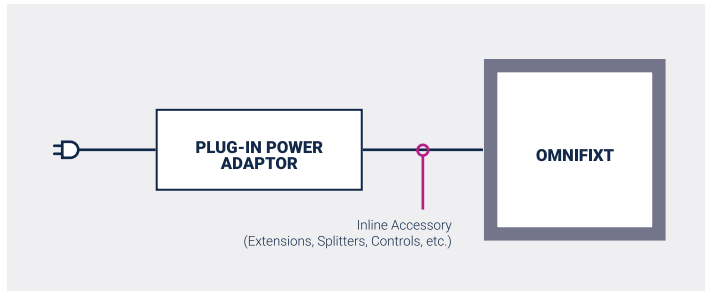


Customization

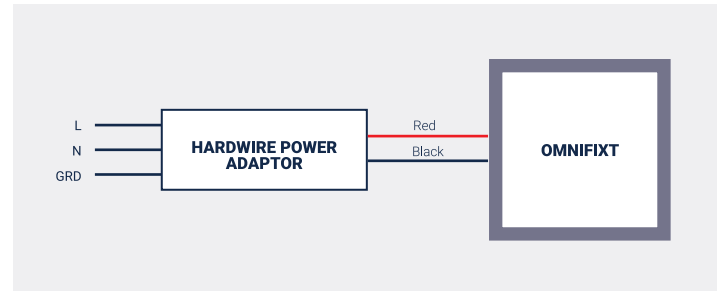
Wiring Options

Determine your system components, including a power adaptor, as well as optional dimmer and controller. Use only UL certified power adaptors with the power output that coordinates with your input voltage.

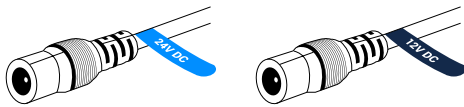
Using a Plug-in Power Adaptor



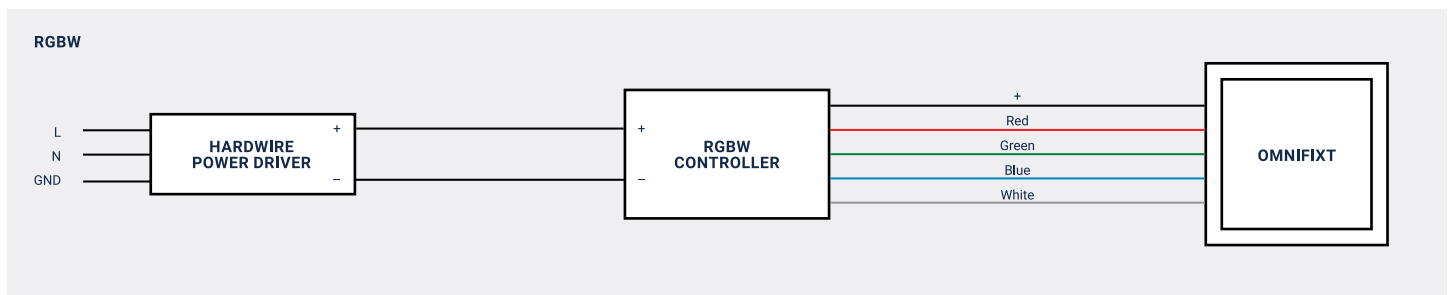
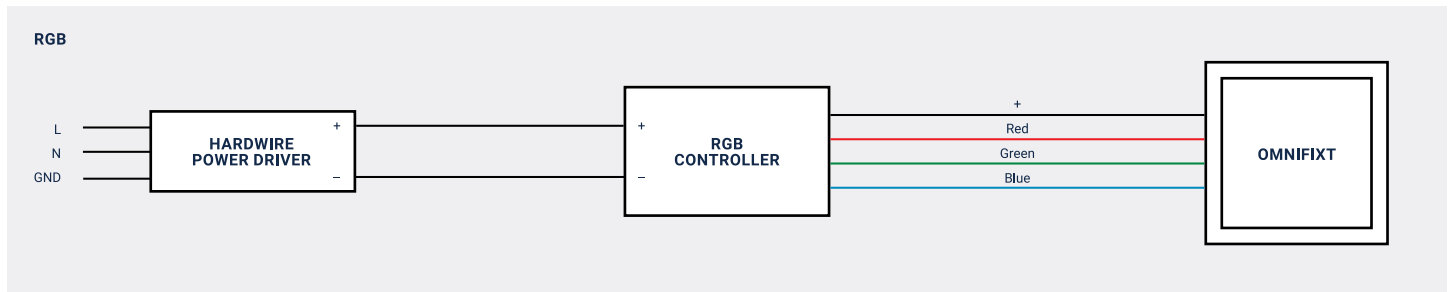
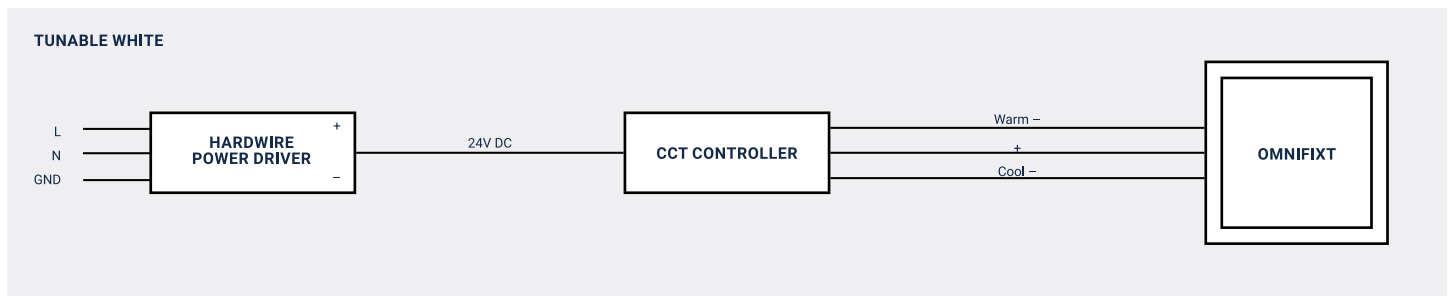
Wiring with Hardwire Power Adaptors



Use a plug-in adaptor to connect the Light Guided Panel to your power source via DC Jack.



1. Turn off power to your system at the main breaker
2. Install your system components. Refer to wiring guidelines for each component to build your system
3. Check connections and turn on power at the main breaker



Configurator

OmniFixt™ MRI Framed Light Guide Panel

Part #	Frame Color	Dimensions	Illumination	LED Location	Color Temperature
83190-MRI – OmniFixt™ MRI	10 – White	T1 – T1	1 – Single face	1 – 1 long edge	270 – 2700K
	20 – Silver	T2 – T2		2 – 2 long edge	300 – 3000K
	90 – Black	T4 – T4		3 – 1 short edge	350 – 3500K
	92 – Custom Color	T6 – T6		4 – 2 short edge	410 – 4100K
		T9 – T9		5 – all 4 edges	530 – 5300K
		T2x4 – T2x4		6 – Custom	650 – 6500K
		T4x4 – T4x4			000 – Tunable White
		xy – custom size			900 – RGB
					950 – RGBW (3000K)
					951 – RGBW (4100K)

Voltage	Wattage/ft	Exit Location	Exit Type	Connectors	Mounting
12 – 12V DC	2.4 – Low (2.4W)	01 – Upper left corner (H)	1 – Rear	1 – Black 5' with barrel plug	1 – Z-bars
24 – 24V DC	4.4 – Standard (4.4W)	02 – Upper left corner (V)		2 – White 5' with barrel plug	2 – Euro Hanger
	5.5 – Tunable (5.5W)	03 – Upper right corner (H)		3 – Black 10' with barrel plug	3 – T-Bar Grid
	4.4 – RGB (4.4W)	04 – Upper right corner (V)		4 – White 10' with barrel plug	4 – N/A
	4.9 – RGBW (4.9W)	05 – Lower left corner (H)		5 – Black 5' with bare leads	
		06 – Lower left corner (H)		6 – White 5' with bare leads	
		07 – Lower right corner (V)		7 – Black 10' with bare leads	
		08 – Lower right corner (H)		8 – White 10' with bare leads	
		09 – Along upper edge (H)			
		10 – Along lower edge (H)			
		11 – Along left edge (V)			
		12 – Along right edge (V)			

Order Code Example

83190-MRI-10-T1-1-1-350-12-2.4-02-1-1-2

Breakdown: OmniFixt™ MRI – sized T1 – Single Face illumination – LED located along 2 long edges – Color Temperature 3500K Static White – Voltage is 12V DC – Wattage is low 2.4W/ft – Exit location is at the upper left Vertical corner – Exit type is rear – Connector is 5' long, white cable with DC Jack – Mounting is with Euro Hangers.

Installation Instructions

Important Safeguards

When using electrical equipment, basic safety precautions should always be followed, including the following:

This product must be installed in accordance with the applicable installation code by a person familiar with the construction and operation of the product and the hazards involved.

Disconnect power to all circuits before wiring fixture. Install in accordance with all national, state, and local codes. Do not connect to an ungrounded supply. Read all fixture markings and

labels to ensure correct installation of fixture. Supplemental instructions may be located on the fixture, in addition to this instruction sheet, regarding orientation, or mounting restrictions.

Generic Instructions

- Disconnect power to all circuits before wiring system.
- Install in accordance with all national, state, and local codes.
- Do not connect to an ungrounded supply.
- Wiring connections must be made internal to the enclosure.
- Failure to install unit on a mechanically-sound surface may result in personal injury, physical damage, or potential fire hazard.
- Use installation procedures appropriate for an environment involving MRI and sensitive electronic equipment.
- Read all markings and labels to ensure correct installation of the power supply. Supplemental instructions may be located on the enclosure, in addition to this instruction sheet, regarding orientation, or mounting restrictions.

Lightbox Mounting Procedure

T-bar grid systems with vertical grid T thickness of less than 1/4". Grid systems can be installed with standard 24" x 24", 24" x 48" or 48" x 48" centerline grid spacing.

Use the following procedure to install the lightbox(es) into the ceiling grid:

- Unpack products from the shipping carton.
- Determine where lightbox(es) will be mounted and note the desired orientation of graphic images within room.

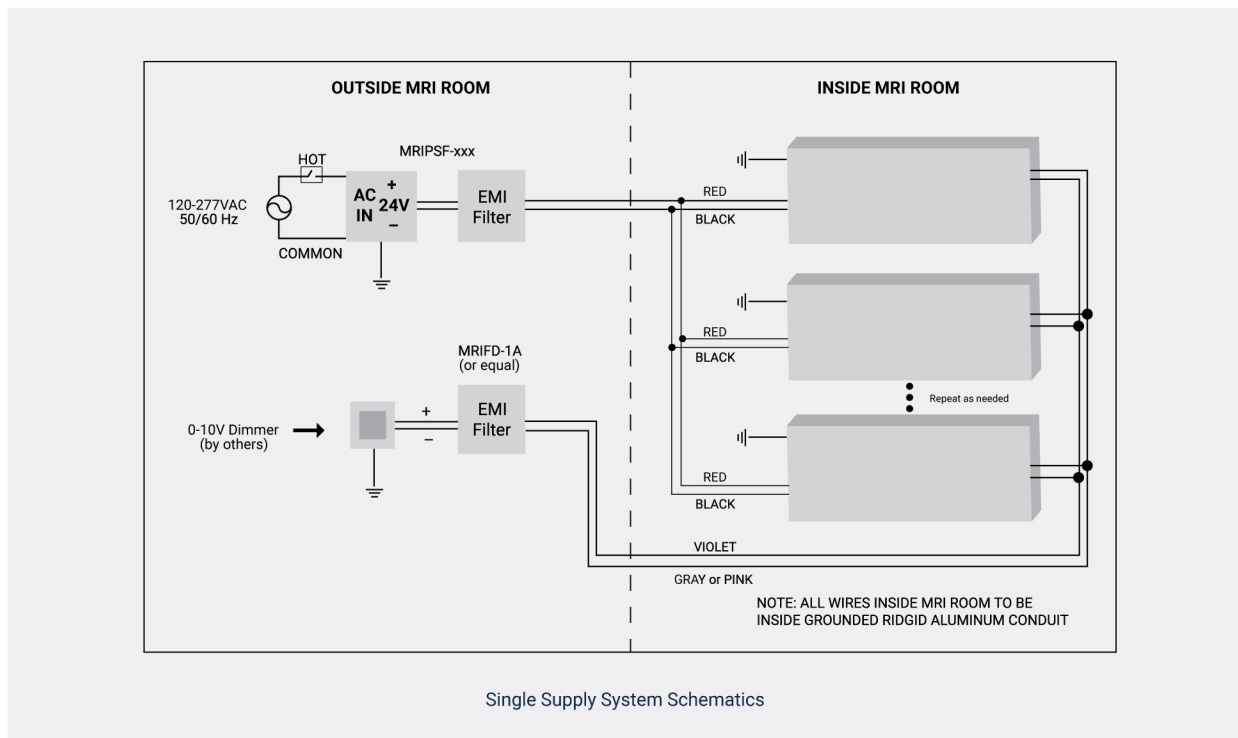
NOTE : For installations with a multiple-configuration (the image is divided among multiple lightboxes), make sure lightbox is oriented to produce a continuous image.

- Lift lightbox(es) into ceiling structure using a recommended minimum of two able-bodied individuals.
- Lay lightbox(es) into grid.
- Attach support wires between fixture Euro hangers and ceiling support structure.
- Install the remote power supply and EMI filter (not included, supplied by others) in accordance with the supplied installation instructions.
- If a 0-10V dimming circuit is to be connected, install at this time. The 0-10V dimmer must be installed outside the shielded MRI environment with the dimming line filter (see Omnify recommended dimmers on drivers specifications at page 9.)

Installation Instructions

Lightbox Mounting Procedure

- Run DC wiring, equal in size and temperature rating to the filter input wiring, between the filter output cables and the first luminaire within the shielded room. Follow recommended wiring layout described within Single-Supply System Schematic. All wiring must be within completely-enclosed, grounded conduit suitable for an MRI environment. Any gaps, regardless of size, must be closed or wrapped in copper foil tape. Special attention should be paid to the wiring entry point into the shielded space.
- Class 1 wiring methods are required.



- Run the dimming signal wiring, equal in specification to the filter input wiring, between the filter output cables and the first luminaire within the shielded room. Maintain polarity between input and output sides of the filter and follow wiring recommendation in Multi-Fixture Wiring Schematic. All wiring must be within completely enclosed, grounded conduit suitable for an MRI environment. Any gaps, regardless of size, must be closed or wrapped in copper foil tape. Special attention should be paid to the wiring entry point into the shielded space. Cap gray (or pink) and violet leads at luminaire(s) if dimming function is not implemented.
- Connect power on line voltage side and test system operation. Test operation of lighting system, including dimming functionality, during MRI machine idle mode and during scanning operations.