



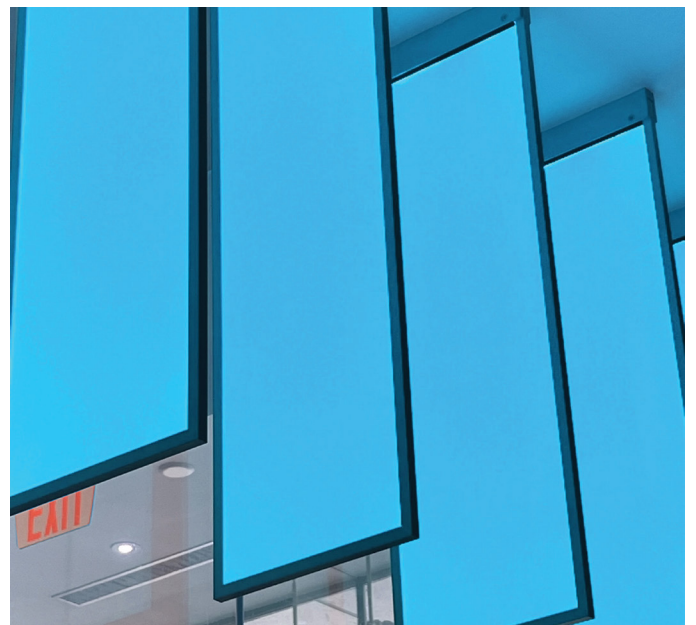
## Welcome to the OmniBlade™ Installation Guide

This step-by-step manual will walk you through the process of installing and configuring your OmniBlade™ panel, ensuring that you get the most out of this impactful ceiling and wall system. Whether you're a first-time user or an experienced professional, this guide will provide clear instructions to help you set up OmniBlade™ in your space with ease. Let's get started!

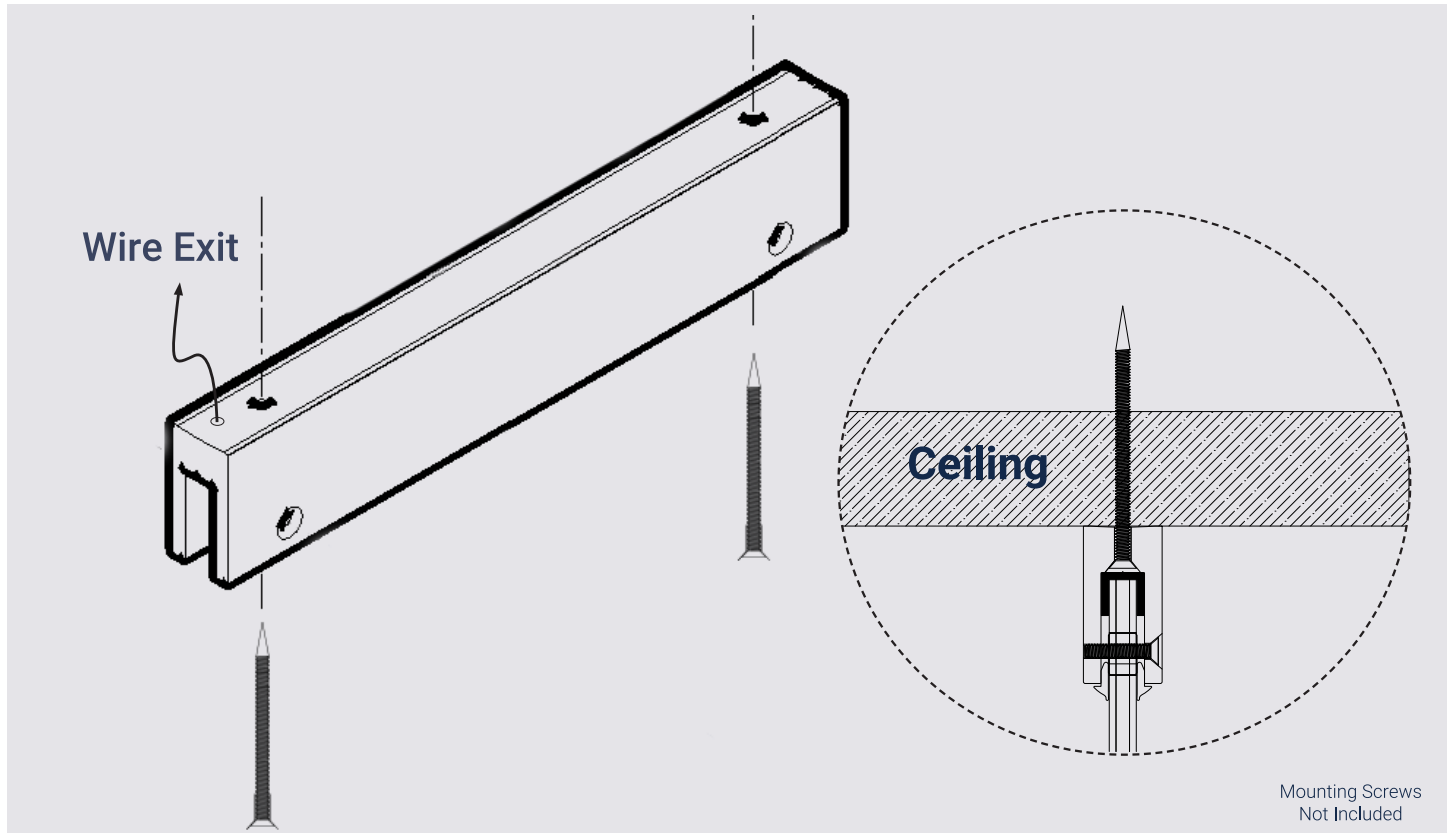


### What's included:

- OmniBlade™ Panels
- OmniBlade™ Powder Coated Colour Matched Brackets
- Accessories Based On Mounting Preference



## Direct Mount Option

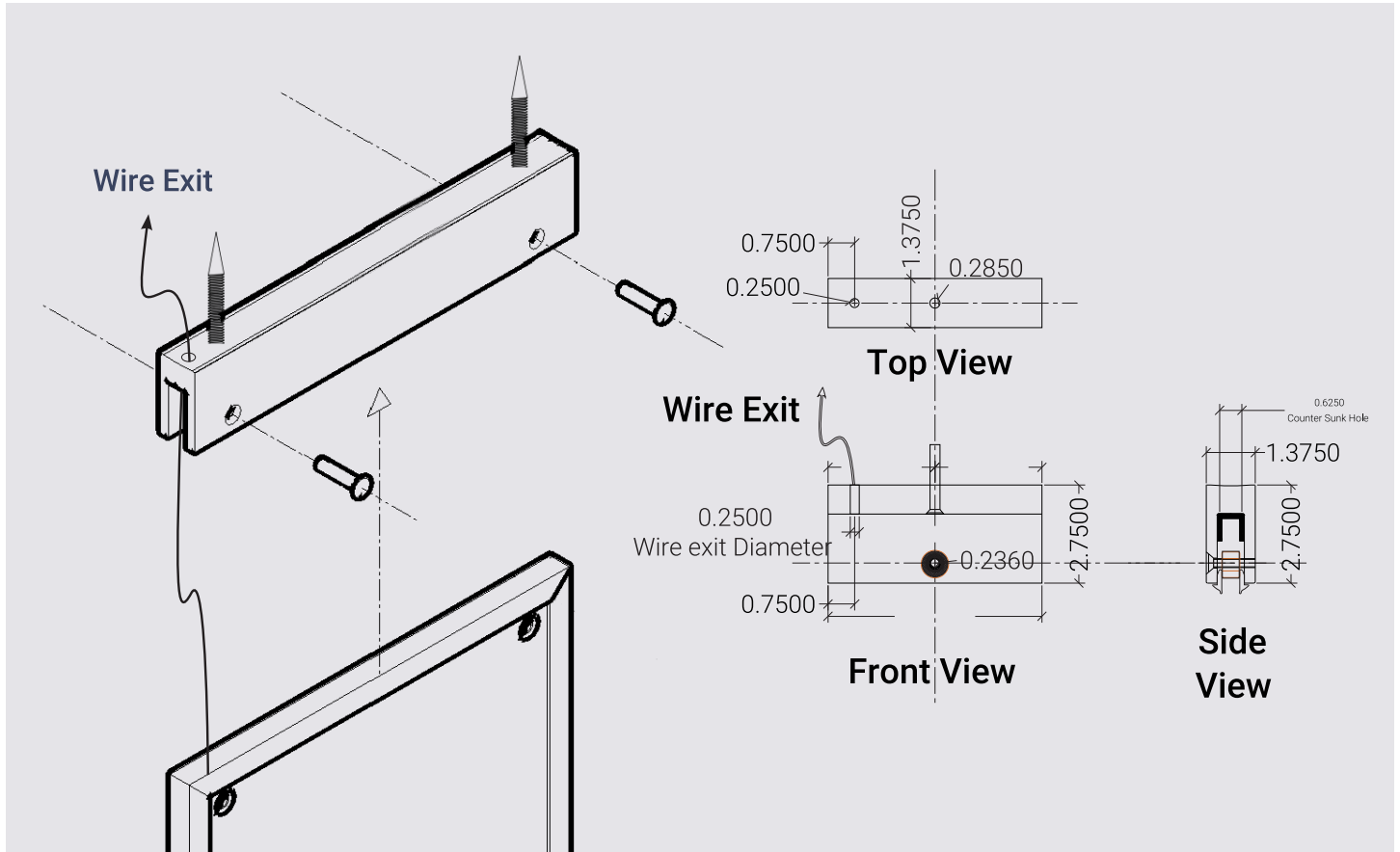


### 1. Setting The Brackets

- 1 Position the mounting bracket at the desired location.
- 2 Drill up into ceiling joist or beam aligning with mounting holes.
- 3 Use the appropriate drill bit to create new holes. (Drill bit –" " in new holes). The beam must be capable of supporting a minimum of 35 lbs per linear foot (35lb/Linear ft).
- 4 Secure the bracket to the ceiling using screws to ensure it is level and straight. Use shims if necessary to achieve desired level position.

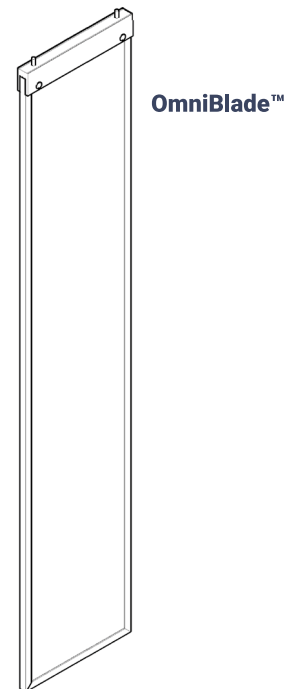
**Note:** Make sure the bracket is perfectly straight with no curvature. A level and straight bracket is crucial to prevent buckling.

## Direct Mount Option

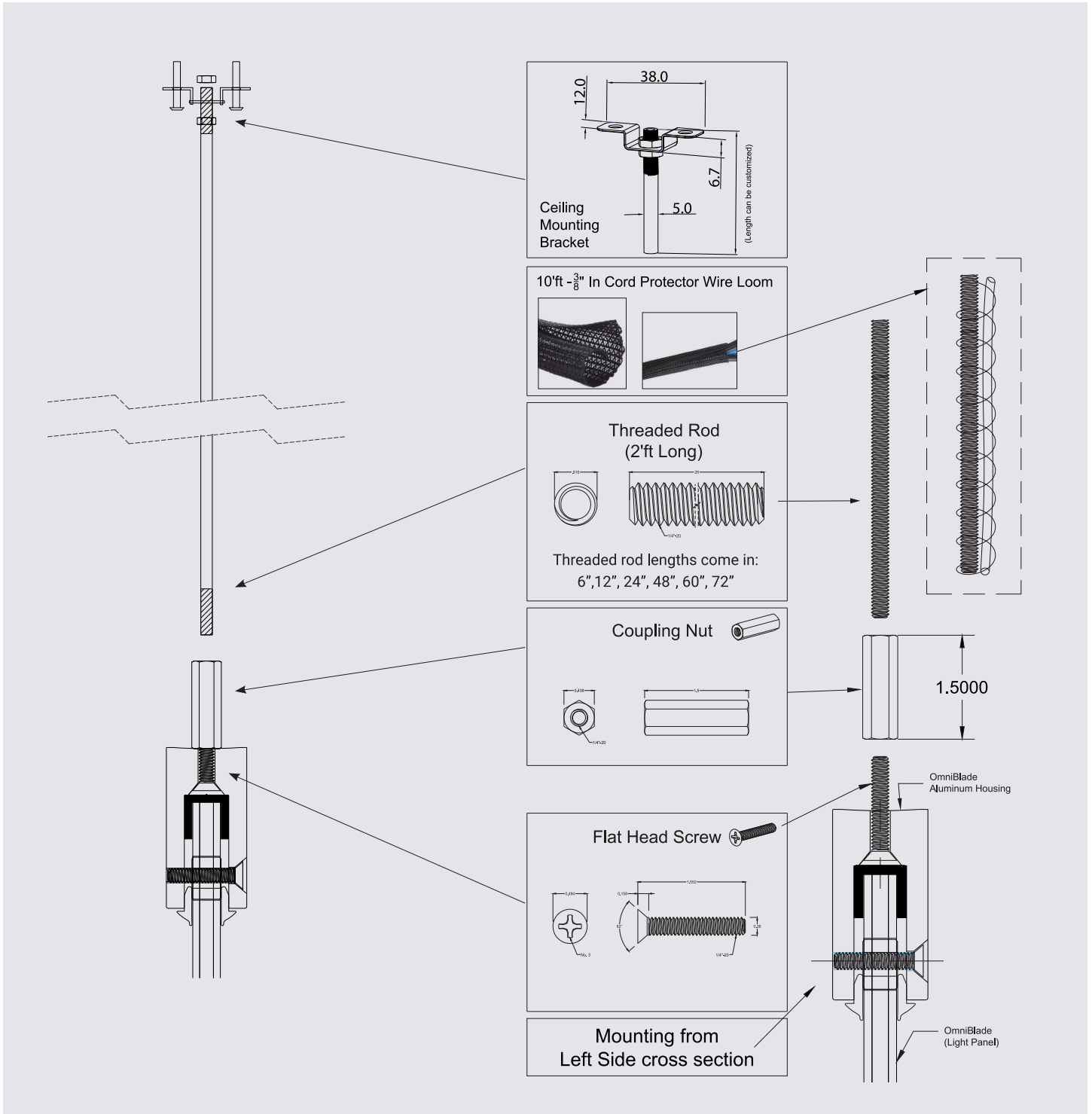


## 2. Hanging OmniBlade™

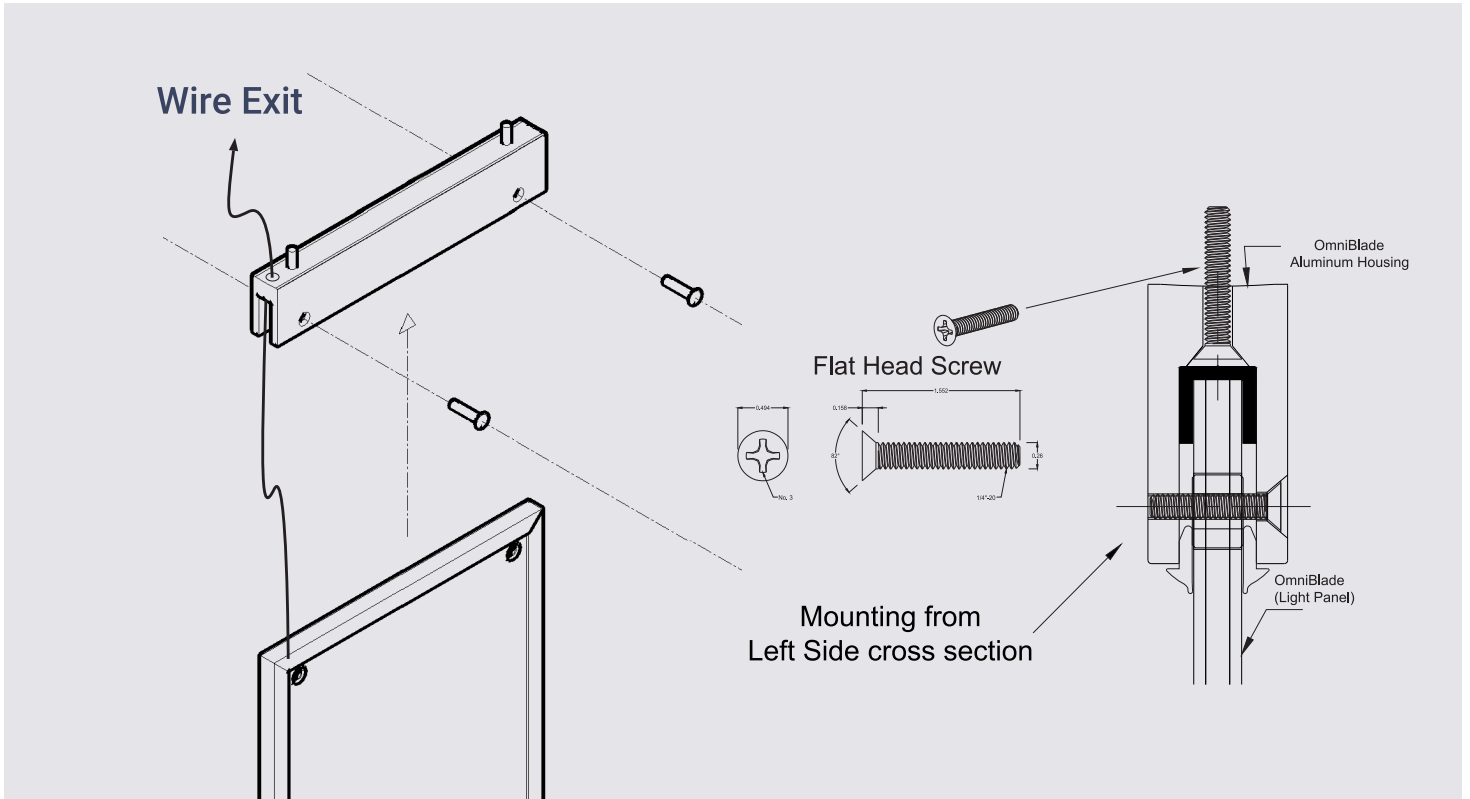
- 1** Insert wire through wire exit in the bracket before inserting panel.
- 2** Insert the OmniBlade™ Panel into bracket. The pre-drilled holes on the OmniBlade™ should align with the holes on the bracket.
- 3** Once OmniBlade™ panel is inserted into bracket, secure with provided bolts.



## Pendant Mount Components



## Pendant Mount Option

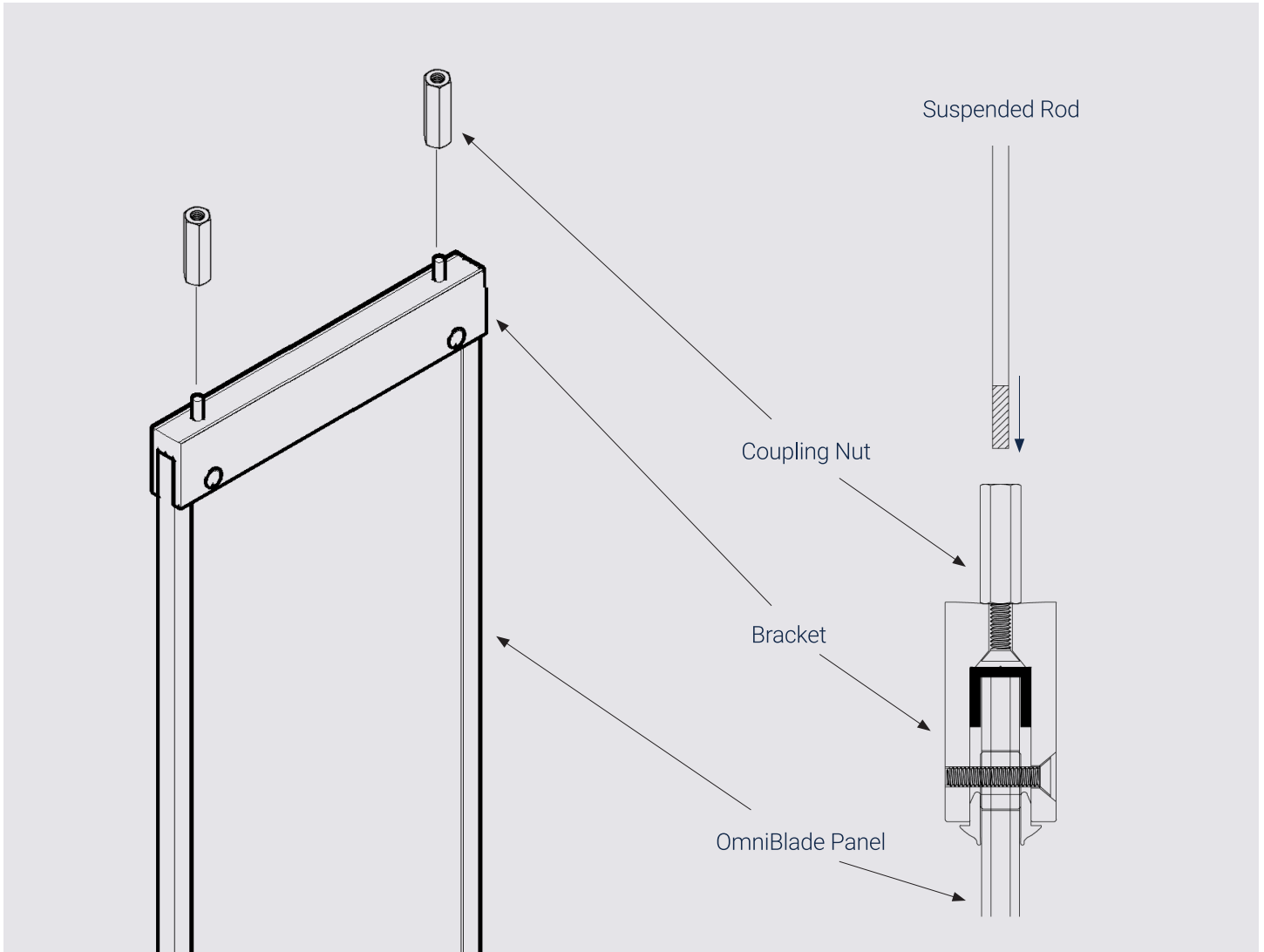


### 1. Setting The Bracket

- 1** Insert wire through wire exit in the bracket before inserting panel.
- 2** Insert the OmniBlade™ Panel into bracket. The pre-drilled holes on the OmniBlade™ should align with the holes on the bracket.

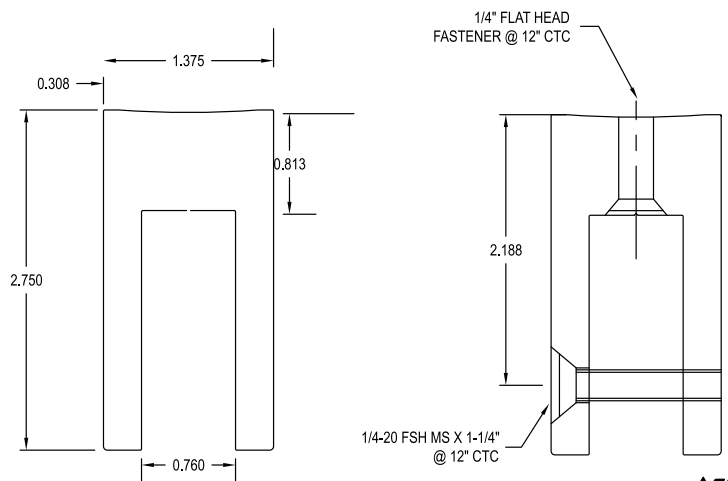
**Note:** Make sure the bracket is perfectly straight with no curvature. A level and straight bracket is crucial to prevent buckling.

## Pendant Mount Option

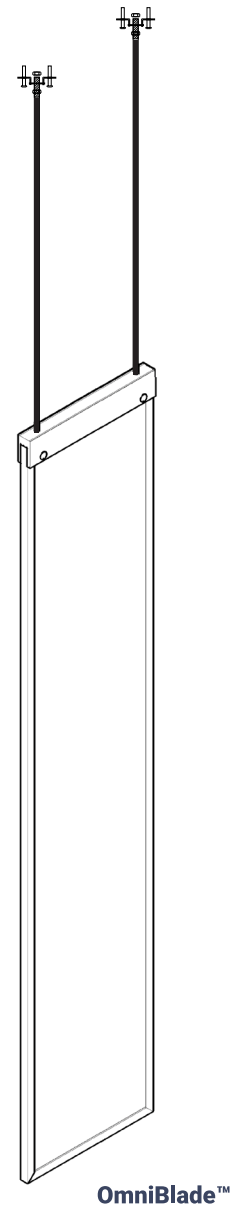
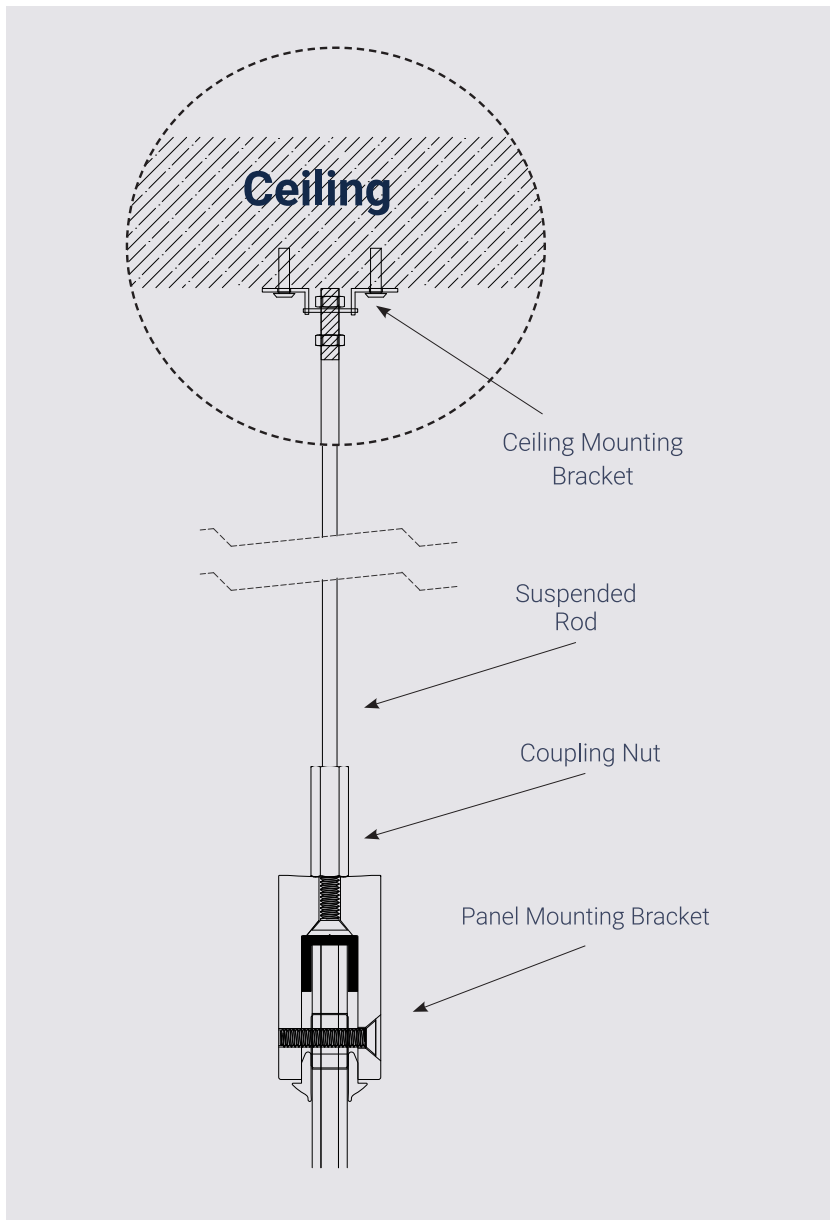


## 2. Attach Suspended Rod

- 1** Attach coupling nuts to bolts on bracket.
- 2** Screw suspended rod into coupling bolts.



## Pendant Mount Option



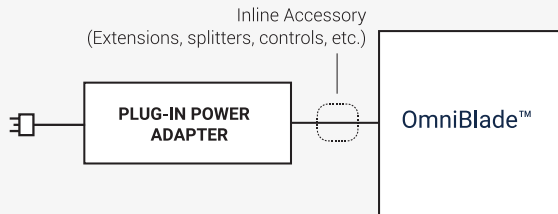
### 3. Mount Ceiling Bracket

- 1** Secure the bracket to the ceiling using screws to ensure it is level and straight. Use shims if necessary to achieve desired level position. The beam must be capable of supporting a minimum of 35 lbs per linear foot (35lb/Linear ft).
- 2** Screw suspended rod into ceiling mounting bracket and fasten nuts accordingly.

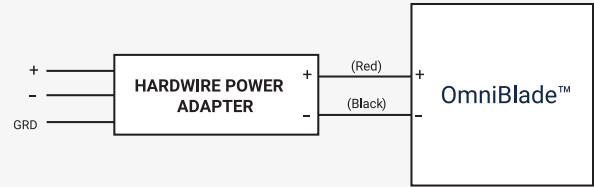
## Wiring Options

Determine your system components, including a power adaptor, as well as optional dimmer and controller. Use only UL certified power adaptors with the power output that coordinates with your input voltage. Do not apply 24V DC to 12V DC panels, as within seconds the result may be burned LEDs or fire. Look for your voltage tags at the end of the power cord.

### Using a Plug-in Power Adaptor



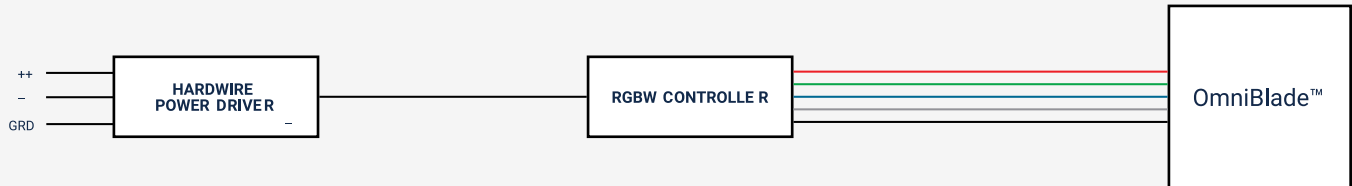
### Wiring with Hardwire Power Adaptors



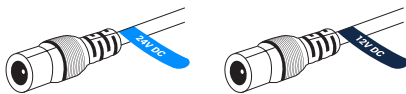
### Tunable



### RGBW



Use a plug-in adaptor to connect the OmniBlade™ Panel to your power source via DC Jack.



1. Turn off power to your system at the main breaker
2. Install your system components. Refer to wiring guidelines for each component to build your system
3. Check connections and turn on power at main breaker

### WARNING:

OmniBlade™ panels must be stored inside, and stacked horizontally to avoid any bowing of the panel.

OmniBlade™ panels may have sharp edges. Always wear gloves and other appropriate clothing and footwear for your protection during the installation process.

## Specifications

Performance		OmniBlade™
Part Number		#1316143
CRI		≥90
Color Temperature		2700K, 3000K, 3500K, 4100K, 5300K, 6500K, Tunable, RGBW
Surface Brightness		≥ 3,200 lux
Lumen Maintenance		L70 @ ~ 54,000 hrs
Light Engine		OmniSheet™
Illumination		Double face Illumination (DFI)
Operating Temp.		-30° C (-22° F) ~ +40° C (+104° F)
IP Rating		IP22
Environment		Dry/Damp location, Indoor use only
UL / ETL		UL Listed (E346146)
Warranty		5 Years
Mechanical		
Panel Thickness & Bracket *		Panel 12 mm* Bracket 35 mm
Dimensions		Custom sizes, Max: 48"x96" Min: 15"x15"
Weight		> 3.50 lbs/sqft - Not including bracket
Diffuser Options		3.0 mm Pantone® Printed or CMYK Printed Acrylic
Mounting Options		Suspend Cable   Direct Mount
Electrical		
Input Voltage		Constant Voltage: 24V Constant current: 36-48V, 281 mA/m (85 mA/ft)
Power Consumption		Standard 4.4W /ft   Tunable: 5.5W /ft max   RGBW: 4.9W /ftmax
Wire size		20 AWG, 2 wire, Tunable 3 wire; RGBW 5 wire
Wiring Options		Each blade must have direct connection to power supply.
Connector Options		5' (1.5 m) or 10' (3.0 m) wire with 5.5 / 2.1 mm Barrel Plug or bare leads (UL9490)

\* Combined thickness by standard construction using 6mm OmniSheet™ and two 3mm diffusers.