

LIGHT GUIDED PANELS

Embedded LED dimmable light panels

With state-of-the-art technology and design, Evo-Lite's light guided panels provides the most consistent light output and true-to-life color rendering



Fully Custom

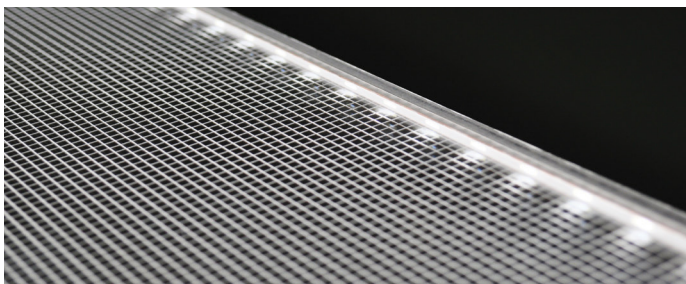


High 95+ CRI



Dimmable LEDs

MOUNTING



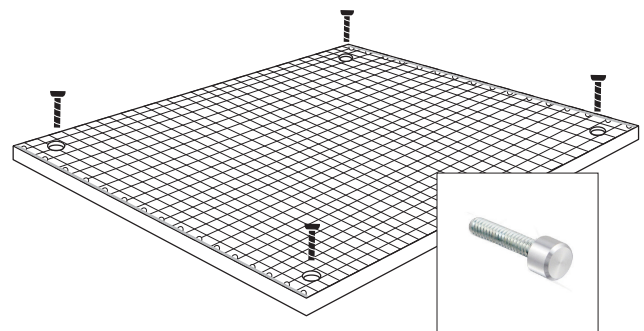
• *Light Guided Panels must be installed and serviced by a licensed electrician*

- ⚠ • *Aluminum heat sink must not be removed from the product*
- *Only install in indoor environments*
- *Use only with a Class 2 power adaptor*

• Mount panels securely using one of these options:

OPTION 1: SCREWS WITH PRE-DRILLED HOLES

Holes must be drilled during the manufacturing process according to specification drawings.





MOUNTING

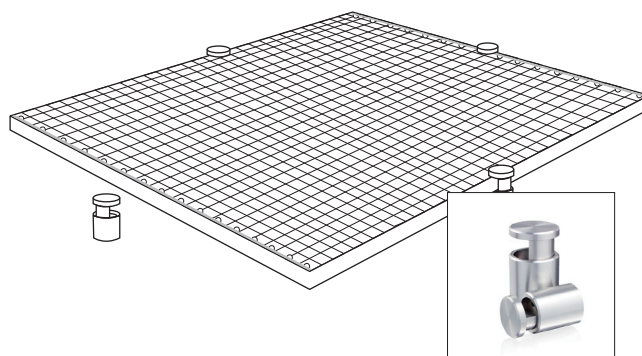
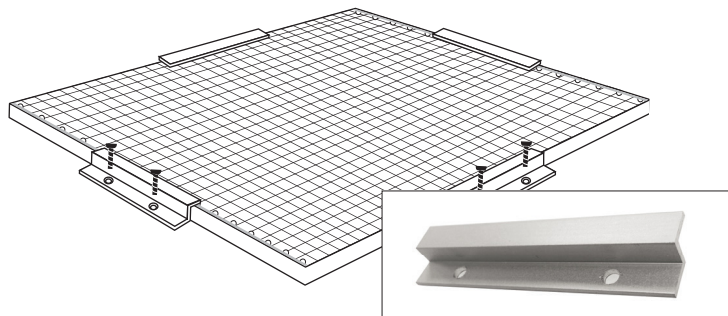
OPTION 2: Z-CLIPS

Screw z-clips to the wall. Request Z-clips if required.

OPTION 3: EDGE CLIPS / STANDOFFS

Source either 5/16" (8 mm), or 1/4" (6 mm) clips to suit the depth of your Light Guided Panel. Affix the panel to the surface as you would a mirror. Edge clips are sold separately.

Contact us before attempting any other mounting option.



WIRING

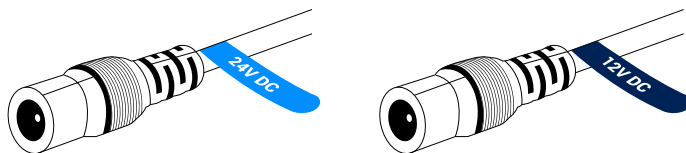
- Determine your system components, including a power adaptor, as well as optional dimmer and controller. Use only UL certified power adaptors with the power output that coordinates with your input voltage. Do not apply 24V DC to 12V DC Light Guided Panel, as within seconds the result may be burned LEDs or fire. Look for our voltage tags at the end of the power cord.

WIRING WITH PLUG-IN POWER ADAPTORS:

- Use a plug-in adaptor to connect the Light Guided Panel to your power source.

WIRING WITH HARDWIRE POWER ADAPTORS:

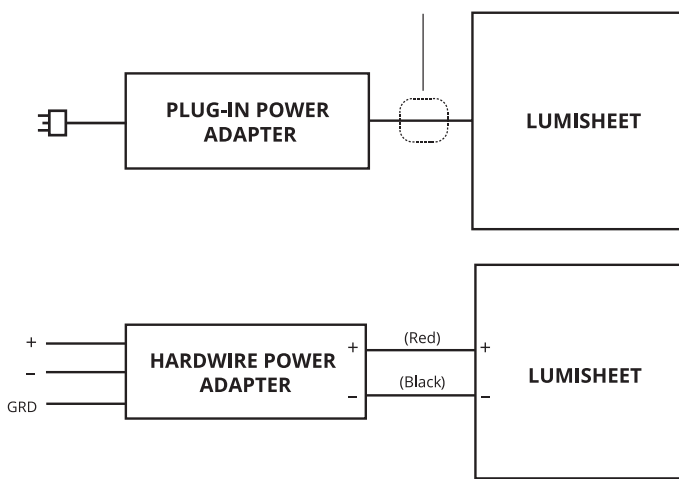
- Turn off power to your system at the main breaker;
- Install your system components. Refer to wiring guidelines for each component to build your system;
- Check connections and turn on power at the main breaker.



CARE & HANDLING

- Light Guided Panels are not to be bent or twisted unless they're specific for that use.
- Handle large panels with care
- Light Guided Panels should not be located where it will be exposed to excessive heat
- It is recommended but not required to leave a little bit of space (~ 1/2") between the panels and the mounting surface for heat dissipation
- Keep the back of the panel in contact with a metal sheet, mounted to the wall
- Do not use adhesives to affix a graphic directly to the Light Guided Panel, as doing so will result in a significant decline in the light output
- Diagrams are examples only. Be sure to consult specification and installation guides for all components in your system. Always ensure you are complying with NEC and local regulations
- Avoid voltage drop by keeping cords from the power adaptor as short as possible (standard is 10' at 20 AWG). If the product must be installed far from the power adaptor (beyond 20'), cut off the DC plug and use a large gauge (>16 AWG) cord to mitigate a voltage drop
- Multiple panels wired to a single power adaptor are to be connected in parallel to maximize light output and avoid voltage drop
- Omnify has various dimmer / controller devices. Please contact a representative to choose an option that will best suit your application.

Inline Accessory
(Extensions, splitters, controls, etc.)



⚠ We are not responsible for any injuries or damages caused by improper installation. Contact us for more information.