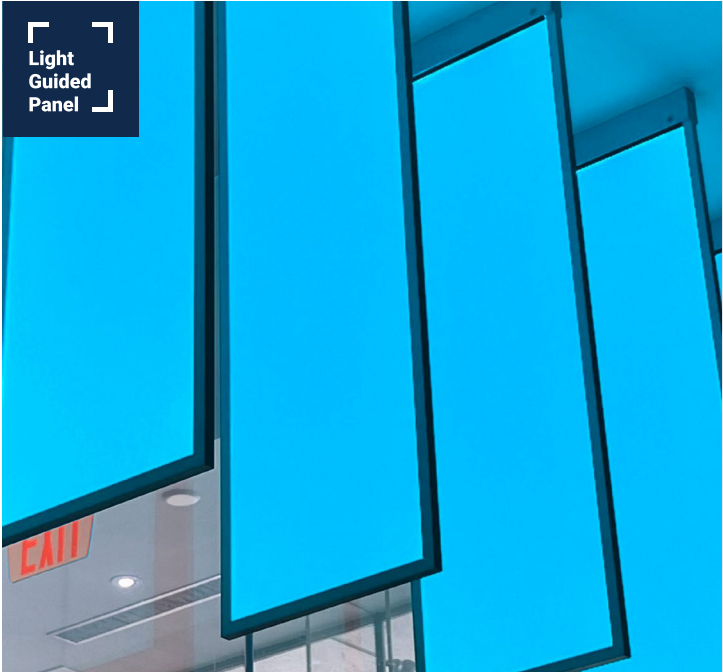


Project		Location	
Contact		Date	
Part#		Fixture	

OmniBlade™

Illuminated Ceiling Panel System



Description

OmniBlade™ is a sleek, high-impact ceiling system designed for modern commercial spaces. With its ultra-thin profile and double-sided illumination, it delivers bold, even lighting that enhances any environment. Available in precision PMS color-matching options, it's the perfect choice for elevating ambiance and brand presence. Our unique mounting bracket ensures easy installation.

Applications

- Retail Storefront
- Building Fascades
- Hospitality
- Stadiums and Exhibitions



Manufactured in North America



Double-Sided Illumination



PMS Color Matching



Sleek And Minimal Look



Easy Install

Key Features

- Ultra-thin, minimalist design for a clean, modern aesthetic
- Edge-to-edge LED lighting ensures seamless, glare-free illumination
- CRI of 95+ and up to 3200 lux
- Patented V-Cut technology ensures uniform, hot-spot-free illumination
- Hassle-free mounting options
- Precision PMS color matching for consistent branding



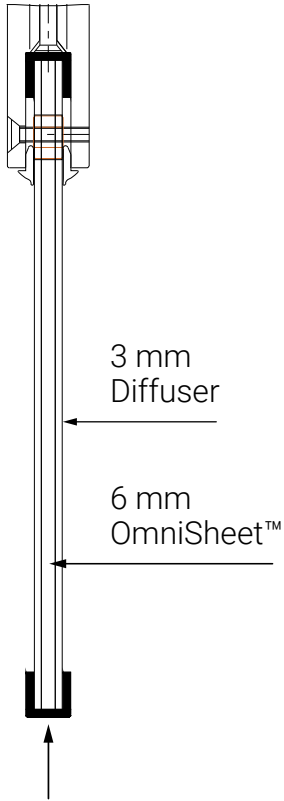
Specifications

Performance		OmniBlade™
Part Number	#1316143	
CRI	≥90	
Color Temperature	2700K, 3000K, 3500K, 4100K, 5300K, 6500K, Tunable, RGBW	
Surface Brightness	≥ 3,200 lux	
Lumen Maintenance	L70 @ ~ 54,000 hrs	
Light Engine	OmniSheet™	
Illumination	Double face Illumination (DFI)	
Operating Temp.	-30° C (-22° F) ~ +40° C (+104° F)	
IP Rating	IP22	
Environment	Dry/Damp location, Indoor use only	
UL / ETL	UL Listed (E346146)	
Warranty	5 Years	
Mechanical		
Panel Thickness & Bracket *	Panel 12 mm* Bracket 35 mm	
Dimensions	Custom sizes, Max: 48"x96" Min: 15"x15"	
Weight	> 3.50 lbs/sqft - Not including bracket	
Diffuser Options	3.0 mm Pantone® Printed or CMYK Printed Acrylic	
Mounting Options	Suspend Cable Direct Mount	
Electrical		
Input Voltage	Constant Voltage: 24V Constant current: 36-48V, 281 mA/m (85 mA/ft)	
Power Consumption	Standard 4.4W /ft Tunable: 8.0W /ft max RGBW: 4.9W /ftmax	
Wire size	20 AWG, 2 wire, Tunable 3 wire; RGBW 5 wire	
Wiring Options	Each blade must have direct connection to power supply.	
Connector Options	5' (1.5 m) or 10' (3.0 m) wire with 5.5 / 2.1 mm Barrel Plug or bare leads (UL9490)	

* Combined thickness by standard construction using 6mm OmniSheet™ and two 3mm diffusers.

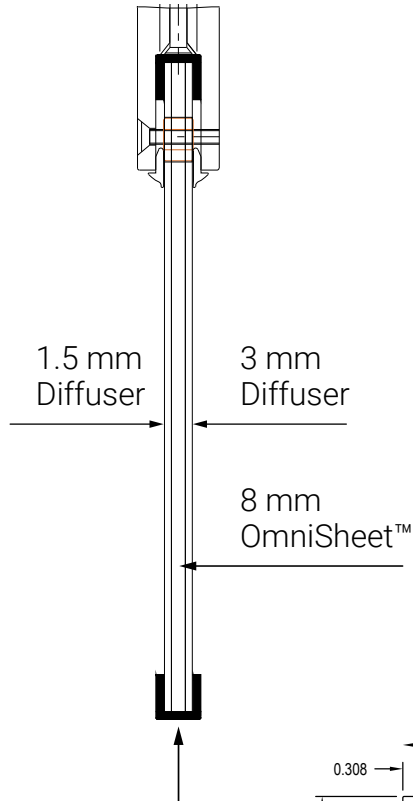
Frame Profile

Standard

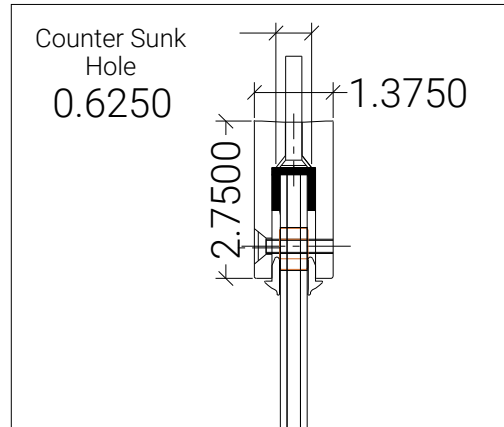


Aluminum U Channel

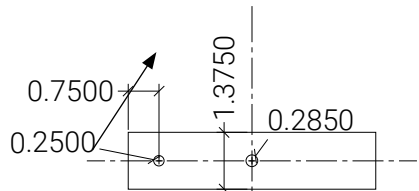
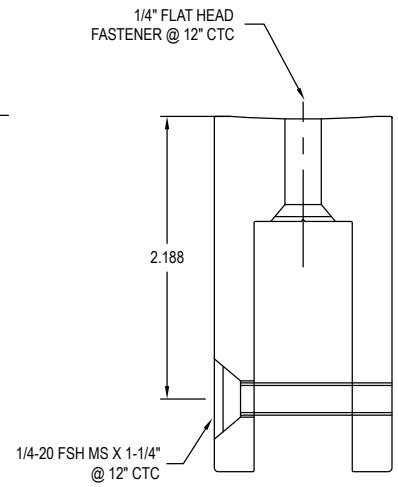
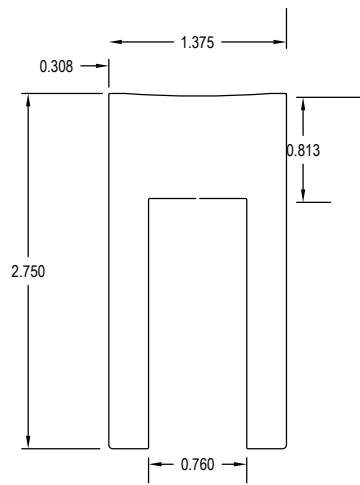
Tunable/RGBW



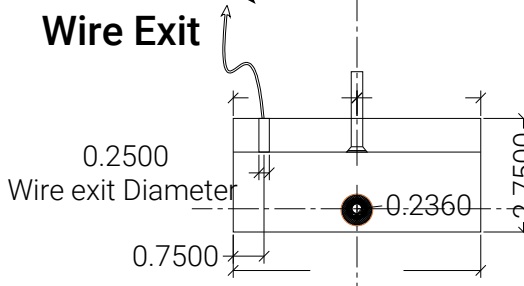
Aluminum U Channel



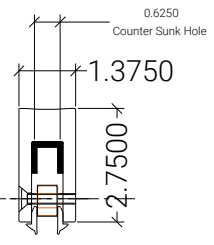
Mounting Bracket



Top View



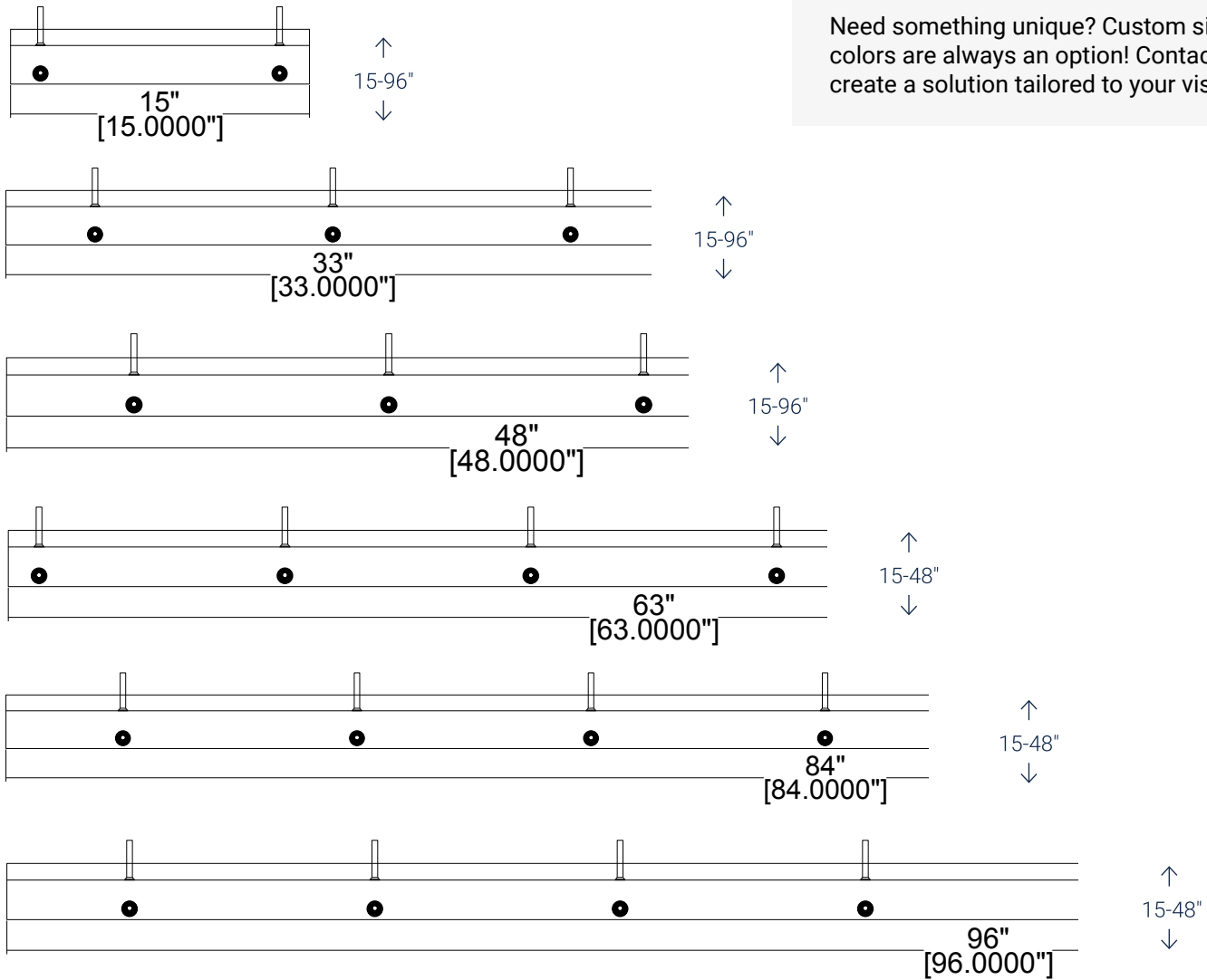
Front View



Side View

Sizes

Standard Sizes (Max size : 48" x 96")



Need something unique? Custom sizes and colors are always an option! Contact us to create a solution tailored to your vision.

Colors



Diffuser Color (Body)



Red



Green



Blue



White

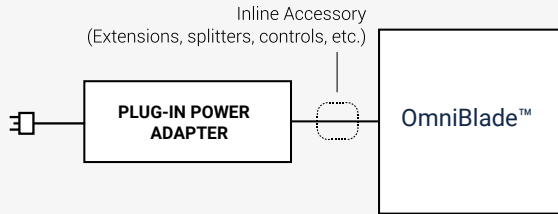


Custom PMS Branding – Precision PMS color-matching, logos and graphics integration for a bold, on-brand glow. Contact us to create a solution tailored to your vision.

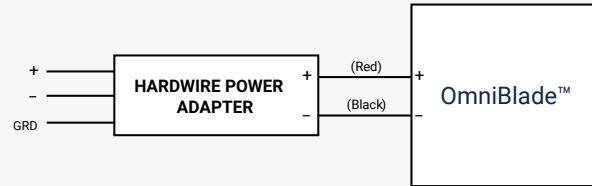
Wiring Options

Determine your system components, including a power adaptor, as well as optional dimmer and controller. Use only UL certified power adaptors with the power output that coordinates with your input voltage. Do not apply 24V DC to 12V DC panels, as within seconds the result may be burned LEDs or fire. Look for your voltage tags at the end of the power cord.

Using a Plug-in Power Adaptor



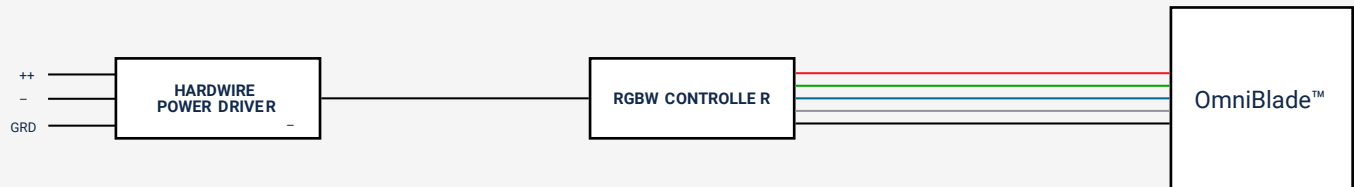
Wiring with Hardwire Power Adaptors



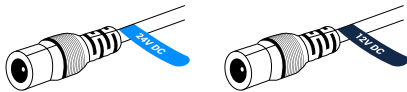
Tunable



RGBW



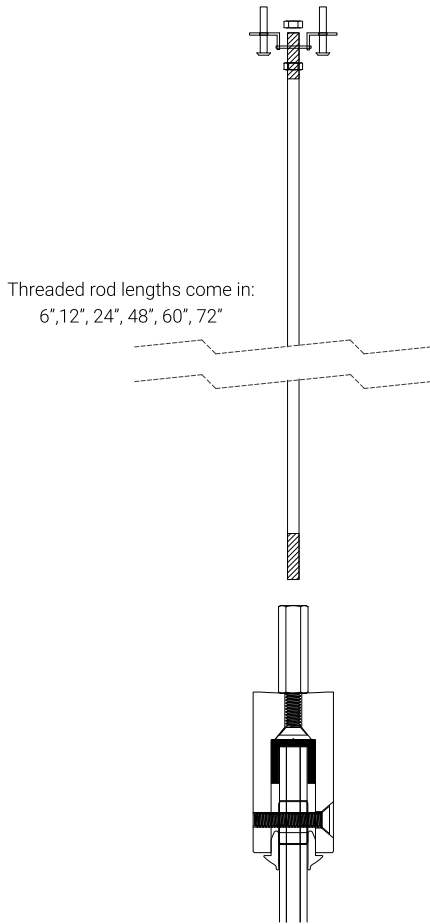
Use a plug-in adaptor to connect the Light Guided Panel to your power source via DC Jack.



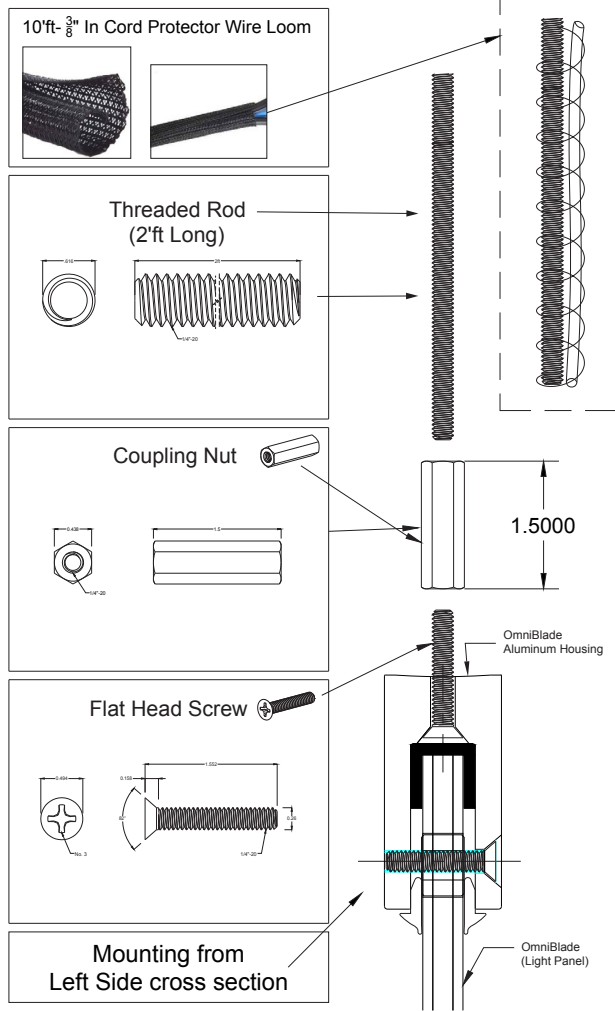
1. Turn off power to your system at the main breaker
2. Install your system components. Refer to wiring guidelines for each component to build your system
3. Check connections and turn on power at main breaker

Mounting Options

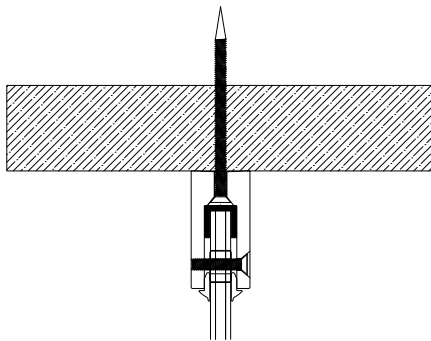
Pendant Mount



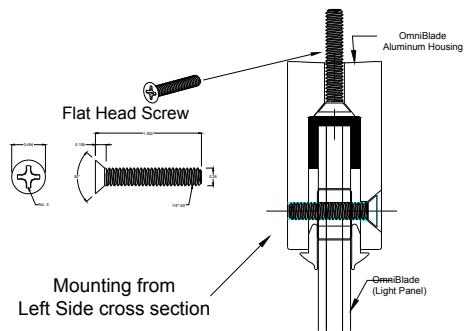
Components



Direct Mount



Mounting Screws Not included



Configurator

Illuminated Ceiling Panel System

1316143 – OmniBlade™

Width	Height	Color Temperature	Color	Connectors	Mounting
1 – 15"	CC – Custom (h)	270 – 2700K	30 – Red	1 – Black 5' with barrel plug	DMM – Direct Mount
2 – 33"		300 – 3000K	33 – Green	2 – White 5' with barrel plug	SCM6 – 6" Rod
4 – 48"		350 – 3500K	50 – Blue	3 – Black 10' with barrel plug	SCM12 – 12" Rod
6 – 63"		410 – 4100K	10 – White	4 – White 10' with barrel plug	SCM48 – 48" Rod
8 – 84"		530 – 5300K	90 – Black	5 – Black 5' with bare leads	SCM60 – 60" Rod
9 – 96"		650 – 6500K	XX – PMS Matching	6 – White 5' with bare leads	SCM72 – 72" Rod
CC – Custom (w)		003 – Tunable White		7 – Black 10' with bare leads	
	950 – RGBW (White 5000K)		8 – White 10' with bare leads		

Order Code Example

1316143-1-CC-270-30-1-DMM

Breakdown: OmniBlade™ 6 mm – sized 11" horizontal by 24" vertical – 1 pc – Rectangular – Single Face Illumination – LED located along 2 long edges – Color Temperature 3500K Static White – Voltage is 12V DC – Wattage is low 2.4W/ft – Exit location is at the upper left Vertical corner – Exit type is notched – Connector is 5' long, white cable with DC Jack – Diffuser is PMS Matching – Mounting is with Mounting Brackets.

Applications

