

## Installation instructions

# Autosmart

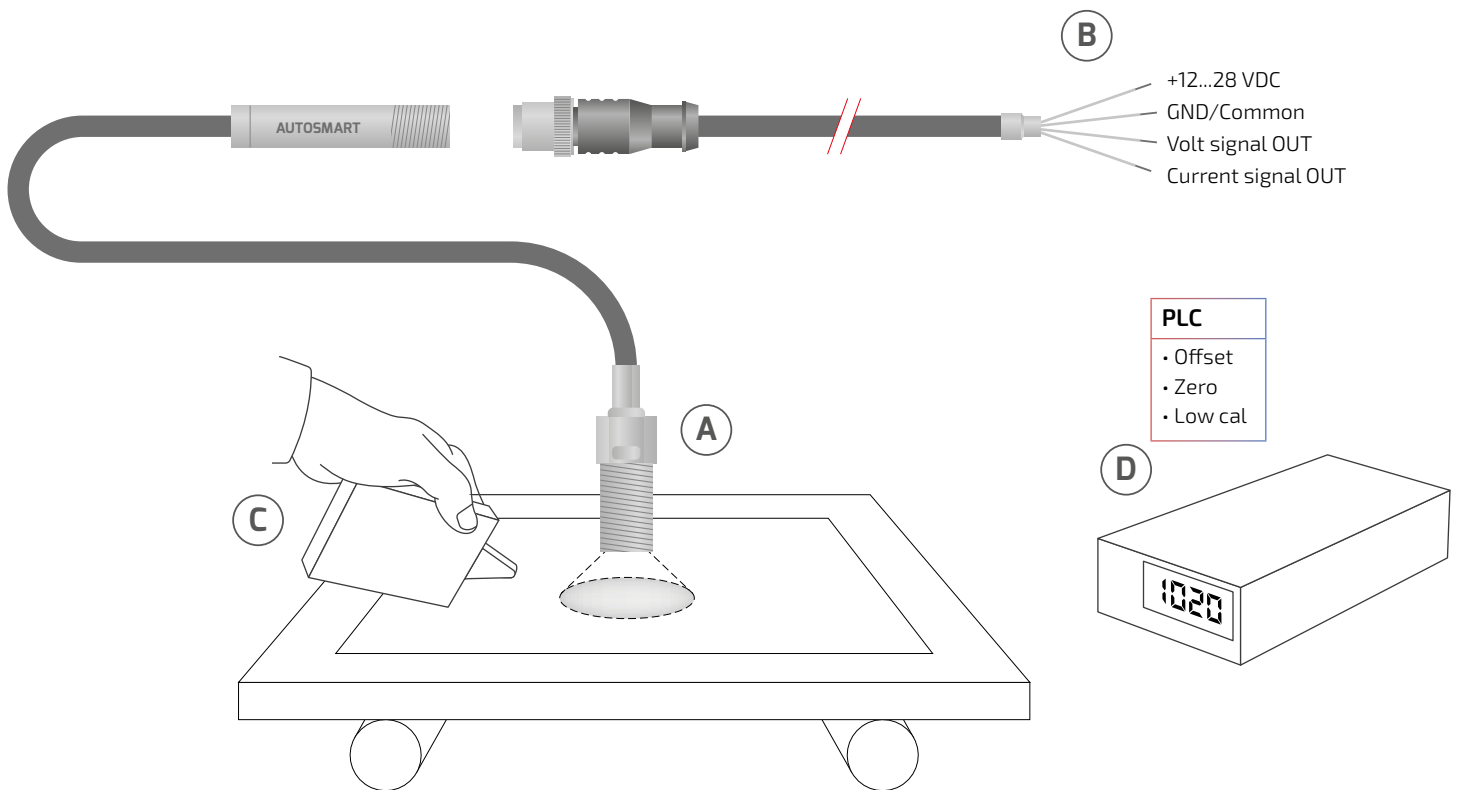


### The following procedure is recommended:

- A. Install the AutoSmartIRt/c as close as practical to view the target material to be measured.
- B. Wire the AutoSmartIRt/c to the controller, PLC, etc. in standard fashion (see PINOUT and WIRING DIAGRAM)
- C. Bring the process up to normal operating temperature and measure the actual temperature of the target material with the Microscanner D-Series, Infrared Thermometer or any other reliable reference.
- D. If using a PID controller: adjust "input offset," "zero," "low cal," on the readout device to match the reading of your reference.
- E. Installation Complete. (For OEM installations preset the same adjustments. Individual calibration is not required.)

### Wiring diagram

PINOUT		
Pin	Color	Function
1	Brown	+12...28 VDC
2	Blue	GND/Common
3	Black	Volt signal OUT
4	White	Current signal OUT



## Technical specifications

# Autosmart



### Temperature

Measuring range	0-100°C or 0-250°C standard Freely scalable between -35°C and 300°C
Accuracy (typical)	up to $\pm 0,3$ °C - depending on reference
Resolution	0.01°C
Nonlinearity	< 0,5 % (typical)
Hysteresis	$\pm 1\%$ total measuring range
Repeatability	$\pm 0.01\%$ °C
Response time	Approx. 250ms

### Input power

Supply voltage	28V max. DC regulated
Current consumption	< 30 mA
Reverse polarity protection	Yes

### Output power

Current output	4 ... 20mA / 0...20mA
Voltage output	0...10V / 0...5V, 0...2,5V / 0...1V

Connector: Female connector M12 4-pin A-coded

### Dimensions

