



CUSTOM PACKAGING





## TABLE OF CONTENTS

Premium Packaging	4
Product Table	5
Product Specifications	
CRP Drawer Box	6-7
CRP Tab Lock Box	8-9
CRP Cylinder Tube	10-11
Blister Card Package	12-13
CRP Triangle Box	14-15
CRP Cuboid Box	16-17
CRP Hexagon Box	19-20
CRP Back Button Box	21-22
CRP Tin Box	23-24

## S10 LABS PREMIUM PACKAGING

S10 Labs is dedicated to reinventing hardware standards for the cannabis industry. We are founded upon the mission to advance the industry through our expertise in material science and our relentless pursuit for quality. Dedicated to reinventing hardware standards for the cannabis industry, we are founded upon the mission to advance the industry through our expertise in material science and our relentless pursuit for quality.

S10 Labs is a subdivision of a globally renowned organization that has worked with brands around the world, providing them with resources and vaporization hardware that is reliable, innovative, and best in class.

Beyond technical prowess, S10 Labs is truly the first of its kind operation to reimagine what it means to be a vertical-ly-integrated manufacturer across the value chain because we believe our partners should enjoy a simple stream-lined experience to help them expand their industry footprint.





### UNRIVALED SECURE CRP PACKAGING

Child resistance packaging designed to prevent children from accidentally ingesting products. In compliance with ASTM approval and 16CFR 1700.20 child resistance standards.



### DURABILITY

Shockproof packaging protection. Complete with custom EVA foam or paper inner support and buckle insert to protect your product safely from manufacturer to distributor and into your customers hands.



### ECO-FRIENDLY

Custom packaging made from Eco-friendly materials cardboard and EVA foam. Ethylene-vinyl acetate foam, also known as poly, is the copolymer of ethylene and vinyl acetate



### PUSH BUTTON SOLUTION

Push button packaging solutions with EVA foam for cartridges and stem packaging

PRODUCT	IMAGE	CHILD RESISTANT FEATURE	OUTER MATERIAL	BASE INSERTS	MEASUREMENTS
CRP Drawer Box		CRP Button Release	White Paper Cardboard	EVA Foam	101x 36 x 27 mm (3.98x 1.42 x 1.062 in)
CRP Tab Lock Box		CRP Tab Lock	Paperboard	Paperboard Cutout	103 x 74 x 20 mm (4.05 x 2.91 x 1.062 in)
CRP Cylinder Tube		CRP Button Release	White Paper Cardboard	EVA Foam	D25 x H95 mm (D0.984 x H3.74 in)
Blister Card Package		None	PVC/PET with Cardboard Insert	Paperboard Cutout	58 x 89 mm (2.28 x 3.50 in)
CRP Triangle Box		CRP Button Release	White Paper Cardboard	EVA Foam	37 x 37 x 80 mm (1.46 x 1.46 x 3.15 in)
CRP Cuboid Box		CRP Button Release	White Paper Cardboard	EVA Foam	38 x 38 x 80 mm (1.50 x 1.50 x 3.15 in)
CRP Hexagon Box		CRP Button Release	White Paper Cardboard	EVA Foam	18.5 x 18.5 x 80 mm (0.73 x 0.73 x 3.15 in)
CRP Back Button Box		CRP Button Release	White Paper Cardboard	EVA Foam	88 x 55 x 20 mm (3.46 x 2.17 x 0.79 in)
CRP Tin Box		CRP Button Release	Tinplate	EVA Foam	80 x 57 x 15 mm (3.15 x 2.24 x 0.59 in)

# CRP DRAWER BOX



[CLICK FOR 3D VIEW](#)

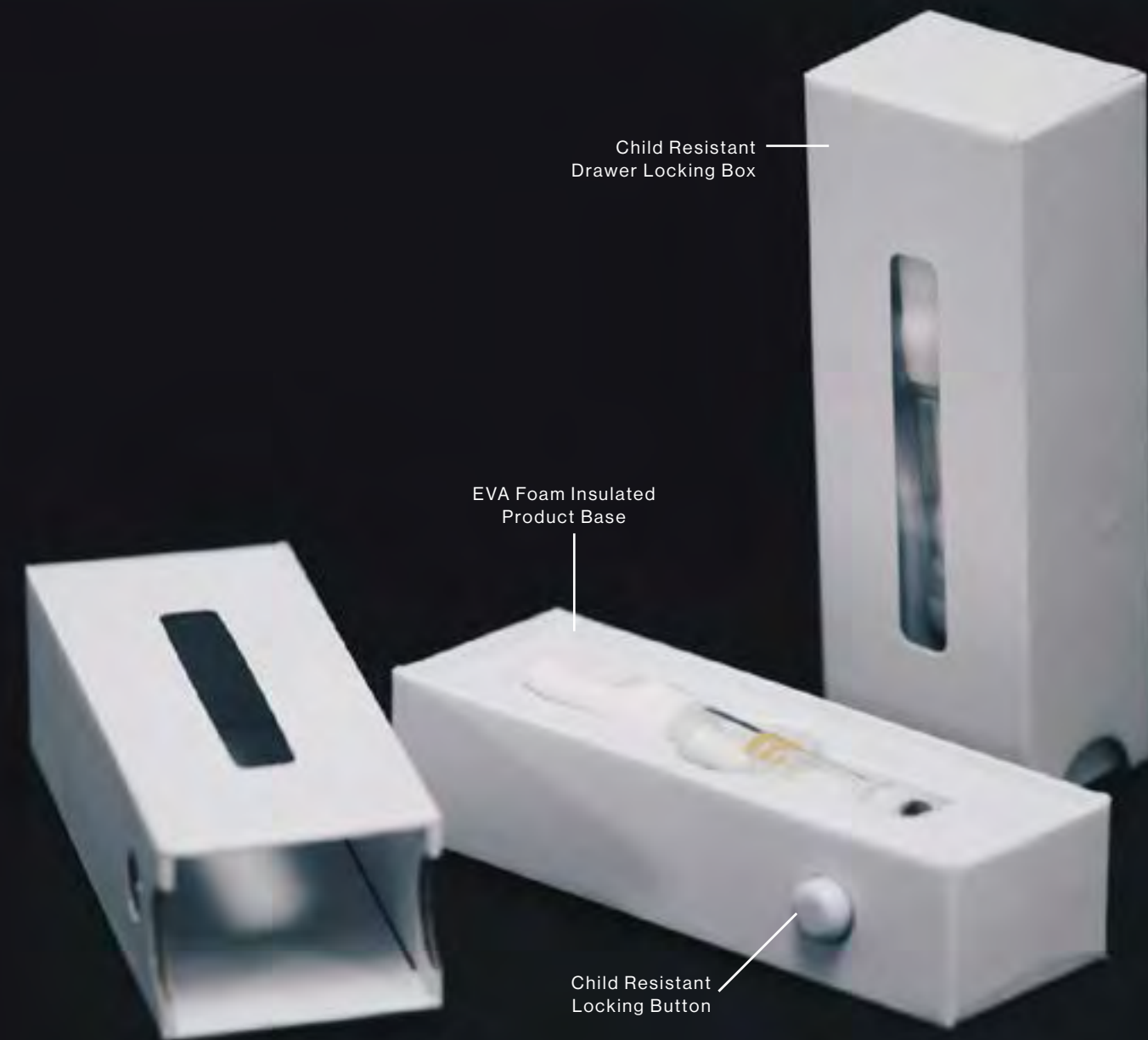
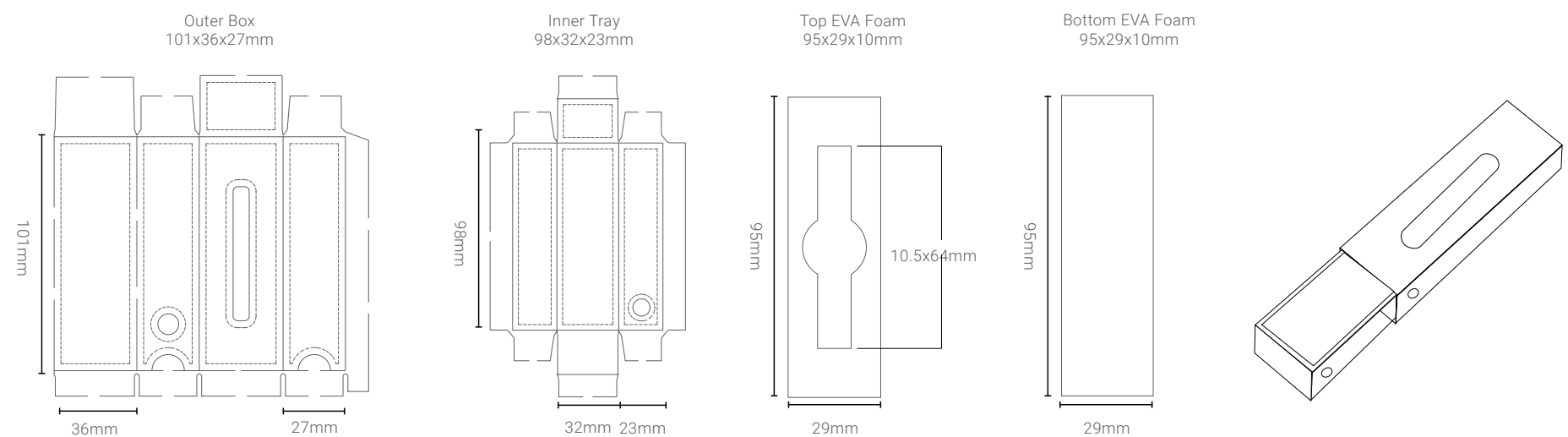
## DESCRIPTION

Child Resistant Drawer Box features a locking button, inside the bottom drawer is an EVA foam to secure your product. A custom mold is cut into the EVA foam based on the dimensions of your product. The easy-to-use button locking system allows for adult consumers to open while protecting children and animals from accidental consumption.

- Dimensions: 101 x 36 x 27 mm (3.98 x 1.42 x 1.062 in)
- Conventional drawer box with button lock release mechanism
- EVA inner support and buckle
- Fully customizable with your choice of graphics



## STANDARD PRINT AREA



# CRP TAB LOCK BOX



[CLICK FOR 3D VIEW](#)

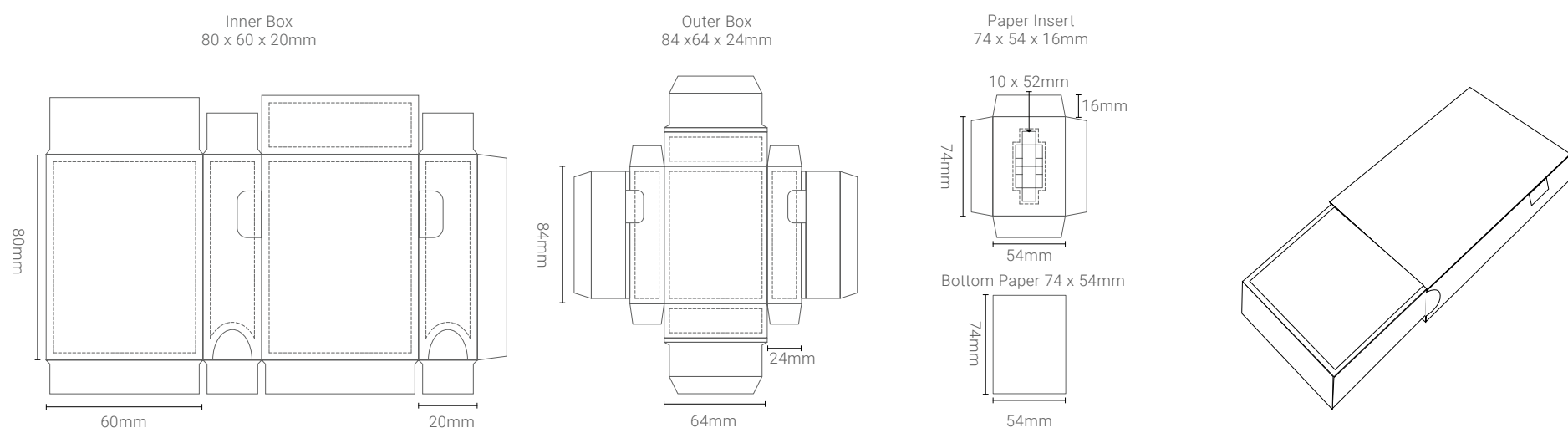
## DESCRIPTION

Child Resistant Tab Lock Box features a side wing lock drawer box, inside the bottom drawer is an EVA foam to secure your product. A custom mold is cut into the EVA foam based on the dimensions of your product. The easy-to-use side wing drawer locking system allows for adult consumers to open while protecting children and animals from accidental consumption.

- Dimensions: 103 x 74 x 20 mm (4.05 x 2.91 x 1.062 in)
- Cylinder with child lock
- EVA foam inner support and buckle.
- Fully customizable with your choice of graphics



## STANDARD PRINT AREA



# CRP CYLINDER TUBE



▶ [CLICK FOR 3D VIEW](#)

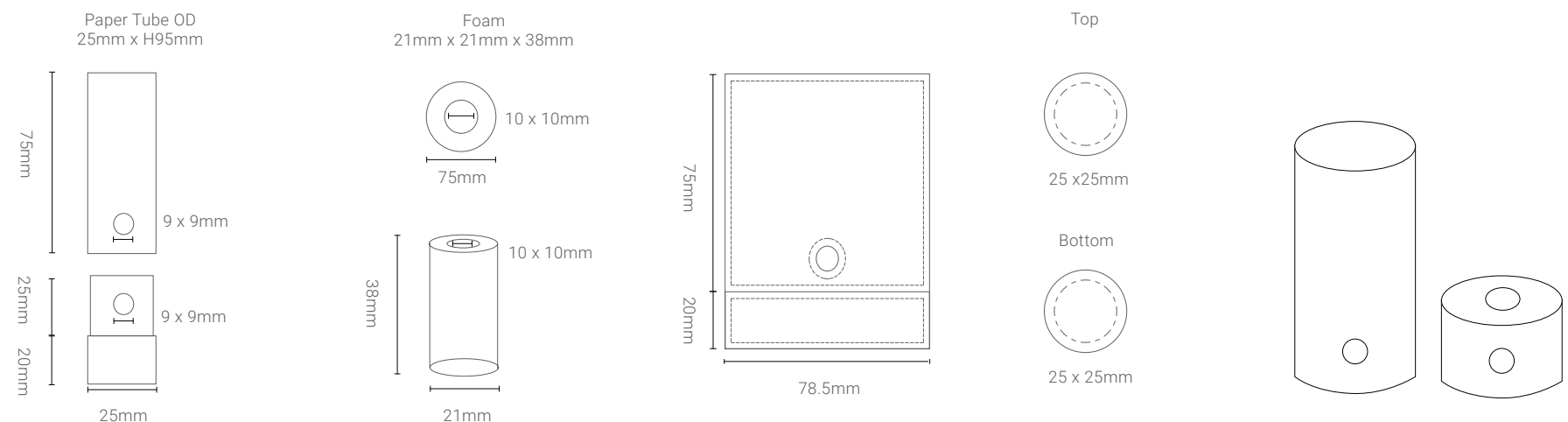
## DESCRIPTION

Child Resistant Cylinder Tube packaging features a locking button, inside the base is an EVA foam insert. A custom mold is cut into the EVA foam based on the diameter of your product. Your product stands firmly in the EVA foam. The easy-to-use button locking system allows for adult consumers to open while protecting children and animals from accidental consumption.

- Dimensions: D25 x H95 mm (D0.984 x H3.74 in)
- Cylinder Box with a button lock release mechanism
- EVA inner support and buckle
- Fully customizable with your choice of graphics



## STANDARD PRINT AREA



# BLISTER CARD PACKAGE



CLICK FOR 3D VIEW

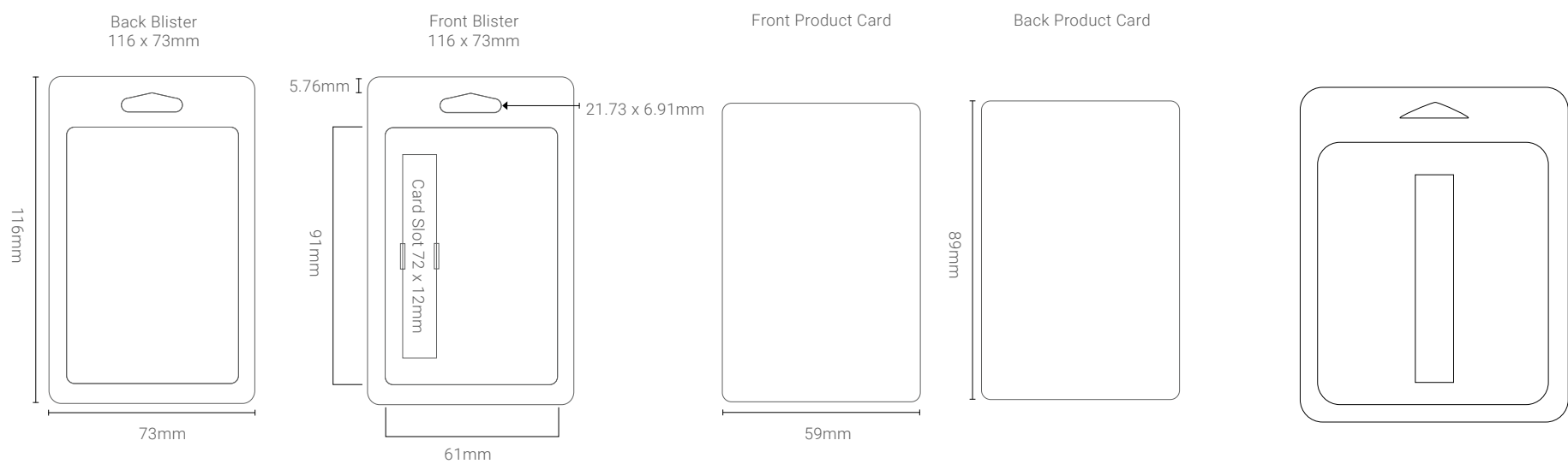
## DESCRIPTION

Hangable Clamshell Blister package features crystal clear and recyclable package showcases your product with a fully customizable product insert card. A custom mold is formed into the blister package based on the diameter of your product. Edges are heat sealed which allows for adult consumers to open while protecting children and animals accidental consumption.

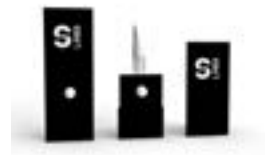
- Dimensions: 58 x 89 mm (2.28 x 3.50 in)
- PVC/PET Clamshell Blister package
- Cardboard product insert card
- Fully customizable with your choice of graphics



## STANDARD PRINT AREA



# CRP TRIANGLE BOX



CLICK FOR 3D VIEW

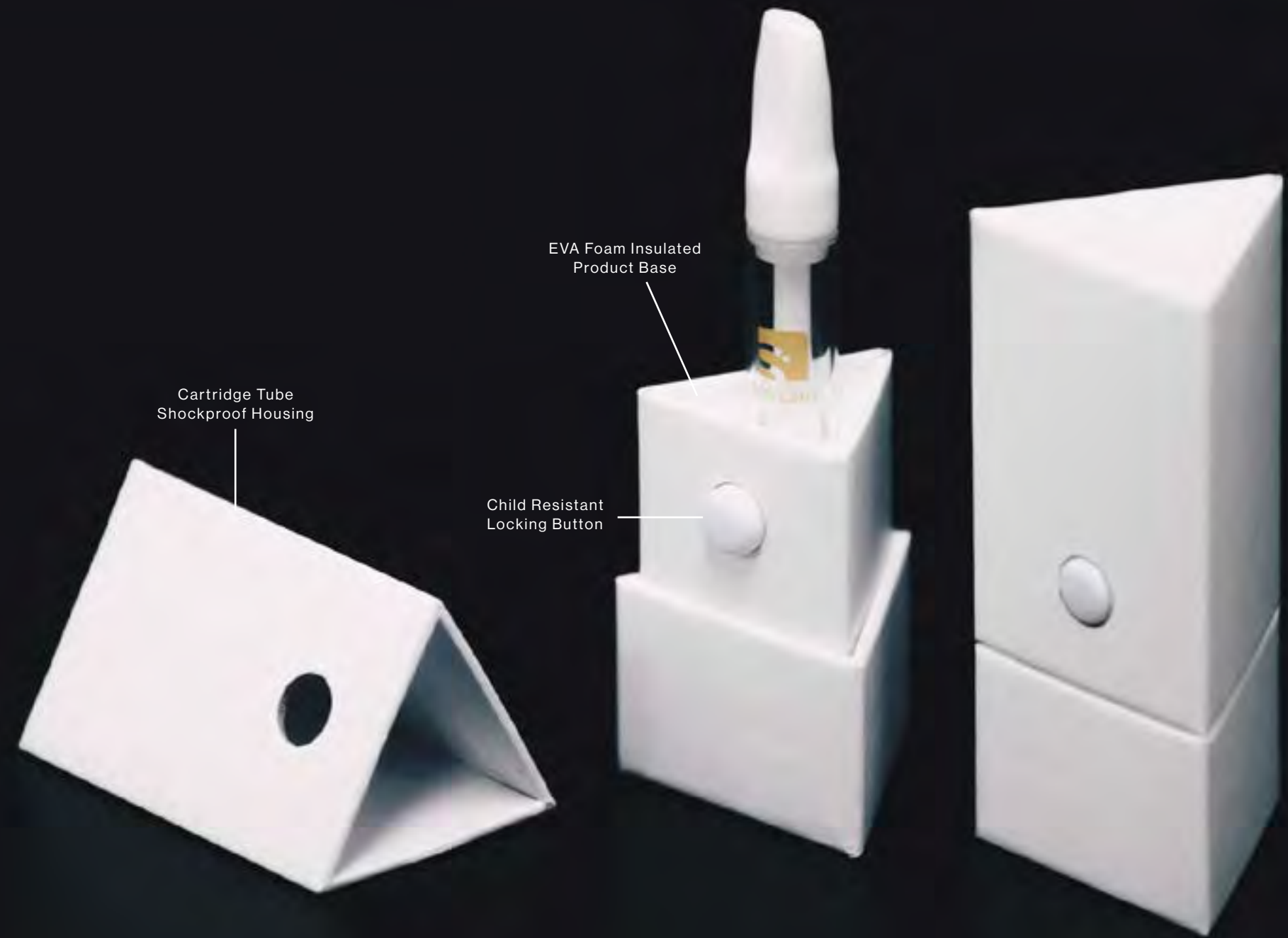
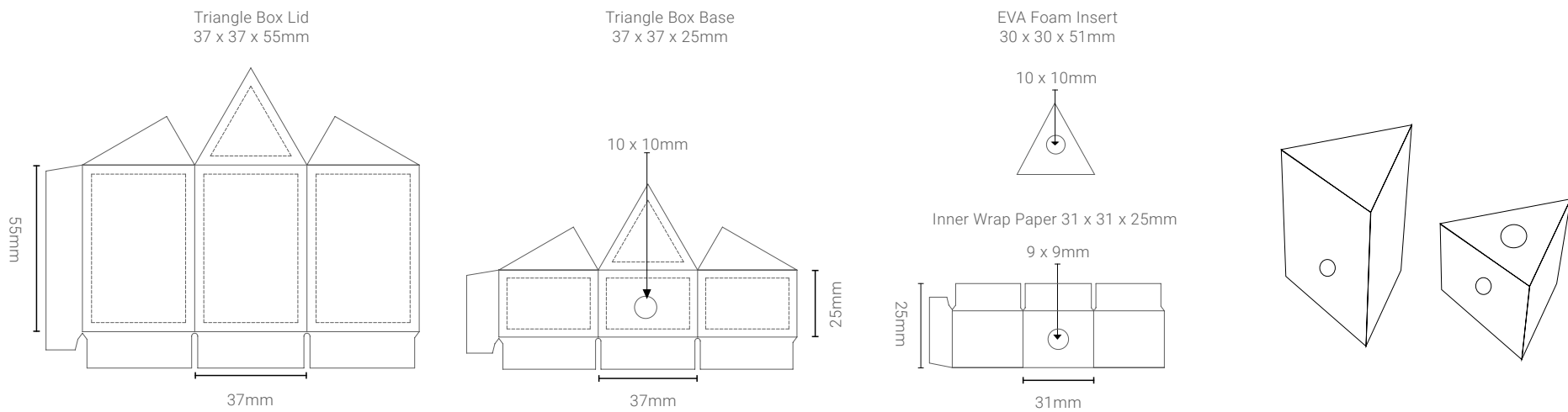
## DESCRIPTION

Child Resistant Triangle Box packaging features a locking button, inside the base is an EVA foam insert. A custom mold is cut into the EVA foam based on the diameter of your product. Your product stands firmly in the EVA foam. The easy-to-use button locking system allows for adult consumers to open while protecting children and animals from accidental consumption.

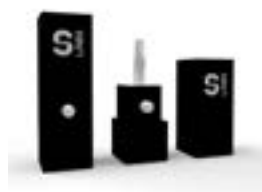
- Dimensions: 37 x 37 x 80 mm (1.46 x 1.46 x 3.15 in)
- Triangle Box with button lock release mechanism
- EVA inner support and buckle
- Fully customizable with your choice of graphics



## STANDARD PRINT AREA



# CRP CUBOID BOX



CLICK FOR 3D VIEW

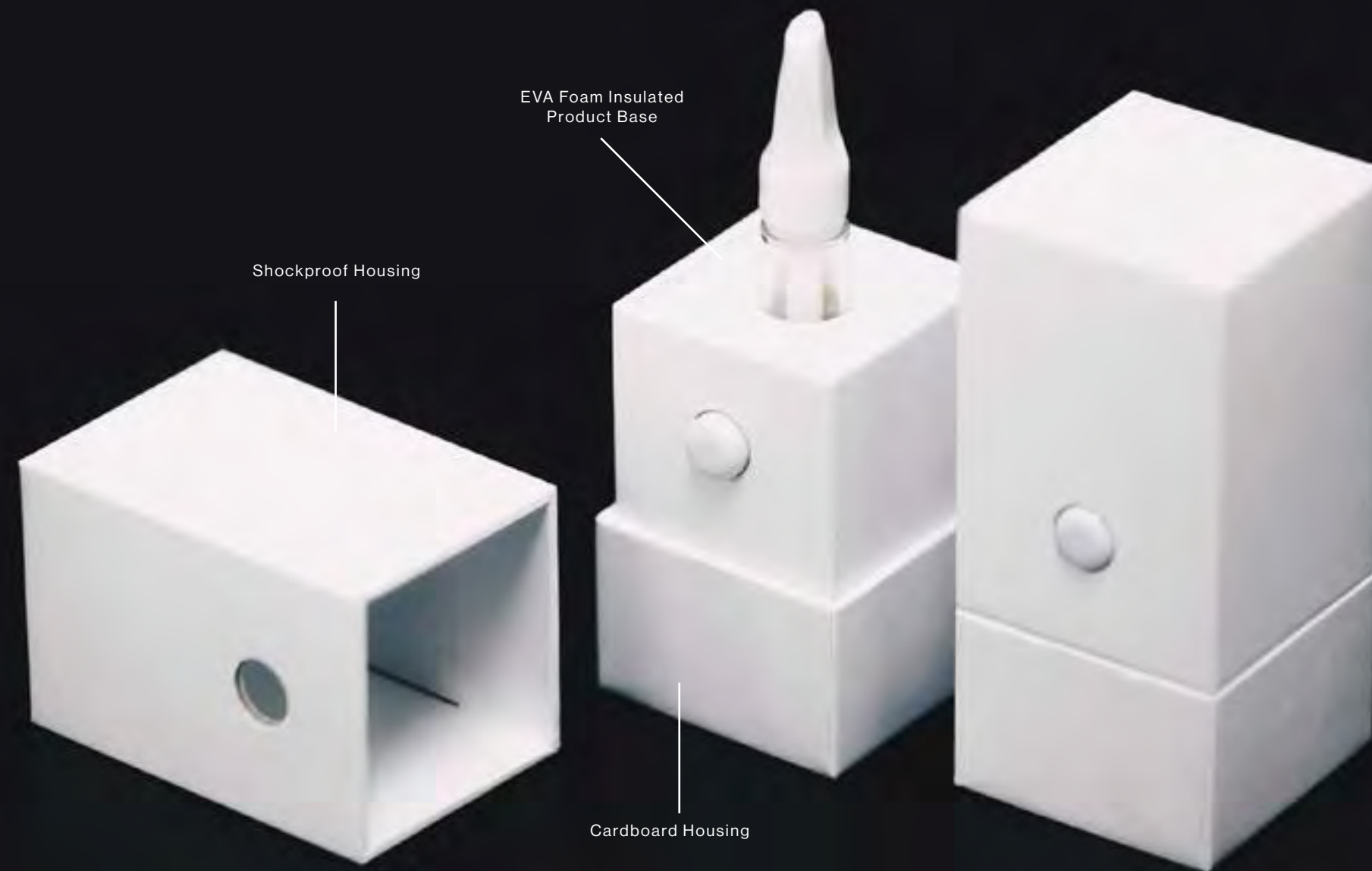
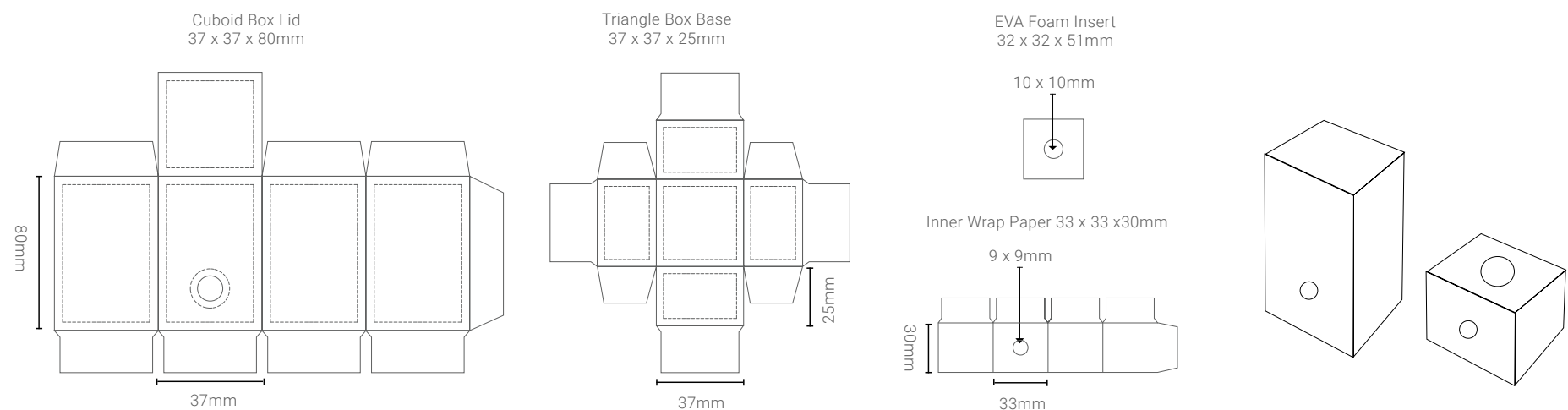
## DESCRIPTION

Child Resistant Cuboid Box packaging features a locking button, inside the base is an EVA foam insert. A custom mold is cut into the EVA foam based on the diameter of your product. Your product stands firmly in the EVA foam. The easy-to-use button locking system allows for adult consumers to open while protecting children and animals from accidental consumption.

- Dimensions: 38 x 38 x 80 mm (1.50 x 1.50 x 3.15 in)
- Cuboid Box with button lock release mechanism
- EVA inner support and buckle
- Fully customizable with your choice of graphics



## STANDARD PRINT AREA



# CRP HEXAGON BOX



CLICK FOR 3D VIEW

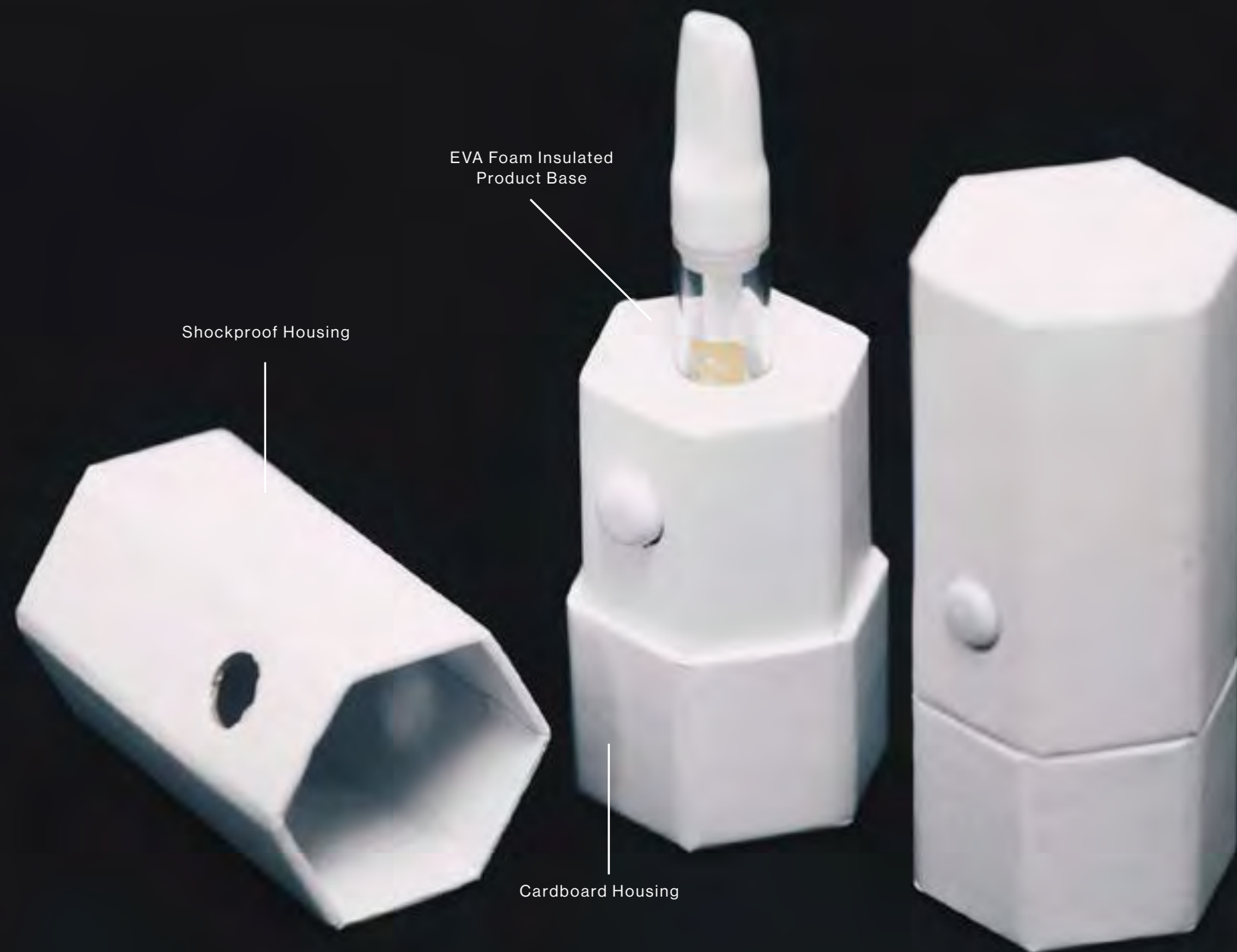
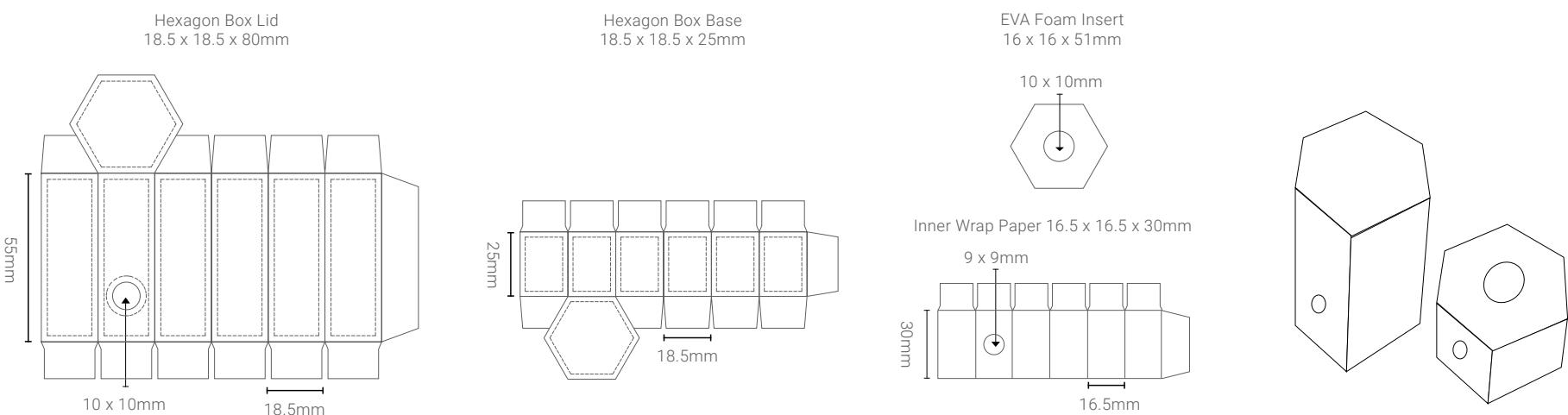
## DESCRIPTION

Child Resistant Hexagon Box packaging features a locking button, inside the top cover is an EVA foam insert. A custom mold is cut into the EVA foam based on the diameter of your product. Your product stands firmly in the EVA foam. The easy-to-use button locking system allows for adult consumers to open while protecting children and animals from accidental consumption.

- Dimensions: 18.5 x 18.5 x 80 mm (0.73 x 0.73 x 3.15 in)
- Hexagon Box with button lock release mechanism
- EVA inner support and buckle
- Fully customizable with your choice of graphics



## STANDARD PRINT AREA



# CRP BACK BUTTON BOX



CLICK FOR 3D VIEW

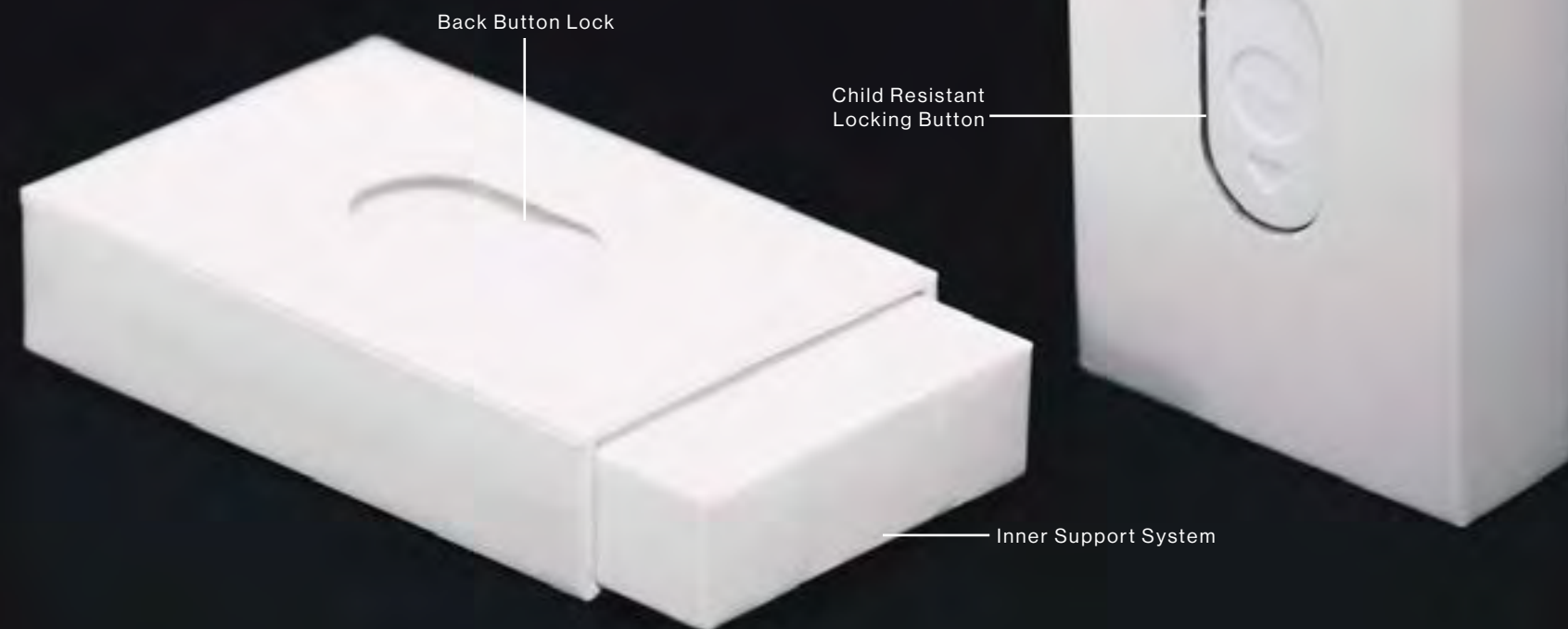
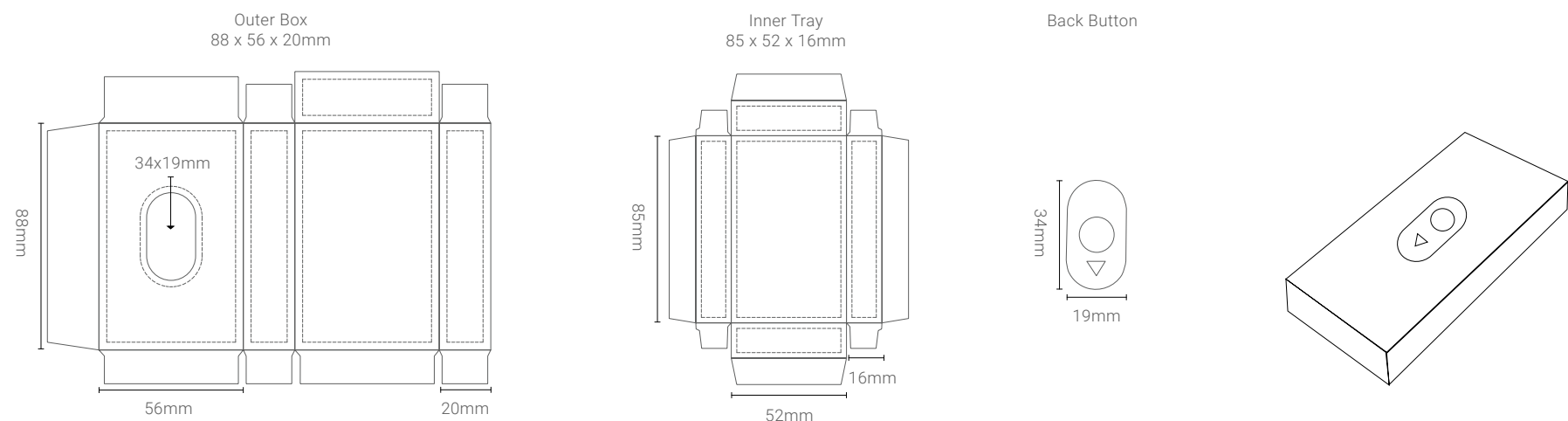
## DESCRIPTION

Child Resistant Back Buckle Box packaging features a locking button. Inside the base is an EVA foam insert or paper inner support. A custom mold is cut into the your choice of inner support based on the diameter of your product. The easy-to-use button locking system allows for adult consumers to open while protecting children and animals accidental consumption.

- Dimensions: 88 x 55 x 20 mm (3.46 x 2.17 x 0.79 in)
- Push back button with child lock
- EVA foam or paper inner support and buckle
- Fully customizable with your choice of graphics



## STANDARD PRINT AREA



# CRP TIN BOX



CLICK FOR 3D VIEW

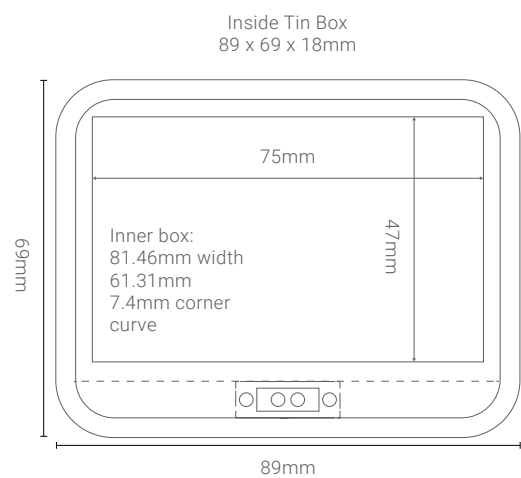
## DESCRIPTION

Child Resistant Tin Box packaging features synchronously press locking buttons. Inside the base is an EVA foam insert or paper inner support. A custom mold is cut into the your choice of inner support based on the diameter of your product. The easy-to-use button locking system allows for adult consumers to open while protecting children and animals accidental consumption.

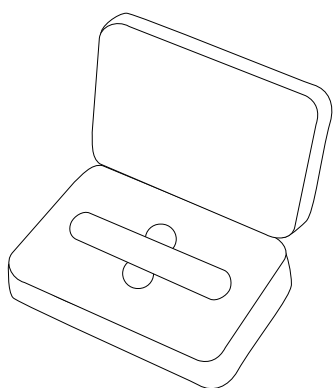
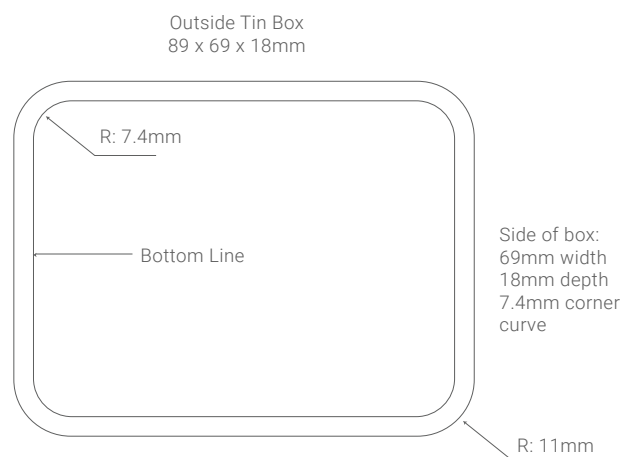
- Dimensions: 80 x 57 x 15 mm (3.15 x 2.24 x 0.59 in)
- Push buttons with child locks
- EVA foam or paper inner support and buckle
- Fully customizable with your choice of graphics



## STANDARD PRINT AREA



Outer box:  
89mm width  
69mm height  
11mm corner curve





T H A N K - Y O U