

Zirco™ Cartridge

PRICING & CUSTOMIZATION GUIDE

ZIRCO CARTRIDGE

The Zirco cartridge is the world's premier zirconia ceramic cartridge. Utilizing our proprietary Medical Zirconia Ceramic Technology (MZCT), our team at S10 Labs has founded the new standard in vaporization hardware. With a focus on precision manufacturing, the MZCT™ heating core delivers incomparable efficacy, flavor, and performance.

UNRIVALED THERMAL PROPERTIES

Avoid over-burning and common issues such as micro fracturing or heavy metal corrosion.

ROBUST DURABILITY

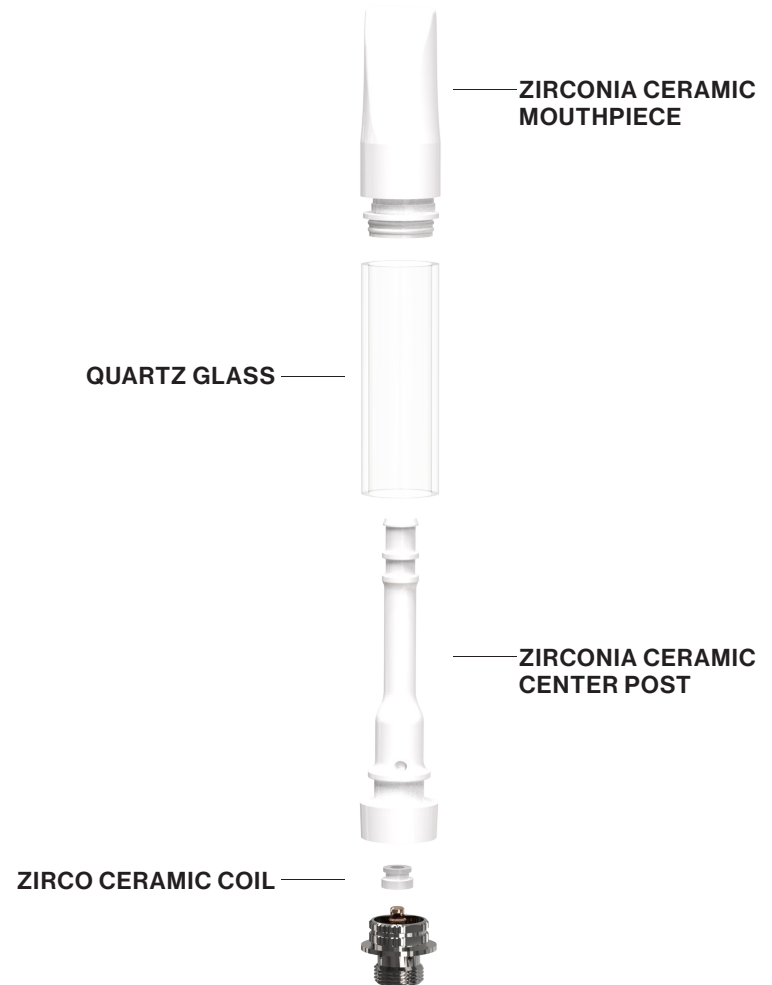
Sidestep any chance of chipping or shattering while maintaining a tighter seal to avoid any unwanted leakage.

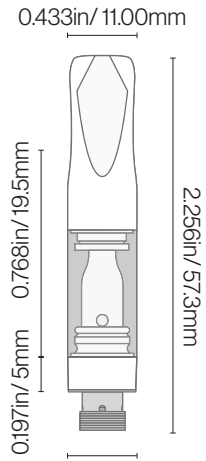
POROUS NATURE

Maintain all the true natural flavors of your extracts without compromise.

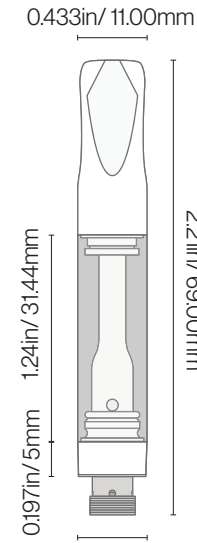
OPTIMAL TESTING

Avoid leaching toxins overtime as our cartridges are fully resistant to oxidation and chemical corrosion. In short, steer clear of any chance of failing testing.





ZIRCO 0.5ml Cartridge



ZIRCO 1.0ml Cartridge

PRODUCT	Center Post	Tank Material	Coil	Aperture
Zirco 1.0ml Cartridge	Zirconia Ceramic	Quartz Glass	Zirco Ceramic Coil	3x1.8 or 3x2.0 mm
Zirco 0.5ml Cartridge	Zirconia Ceramic	Quartz Glass	Zirco Ceramic Coil	3x1.8 or 3x2.0 mm

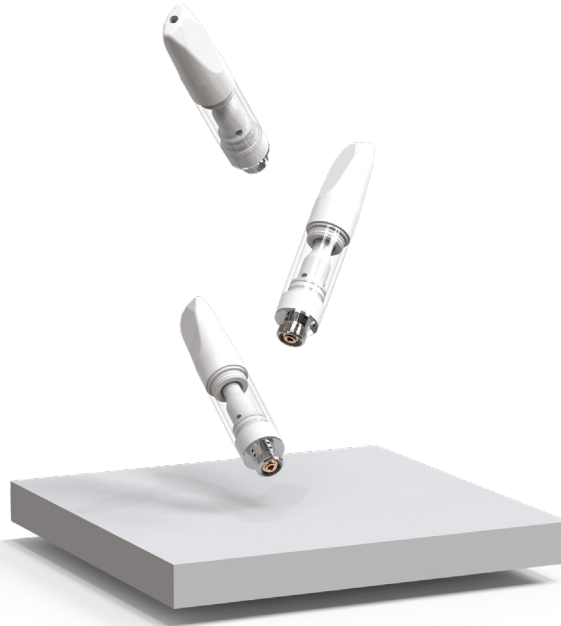
Zirco™

World's First Zirconia Ceramic Cartridge



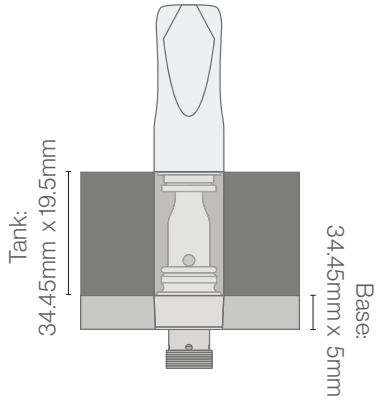
PRICING

ZIRCO CARTRIDGE-

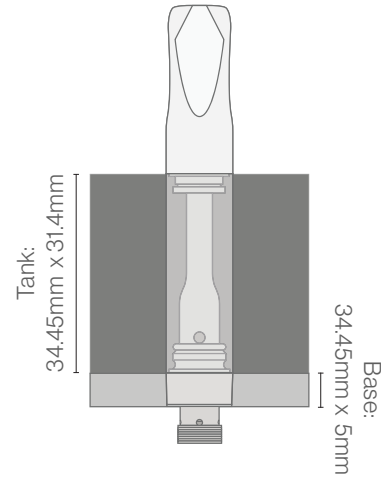


PRODUCT	1,000-4,999	5,000-9,999	10,000-49,999	50,000-99,999	100,000+
Zirco 1.0ml Cartridge	\$2.00	\$1.95	\$1.85	\$1.77	Contact Us
Zirco 0.5ml Cartridge	\$2.00	\$1.95	\$1.85	\$1.77	Contact Us

Details: Prices subjected to change on a month by month basis



Zirco 0.5ml Cartridge



Zirco 1.0ml Cartridge

CUSTOMIZATION	Per Unit	Notes
Bottom Collar Print	\$0.08	
Tube Print	\$0.08	
510 Thread Color Option	\$0.10	Titanium Gold

Oil Inlet Customization

Contact Us

*Details: MOQ for Customization is 5,000 units
Lead Time: 1-2 weeks*





Thank You!