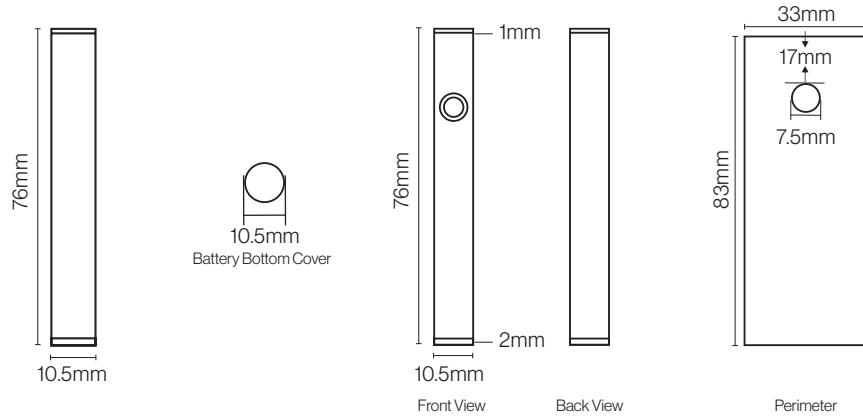




Batteries

PRICING & CUSTOMIZATION GUIDE



Draw Activated Battery

Push Button Battery

PRODUCT	Voltage	Capacity	Material	Lighting	Charger
Draw Activated Battery	3.3V - 4.2V	320mAh	Stainless Steel	White - Red	Micro USB
Push Button Battery	3.3V - 4.2V	320mAh	Stainless Steel	Green - Blue - Red	Micro USB



PRODUCT	1,000-4,999	5,000-9,999	10,000-49,999	50,000-99,999	100,000+
Draw Activated Battery	\$3.30	\$3.00	\$2.80	\$2.65	Contact Us
Push Button Battery	\$3.99	\$3.75	\$3.50	\$3.30	Contact Us

*Details: All prices are shown before additional 15% tariff surcharge.
Prices subjected to change on a month to month basis.*

CUSTOMIZATION	Per Unit	Notes
Logo	\$0.12	Silkscreen, Per Color
Full Wrap	\$0.25	Silkscreen, Per Color

*Details: MOQ for Customization is 5,000 units
Lead Time: 1-2 weeks*





Thank You!