



BelAire[®]
DESIGNER FENCING AND BALUSTRADES

ASPIRING CHANNEL



Channel Details

The Aspiring Channel provides a clean, seamless infinity-edge glass finish with a strong aluminium design and easy clip-on cap. It suits residential and commercial use and installs easily.

It works with Top Mount, Side Mount, and Cast-In setups, and adjustable wedges make glass alignment simple.

Available in satin anodised or custom powder coated finishes and in 2500mm or 5000mm lengths for long, tidy runs.

Strong, simple, modern, ideal for achieving an infinity-glass look.

KEY FEATURES

Glass Size - 12-13.52mm

Channel Lengths - 2500 & 5000mm

Finishes - Satin anodised & Custom

Mounting - Top, Side or Cast In mount options

Application: Residential & Commercial

Fixings

Timber Order Code: SCETCSKAS

Concrete Order Code: SCECHSA-K

*Includes channel, powder coated inner and outer covers, plastic insert, pressure plate, grub screws, hanger brackets and mounting screws.

Top Mount/ Cast in Components:

Anodised Channel: SCEASBMCH5 /
SCEASBMCH2.5

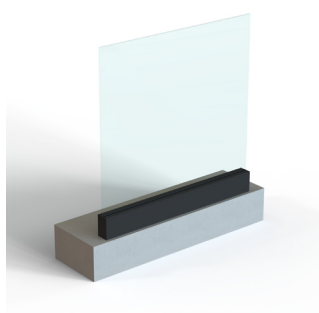
Powder Coated Channel: SCEASBMCH5PC
/ SCEASBMCH2.5PC

Side Mount Components:

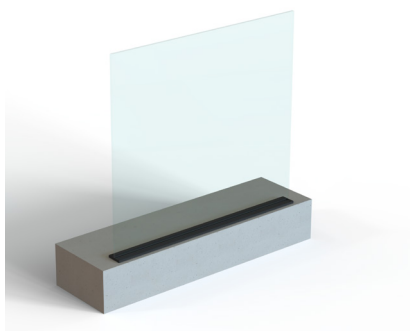
Anodised Channel: SCEASSCH5 /
SCEASSCH2.5

Powder Coated Channel: SCEASSCH5PC /
SCEASSCH2.5PC

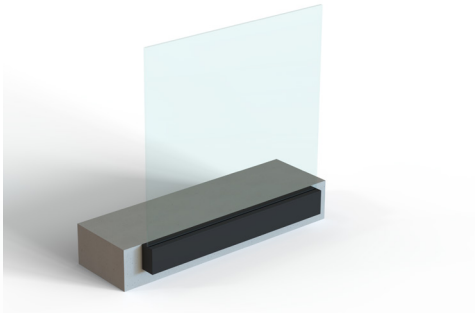
Top Mount



Cast In

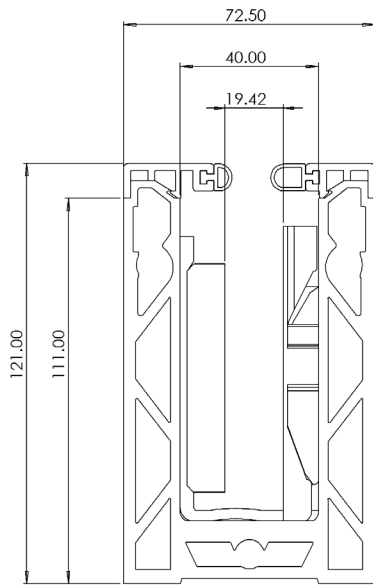


Side Mount

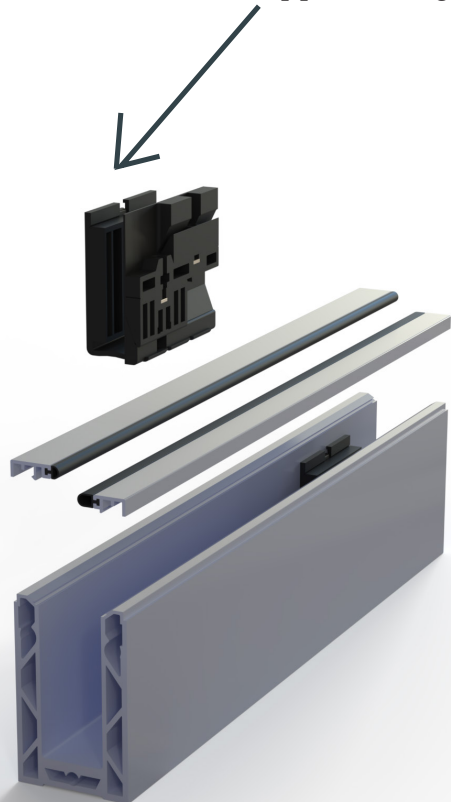




Angle Adjustment



Glass Support Wedge



Top and side mount options available



For more information, call us to speak to our friendly team:

0800 BELAIRE (0800 235 2473)

BelAire Designer Fencing and Balustrades

2 Waitane Place, Onekawa, Napier 4110

Email: info@belairefencing.co.nz · **Website:** www.belairefencing.co.nz



BelAire[®]
DESIGNER FENCING AND BALUSTRADES

