

DAVIS®

Tote Price List

Designed by Sebastian Herkner

Effective January 1, 2026



TOTE Series

Specifications	2
Images	3
Veneer Finishes/Acrylic	4
FENIX®	5
Powder Coat Finishes	6
Dimensions	7
TE-1000	8
TE-1005-L / TE-1005-R	8
TE-1010	9
TE-1015-L / TE-1015-R	9



FEATURES

- Base**
- **Stationary Base** – Standard with plastic adjustable glides. Optional adjustable felt glides **TE-Felt** are available. Must specify at time of order.
 - **Caster Base** – Standard with hard casters. Optional soft casters **TE-SOCA** are available. Must specify at time of order.

Frame
Multi Density foam over a plywood frame construction

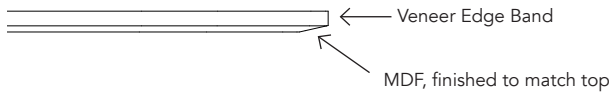
Handle
Stamped leather handle offered in black or brown. Does not come standard on the glide base version.

Upholstery
Chairs specified in leather and most fabrics will have a double needle stitch down the middle of the interior back of chair. See page 3 for a detail image.
Davis Fabric and Leather Program COM/COL
If you are supplying the COM/COL, submit a sample before ordering for approval.
All graded in and COM/COL must be approved for use on Tote by the Davis factory.

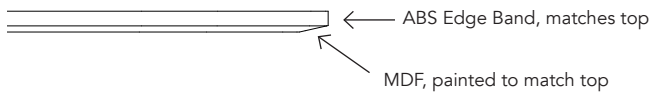
Tablet
Optional pivoting right or left handed tablet. Available Left Handed Tablet (**TE-Tablet-L**) or Right Handed Tablet (**TE-Tablet-R**)
MDF core with veneer, FENIX® or laminate top surface
Standard Laminate Tops:
Solid Color laminates - all have matching ABS edge bands.
Wood Grain laminates - *Natural Ash, Nut Brown Cherry, Finnish Oak, and Formal Walnut* have matching ABS edge bands. All other wood grain laminates will be a self edge
All FENIX® tops are edge banded with a matching ABS edge band
Acrylic tops are solid 10mm thick - offered in white only.

Edge Detail

Veneer Top



FENIX® Top - Beige Arizona, Blu Fes, Blu Shaba, Cacao Orinoco, Grigio Antrim, Grigio Bromo, Grigio Londra, Rosso Jaipur, Verde Comodoro and Verde Kitami



FENIX® 12mm Solid Core Top - Bianco Kos, Grigio Efeso, and Nero Ingo



Standard Laminate Top



Acrylic Top





Back Detail



Caster Base Back Detail
Standard with Pull Handle



Glide Base Back



Back Seam Detail
- on all leather chairs and most fabrics

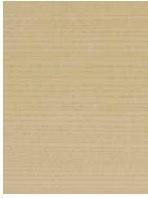
Tablet



Ash Veneer



30 Vanilla Ash



31 Natural Ash



32 Sand Ash



33 Toasted Ash

Oak Veneer



10 Alabaster
White Oak



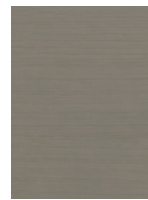
11 Light Oak



12 Golden
Oak



13 Harvest
Oak



14 Slate Oak

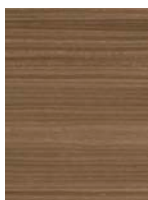


15 Mineral Grey
Oak

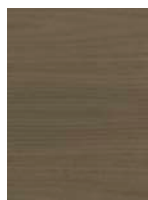


16 Dark Oak

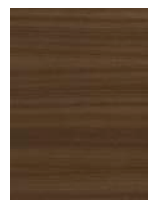
Walnut Veneer



20 Clear
Walnut



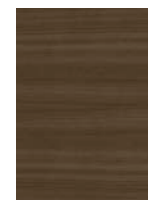
21 Light Grey
Walnut



22 Classic
Walnut

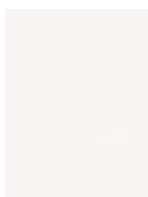


23 Mocha
Walnut



24 Midnight
Walnut

Acrylic



White

FENIX® Innovative Materials



Bianco Kos Grigio Efeso Grigio Antrim Grigio Bromo Beige Arizona Grigio Londra Cacao Orinoco Rosso Jaipur



Blu Shaba Blu Fes Verde Kitami Verde Comodoro Nero Ingo

All Fenix have ABS Edgebands to match top.

Standard Laminates

Solids



Brite White* 459-58 Classic White* 9244-58 Folkstone* 927-58 Mouse* 928-58 Storm* 912-58 Platinum* 902-58 Citadel* 1097-58 Black* 909-58

Woodgrains



White Ash++ 8841-26 Buff Elm++ 5793-26 Ashwood Beige++ 5785-26 Silver Riftwood++ 6413-26 Natural Ash* 8843-26 Finnish Oak* 118-26 Formal Walnut* 5782-26 Nut Brown Cherry* 5790-26



Graphite Elm++ 5796-26

*All Laminates with * have ABS Edgebands to match top.*

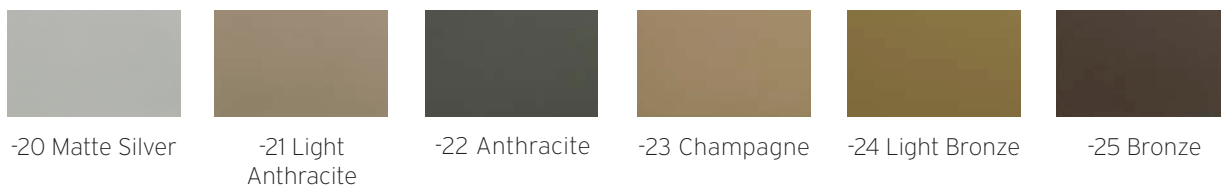
All Laminates with ++ are Self Edge to match top.

Powder Coats

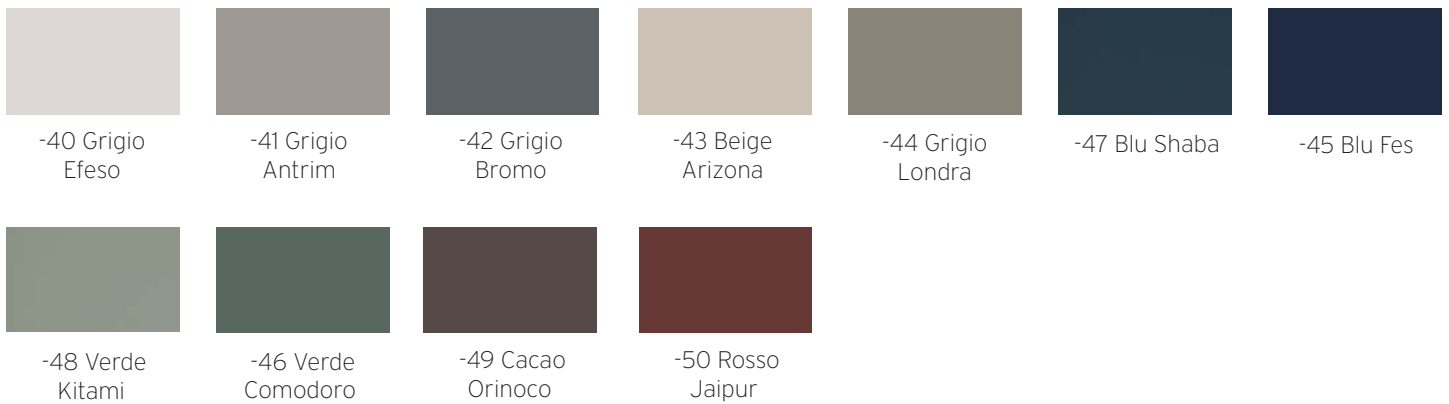
Neutral Powder Coats



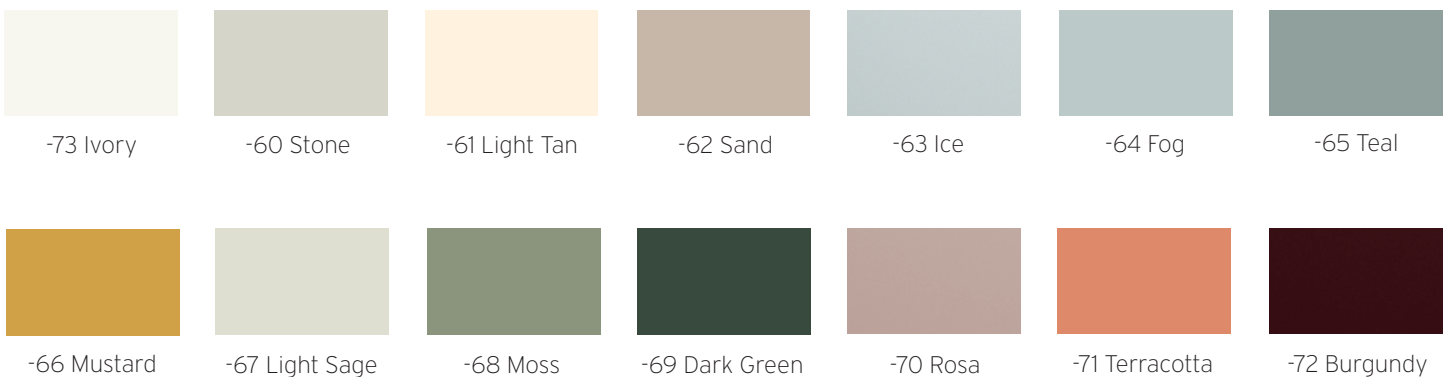
Pearl Powder Coats



Fenix Powder Coats - *color matched to FENIX®*

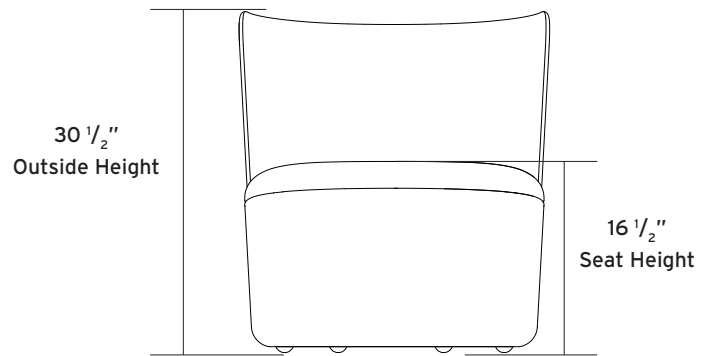
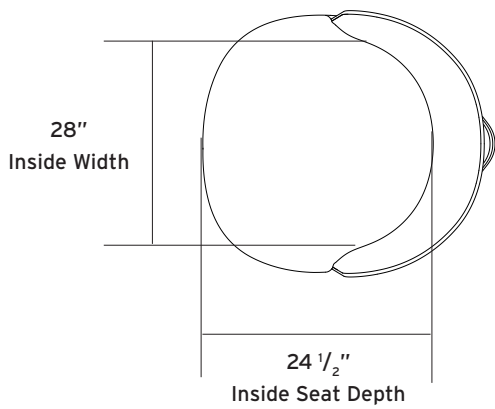


Color Trend Powder Coats



Tote

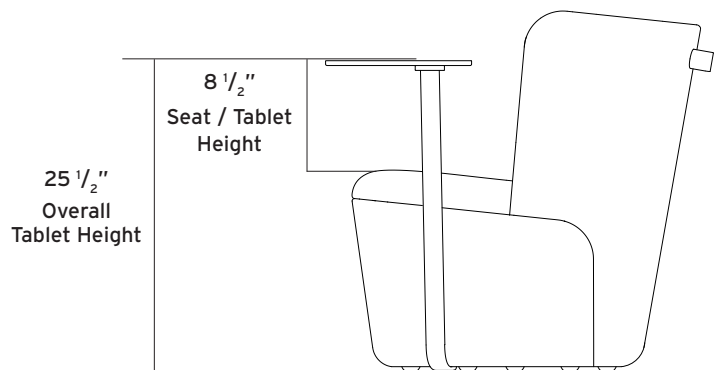
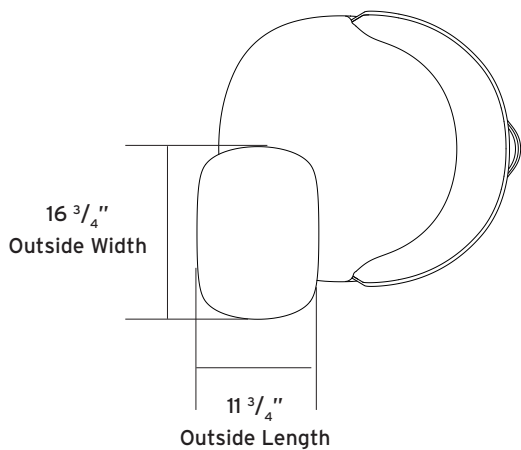
Dimensions	w	d	h
Outside	38 1/2	36	30 1/2
Inside	28	24 1/2	
Seat Height			16 1/2



Tote Tablet

Dimensions	w	l	h
Outside	16 3/4	11 3/4	
Tablet Height			25 1/2

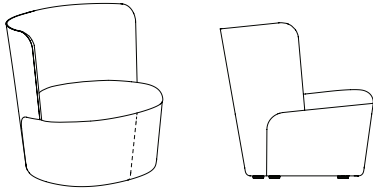
*Dimension between the seat and top of tablet is 8 1/2"



TOTE Series

Example: item number TE-1000 = TE-1000

Item	Description	Yardage / Square Feet	Shipping Weight
TE-1000	Fully Upholstered Stationary Base	3 1/2 yds. / 63 sq. ft.	60 lbs.

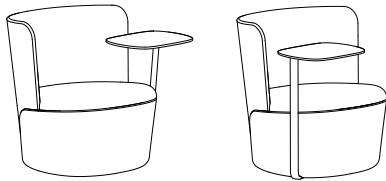


NOTE: Does not come with a pull handle / See page 7 for all dimensions

List Price
Grades
COM/COL

COM/COL	A	B	C	D	E	F	G	H	I	J	K	L
2893	2988	3083	3178	3273	3368	3463	3558	3653	3748	3843	3938	4033

Item	Description	Yardage / Square Feet	Shipping Weight
TE-1005-L TE-1005-R	Fully Upholstered Stationary Base with Tablet	3 1/2 yds. / 63 sq. ft.	60 lbs.



Left

Right

NOTE: Does not come with a pull handle / See page 7 for all dimensions

When ordering rotating tablet you must specify a powder coat for the Tablet Arm

List Price
Grades
COM/COL

	COM/COL	A	B	C	D	E	F	G	H	I	J	K	L
-AA Ash	3790	3885	3980	4075	4170	4265	4360	4455	4550	4645	4740	4835	4930
-OA Oak	3790	3885	3980	4075	4170	4265	4360	4455	4550	4645	4740	4835	4930
-WW Walnut	3795	3890	3985	4080	4175	4270	4365	4460	4555	4650	4745	4840	4935
-LAM Laminate	3765	3860	3955	4050	4145	4240	4335	4430	4525	4620	4715	4810	4905
-FX Fenix	3824	3919	4014	4109	4204	4299	4394	4489	4584	4679	4774	4869	4964
-AY Acrylic	3828	3923	4018	4113	4208	4303	4398	4493	4588	4683	4778	4873	4968

Required to Specify

Fabrics or Leather : Ensure graded in material or COM/COL is approved for use on Tote by contacting Davis

Metal Finishes : See **page 6** for all standard powder coats. *Only required for TE-1005-L / TE-1005-R*

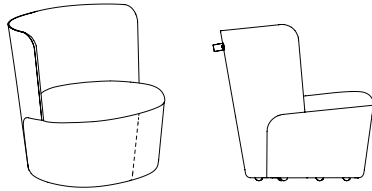
Options (specify only if preferred)

Glides: TE-Felt felt glides – No charge at time of order

TOTE Series

Example: item number TE-1010 = TE-1010

Item	Description	Yardage / Square Feet	Shipping Weight
TE-1010	Fully Upholstered Caster Base	3 1/2 yds. / 63 sq. ft.	60 lbs.

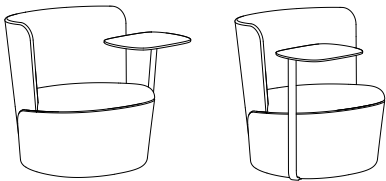


NOTE: See page 7 for all dimensions

List Price
Grades
COM/COL

COM/COL	A	B	C	D	E	F	G	H	I	J	K	L
3106	3201	3296	3391	3486	3581	3676	3771	3866	3961	4056	4151	4246

Item	Description	Yardage / Square Feet	Shipping Weight
TE-1015-L TE-1015-R	Fully Upholstered Caster Base <i>with Tablet</i>	3 1/2 yds. / 63 sq. ft.	60 lbs.



NOTE: See page 7 for all dimensions

When ordering rotating tablet you must specify a powder coat for the Tablet Arm

Left

Right

List Price
Grades
COM/COL

	COM/COL	A	B	C	D	E	F	G	H	I	J	K	L
-AA Ash	4003	4098	4193	4288	4383	4478	4573	4668	4763	4858	4953	5048	5143
-OA Oak	4003	4098	4193	4288	4383	4478	4573	4668	4763	4858	4953	5048	5143
-WW Walnut	4008	4103	4198	4293	4388	4483	4578	4673	4768	4863	4958	5053	5148
-LAM Laminate	3978	4073	4168	4263	4358	4453	4548	4643	4738	4833	4928	5023	5118
-FX Fenix	4038	4133	4228	4323	4418	4513	4608	4703	4798	4893	4988	5083	5178
-AY Acrylic	4041	4136	4231	4326	4421	4516	4611	4706	4801	4896	4991	5086	5181

Required to Specify

Fabrics or Leather : Ensure graded in material or COM/COL is approved for use on Tote by contacting Davis

Metal Finishes : See **page 6** for all standard powder coats. *Only required for TE-1015-L / TE-1015-R*

Pull Handle : Must specify Black, Brown pull handle

Options *(specify only if preferred)*

Castors: TE-SOCA soft caster – No charge at time of order