

DAVIS®

# Vivano Price List

Designed by jehs+laub  
Effective June 8, 2026



## VIVANO Series

Specifications .....	2
Images .....	3
Dimensions .....	4
Finishes.....	5
VV-10.....	6

## FEATURES

---

### **Frame**

Solid hardwood construction, offered in ash, oak, and walnut. The arms and back are crafted from precision-milled solid wood components, sculpted through a combination of advanced 5-axis CNC machining and traditional steam bending to achieve the chair's signature continuous backrest and silhouette.

---

### **Seat**

Exposed solid wood seat, precision-contoured via 5-axis CNC machining to provide ergonomic support while showcasing the natural beauty of the wood grain.

---

### **Glides**

Standard with black hard plastic glides.

Optional felt **VV-Felt** glides available - no upcharge if ordered at the time of specification.

---

### **Upholstery**

An optional fully upholstered seat is available, featuring a foam-padded plywood substrate that delivers enhanced comfort and a crisply tailored appearance.

All foam components meet the flammability requirements of *California Technical Bulletin 117-2013 (CAL TB 117-2013)*.

Available in approved fabrics and leathers from the Davis Fabric and Leather Program, or in COM/COL. For approved materials, visit [www.davisfurniture.com/fabric-approval](http://www.davisfurniture.com/fabric-approval).

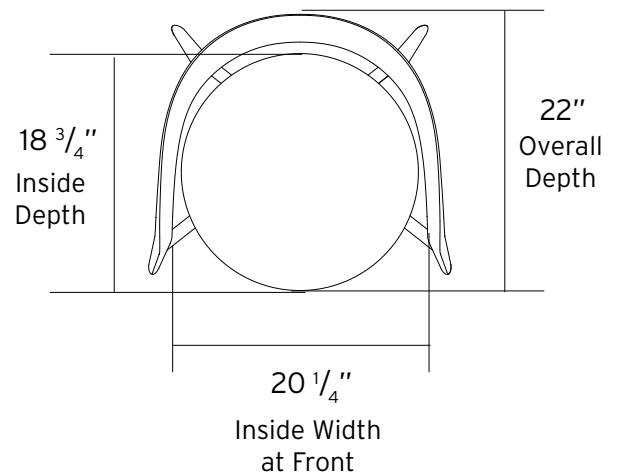
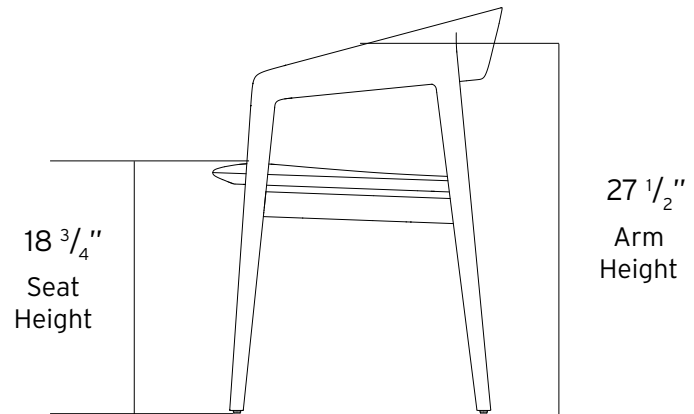
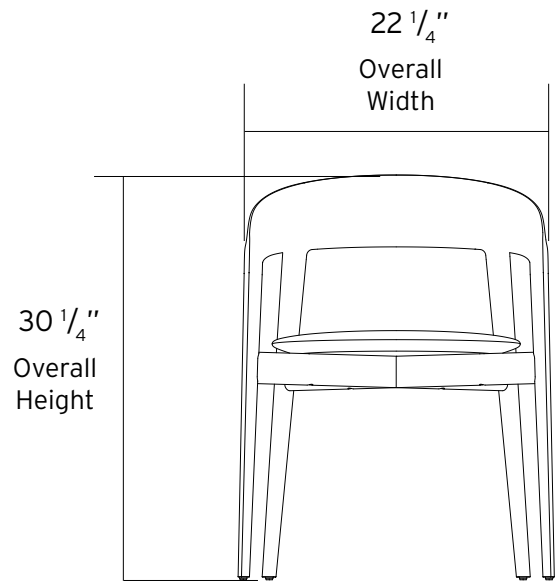


Leg Connection Detail

DIMENSIONS

# VIVANO Series

Dimensions	w	d	h
Overall	22 1/4"	22	30 1/4"
Inside at Front	20 1/4"		
Arm Height			27 1/2"
Seat Height			18 3/4"



## Ash Veneer



30 Vanilla Ash



31 Natural Ash



32 Sand Ash



33 Toasted Ash

## Oak Veneer



10 Alabaster  
White Oak



11 Light Oak



12 Golden  
Oak



13 Harvest  
Oak



14 Slate Oak



15 Mineral Grey  
Oak



16 Dark Oak

## Walnut Veneer



20 Clear  
Walnut



21 Light Grey  
Walnut



22 Classic  
Walnut



23 Mocha  
Walnut




24 Midnight  
Walnut


## Painted Ash



Black

Example: item number **VV-10** + veneer suffix **-OASW** = **VV-10-OASW**

Item	Description					Shipping Weight
VV-10	Solid Wood Chair	<i>NOTE: See page 4 for all dimensions</i>				lbs.
	List Price					
	Solid Wood Selection	<b>-AASW</b> Ash	<b>-OASW</b> Oak	<b>-WWSW</b> Walnut	<b>-PTSW</b> Painted Ash	
		<b>2090</b>	<b>2621</b>	<b>3618</b>	<b>2195</b>	

Item	Description												Yardage / Square Feet	Shipping Weight
VV-15	Solid Wood Chair Fully Upholstered Seat	<i>NOTE: See page 4 for all dimensions</i>											$\frac{3}{4}$ yds / 13 $\frac{1}{2}$	lbs.
	List Price													
	Grades													
	Solid Wood	COM/COL	A	B	C	D	E	F	G	H	I	J	K	L
	-AASW Ash	1892	1914	1936	1958	1980	2002	2024	2046	2068	2090	2112	2134	2156
	-OASW Oak	2336	2358	2380	2402	2424	2446	2468	2490	2512	2534	2556	2578	2600
-WWSW Walnut	3067	3089	3111	3133	3155	3177	3199	3221	3243	3265	3287	3309	3331	
-PTSW Painted	1926	1948	1970	1992	2014	2036	2058	2080	2102	2124	2146	2168	2190	

## Required to Specify

**Fabrics or Leather :** Ensure graded in material or COM/COL is approved for use on Vivano by contacting Davis - *only for VV-15*

**Shell Finishes :** See **page 5** for finish options.

## Options

**Glides : VV-Glide** - Felt glide - no upcharge at the time of order.