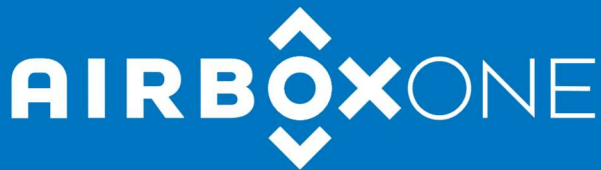




2026 PARTS CATALOG



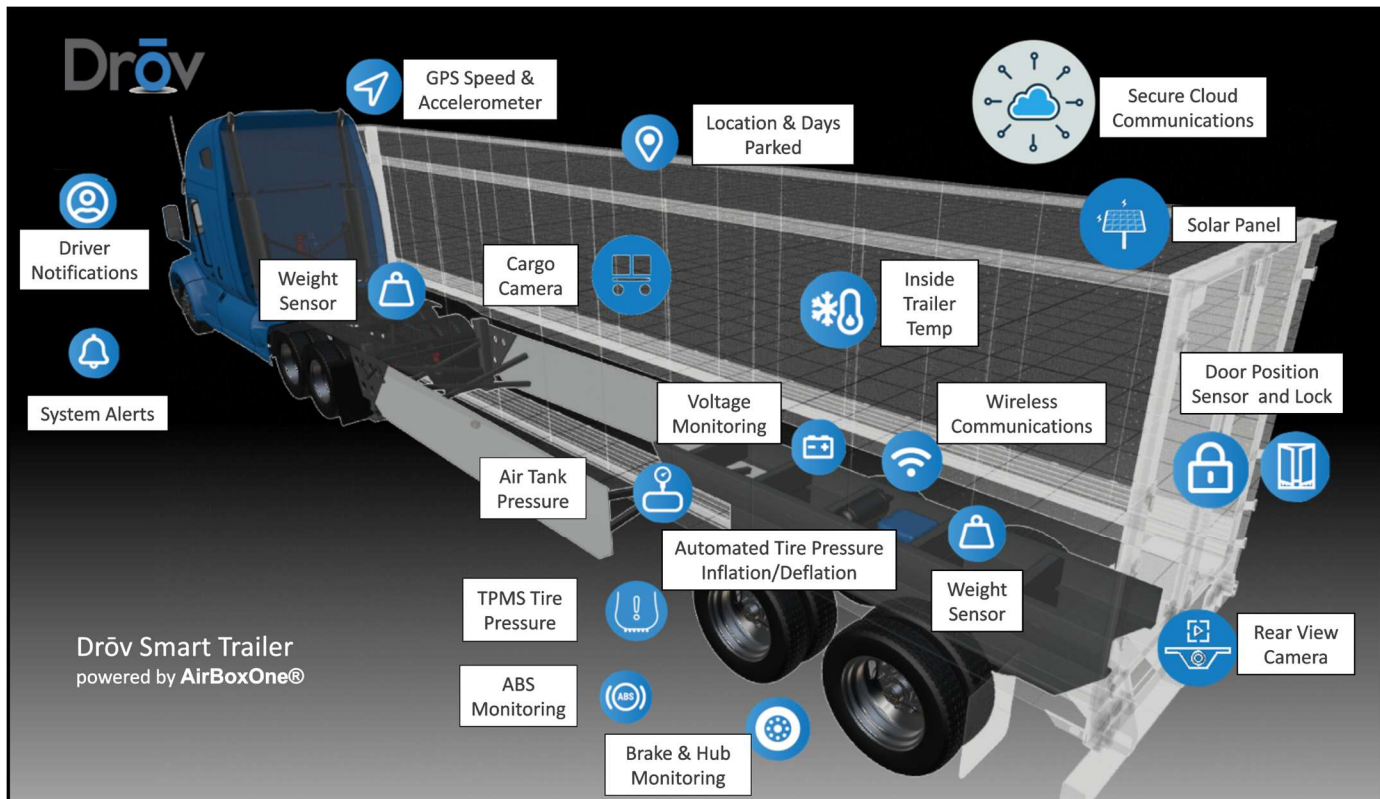
DRÖV TECHNOLOGIES 8232 SW 23rd Pl, Oklahoma City, OK 73128

www.drovtechnologies.com sales@drovtechnologies.com

Contents

Contents.....	1	100378.....	18
AirBoxOne System.....	2	AirBoxOne Cameras.....	19
AirBoxOne Control Box.....	2	Video Control Units (VCUs).....	19
AirBoxOne Mounting Brackets.....	4	VCU Mounting Brackets.....	19
ABO Harnesses.....	5	Trailer Power Connection.....	20
Standard Harness Kits.....	5	VCU-AirBoxOne Ethernet cable.....	20
Harness Kit BOMs.....	5	Cameras.....	21
Black Connector Harness.....	6	Camera brackets.....	22
Black Connector Extensions.....	6	VCU-Camera cables.....	22
Gray Connector Harness.....	7	Cargo lights.....	22
Grey Harness Extension.....	7	Standard Camera Configurations.....	23
ABS Power Tap.....	8	Tanker.....	23
GPS Antenna.....	8	Dry Van – 2 camera.....	23
Trailer Weight Sensor.....	9	Dry Van – 4 camera.....	23
Air Brake Pressure Sensor.....	9	Reefer – 2 camera.....	23
Wireless Pressure Sensor.....	9	Reefer – 4 camera.....	23
CNG Pressure Sensor.....	10	Preconfigured Camera Kits.....	24
Door Sensor.....	10	100381.....	24
Tire Pressure Monitoring.....	11	100377.....	24
Sensor Parts.....	11	Dynamic Tire Inflate/Deflate.....	25
TPMS Sensor Kits.....	11	Dynamic Rotary Unions.....	25
Hub Temperature and Vibration.....	12	Single Rotary Unions.....	25
Ambient Temperature Sensor.....	12	Rotary Union Kits with Integrated TPMS.....	25
Alert lights.....	13	Replacement Battery.....	25
White.....	13	AirBoxOne Axle Plugs.....	26
Amber.....	14	Polypack Replacement Kit.....	26
Solar Panels.....	15	Dynamic Hoses.....	27
Panels.....	15	Standard Inflate System.....	28
Solar Panel Harness Extensions.....	15	SI Control Box.....	29
Panel Kits.....	15	SI Axle Plugs.....	29
ABO Labels.....	16	Polypack Replacement Kit.....	29
ABO Accessories.....	17	Accessories.....	30
ABO Installation Accessory Kits.....	17	SI Installation Accessory Kits.....	30
Preconfigured AirBoxOne Systems.....	18	SI Rotary Unions.....	31
100372.....	18	SI Hoses.....	31
		Hub Caps.....	32

AirBoxOne System



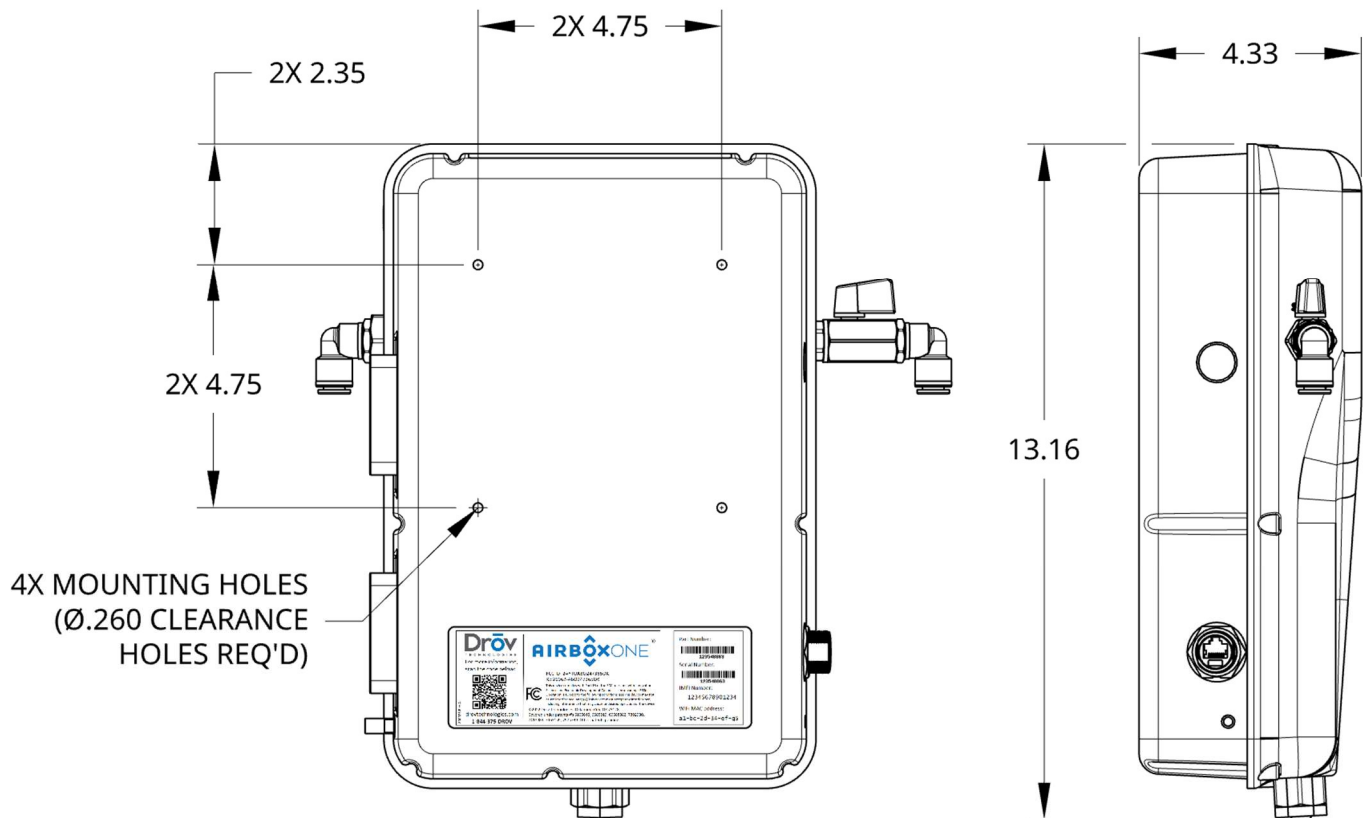
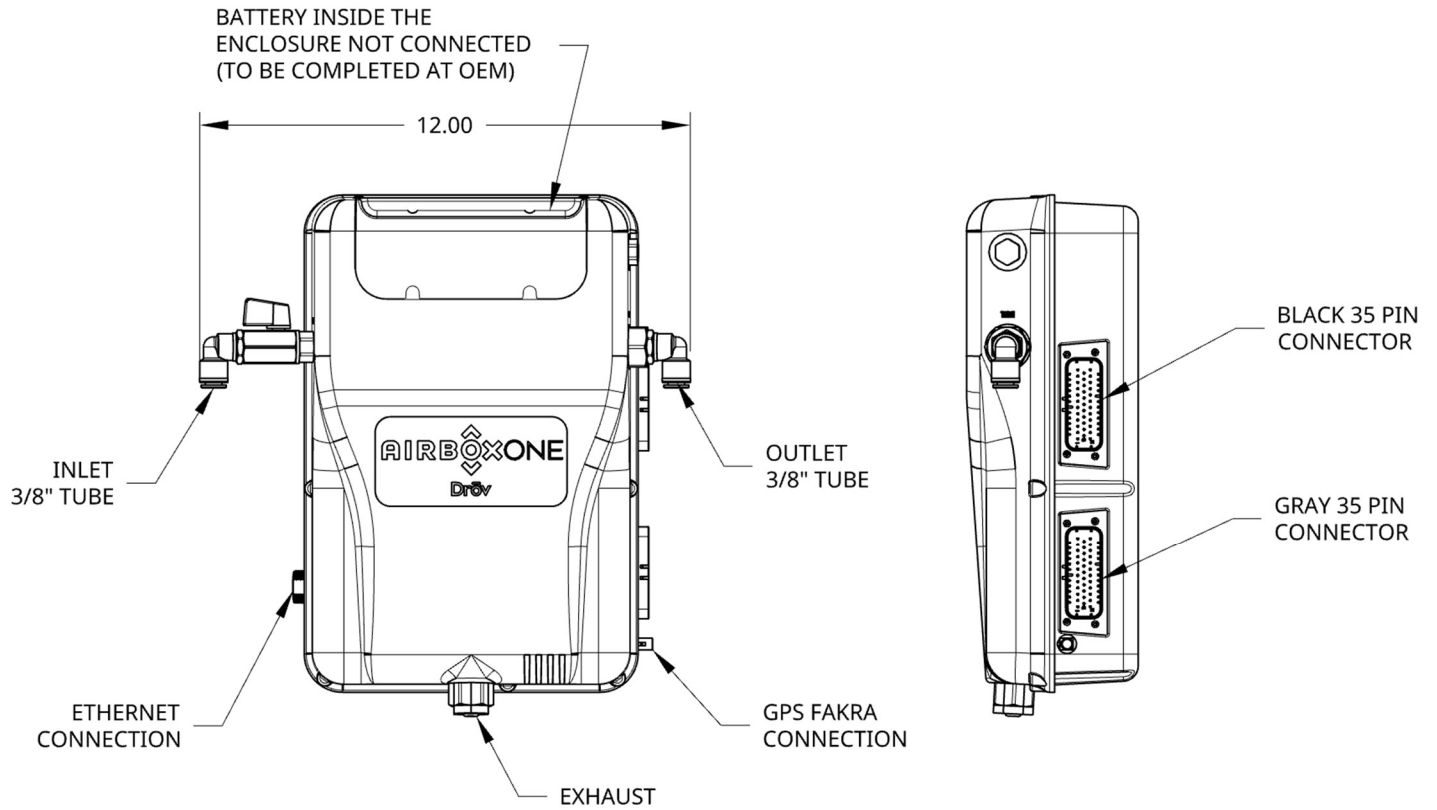
AirBoxOne Control Box



Part number	Description	Mounting Bracket	TPC Manifold
100156	AirBoxOne, non-TPC, No Bracket	None	No
100194	AirBoxOne, TPC, No Bracket	None	Yes
100350	AirBoxOne, non-TPC, Bracket 300014	300014	No
100160	AirBoxOne, TPC, Bracket 300014	300014	Yes
100163	AirBoxOne, TPC, Bracket 300213	300213	Yes
100123	AirBoxOne, TPC, Bracket 300221	300221	Yes
100243	AirBoxOne, TPC, Bracket 300280	300280	Yes

TPC = Tire Pressure Control

AirBoxOne come with push to connect fittings for 3/8" tube. If 1/4" tubing is required, use adapter kit 100391

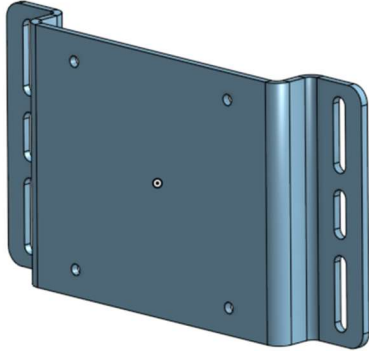


AirBoxOne Mounting Brackets

All brackets are made of .187" thick aluminum with a clear anodize finish and mount to the chassis with 5/16" hardware. 1" long bolts with locknuts are supplied.

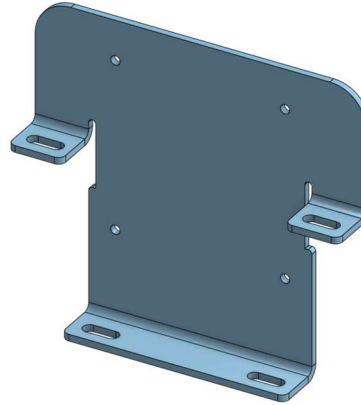
Part Number: **300014**

Application: Petrol Tankers, CNG Trailers



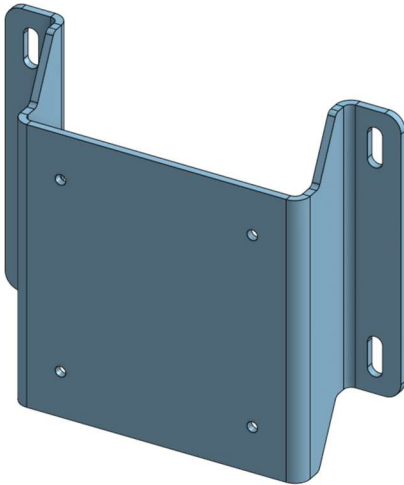
Part Number: **300185**

Application: LBT



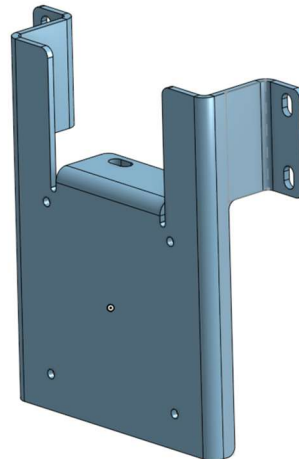
Part Number: **300213**

Application: Vantraxx suspensions



Part Number: **300280**

Application: Ultraa 40K suspension



ABO Harnesses

Standard Harness Kits

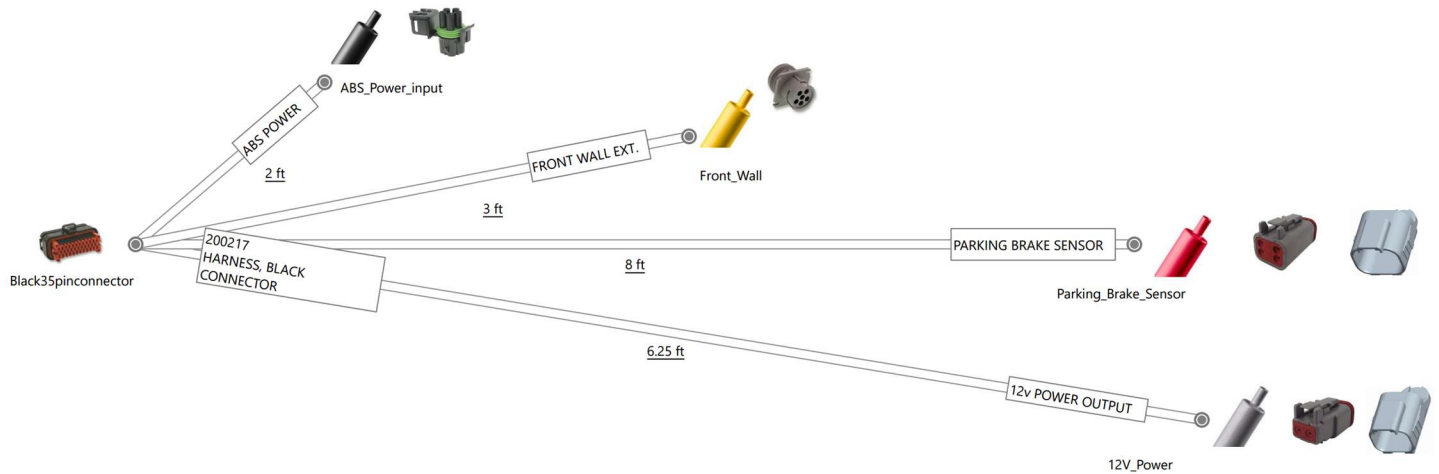
Drōv stocks preconfigured harness kits for common installations.

Part number	Description	Base Kit	Application
100188	Basic ABO Harness Kit	----	Fuel Tanker, Van, Reefer
100203	Tanker lane 2 - Entrans	----	Liquid Tanker with door LoadGuard switch or camera system
100249	CNG Tanker - Kwik	100203	CNG Tanker on Kwik Chassis w/ tire inflation light and 15' extension
100272	CNG Tanker - Pratt	100203	CNG Tanker on Pratt Chassis w/ tire inflation light L-bracket mount and 8' ABS extension

Harness Kit BOMs

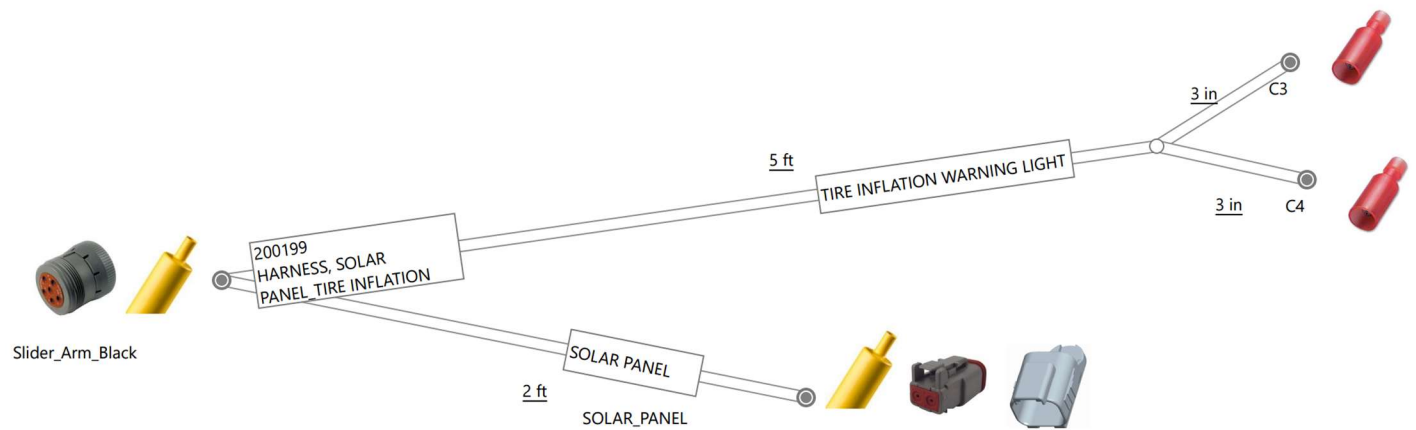
Part number	Description	100188 kit qty	100203 kit qty	100249 kit qty	100272 kit qty
200217	HARNESS, BLACK CONNECTOR	1	1	1	1
200218	HARNESS, GREY CONNECTOR	1	1	1	1
200199	HARNESS, SOLAR PANELTIRE INFLATION	1	1	1	1
400623	ABS Y SPLITTER, 48 IN	1	1	1	1
100139	ASSEMBLY, GPS- FAKRA 5.0 M CABLE, FLAT BRACKET	1	1	1	1
400172	HARNESS BEAM CLIP- 5/16-1/2	6	6	10	15
800031	LABEL, AIRBOXONE, TRAILER NOSE	1	1	1	1
200198	HARNESS, LOADGUARD- CAMERA POWER	--	1	1	1
400078	LIGHT, WHITE LED, ROUND DOT	--	--	1	--
200251	CABLE, 2 WIRE TIRE INFLATION LIGHT, 15 FT LG	--	--	1	--
100271	ASSY, TIRE INFLATION LIGHT	--	--	--	1
400605	ABS EXTENSION 8FT	--	--	--	1

Black Connector Harness



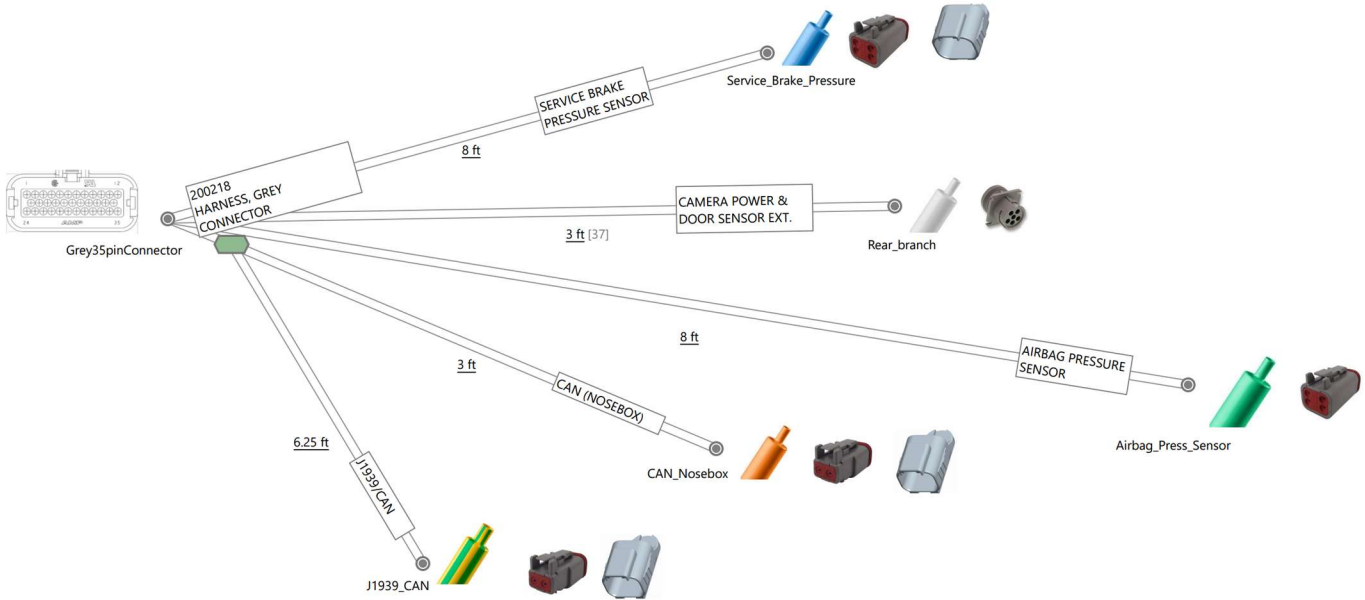
Part number	Description	Application
200217	HARNESS, BLACK CONNECTOR	Standard harness
200260	HARNESS, BLACK CONNECTOR	200217 w/o 12v Power Output branch

Black Connector Extensions



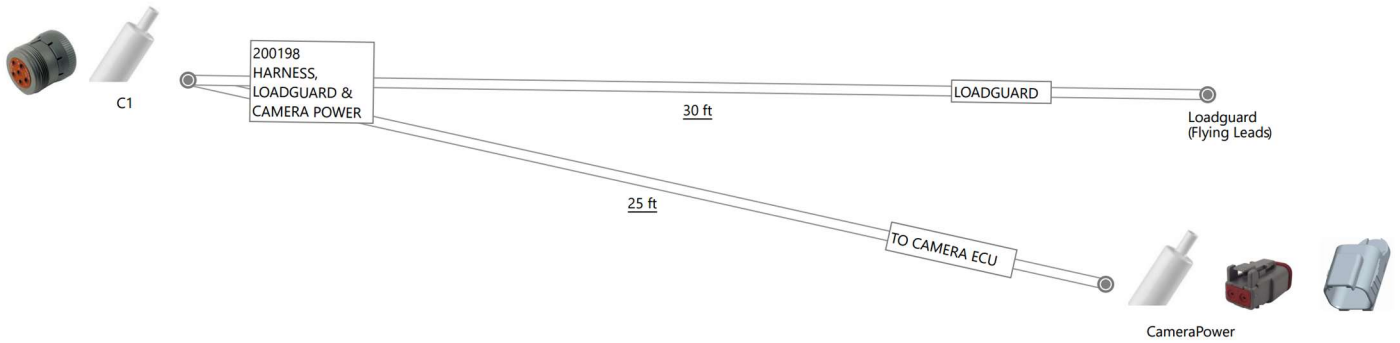
Part number	Description	Branches
200199	HARNESS, SOLAR PANELTIRE INFLATION	Solar panel, Tire Inflation
200175	HARNESS, FRONT EXTENSION, TIRE INFLATION LIGHT,5 FT	5' Tire Inflation Light
200181	HARNESS, FRONT EXTENSION	56' solar, tire inflation, clearance light power

Gray Connector Harness



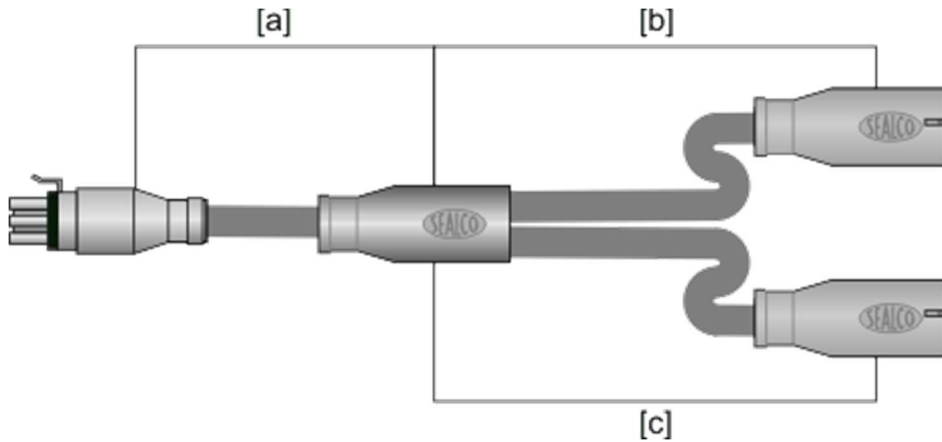
Part number	Description	Where used
200218	HARNESS, GRAY CONNECTOR	Standard Harness
200261	HARNESS, GRAY CONNECTOR	200218 w/o Airbag Pressure Sensor and CAN branches

Grey Harness Extension



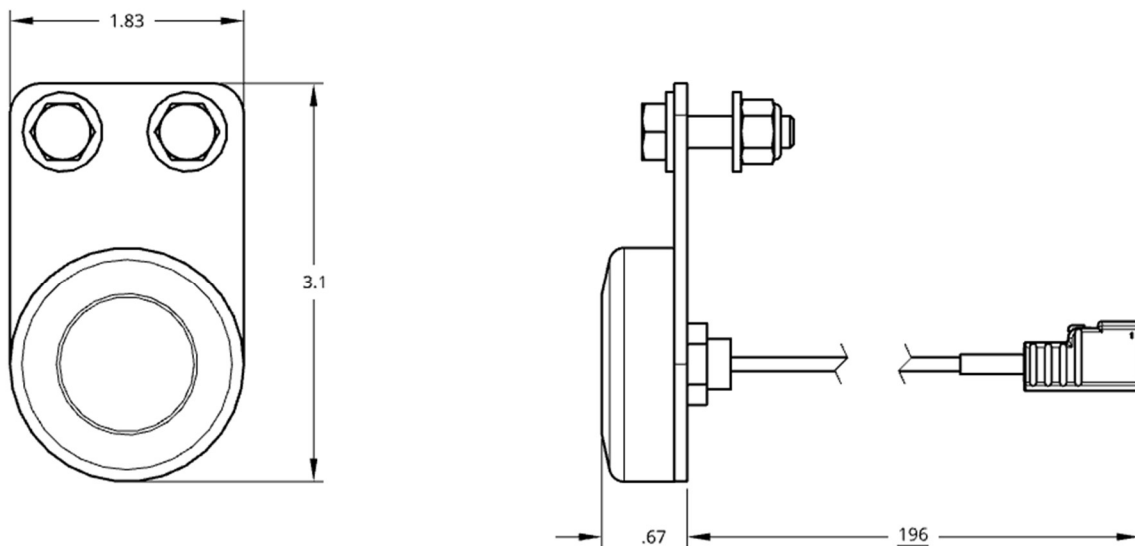
Part number	Description	Branches
200198	30' LoadGuard, 25' Camera ECU Power	30' LoadGuard, 25' Camera ECU Power
200170	36' CAN	36' CAN
200177	40' CAN	40' CAN
200262	10' Door Sensor	10' Door Sensor
200263	40' Door Sensor, 44' Camera ECU Power	40' Door Sensor, 44' Camera ECU Power

ABS Power Tap



Part number	Description	a	b	c
400623	SPLITTER, ABS POWER, 48"	6"	6"	48"
400605	ABS EXTENSION, 8 FT	96"		

GPS Antenna



Part number	Description	Cable Length
100127	ASSEMBLY, GPS 1.5M FAKRA, FLAT BRACKET	5 ft
100139	ASSEMBLY, GPS- FAKRA 5.0 M CABLE, FLAT BRACKET	16.3 ft

Trailer Weight Sensor



For use with air ride trailers only! The sensor can be installed directly into an airbag or anywhere in the system downstream of the leveler valve.

Part number	Description	Fitting Size	Fitting Type
400319	SENSOR, PRESSURE, 0-100PSI, 0.25%, 1/4NPT, DT04-4P	1/4" NPT	--
100125	KIT, SENSOR, TRAILER WEIGHT, AIRBAG, 1/4 IN RUN TEE	1/4" NPT	Run tee
100129	KIT, SENSOR, TRAILER WEIGHT, AIRBAG, 1/4 ELBOW	1/4" NPT	Elbow
100254	KIT, SENSOR, TRAILER WEIGHT, AIRBAG, PTC TEE, AIRBAG	3/8" Tube	PTC Tee

Air Brake Pressure Sensor



Part number	Description	Fitting Size	Fitting Type
400313	SENSOR, PRESSURE TRANSDUCER, 0-150PSI, 0.5%, DEUTSCH		
100067	KIT, BRAKE PRESSURE MONITORING, 3/8 NPT	3/8" NPT	Run tee
100096	KIT, SENSOR, BRAKE PRESSURE MONITORING, 1/4 NPT	1/4" NPT	Run tee
100268	KIT, BRAKE PRESSURE MONITORING, PTC TEE, 3/8	3/8" Tube	PTC Tee

Wireless Pressure Sensor



Part number	Description	Connection Size
400745	PRESSURE SENSOR, 0-30 PSIA, BLE	1/4 NPTM

CNG Pressure Sensor



Part number	Description	Connection Size
400662	PRESSURE SENSOR, 1/4 NPT, 5000 PSI	1/4 NPTM

Door Sensor

Low Profile Sensor



Wide gap sensor



Part number	Description	Magnet/Sensor	Bracket	Other
100063	KIT, DOOR SENSOR, SWING	Low Profile		400215 - 3/16" SS RIVET 400216 - #8 SS SELF TAPPER 110080 - #6-32 SCREWS 110081 - #10-24 SCREWS
100256	KIT, DOOR SENSOR, QUANTUM CNG	Wide Gap		
100273	KIT, DOOR SENSOR, HEXAGON CNG	Wide Gap		
100285	KIT, DOOR SENSOR, ROLL UP DOOR	Wide Gap		100290 - KIT, 1/4" BUTTON HEAD BOLT W/ SEALING WASHERS

Tire Pressure Monitoring

The AirBoxOne works with select 433Mhz and BLE tire pressure sensors.

Note: The Dröv Dynamic Tire Inflation System includes tire pressure sensors inside the rotary union.

Sensor Parts



Part number	Description	Notes
400111	FITTING, TEE, VALVE STEM ADAPTOR	
400112	SENSOR, TPMS, EXTERNAL, 433MHZ	
400438	BATTERY, CR1632	Replacement battery for 400112
110059	ASSY, TPMS-TEE, 433MHZ	400111 + 400112

TPMS Sensor Kits

Part Number	Wheel Style	Axle Count	With Tee?	Kit Contents
100338	Dual	1	Yes	110059 (4)
100147	Dual	2	Yes	110059 (8)
100219	Dual	2	No	400112 (8)
100131	Super Single	2	Yes	110059 (4)
100218	Super Single	2	No	400112 (4)

Hub Temperature and Vibration

SKF TraX™ wheel end monitor fits on 22.5" wheels with a 11.25" bolt circle



Part number	Description	Sensor count
400128	SENSOR, SKF TRAX	1
100047	KIT, SKF WHEEL END TEMPERATURE AND VIBRATION, TANDEM AXLE	4
100215	KIT, SKF WHEEL END TEMPERATURE AND VIBRATION, SINGLE AXLE	2

Ambient Temperature Sensor



Part number	Description	Hardware
400498	BLE TEMPERATURE BEACON	--
100189	KIT, AMBIENT TEMPERATURE SENSOR	#10 x 1" SS button head screws and locknuts
100320	KIT, TEMPERATURE SENSOR	#10 SS self-drilling & tapping screws.

Alert lights

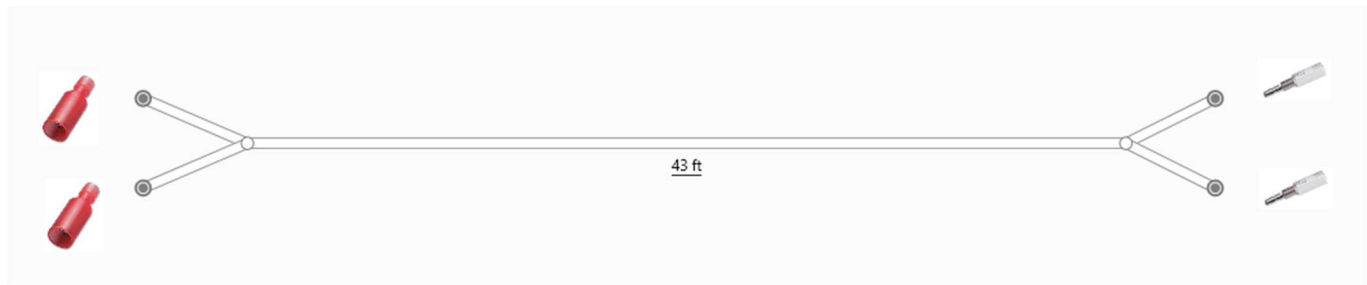
White



Mounts in 3/4" hole.

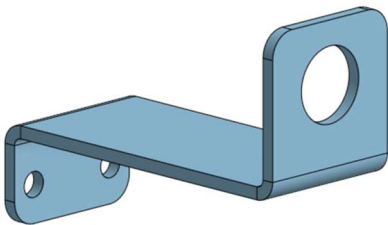
Part number	Description
400078	LIGHT, WHITE LED, ROUND DOT

White Light Extensions



Part number	Description	Cable Length
200251	CABLE, INFLATION LIGHT EXTENSION, 43FT	43'
200256	CABLE, INFLATION LIGHT EXTENSION, 28FT	28'
200265	CABLE, INFLATION LIGHT EXTENSION, 58 FT	58'

Bracket

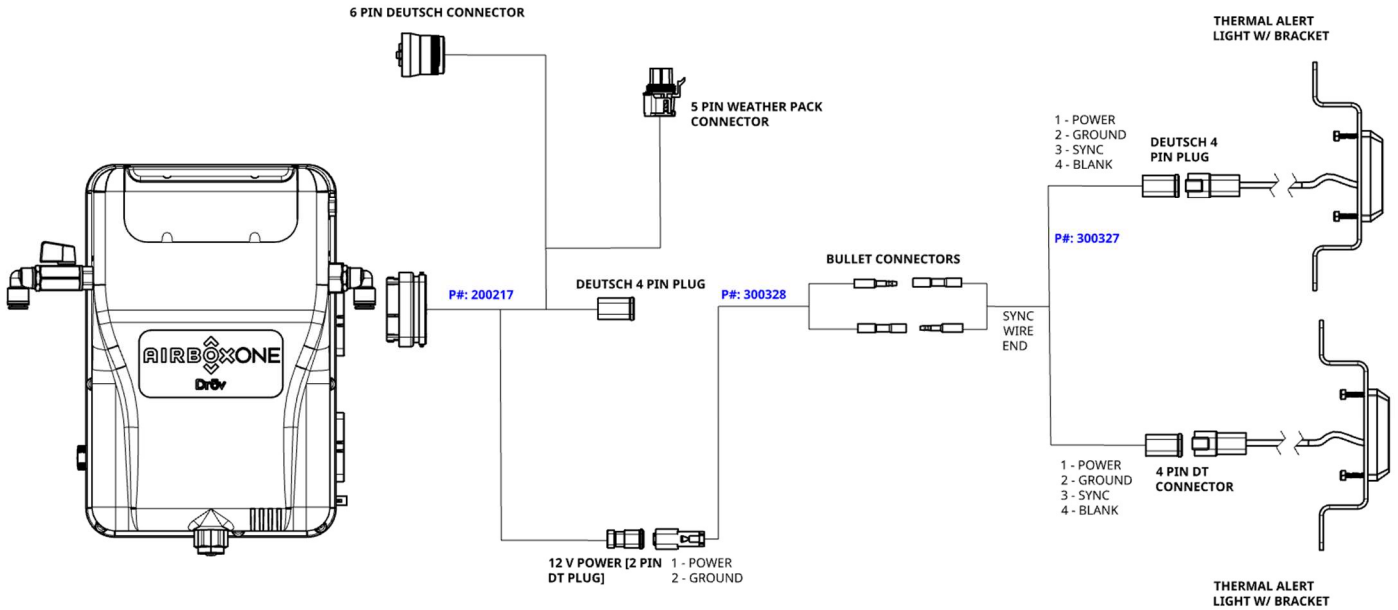


Part number	Description	Application
300283	BRACKET, WARNING LIGHT	CNG trailer

Amber

Used to alert the driver of a high hub temperature (requires SKF TraX)

3-LED rectangular light, amber color, multiple blink/strobe patterns available. 4-pin DT receptacle



Part number	Description	Notes
100362	KIT, THERMAL ALERT LIGHT	Incl. 300328, 300327, 2x 110100, 800069
110100	ASSY, THERMAL ALERT LIGHT, W/ BRACKET	
110101	ASSY, THERMAL ALERT LIGHT W/O BRACKET	
800069	LABEL, THERMAL ALERT LIGHT	
300328	HARNESS, THERMAL LIGHT EXTENSION	40 FT, Deutsch to Bullet
300327	HARNESS, THERMAL EVENT LIGHT, STROBE	Connects lights to power and syncs strobe



This vehicle is equipped with a Thermal Indication System by Dröv Technologies to alert the driver of wheel-end overheating.

- Indicator Activation: Lights flash when wheel hub temperature exceeds the threshold (default: 190°F)
- Backup Power: Operates on backup battery if vehicle power is unavailable (minimum 3.6V)

Notes:

- Lights emit a strobe pattern (1 sec ON, 1 sec OFF) during a thermal event
- If activated, pull over safely and inspect wheel hubs for overheating or system malfunction

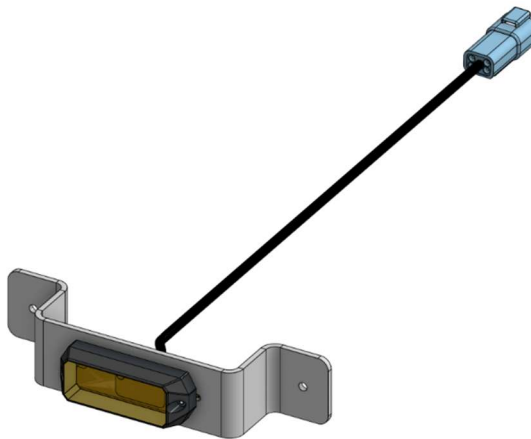
To disable the system: Disconnect the connector to the light.

Report any problem to your dispatcher or maintenance supervisor or contact Dröv's Customer Service at 1-844-375-3768.

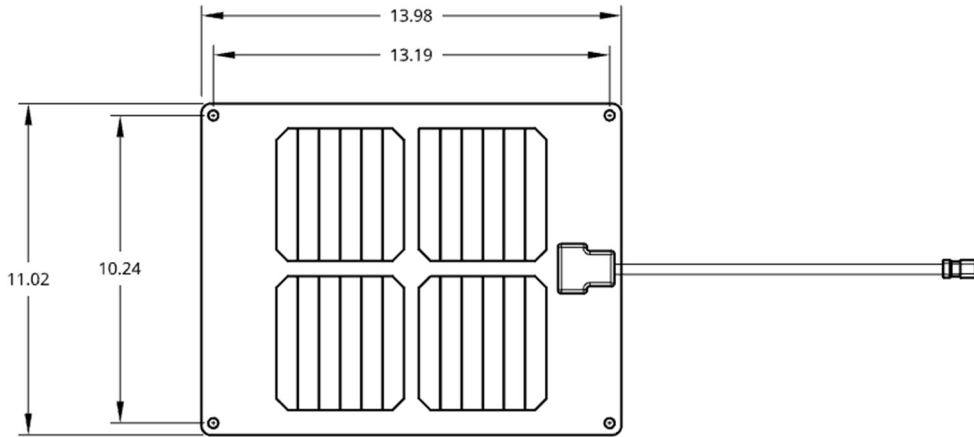
For more information, scan the code below:



www.drovtechnologies.com
1-844-375-DROV



Solar Panels



Panels

Part number	Description	Termination	Application
200020	SOLAR PANEL, 14W	3ft Lead w/ Cord Grip & Bullet Connectors	Van Trailer
200201	SOLAR PANEL,14W, DT06-2S	3ft Lead w/ DT Plug	Exterior cable routing

Solar Panel Harness Extensions

Part number	Description	Cable Length	Ends
200253	CABLE, SOLAR PANEL EXTENSION, 8 FT, DT- DT	8ft	DT to DT
200281	CABLE, SOLAR PANEL EXTENTION, 10FT, DT-DT	10ft	DT to DT
200200	CABLE, SOLAR PANEL EXTENSION, 25FT, DT-DT	25ft	DT to DT
200276	CABLE, SOLAR PANEL EXTENSION, 39FT, DT-DT	39ft	DT to DT
200282	CABLE, SOLAR PANEL EXTENTION, 58 FT, DT-DT	58ft	DT to DT
200258	CABLE, SOLAR PANEL EXTENSION, 28FT, DT-BULLET	28ft	DT to Bullet
200266	CABLE, SOLAR PANEL EXTENSION, 58 FT, DT-BULLET	58ft	DT to Bullet
200257	CABLE, SOLAR PANEL EXTENSION, 10 FT, BULLET-BULLET	10ft	Bullet to Bullet

Panel Kits

Part number	Description	Panel P#	Extension(s)	Ext. Length	Extras
100286	KIT, SOLAR PANEL, 28' VAN	200020	200257, 200258	28'+10'	400606, 400645
100297	KIT, SOLAR PANEL, 53' VAN	200020	200257, 200266	58'+10'	400645, 400646
100195	KIT, SOLAR PANEL, DEUTSCH, 25 FT	200201	200200	25'	--
100351	KIT, SOLAR PANEL, DEUTSCH, 58_10 FT	200201	200281, 200282	58'+10'	400646
100274	KIT, SOLAR PANEL, DEUTSCH, 8_39 FT	200201	200253, 200276	8'+39'	400646

400645 – Cable tie mount. 400646 – ¼" x .126-.25" aluminum pop rivet, 400606 – ¼" x .501-.625 aluminum pop rivet.

ABO Labels

300073 – LABEL, AIRBOXONE, TRAILER SIDE

Drōv
TECHNOLOGIES
For more information, scan
the code below:



www.drovtechnologies.com
1-844-375-DROV

©2020 Drōv Technologies, Oklahoma City, OK 73182. Made in USA. Covered under patents #: 8105645, 6585019, 69688882, 7302980, 7418989, 7963153, 7675739. Other patents pending

DRŌV AIRBOXONE SYSTEM

⚠ WARNING: THE DRŌV SYSTEM IS PRESSURIZED AND COULD CAUSE INJURY

⚠ WARNING: THE DRŌV SYSTEM IS EQUIPPED WITH A BACKUP BATTERY AND MAY PRESSURIZE THE SYSTEM EVEN WHEN THE TRAILER IS DISCONNECTED FROM POWER

TO CHECK SYSTEM PRESSURE

1. Disconnect the hose from the **ROTARY UNION**.
2. Measure pressure on the rotary union using a tire pressure gauge.
3. Reattach hose to rotary union. Torque to **HAND TIGHT**

TO DISABLE THE SYSTEM

1. Turn **RED** shut off valve clockwise to **OFF** position on control unit

SHUT OFF VALVE

800073

To service the wheel ends, refer to the *Installation, Service and Troubleshooting Guide*

800031 – LABEL, AIRBOXONE, TRAILER NOSE



This vehicle is equipped with an AirBoxOne system from Drōv Technologies which monitors the **pressure** of each tire. If the tire pressure is low the indicator light will illuminate.

Note: If equipped with an automatic tire inflation system it may take up to 10 minutes at the start of a trip for the tires to fully inflate and the indicator light to turn off.

If the indicator light comes on during a trip pull off the road safely and inspect your tires and Drōv System for damage or malfunction.

Report any problem to your dispatcher or maintenance supervisor or contact Drōv's Customer Service at 1-844-375-3768.

To disable the system: Close the red shut off valve located on the control box.

Drōv
TECHNOLOGIES
www.drovtechnologies.com
1-844-375-DROV

For more information, scan the code below:



800031 Rev A

©2023 Drōv Technologies, Oklahoma City, OK 73128.
Patents: drovtechnologies.com/patents

ABO Accessories

Part number	Description	100282	100293
300041	TUBING 35FT, ¼" NYLON, D.O.T., BLACK	-	-
300066	TUBING, 10FT, 3/8" NYLON D.O.T., BLACK	1	2
400078	LIGHT, WHITE LED, ROUND DOT	-	-
400051	SPLITTER, ABS POWER, 5PIN	-	-
400065	UNION TEE, 3/8 PTC	-	1
400066	UNION TEE, 3/8 PTC X 1/4 PTC X 1/4 PTC	1	2
100006	PRESSURE PROTECTION VALVE, 3/8" NPT TO 1/4" AIRLINE	-	-
100253	PRESSURE PROTECTION VALVE, 3/8" NPT TO 3/8" AIRLINE	1	1
400408	FITTING, PTC REDUCER, 3/8 FITTING TO 1/4 TUBE	-	-

ABO Installation Accessory Kits

Part number	Description
100282	KIT, SINGLE AXLE TIRE INFLATION INSTALL KIT, 3/8" TUBING
100293	KIT, TIRE INFLATION INSTALL KIT, TANDEM AXLE
100162	KIT, TANDEM AP AND ABO INSTALL ACCS, 2.75" NP
100255	KIT, TANDEM AXLE TIRE INFLATION ALL KIT
100269	KIT, TANDEM AP AND ABO INSTALL ACCS, 2.75 NP, NO PPV
100316	KIT, TIRE INFLATION INSTALL KIT, TANDEM AXLE, 2.75"

Preconfigured AirBoxOne Systems

Drōv will sell kits and components separately or bundled together as one line item. Contact sales@drovtechnologies.com for assistance in configuring a system for your application.

100372

Polar chemical trailer with Hendrickson suspension and TireMaxx Pro monitoring and control

Q Comp ↕	Description	↕ Required Quantity ↕
100160	AIRBOXONE	1.000000
100203	KIT, WIRING HARNESS, TANKER LANE 2	1.000000
100047	KIT, SKF WHEEL END TEMPERATURE AND VIBRATION, TA	1.000000
100125	KIT, SENSOR, TRAILER WEIGHT, AIRBAG, 1/4 IN RUN TEE	1.000000
100067	KIT, BRAKE PRESSURE MONITORING, 3/8 NPT	2.000000
100147	KIT, TPMS TEE, TANDEM DUALS, SHORT TEE	1.000000
100377	KIT, CAMERA, REAR, API, CURB, DRIVE CAMERA, GEN 2	1.000000
200251	CABLE, INFLATION LIGHT EXTENSION, 43 FT	1.000000

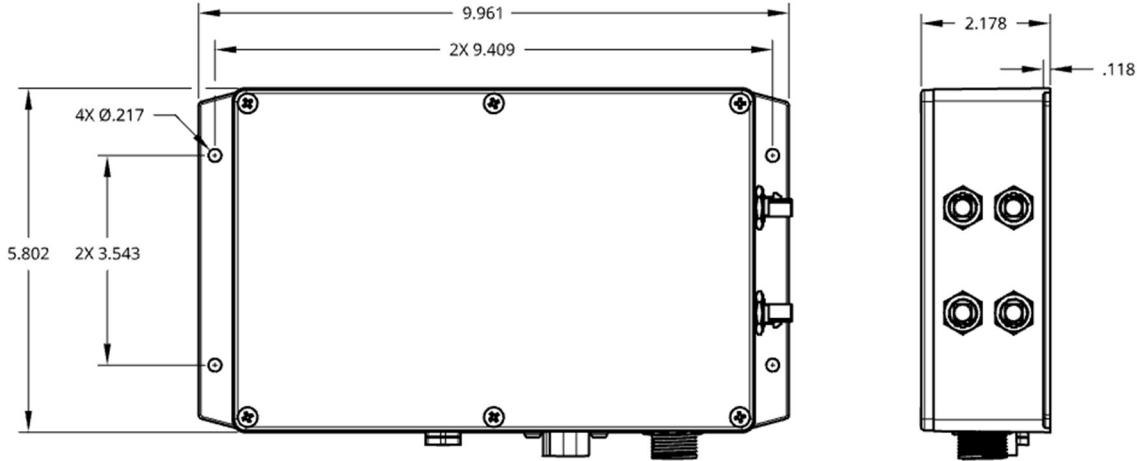
100378

LBT petroleum tanker with SAF Holland suspension, Drōv Tire inflation, and camera system with Rear View, Side View and API head cameras.

Q Comp ↕	Description	↕ Required Quantity ↕
100367	AIRBOXONE	1.000000
100203	KIT, WIRING HARNESS, TANKER LANE 2	1.000000
100047	KIT, SKF WHEEL END TEMPERATURE AND VIBRATION, TA	1.000000
100254	KIT, SENSOR, TRAILER WEIGHT, AIRBAG, PTC TEE, AIRBA	1.000000
100067	KIT, BRAKE PRESSURE MONITORING, 3/8 NPT	2.000000
100316	KIT, TIRE INFLATION INSTALL KIT, TANDEM AXLE, 2.75"	1.000000
100296	KIT, DYNAMIC ROTARY UNION W/ TPMS, TANDEM DUALS	1.000000
100300	KIT, DYNAMIC HOSES, TANDEM DUALS, 22.5" WHEELS	1.000000
400610	HUB CAP, OIL, 6 3/4" BOLT DIA	4.000000
100325	KIT, TANK AI CAMERA, REAR, API, CURB, DRIVE CAMERA,	1.000000
400675	FITTING, ADAPTER, 1/2 NPTM TO 3/8 NPTF	1.000000
400078	LIGHT, WHITE LED, ROUND DOT	1.000000
200251	CABLE, INFLATION LIGHT EXTENSION, 43 FT	1.000000

AirBoxOne Cameras

Video Control Units (VCUs)

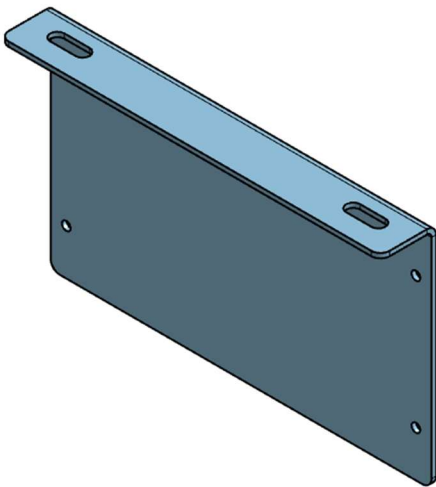


Part number	Description	Storage
100261	VIDEO CONTROL UNIT, GEN 2	256 GB

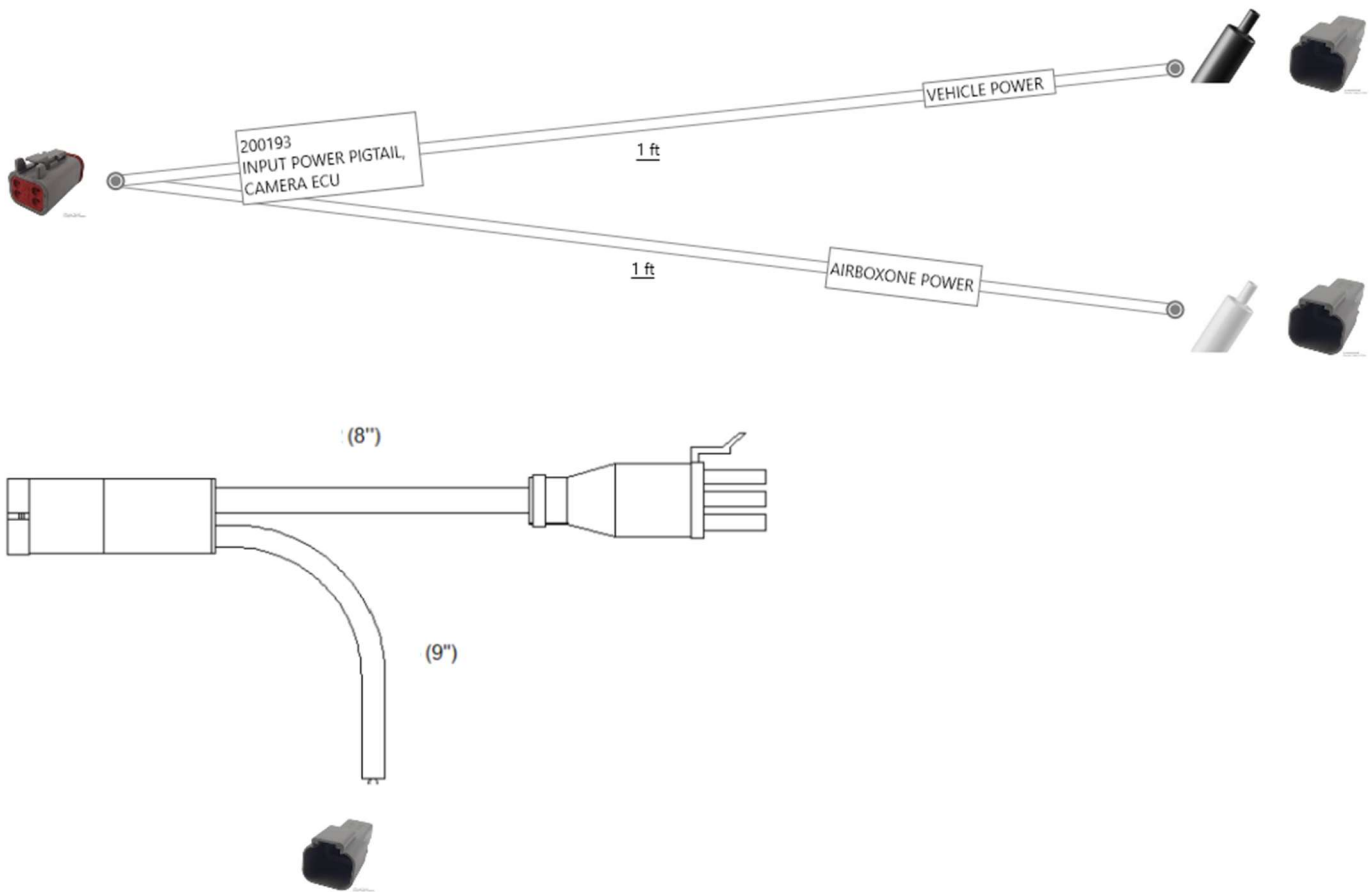
Note, the current cameras are connected to the VCU with FAKRA connectors. Older Dröv camera systems use an ethernet connection.

VCU Mounting Brackets

Part Number: **300307**
 Application: Van, Reefer



Trailer Power Connection



Part number	Description	Application
200249	CABLE, ABS WEATHERPACK SPLITTER W/ DT	Tap into ABS harness
100171	HARNESS, DT06-4S TO RING TERMINAL, 35FT	Wire into nose box*

*The ABS circuit is recommended. Other circuits with constant power may be used.

VCU-AirBoxOne Ethernet cable

UV rated and gel-filled Cat5e cable with RJ45 connectors on each end.

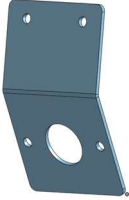

Part Number*	Cable Length	Ethernet Cable P#
100XXX	5	200203
100XXX	15	200153
100XXX	20	200235
100XXX	25	200205
100XXX	35	200204

*All kits include qty 2 of 400397 RJ45 feed-thru connector

Cameras

Part Number	Location	Option 1	Mounting Hardware	
100242	Exterior 2-bolt flange	1/4-20 x 1" bolts and lock nuts	Galvanized Mounting Hardware	
100373		1/4-20 x 1" bolts and lock nuts	Stainless Mounting Hardware	
100374		---	No Hardware	
100277	Cargo Camera	Front exit SMA	Stainless steel self-drilling and tapping screws	
100292	Cargo Camera	Rear exit SMA	Stainless steel self-drilling and tapping screws	
100264	Rear View	4 Bolt flange	40°	
100260	Rear View	2 bolt flange	70°	
100331	Rear View	2 bolt flange	20°	

Camera brackets

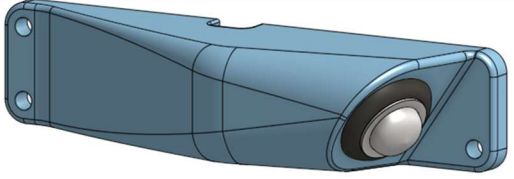
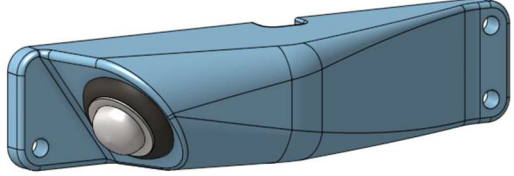
Bracket part number	For use with	
300310	100242	
300334	100242	

VCU-Camera cables

Coax cable with FAKRA to female SMA connector

Length	25'	40'	60'	100'
Black (camera 1)	---	400685	---	400742
Green (camera 2)	400578	400723	---	---
Red (camera 3)	400579	400686	---	---
Orange (camera 4)	---	400724	400743	---

Cargo lights

Part Number	Mounting	
100291	Driver/Road side	
100353	Passenger/Curb side	

Standard Camera Configurations

*other configurations available upon request



Tanker

1. Driver/Road side
2. API head
3. Pass/Curb side
4. Rear View

Dry Van – 2 camera

1. Cargo
2. –
3. –
4. Rear View

Dry Van – 4 camera

1. Cargo
2. Driver/Road side
3. Passenger/Curb Side
4. Rear View

Reefer – 2 camera

1. Cargo
2. --
3. --
4. Rear View

Reefer – 4 camera

1. Cargo
2. Driver/Road side
3. Passenger/Curb Side
4. Rear View

Preconfigured Camera Kits

100381

Standard camera kit for tankers with rear view, curb side and driver side cameras.

Q Comp	Description	Required Quantity
100261	VIDEO CONTROL UNIT, GEN 2	1.000000
200171	HARNESS, 2-WIRE, DT06-4S TO RING TERMINAL, 35FT	1.000000
200205	CABLE, ETHERNET, 25FT, OUTDOOR	1.000000
200193	INPUT POWER PIGTAIL, CAMERA ECU	1.000000
400397	CONNECTOR, FEED THRU, RJ45, C-SIZE SCREW THREAD	2.000000
100380	ASSY, CAMERA,ROADSIDE, 40', BLACK CABLE	1.000000
100376	ASSY, CAMERA, CURB SIDE. 40' RED CABLE	1.000000
100379	ASSY, REAR VIEW, 35', ORANGE CABLE	1.000000

100377

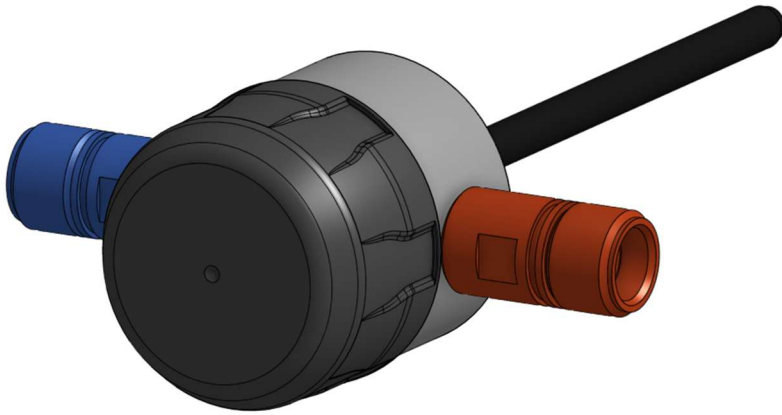
Standard camera kit for tankers with rear view, curb side, driver side and API head monitoring cameras.

Q Comp	Description	Required Quantity
100261	VIDEO CONTROL UNIT, GEN 2	1.000000
200171	HARNESS, 2-WIRE, DT06-4S TO RING TERMINAL, 35FT	1.000000
200205	CABLE, ETHERNET, 25FT, OUTDOOR	1.000000
200193	INPUT POWER PIGTAIL, CAMERA ECU	1.000000
400397	CONNECTOR, FEED THRU, RJ45, C-SIZE SCREW THREAD	2.000000
100333	ASSY, CAMERA, REAR VIEW, 35' ORANGE CABLE	1.000000
100375	ASSY, CAMERA, API HEAD, 40' GREEN CABLE	1.000000
100330	ASSY, CAMERA, ROAD SIDE, 35' BLACK CABLE	1.000000
100376	ASSY, CAMERA, CURB SIDE. 40' RED CABLE	1.000000

Dynamic Tire Inflate/Deflate

The Drōv Dynamic tire inflation system will allow the AirBoxOne to inflate or deflate trailer tires to the set point. After the tire pressure adjustment is completed, the system will isolate each tire to prevent a leak from affecting other tires.

Dynamic Rotary Unions



Single Rotary Unions

PART NUMBER	WHEEL CONFIGURATION	TIRE PRESSURE SENSING
100187	Duals	Drōv Integrated TPMS
100237	Super Singles	Drōv Integrated TPMS

Rotary Union Kits with Integrated TPMS

PART NUMBER	AXLE COUNT	WHEEL CONFIGURATION
100266	1	Super Singles
100305		Dual
100347	2	Super Singles
100296		Dual

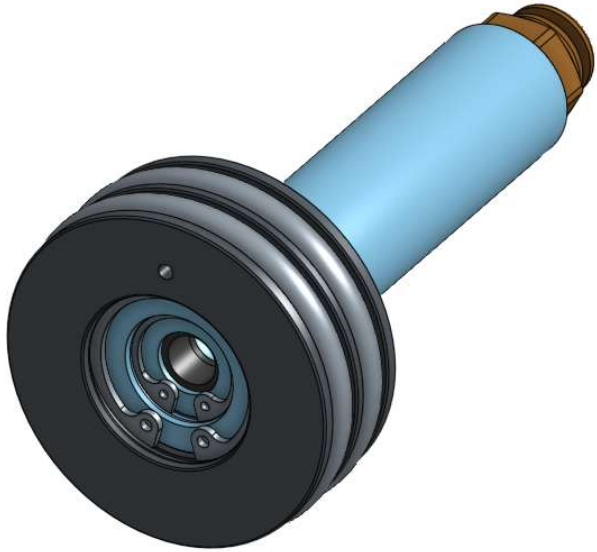
Replacement Battery

400597 – CR2477X

AirBoxOne Axle Plugs

All Drōv axle plug have a replaceable polypack seal that seals against the stator shaft of the rotary union.

The AirBoxOne uses a non-pressurized axle where ¼" nylon D.O.T. brake line tubing is plumbed through the top of the axle and connected to the push to connect fitting on the end of the axle plug.

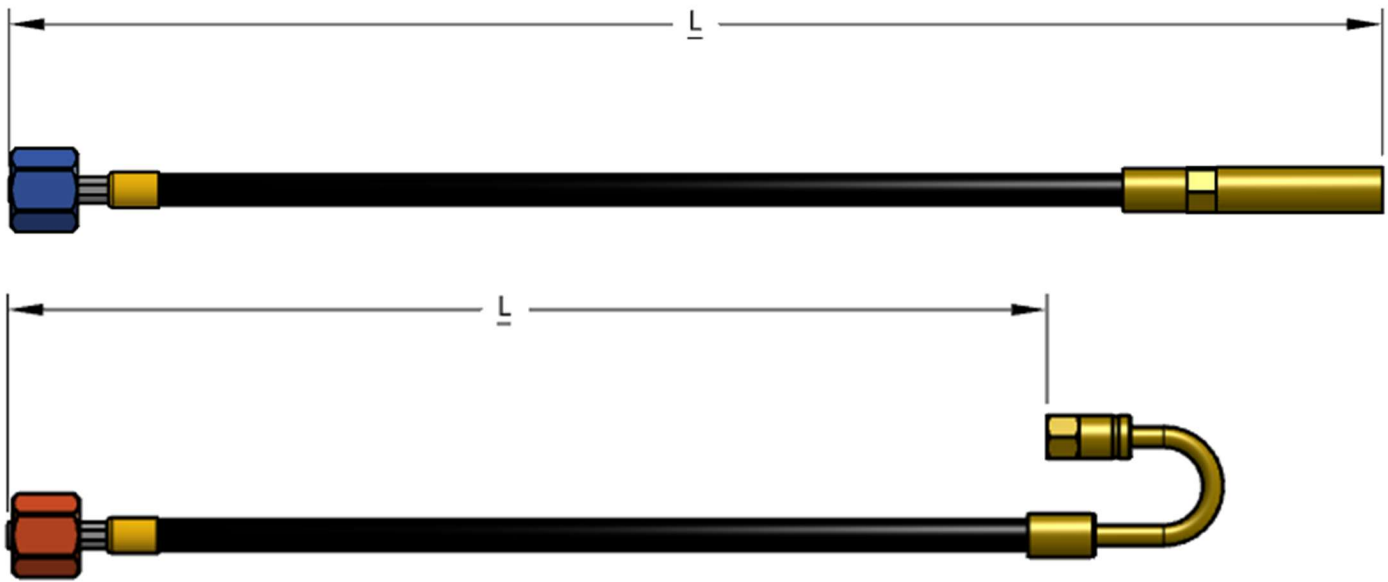


Part Number	SPINDLE TYPE
100013	"N" - Tapered (1.75" ID)
100012	"P" - Parallel (2.75" ID)

Polypack Replacement Kit

100165 – Includes one polypack seal, washer and retaining ring. For use with all axle plugs.

Dynamic Hoses



Single Dynamic Hoses for use with Dynamic Rotary Unions with Integrated TPMS

Part Number	Rim Size	Wheel Style	Wheel Material	Position	Fitting	Length 'L'
100298	22.5"	Dual	Steel	Inner	Straight	16.5"
100299	22.5"	Dual	Steel	Outer	180°	11.5"
100370	22.5"	Super Single	Steel or Aluminum	(Inner)	Straight	11.5"

Hose kits for use with Dynamic Rotary Unions with Integrated TPMS

Part Number	Rim Size	Wheel Style	Wheel Material	Axle Count	Kit Contents
100304	22.5"	Dual	Steel or Aluminum	1	100298 (2) & 100299 (2)
100300	22.5"	Dual	Steel or Aluminum	2	100298 (4) & 100299 (4)
	22.5"	Super Single	Steel or Aluminum	1	100370 (4)
100371	22.5"	Super Single	Steel or Aluminum	2	

Note: Some older systems may use an external TPMS sensor mounted on a tee. Contact Drōv Sales for replacement part information.

Standard Inflate System

Drov Mechanical System Configurator

Product Group	SI- 1- C- DD- E- FFF- G- H- III
Axle ID	Standard Inflation 0- No Axle plugs required 1- 1.75" Expansion Plug (for Tapered Spindles) 2- 2.75" Expansion Plug (for Parallel Spindles) 3- 1.75" Tolerance Ring Plug (for Tapered Spindles) 4- 2.75" Tolerance Ring Plug (for Parallel Spindles) 5- 1.75" Non-Pressurized Plug (for Tapered Spindles) 6- 2.75" Non-Pressurized Plug (for Parallel Spindles)
Axle Count	0- No wheel end hardware required 1- Single Axle 2- Tandem Axle 3- Triple Axle ¹ 4- Quad Axle ¹ 5- Penta Axle ¹
Hubcap & Lubrication	00- No wheel end hardware required 11- Grease Threaded 15- Grease 5 1/2" Bolt Diameter 16- Grease 6 3/4" Bolt Diameter 21- Oil Threaded 25- Oil 5 1/2" Bolt Diameter 26- Oil 6 3/4" Bolt Diameter
Tire Size and Configuration	0- No wheel end hardware required 1- 17.5/19.5" Dual 2- 22.5"/24.5" Dual 3- Wide Base/Super Single
Tire Pressure	PSI- Desired setpoint, 070 thru 120
Installation Kit	0- No accessories 1- Short Trailer Installation Accessory Kit ² 2- Long Trailer Installation Accessory Kit ³
Packaging	0- Standard - Complete unit(s) packed together 1- Bulk - Individual parts packed together

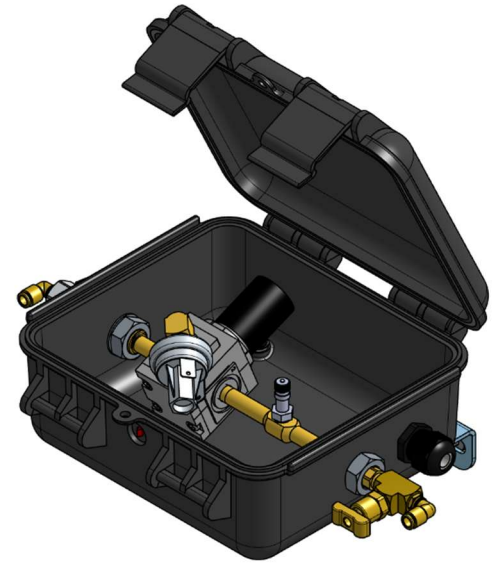
1) For 28' Trailers. Includes: White Indicator Light, Wiring, 5-Pin ABS Splitter, Pnuematic Tubing

2) For trailers over 28'. Includes: White Indicator Light, Wiring, 5-Pin ABS Splitter, Pnuematic Tubing

SI Control Box

- Low pressure drift over time
- Reliable set point
- Locking tab to prevent tampering
- Pressure transducer for low pressure alert
- 70-120psi set point range

100000 – ¼" Push-to-connect fittings



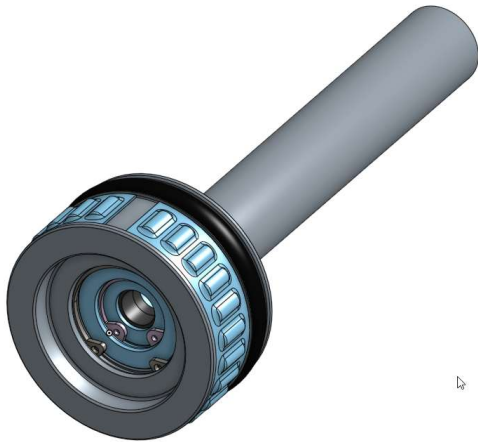
SI Axle Plugs

All Dröv axle plug have a replaceable polypack seal that seals against the stator shaft of the rotary union.

The SI system utilizes a pressurized axle. The axle plugs have a filter element at the end of the tube to prevent debris from entering the system.

Tolerance Ring: Installed w/ driver and hammer

Expanding: Installed w/ impact socket



PART NUMBER	STYLE	SPINDLE TYPE
100020	Tolerance Ring	"N" - Tapered (1.75" ID)
100019	Tolerance Ring	"P" - Parallel (2.75" ID)
100007	Expanding	"P" - Parallel (2.75" ID)

Polypack Replacement Kit

100165 – Includes one polypack seal, washer and retaining ring. For use with all axle plugs.

Accessories

Part number	Description	100010	100017
300039	WIRE, 35FT, DUPLEX	1	-
300040	WIRE, 60FT, DUPLEX	-	1
400078	LIGHT, WHITE LED, ROUND DOT	1	1
400051	SPLITTER, ABS POWER, 5PIN	1	1
300041	TUBING 35FT, ¼" NYLON, D.O.T., BLACK	1	1
400084	CONNECTOR, SPADE, FEMALE, 22-16AWG	2	2
400085	CONNECTOR, .180 BULLET, 22-16AWG, FEMALE	2	2
400086	CONNECTOR, BUTT, 22-16AWG	2	2
400087	CONNECTOR, .180 BULLET, 22-16AWG, MALE	2	2
100006	PRESSURE PROTECTION VALVE, 3/8" NPT TO 1/4" AIRLINE	1	1
100253	PRESSURE PROTECTION VALVE, 3/8" NPT TO 3/8" AIRLINE	-	-

SI Installation Accessory Kits

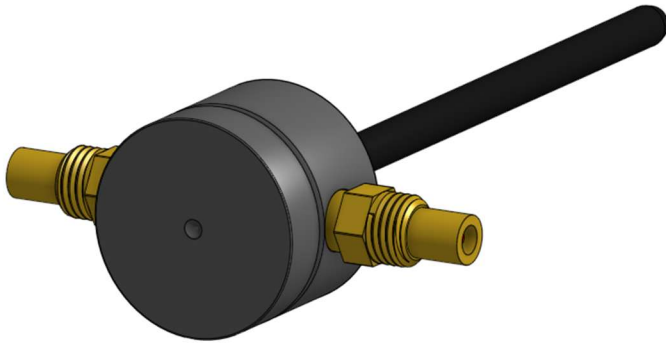
100010 – Kit, installation accessory, 28' van

100017 – kit, installation accessory, 53' van

100105 – kit, SI tandem, 1.75" AP and long install accs
Qty 1 of 100017 and Qty 4 of 100008 axle plugs

100106 – kit, SI tandem, 2.75" AP and long install accs
Qty 1 of 100017 and Qty 4 of 100007 axle plugs

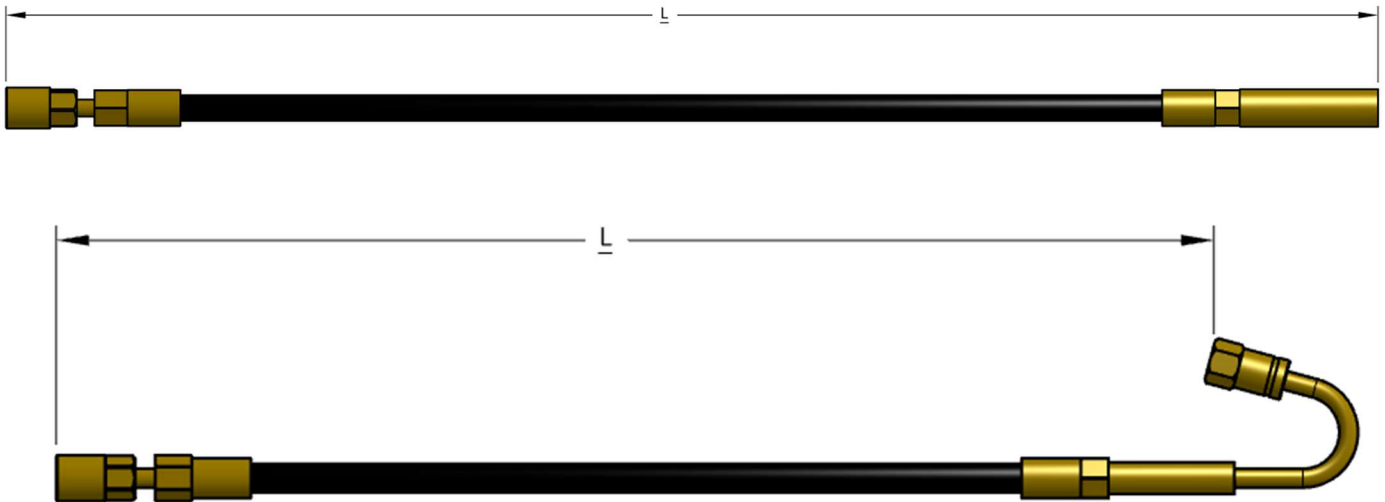
SI Rotary Unions



Custom colors and logos available.

Part Number	Color
100005	Black
100023	Blue

SI Hoses



Part Number	Rim Size	Wheel Style	Wheel Material	Position	Fitting	Length 'L'
100003	22.5"	Dual	Steel	Inner	Straight	16.75"
100004	22.5"	Dual	Steel	Outer	180°	13.75"

Hub Caps

All hub caps are supplied with a gasket and mounting bolts. An additional thermbolt can be added by appending '-T' to the end of the part number, for example '400609-T'.

SPINDLE TYPE	BOLT DIA.	LUBE TYPE	DUAL-DYNAMICS ALUMINUM	STEMCO ALUMINUM	SKF COMPOSITE
"N" - Tapered (1.75" ID)	5 ½"	Oil	400609* (207-P6)	400214 (343-4370)	400XXX (1945)
		Grease	400607* (401-G6)	400698 (340-4370)	400XXX (1443)
"P" – Parallel (2.75" ID)	6 ¾"	Oil	400610* (260-P6)	400700** (343-4372)	400663 (1996)
		Grease	400608* (456-G6)	400699** (340-4372)	400519 (1499)

*Dual Dynamics are NOT compatible with the Drōv Dynamic Rotary Union

**Aluminum SKF and Stemco hubcaps are not compatible with Hendrickson wheel ends.

Thermbolt – 400048 – Do not exceed 14 ft-lbs of torque during installation. Red indicator pops out when hub temperature exceeds 250°F