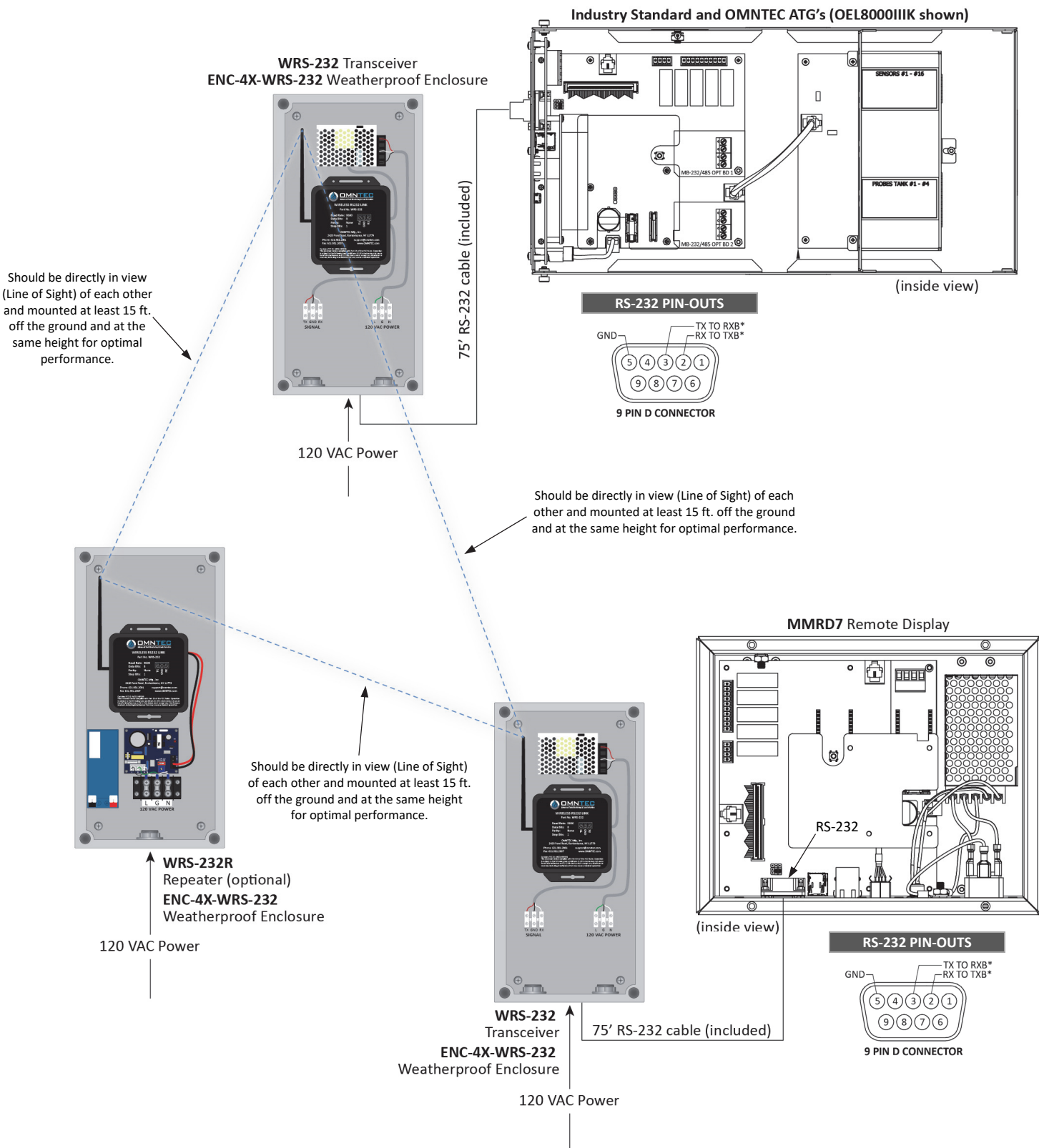


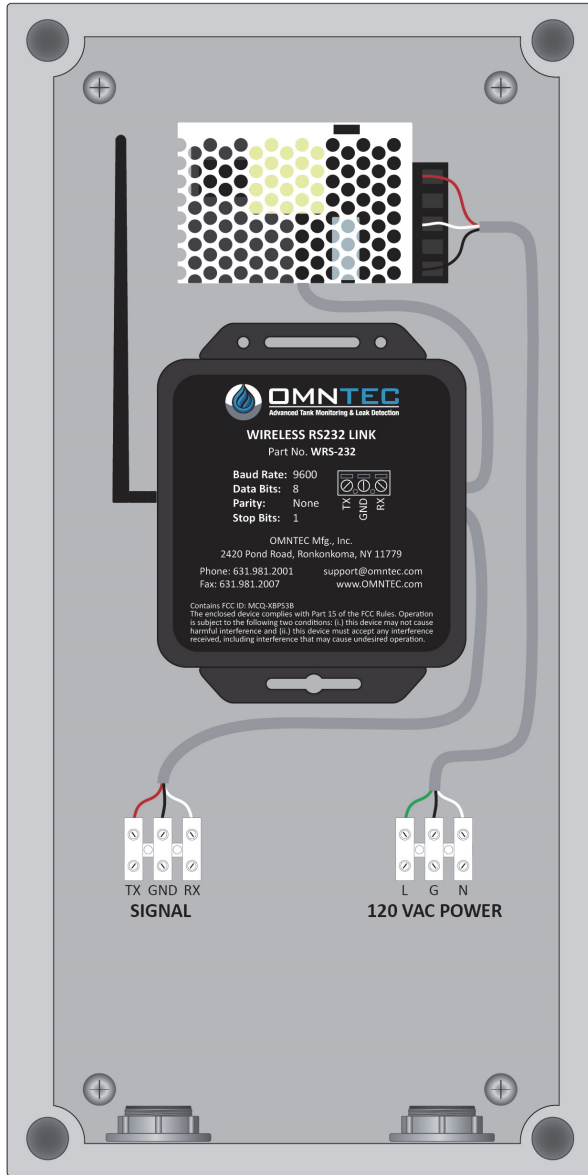
MMRD7 WITH WRS-232 RS-232 WIRELESS DIAGRAM FOR OUTDOORS



*WRS-232R repeaters needed for distances greater than 500' or WRS-232XR for distances up to one mile.

WRS-232/WRS-232R INSIDE ENC-4X-WRS-232 (FACTORY ASSEMBLED)
INTERNAL WIRING

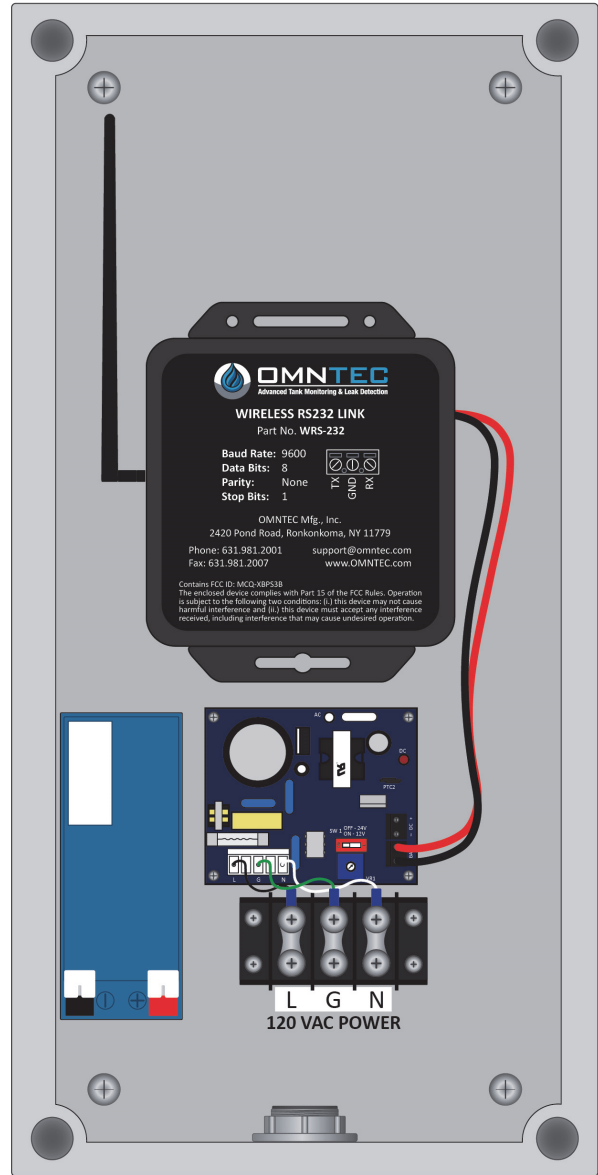
WRS-232 Transceiver
inside **ENC-4X-WRS-232** Enclosure
(Same for ATG and Mini-Me Transceivers)



SIGNAL INPUT 120 VAC POWER INPUT

WRS-232 TRANSCEIVER SIGNAL	
TX	RED
GND	BLACK
RX	WHITE
WRS-232 TRANSCEIVER 120 VAC POWER	
L (LINE)	RED
G (GROUND)	BLACK
N (NEUTRAL)	WHITE

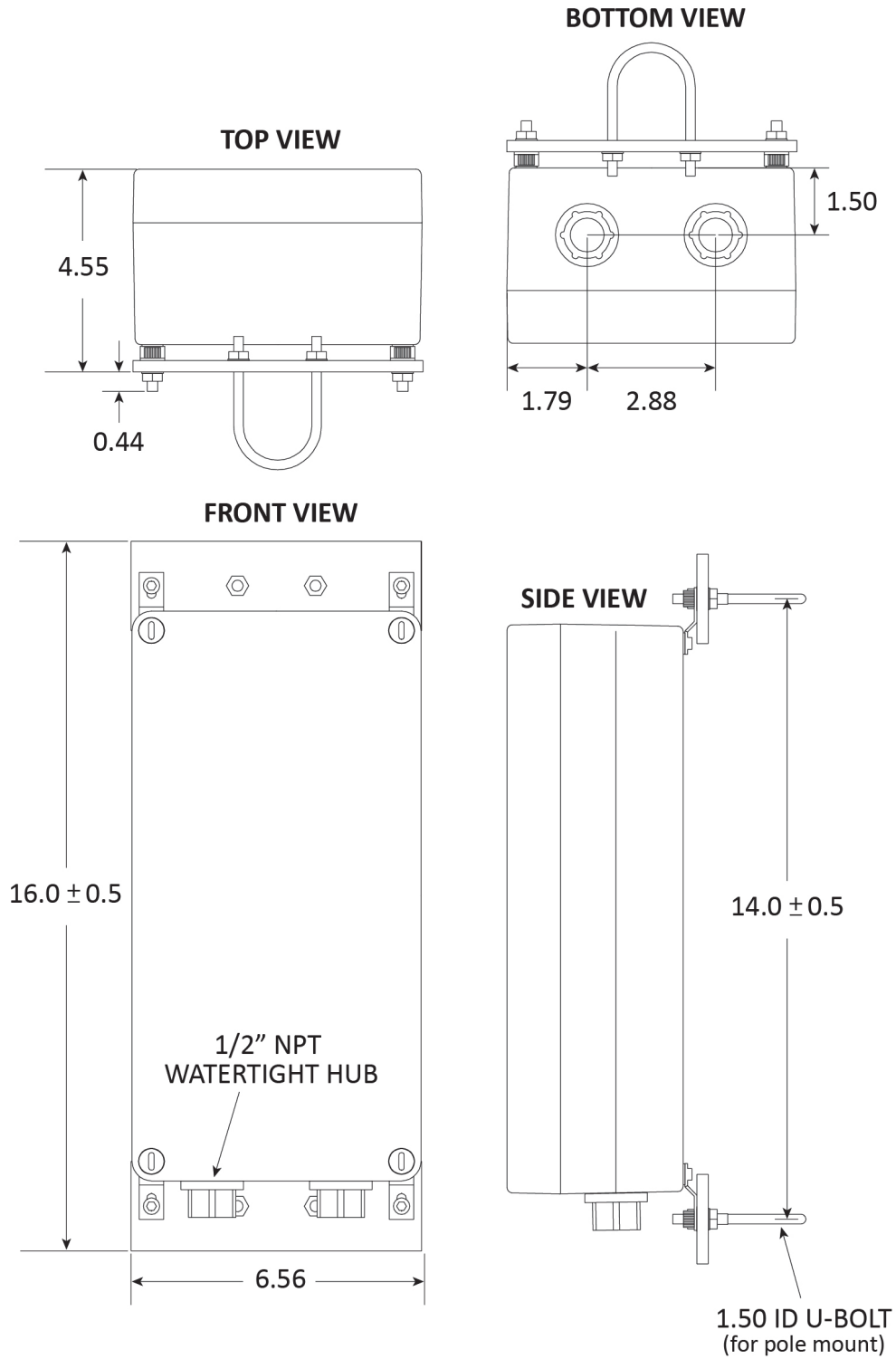
WRS-232R Repeater
inside **ENC-4X-WRS-232** Enclosure
(Optional)



120 VAC POWER INPUT

WRS-232R REPEATER 120 VAC POWER	
L (LINE)	BLACK
G (GROUND)	GREEN
N (NEUTRAL)	WHITE

ENC-4X-WRS-232 ENCLOSURE DIMENSIONS AND MOUNTING



Note: All dimensions shown in inches.