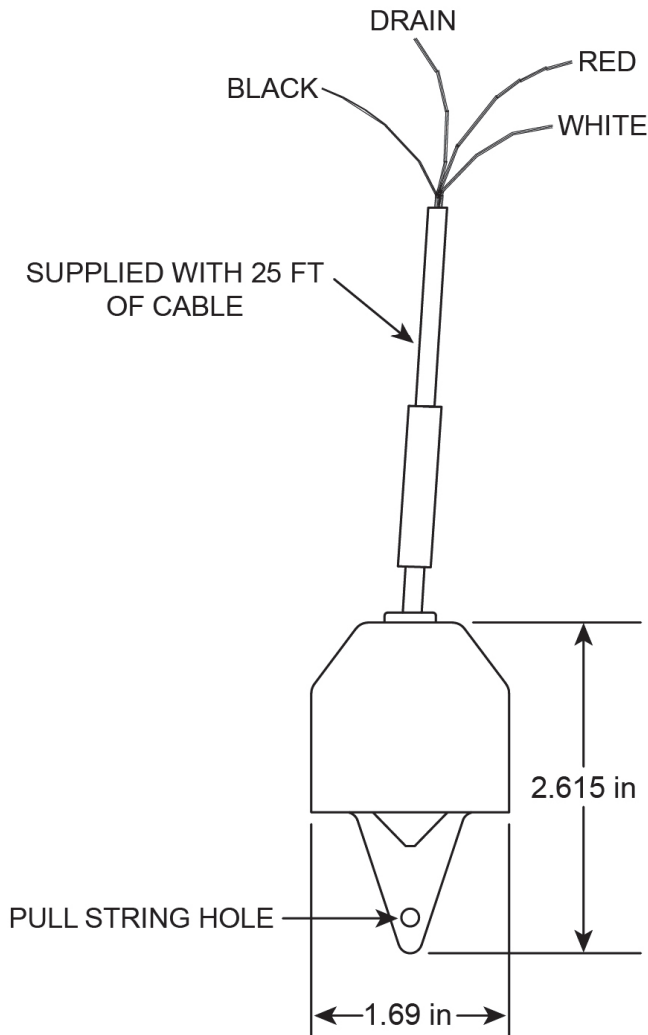
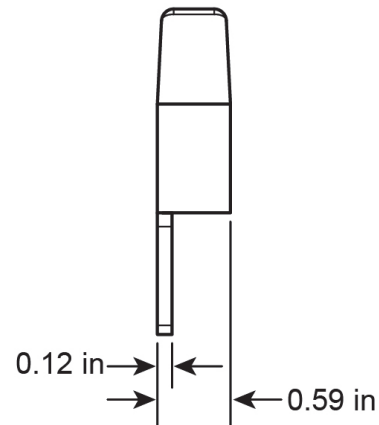
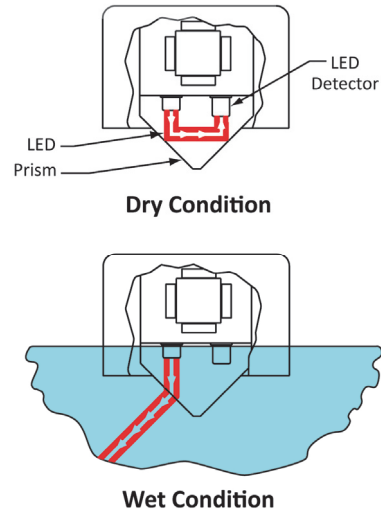


LWF-PS SENSOR

NON-PRODUCT DISTINGUISHING PULL STRING SENSOR FOR DRY INTERSTITIAL OF FIBERGLASS TANKS



PRINCIPLES OF OPERATION



LWF-PS SPECIFICATIONS

OPERATING TEMPERATURE

-40° to 70° C

POWER

2 VDC @ 13 mA

WEIGHT

2 pounds

PRINCIPLES OF OPERATION

LIQUIDS (ex: fuel, water) – Photo optic

DRY CONDITION – Normally closed light beam

ALARM CONDITION – Opens (refracts) normally closed light beam

SENSOR CABLE

Shielded 22 AWG UL-E118830 CM

Maximum length 2000 feet

RESPONSE TIME

Immediate