

COMMANDER

LIGHT BARS

C12029A

1132mm Red Light Bar with Controller User Manual

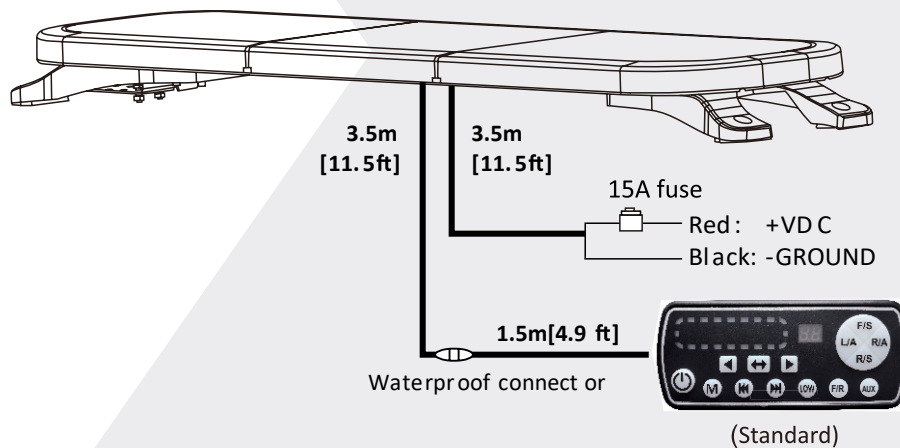
Light Bar Mounting

The Light Bar's aluminium base has lengthwise channels to suit 10mm coach bolts. (Included)
The nylon Mounting Feet may be positioned at any position along the mounting channels.
The Mounting Feet are pre-drilled at 75mm centres to align with the lengthwise channels.
Light Bar Dimensions: 1132mm L x 210mm W x 40mm H.

Controller Mounting

The controller may be positioned almost anywhere in a vehicle via double sided adhesive tape or fastened to the mounting bracket provided.
Controller Dimensions: 145mm L x 65mm W x 20mm H.

Vehicle Wiring



Flash Patterns

| | | | | | |
|----|-----------------------------------|----|-----------------------------|----|---------------------------|
| 1 | Cycle | 11 | Eight half to half | 21 | CCW constant flash |
| 2 | Single flash (ECE R65/SAE) | 12 | One-One Single flash - slow | 22 | Center-Out |
| 3 | Double flash (ECE R65/SAE) | 13 | One-One Single flash - fast | 23 | Left arrowstick |
| 4 | Triple flash (ECE R65/SAE) | 14 | One-One eight flash - slow | 24 | Right arrowstick |
| 5 | Quad flash (ECE R65/SAE) | 15 | One-One eight flash - fast | 25 | Middle to side arrowstick |
| 6 | Eight flash | 16 | In out -slow | 26 | Night ride |
| 7 | Single half to half (ECE R65/SAE) | 17 | In out -fast | 27 | Left half single flash |
| 8 | Double half to half (ECE R65/SAE) | 18 | CW Rotation | 28 | Right half single flash |
| 9 | Triple half to half (ECE R65/SAE) | 19 | CCW Rotation | 29 | Steady on |
| 10 | Quad half to half (ECE R65/SAE) | 20 | CW constant flash | | |

COMMANDER

LIGHT BARS

Controller Functions



| Button | Function |
|--------|---------------------------|
| | Power ON and OFF |
| | Flash Pattern ON/OFF |
| | PREVIOUS flash pattern |
| | NEXT flash pattern |
| | Low Power Mode |
| | Front Light or Rear Light |
| | Steady On |

| Button | Function |
|--------|------------------------------|
| | Left direction |
| | Middle to side direction |
| | Right direction |
| | Left Alley Light (n/a) |
| | Right Alley Light (n/a) |
| | Front Take Down Lights (n/a) |
| | Rear Take Down Lights (n/a) |

Specifications

| | |
|-----------------------|------------------------------------------------------------------------------------------------------------------------------------------------|
| Mounting | Upright mounting. Mounting feet are pre-drilled at 75mm centres aligning to longitudinal mounting channels in the base. |
| Voltage | Multi Voltage: 9-30V DC |
| Power Consumption | 20W (1.66A@12V / 0.83A@24V) |
| Dimensions | 1132mm L x 210mm W x 40mm H (without mounting feet) |
| Operating Temperature | -30° to +60°C |
| Materials | Die-cast aluminium base. Nylon mounting feet. UV and impact resistant Polycarbonate lens |
| Protections | Reverse Polarity, Voltage and Current Spike protected. IP 65: Dust and high-pressure cleaning protected. RFI/EMC interference protected. |
| Cable | 4.5M heavy duty insulated light bar power cable 4.5M signal cable (Light Bar to Controller). |
| Compliance | ECE R65 TA2/TB2/TR1, ECE R10 CISPR 25 Class 3 certified |
| Warranty | 3 Year Warranty |