



MyGlassTruck



VICTORY



Installation Instructions for

Ford Transit Glass Rack

MyGlassTruck.com

(856) 595-9069

Thank You for Choosing MyGlassTruck | America's Glass Rack Leader

This document's purpose is to provide a qualified installer with the steps necessary to perform a safe and correct installation. Before beginning installation read this guide and all other instructions provided by MyGlassTruck.com, third party component providers and vehicle providers to ensure you are familiar with the installation procedure, rack and vehicle. If you have questions, please call MyGlassTruck.com at (856) 595-9069. Our qualified personnel will gladly provide answers.

Caution

Victory Truck Body, Inc., parent company of MyGlassTruck.com, has provided within this document detailed installation instructions for the installer of the aluminum van rack provided by MyGlassTruck.com. Failure to follow these instructions or failure to follow safe shop and workplace practices could result in injury or death of the installer or end user of this equipment. PLEASE read this instruction manual thoroughly before beginning the installation process. If you do not understand any step or procedure that is outlined in the manual, immediately call the Victory Truck Body, Inc. engineering department at (856) 595-9069. Hours of operation are 8 am to 5 pm EST, Monday through Friday.

DO NOT PROCEED WITH ANY INSTALLATION PROCEDURE IF YOU ARE NOT CERTAIN OF ITS CONTENT, INTENTION AND DESCRIPTION.

Important

When installed, this glass rack and any other components must not alter or prevent vehicle compliance to existing state or federal standards. The finished rack and vehicle should comply with all vehicle manufacturer guidelines.

Do This Before You Start

Before beginning installation, please review this manual and locate each hardware bag and component of your rack. The number of hardware bags varies based on whether the rack is mounted to our roof rack or using the bolt through channel. If anything is missing or you have questions please call (856) 595-9069. We will be happy to assist

T-1 Underbody Mounts

Item:	Size:	Qty:
Hex Bolt Stainless	3/8" x 1-1/2"	6
Hex Bolt Stainless	3/8" x 4"	2
Hex Bolt Stainless	3/8" x 4-1/2"	2
Hex Bolt Stainless	3/8" x 5"	4
Washer	3/8"	24
Stainless Steel Fender Washer	1-1/2"	24

T-2 Transit Roof Rack Adapter Kit

Item:	Size:	Qty:
5" Strut Channel		8
Hex Bolts	5/16" x 7/8"	16
Lock Washers	5/16"	16
8 mm Socket Head Bolts		8
Fender Washer		8
Rubber Fender Washer		8
Strut Nut w/ Spring		16

V-2 Mounting with Bolt-Through Channel

Item:	Size:	Qty:
Hex Bolt Stainless	3/8" x 2"	5
Hex Bolt Stainless	3/8" x 1"	4
Nylock Nut	3/8"	9
Stainless Fender Washer	3/8" x 1-1/2"	10
Flat Washer Stainless	3/8"	18

V-8 Mounting with Roof Rack

Item:	Size:	Qty:
Hex Bolts Stainless	5/16" x 2-1/4"	16
Flat Washers Stainless	5/16"	32

V-10 Attaching Rack to Roof Mounts

Item:	Size:	Qty:
Hex Bolts Stainless	3/8" x 2-1/2"	4
Flat Washers Stainless	3/8"	8

V-11 Roof Rack Hooks

Item:	Size:	Qty:
Hex Bolt Stainless	3/8" x 1"	8
Flat Washers Stainless	3/8"	8
Nylock Nut	3/8"	8

V-12 Front Stop

Item:	Size:	Qty:
Hex Bolt	1/4" x 2-1/2"	3
Flat Washer	1/4"	6

V-13 Optional Roller Bar

Item:	Size:	Qty:
Hex Bolt Stainless	3/8" x 1"	8
Flat Washer Stainless	3/8"	16

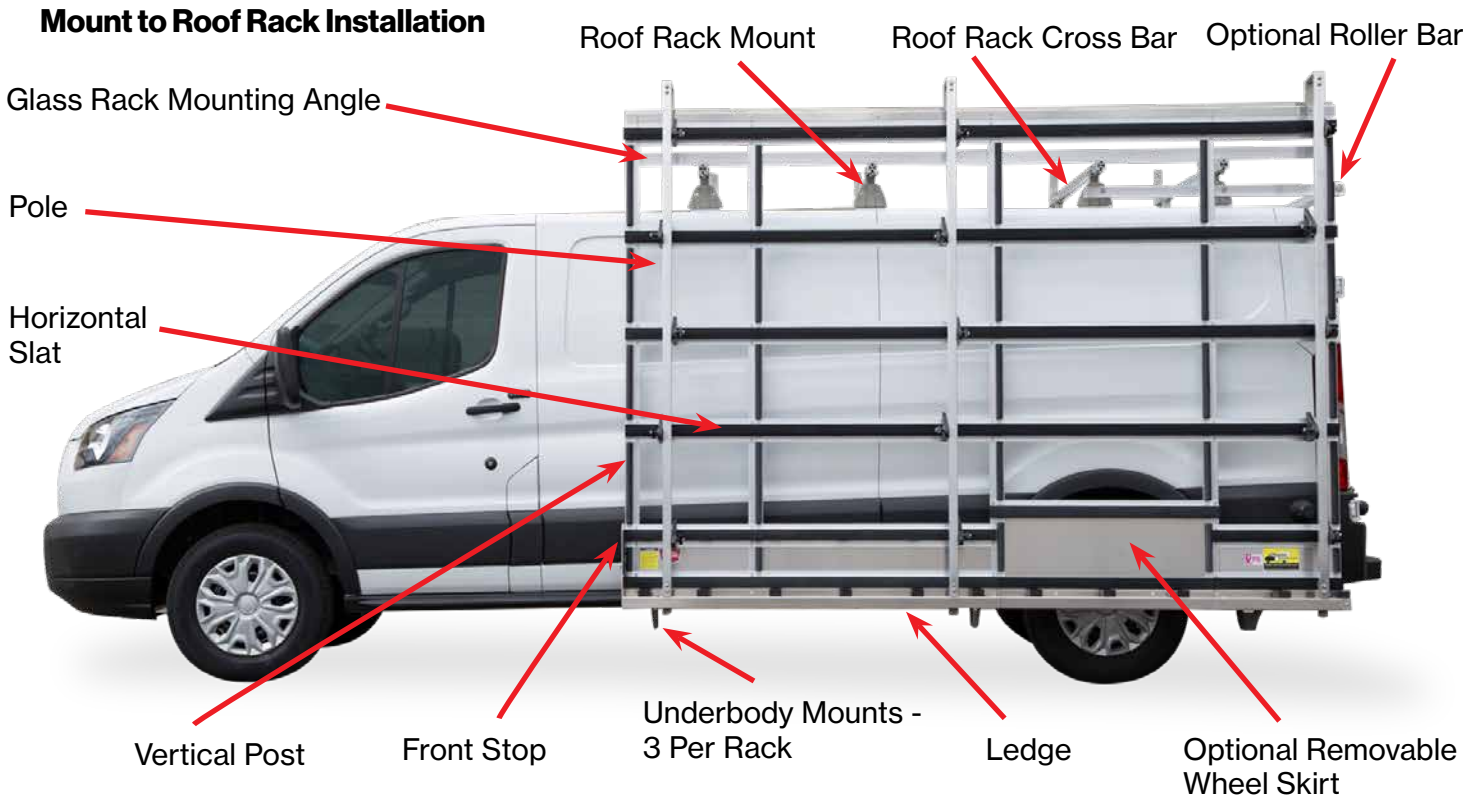
Tools Required

7/16", 1/2", 9/16" Wrenches and Sockets
3/4" Wrenches (x2)
8 mm Hex Socket
Socket Wrench
Cordless Electric or Pneumatic Impact Gun
Caulk Gun
Drill with 3/8" & 5/16" Bits
Vise-Grip-Style Clamps
Plastic Scraper

TABLE OF CONTENTS

Section 1	Become Familiar with Your Glass Rack	Page 5
Section 2	Installing Glass Rack with Roof Rack Mounts	Page 6
Section 3	Installing Glass Rack without a Roof Rack	Page 15
Section 4	Install Underbody Mounts & Attach Bottom of Rack	Page 19
Section 5	Install Front Stop	Page 23
Section 6	Install Optional Rear Roller Bar	Page 24
Section 7	Assemble Poles	Page 25
Section 8	Warranty Information	Page 26
Section 9	Notes	Page 27
Section 10	Final Inspection Check List/Warnings	Page 28

BECOME FAMILIAR WITH YOUR GLASS RACK



Depending on wheelbase, the roof of the Transit van will have six (6) or eight (8) protective rubber plugs covering the mounting points for the 5" strut channels from the roof rack adapter kit T-2. You will remove them in step 2.

STEP 1- LOCATE PARTS AND HARDWARE



IF YOU ARE INSTALLING A GLASS RACK WITHOUT A ROOF RACK PLEASE SKIP TO SECTION 3.

ROOF RACK PARTS

A. Roof Rack Mounts

130" Wheelbase: (6)

148" Wheelbase: (8)

B. 75" Crossbars

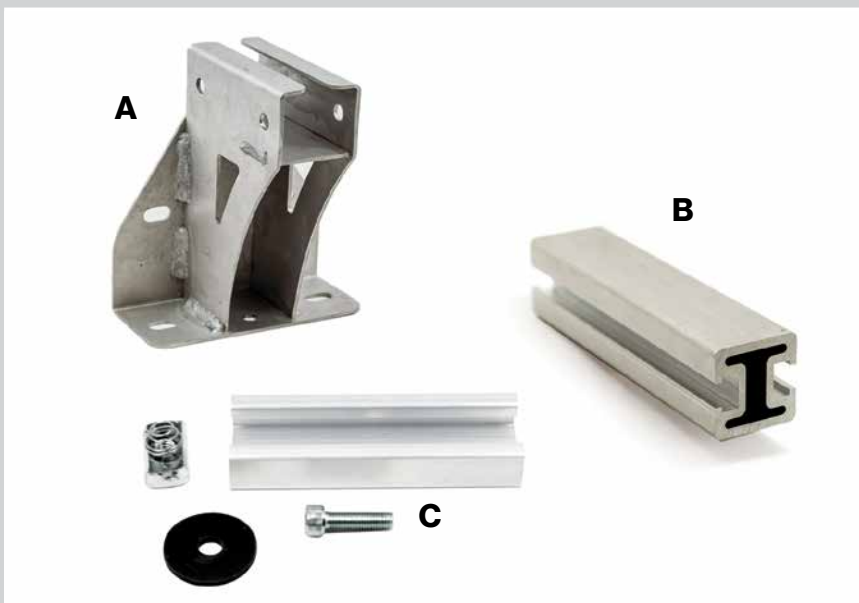
130" Wheelbase: (3)

148" Wheelbase: (4)

C. T-2 Hardware Kit

D. V-8 Hardware Kit (Not Shown)

E. V-10 Hardware Kit (Not Shown)



T-2 Transit Roof Rack Adapter Kit

Item:	Size:	Qty:
5" Strut Channel		8
Hex Bolts	5/16" x 7/8"	16
Lock Washers	5/16"	16
8 mm Socket Head Bolts		8
Fender Washer		8
Rubber Fender Washer		8
Strut Nut w/ Spring		16

STEP 1- LOCATE PARTS AND HARDWARE

V-8 Mounting with Roof Rack

Item:	Size:	Qty:
Hex Bolts Stainless	5/16" x 2-1/4"	16
Flat Washers Stainless	5/16"	32

V-10 Attaching Rack to Roof Mounts

Item:	Size:	Qty:
Hex Bolts Stainless	3/8" x 2-1/2"	4
Flat Washers Stainless	3/8"	8

**Roof Rack
Crossbar
attached to mounts.**



STEP 2-INSTALLING ROOF RACK ADAPTER

Locate mounting points on the roof of your Transit (Refer to Page 3). There will be rubber plugs covering the roof rack mounting holes.



1. Carefully remove rubber plugs for the openings.



2. Place a bead of caulk around each opening.



3. Assemble the 8 mm bolt, lock washer and washer and put through the pre-drilled hole in the mounting track.



4. Place rubber fender washer over bead of caulk around each opening. Put a few drops of red Lok-Tite thread locker on the 8 mm bolt threads.



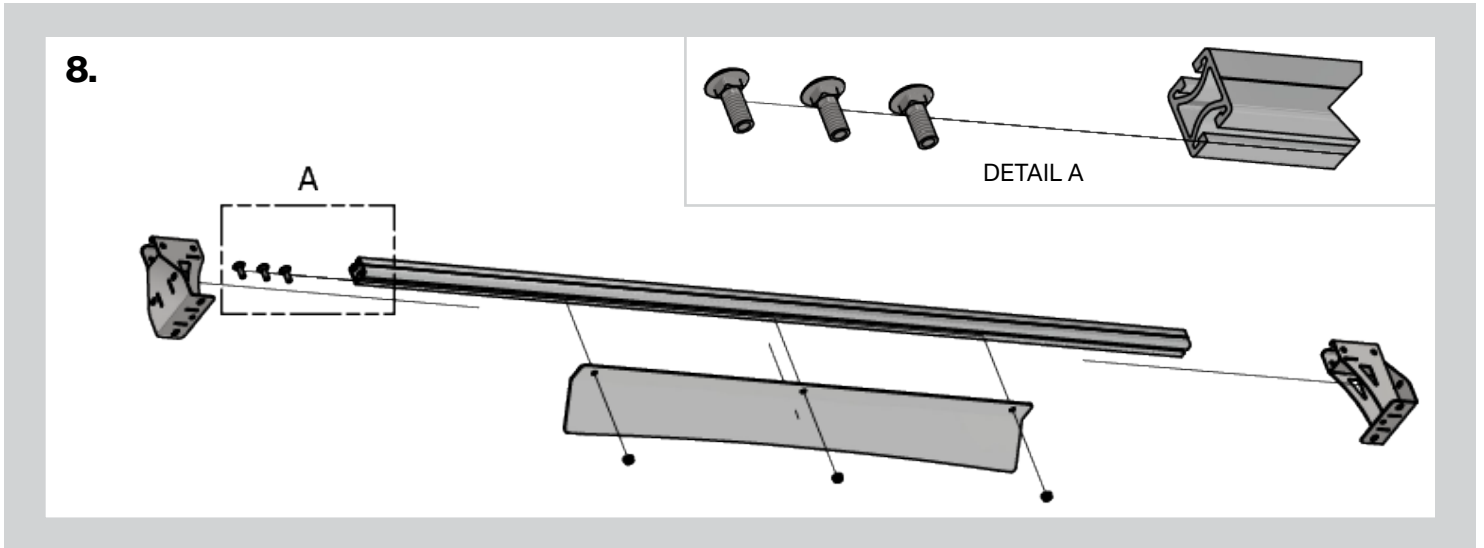
5. Secure mounting track to van roof. Place a generous bead of caulk around bolt head and washer (not shown).



6. Press strut nuts with springs into track and twist 90 degrees to lock.



7. Repeat procedure for all mounting points.



8. Install Wind Deflector: Install (3) 3/8" - 1" carriage bolts into bottom of crossbar.

NOTE: Wind deflector is installed on forward most crossbar only.



9. Loosely secure roof rack mounts to adaptor using 5/16" x 7/8" bolts with washers and lock washers. Do not tighten bolts fully until crossbars are in their final position.

STEP 3- ROOF RACK SETUP



10. Slide 75" crossbars through openings of roof rack mounts so they protrude evenly on either side of the roof mounts.

(Detailed view of Step 9.)



11. Using the predrilled holes in the mounts as a guide, drill 5/16" holes through the crossbars.



12. NOTE: Do not tighten bolts fully until crossbars are in final position.



TIGHTEN ALL HARDWARE

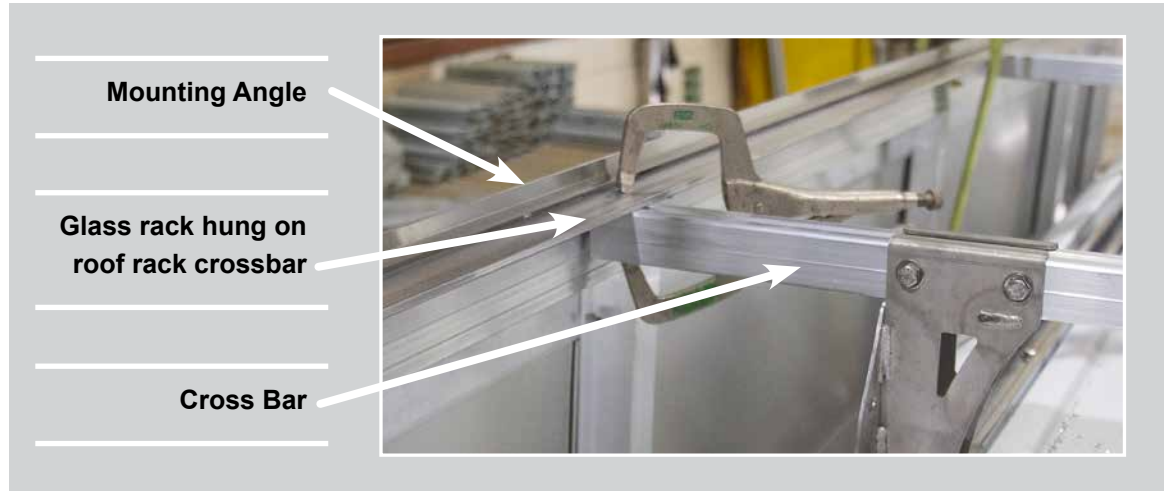
1. Make sure bolts from roof rack mounts to roof rack adaptors are tightened
2. Tighten bolts from roof rack mounts to cross bar

STEP 4A- ATTACH GLASS RACK TO ROOF RACK CROSS-BARS (84" & 96" RACKS)

NOTE: If installing a Drop-Down Bracket on 90" Rack, refer to Step 4B, on page 12.

Hang the rack on the crossbars with the mounting angle that is attached to the back of the glass rack.

Drill $3/8"$ holes through the angle and the crossbar, be sure to drill through the center of the angle on the back of the glass rack. Bolt the rack to the cross bars using $3/8" \times 2-1/2"$ bolt. (Bag V-10 Hardware)



$3/8" \times 2-1/2"$ bolts inserted through mounting angle and roof rack crossbar. Use washer above angle and washer and nut below crossbar.



Drill $3/8"$ Hole Between Angle and Crossbar



Insert Bolts through Mounting Angle and Roof Rack Crossbar



Below Cross Bar View

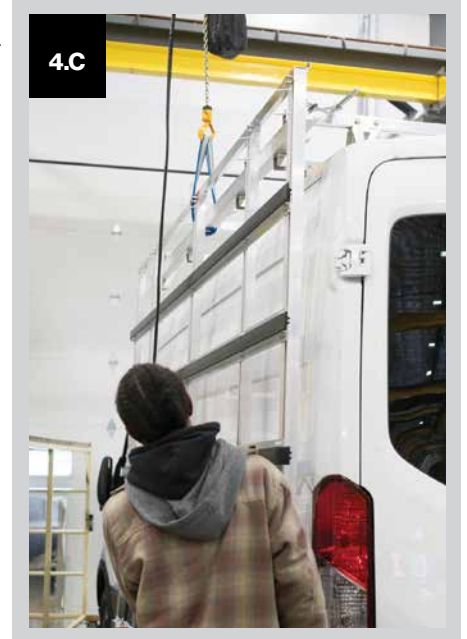
STEP 4B- ATTACH DROP DOWN BRACKET ON 90" RACK

NOTE: If you have a 84" or 96" Rack, refer to Step 4A, on page 11, and ignore this page.

1. Slide Drop-Down Bracket Over Cross Bar. Align flush with the outside edge, ensuring it does not interfere with the van roof.
2. Mark & Drill Crossbar Holes. Use the bracket as a template to drill **two 11/32" holes** through each crossbar.
3. Fasten Bracket to Crossbar. Use **5/16" hardware** and tighten to **20 ft-lbs.**
4. Lower Rack Assembly. Rest the mounting angle on the drop-down brackets.



5. Drill Mounting Angle Holes. Use the bracket as a template, drilling upward with a **13/32" bit (one hole per bracket)**.
6. Secure Rack to Brackets. Use **3/8" hardware** and tighten to **25 ft-lbs.**



STEP 5- SET RACK ANGLE

Set the vertical angle of the glass rack by pivoting the bottom out. There must be a minimum of 1/2" clearance between the rack and van. To prevent rack from touching van place padding between them. The recommended angle is 3-5 degrees.

Tip: Download an app for your smartphone to quickly check the recommended three to five degree angle.



REMEMBER THE RACK AND VEHICLE MUST NOT EXCEED THE LEGAL OVERALL WIDTH OF 102"

STEP 6- ADD END HOOKS TO ROOF RACK CROSS BARS**V-11 Roof Rack Hooks**

Item:	Size:	Qty:
Hex Bolt Stainless	3/8" x 1"	8
Flat Washers Stainless	3/8"	8
Nylock Nut	3/8"	8

L-hooks are packed separately from hardware.

Note: If installing a rack on both sides of van, L-hooks will not be installed.



On the non-rack side of the van, slide the heads of two 3/8" x 1" Hex Bolts into the channel on the underside of the roof rack cross bar. With the longer "ladder keeper" portion of the end hook facing upward, thread the screws through the end-hook's two pre-drilled holes. Slide a 3/8" washer onto each bolt and secure the end hook with two 3/8" lock nuts.

STEP 1- LOCATE PARTS AND HARDWARE

V-2 Mounting with Bolt-Through Channel

Item:	Size:	Qty:
Hex Bolt Stainless	3/8" x 2"	5
Hex Bolt Stainless	3/8" x 1"	4
Nylock Nut	3/8"	9
Stainless Fender Washer	3/8" x 1-1/2"	10
Flat Washer Stainless	3/8"	18

STEP 2- DETERMINE PLACEMENT

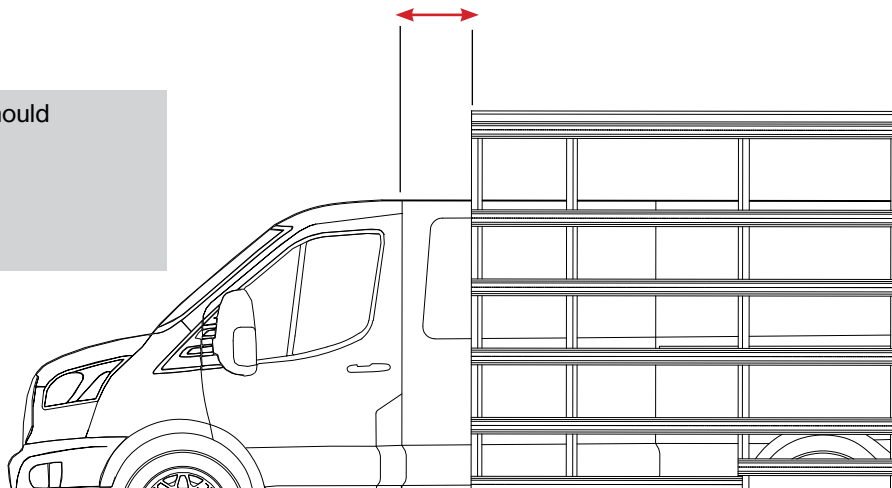
Place the rack up against the side of the vehicle. Use jack stands or wooden blocking to support the rack. Make sure the rack does not interfere with any doors.



Note: Find the front of the rack, identified by the holes where the front stop will go

Note: Top corner of door to front of rack should measure:

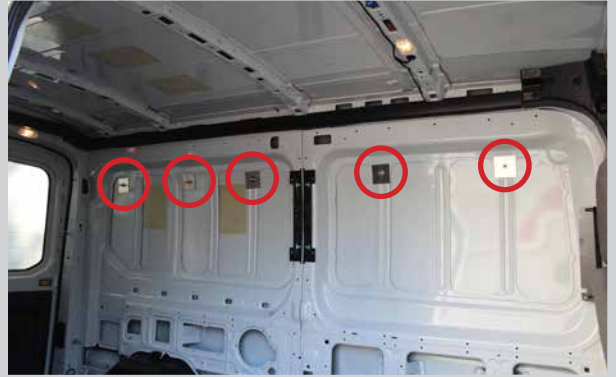
- **10 in.** for 130" wheelbase Transit
- **16 in.** for 148" wheelbase Transit



STEP 3- DRILL MOUNTING HOLES

With the glass rack in a satisfactory position, drill 5 holes through the Transit and the mounting angle. If the Transit is double-walled, remove the inside panel wall for the bolts then reinstall the panel when finished.

**If necessary, remove inside panel to
drill mounting holes.**

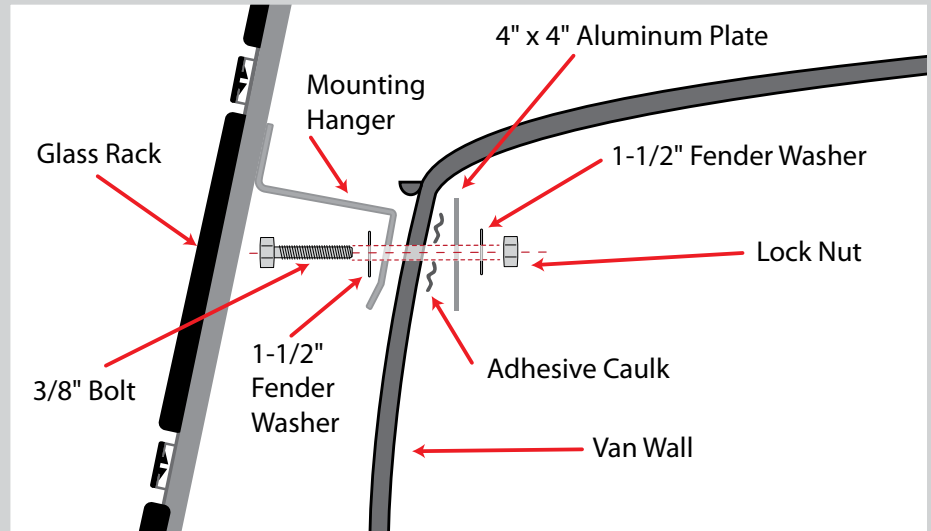


STEP 4- ATTACH RACK TO VAN

Bolt the rack to the van with the 3/8" mounting hardware provided. Be sure to use the 1-1/2" fender washers and locknuts against the body on the inside. A 4" plate may be installed behind fender washer for added load distribution. (See drawing below).

If you would like to add extra reinforcement to the van's wall secure a 4" x 4" aluminum plate on the inside wall with adhesive caulk and drill through it too. This technique will strengthen thinner sheet metal walls utilized on late model vans.

**** Note: Drawing not to scale**



STEP 5- SET RACK ANGLE

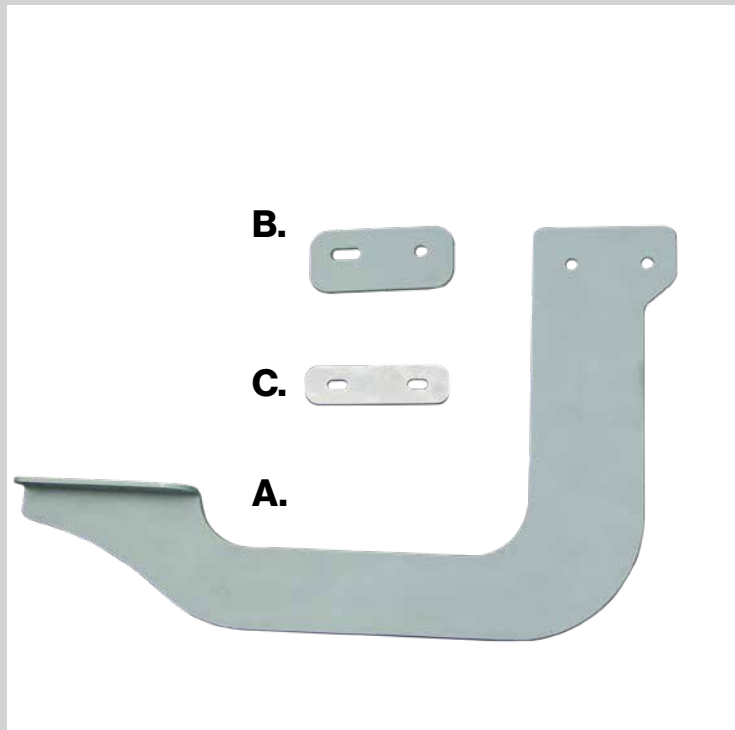
Set the vertical angle of the glass rack by pivoting the bottom out. There must be a minimum of 1/2" clearance between the rack and van. To prevent rack from touching van place padding between them. The recommended angle is 5 degrees.

Tip: Download an app for your smartphone to quickly check the recommended five degree angle.



REMEMBER THE RACK AND VEHICLE MUST NOT EXCEED THE LEGAL OVERALL WIDTH OF 102"

STEP 1- REVIEW PARTS AND HARDWARE



UNDERBODY MOUNT PARTS

- A. Underbody Mounts
- B. Reinforcement Plates
- C. Aluminum Shims
- D. T-1 Hardware Bag
(Not Shown)

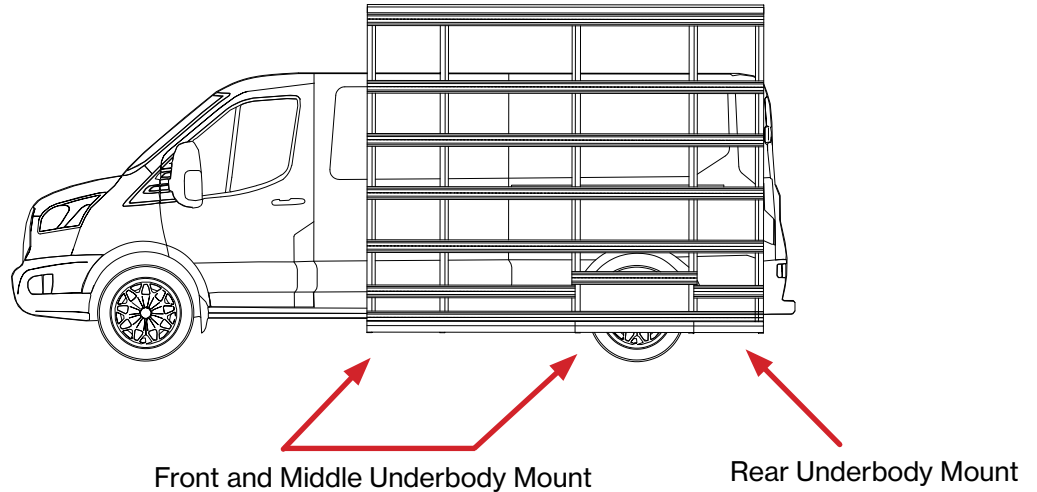
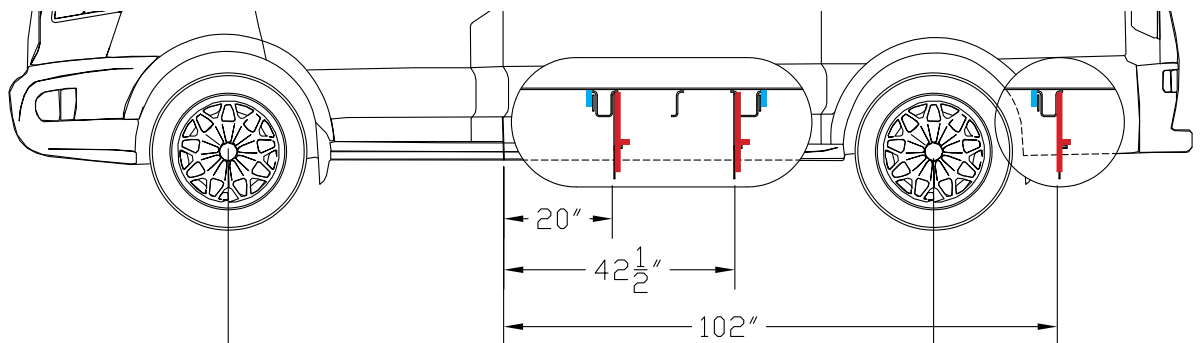
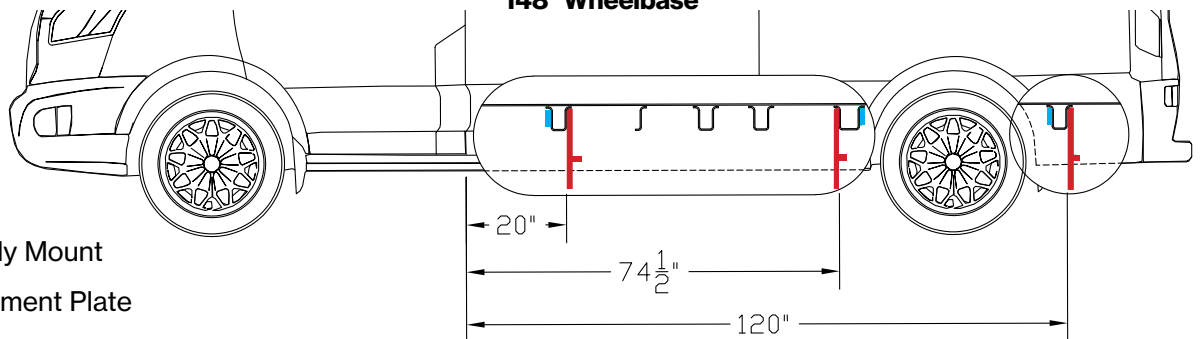
T-1 Underbody Mounts

Item:	Size:	Qty:
Hex Bolt Stainless	3/8" x 1-1/2"	6
Hex Bolt Stainless	3/8" x 4"	2
Hex Bolt Stainless	3/8" x 4-1/2"	2
Hex Bolt Stainless	3/8" x 5"	4
Washer	3/8"	24
Stainless Steel Fender Washer	1-1/2"	24

STEP 2- PLACEMENT OF UNDERBODY MOUNTS

The flat portion of the underbody mount with the pre-drilled holes attaches to the van's chassis/frame. To support the rack, the longer horizontal portion with the flange and pre-drilled slotted holes extends beyond the van's outer wall to the underside of the rack's ledge. An aluminum shim is placed between underbody mount and underside of the rack's ledge.

The diagram below shows placement of the underbody mounts.

**130" Wheelbase****148" Wheelbase**

- Underbody Mount
- Reinforcement Plate

STEP 3- INSTALL UNDERBODY MOUNTS

Attach all underbody mounts to chassis before drilling and mounting to rack ledge.

Installation Procedure for Attaching Underbody Mounts to Chassis

1. The top of the front and middle underbody mounts attach to the horizontal chassis cross bars where they meet the floor and rocker panel along the vans outer wall.
2. Clamp the underbody mount in place. Note: the flat portion of the mount is the top.
3. Before drilling make sure the horizontal portion of the underbody mount is clamped to the underside of the rack's ledge. Be sure the included aluminum shim is between the mount and the ledge.
4. Using the holes in the underbody mounts as a guide, drill two 3/8" holes through the entire chassis cross bar.



5. Place appropriate 4" or 5" bolts with fender washers and washers through the underbody mount and chassis cross bar.

6. Put reinforcement plate over the threaded portion of bolts on other side of chassis cross bar and secure in place with fender washers, washers and nuts. Tighten bolts being careful not to damage cross member.

7. Repeat steps 1 through 6 for installation of middle underbody mount (not shown).

8. Installing the rear underbody mount requires no drilling into the chassis cross-member. The holes are factory drilled.

Follow the previous procedure for clamping the horizontal portion of the underbody mount and shim to the underside of the rack's ledge.

Note: Some Transit vans do not have these holes and you will have to drill them.

9. Slide the bolts through fender washers, washers, the top of the underbody mount, the factory-drilled section of the vehicle's chassis, and the pre-drilled reinforcement plate. Attach fender washers, washers and bolts to the other side and tighten.

Follow the previous procedure for fastening the horizontal portion of the underbody mounts to the underside of the rack's bottom ledge.



SECTION 4

Install Underbody Mounts & Attach Bottom of Rack

STEP 4- ATTACH BOTTOM OF RACK

IMPORTANT: At this point make sure that the rack is flat and not twisted. Adjust clamps from underbody mounts to ledge as needed.

7. Using slotted holes in part of mount underneath the rack's bottom ledge and the aluminum shim as a guide, drill two 3/8" holes through the racks bottom ledge. Be sure not to drill through any ledge blocks.

8. Place 3/8" x 1-1/2" bolts through the rack's bottom ledge and aluminum shim. Place washer and nut onto underside and tighten.

A **DOUBLE-CHECK THAT ALL NUTS AND BOLTS ARE TIGHTENED**



SECTION 5

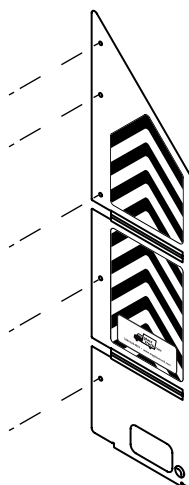
Install Front Stop

STEP 1- INSTALL FRONT STOP

The glass rack front stop is shipped detached from the rack. To attach, bolt the stop directly to the front of the glass rack through the pre-drilled holes using the 2-1/2" x 1/4" bolts provided.

V-12 Front Stop

Item:	Size:	Qty:
Hex Bolt	1/4" x 2-1/2"	3
Flat Washer	1/4"	6

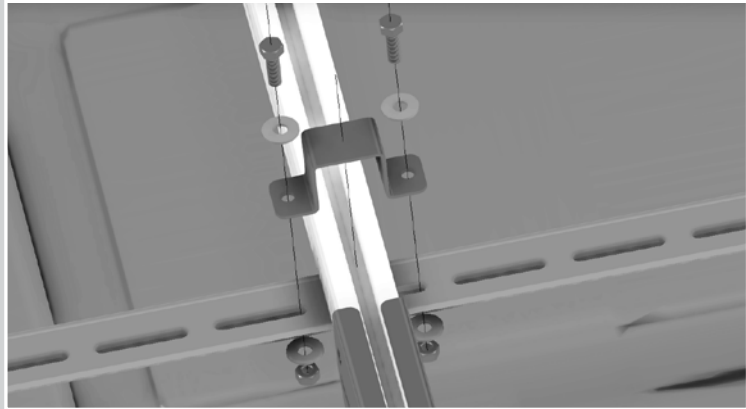


INSTALL OPTIONAL ROLLER-BAR**V-13 Optional Roller Bar**

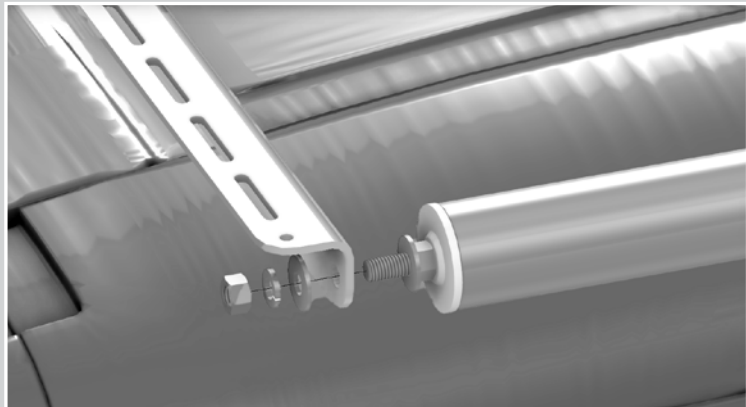
Item:	Size:	Qty:
Hex Bolt Stainless	3/8" x 1"	8
Flat Washer Stainless	3/8"	16

1. Loosely bolt the formed angles with the supplied brackets to the roof rack crossbars.

Ensure where the roller will mount will clear the brake light / camera.



2. Remove the 1/2" nut from threads on each end of roller bar (not shown) and insert threaded ends through 1/2" holes on each angle.



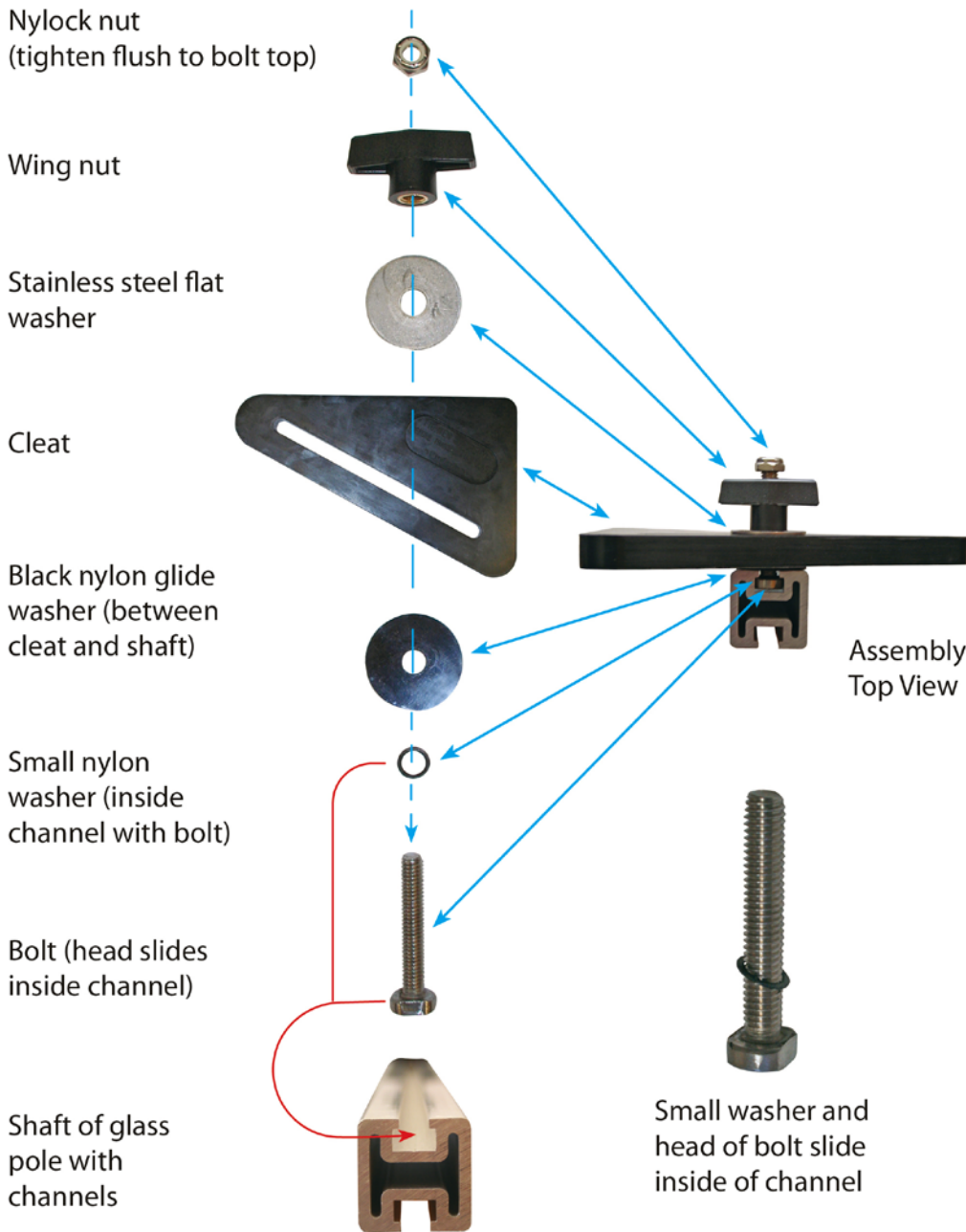
3. Place bolts back onto the threads at each end of the roller bar and tighten all bolts, including bolts holding angles to roof rack mounts.

Check to be sure roller bar spins freely.

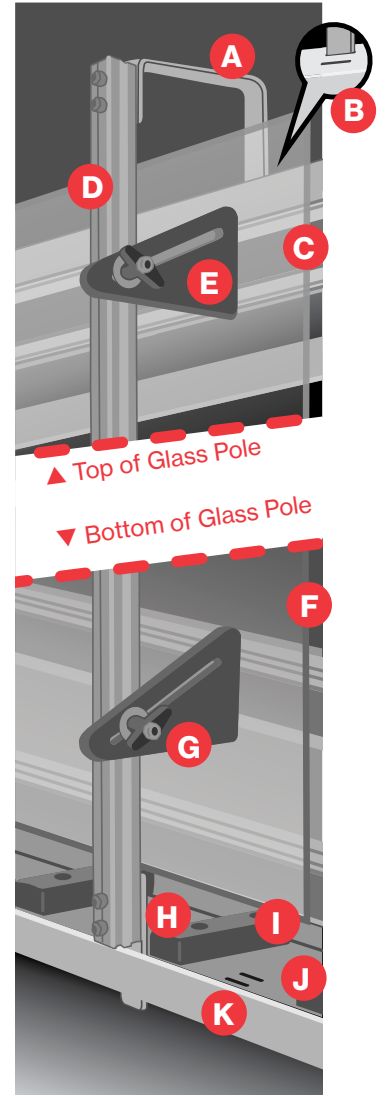


STEP 1- POLE HARDWARE, CLEATS AND COMPONENTS

Slide the head of a stainless steel bolt down the pole's channel. Assemble hardware and cleat as shown. Slide three cleats onto one side of the pole and two onto the other side.



Glass Pole Parts



- A. Pole Top Section
- B. Top Slots - Along top of rack header rail
- C. Rubber Padding
- D. Pole
- E. Cleat
- F. Glass
- G. Wing-Nut
- H. Pole Bottom Section
- I. Bottom Pad
- J. Glass Rack Ledge
- K. Bottom Slots

LIMITED WARRANTY

All products manufactured or sold by Seller are warranted to be free from defects in material and workmanship under normal use and service, when installed, used and serviced in the manner intended for a period of one (1) year.

THIS EXPRESS WARRANTY IS IN LIEU OF AND EXCLUDES ALL OTHER WARRANTIES, WHETHER EXPRESSED, IMPLIED OR STATUTORY INCLUDING IMPLIED WARRANTIES OF MERCHANTABILITY OR FITNESS FOR A PARTICULAR PURPOSE. THIS EXPRESS WARRANTY IS NON-TRANSFERABLE.

LIMITATION OF REMEDIES

Buyer's sole and exclusive remedy against Seller will be limited, at Seller's option, to (i) the repair or replacement by Seller of any nonconforming product for which claim is made by Buyer or (ii) the issuance of a credit for such nonconforming product in accordance with these terms and conditions provided Buyer obtains an authorization to return materials from Seller and Seller is given a reasonable opportunity to inspect the product and confirm such nonconformity. This exclusive remedy shall not be deemed to have failed of its essential purpose so long as Seller is willing and able to repair or replace the nonconforming product and, in any event, Seller's liability for any damages due Buyer shall be limited to the purchase price of the nonconforming products. THIS PARAGRAPH DETAILS BUYER'S SOLE AND EXCLUSIVE REMEDY FOR BREACH OF WARRANTY.

LIMITATION ON ACTIONS AND LIABILITY

The statute of limitations applicable to all claims arising under this agreement shall be one year from the date of delivery. SELLER WILL NOT BE LIABLE FOR ANY LOSS, DAMAGE OR INJURY RESULTING FROM DELAY IN DELIVERY OF THE PRODUCTS OR FOR ANY FAILURE TO PERFORM WHICH IS DUE TO CIRCUMSTANCES BEYOND ITS CONTROL. THE MAXIMUM LIABILITY, IF ANY, OF SELLER FOR ALL DAMAGES, INCLUDING WITHOUT LIMITATION CONTRACT DAMAGES AND DAMAGES FOR INJURIES TO PERSONS OR PROPERTY, WHETHER ARISING FROM SELLER'S BREACH OF THIS AGREEMENT, BREACH OF WARRANTY, NEGLIGENCE, STRICT LIABILITY OR OTHER TORT WITH RESPECT TO THE PRODUCTS, OR ANY SERVICES IN CONNECTION WITH THE PRODUCTS, IS LIMITED TO AN AMOUNT NOT TO EXCEED THE PRICE OF THE PRODUCTS. IN NO EVENT SHALL SELLER BE LIABLE TO BUYER FOR ANY INCIDENTAL, CONSEQUENTIAL, OR SPECIAL DAMAGES, INCLUDING WITHOUT LIMITATION, LOST REVENUES AND PROFITS, EVEN IF IT HAS BEEN ADVISED OF THE POSSIBILITY OF SUCH DAMAGES. THE RIGHT TO RECOVER DAMAGES WITHIN THE LIMITATIONS SPECIFIED IS BUYER'S EXCLUSIVE ALTERNATIVE REMEDY IN THE EVENT THAT ANY OTHER CONTRACTUAL REMEDY FAILS OF ITS ESSENTIAL PURPOSE.

ONE-YEAR EXTENDED WARRANTY

If Buyer purchased a one-year extended warranty on a van or pick-up truck rack, Seller will cover labor and materials for the mechanical failure of any component part of your glass rack system, including under body/top mounts, aluminum posts and slats, rubber padding, ledge, wheel skirts, hucks, and Adjust-A-Poles provided the when the product was subject to normal use and service and installed, used and serviced in the manner intended. Seller will also pay for all shipping or delivery charges associated with the repair or replacement.

CHECK FOR YES

- Roof rack is attached to van properly and all bolts are tight
 - All bolts are tight where glass rack attaches to roof rack
 - All underbody mounts are installed properly and tight
 - All bolts securing rack ledge to underbody mounts are tight
 - Wheel skirt is bolted on properly
 - Front stop is securely bolted in place
 - Cleats are attached properly to all poles
-

 **WARNING**

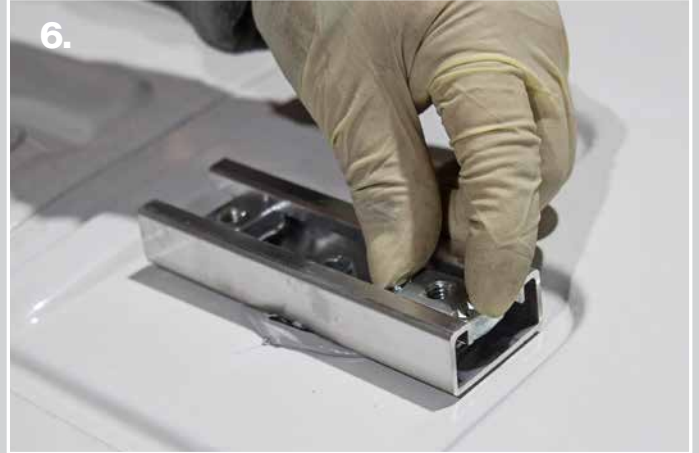
Shifting cargo due to improper loading can result in sudden loss of control of vehicle, cargo or glass coming off of rack, or glass breakage. This can lead to death or serious injury. You must:

- Make certain weight of load plus rack weight does not exceed vans weight capacity (GVWR - Gross Vehicle WeightRating)
- Evenly distribute load on the driver and passenger side of vehicle (if equipped with two racks)
- Always center the load on the rack.
- Consider adjusting the contents inside the vehicle to account for the weight on the rack.
- Properly secure load to rack and tie down all loads with proper sized fasteners, chains, straps, etc. Inspect and test all load securement equipment before use.
- If rack is E-Track equipped, only use load securement products compatible with E-Track.
- Do not use damaged or loose tie down rings, straps or track. They can fail or break, allowing cargo to become loose resulting in death or serious injury.

Refer to www.fmcsa.dot.gov for regulations regarding cargo securement rules



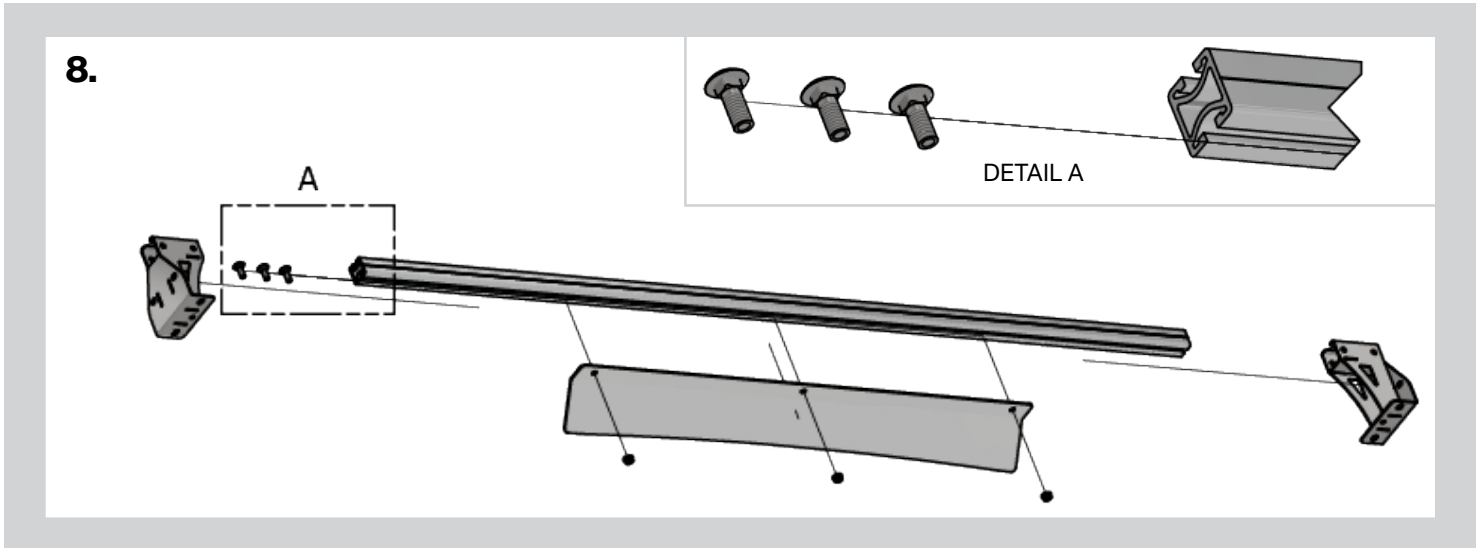
5. Secure mounting track to van roof. Place a generous bead of caulk around bolt head and washer (not shown).



6. Press strut nuts with springs into track and twist 90 degrees to lock.



7. Repeat procedure for all mounting points.



8. Install Wind Deflector: Install (3) 3/8" - 1" carriage bolts into bottom of crossbar.

NOTE: Wind deflector is installed on forward most crossbar only.



9. Loosely secure roof rack mounts to adaptor using 5/16" x 7/8" bolts with washers and lock washers. Do not tighten bolts fully until crossbars are in their final position.

STEP 3- ROOF RACK SETUP



10. Slide 75" crossbars through openings of roof rack mounts so they protrude evenly on either side of the roof mounts.

(Detailed view of Step 9.)



11. Using the predrilled holes in the mounts as a guide, drill 5/16" holes through the crossbars.



12. NOTE: Do not tighten bolts fully until crossbars are in final position.



TIGHTEN ALL HARDWARE

1. Make sure bolts from roof rack mounts to roof rack adaptors are tightened
2. Tighten bolts from roof rack mounts to cross bar