

## Technical Specifications

# PIKO 10MP IR Mini Dual Sensor AI IP Camera

FOR EXTERNAL APPLICATION

2 x 5MP(10MP)

H.265, H.264 and MJPEG compression

PikoANALYTICS

Deep Learning- Object Tracker/People Tracker(One channel, Selectable)

SMART Bitrate Control and Region of Interest

Power over Ethernet (IEEE 802.3af)



CAMERA	
<b>Model</b>	P-10MP-DS-V1   PE-10MP-DS-1TB-V1
<b>Image Sensor</b>	2 x SONY STARVIS EXMOR 1/2.8" 5M CMOS
<b>Effective Pixels</b>	2592(H) x 1944(V) per camera
<b>Scanning System</b>	Progressive scanning
<b>AGC Control</b>	Auto
<b>IRIS Type</b>	Auto Exposure
<b>Minimum Illumination</b>	Color: 0.13 Lux / B/W : 0 Lux (IR LED On)
<b>Lens</b>	2.8 mm ( F1.8)
<b>Angle of View</b>	Horizontal: Approx. 102.4° Vertical: Approx. 77.4°
<b>Shutter Time</b>	Auto / Manual: 1/30 ~ 1/32,000, Anti-Flicker, Slow Shutter (1/2, 1/3, 1/5, 1/6, 1/7.5, 1/10)
<b>Day &amp; Night</b>	True Day & Night (Removable IR-cut filter)
<b>Wide Dynamic Range</b>	True WDR, 120 dB or above
<b>S/N Ratio</b>	50 dB
IR ILLUMINATOR	
<b>IR LED</b>	High Power IR LED x 2 per camera
<b>IR Working Distance</b>	25m
VIDEO	
<b>Video Compression</b>	H.265, H.264, MJPEG
<b>Profile</b>	H.264 : MP / HP H.265 : MP
<b>Multiple Profile Streaming Performance</b>	- 2592x1944/30 + 720p30 with H.264, H.265 + MJPEG - 2592x1944/15 + 720p15 with H.264, H.265 + MJPEG
<b>Max Resolution</b>	2592 x 1944
<b>Video Bit Rate</b>	100Kbps ~ 25Mbps Multi-rate for Preview and Recording
<b>Bitrate Control</b>	Multi Streaming CBR/VBR (Controllable frame rate and Bandwidth)
<b>Digital Noise Reduction</b>	3D-DNR
<b>Privacy Mask</b>	16 programmable zones
<b>Special Features</b>	SMART Bitrate Control, Region of Interest
<b>Other Image Processing</b>	Configurable Exposure, White Balance, Sharpness
<b>Image Orientation</b>	Flip / Mirror
<b>Analogue Output</b>	1 (Installation only) CVBS 1.0V p-p (75Ω), 4:3 aspect ratio Camera selectable

AUDIO	
<b>Audio Streaming</b>	Two way
<b>Audio Compression</b>	G.711 u-law 8KHz, AAC-LC 48Kbps at 8KHz
<b>Audio input</b>	Built-in Mic, Supply voltage : 2.4VDC(3mA), Input impedance : 3K Ohm
<b>Audio output</b>	Line Out, MAX. Output Level : 1Vrms
EVENT	
<b>Event Trigger</b>	Motion Alarm, Temperature critical, DI, VCA(AI)
<b>Pre-Post Recording</b>	Pre: 1~5 sec Post: 1~240 sec
<b>Event Notification</b>	FTP, E-mail, Alarm-out, SD card
NETWORK	
<b>Ethernet Standard</b>	10/100 Base-T
<b>IP</b>	IPv4
<b>Protocol</b>	TCP/IP, UDP, AutoIP, RTP(UDP/TCP), RTSP, NTP, HTTP, HTTPS, SSL, DNS, DDNS, DHCP, FTP, SMTP, ICMP, SNMPv1/v2/v3(MIB-2), UPNP, RTCP, SSH, ONVIF
<b>Security</b>	HTTPS(SSL), IP filtering, 802.1x, Digest Authentication
<b>Plug In</b>	ONVIF Profile S/T/M, CGI API
GENERAL	
<b>Material</b>	Aluminum Die-casting, White
<b>External I/O Terminals</b>	1 x Alarm In / 1 x Alarm Out
<b>Language on webpage</b>	English
<b>Power Source</b>	DC12V, PoE(IEEE 802.3af)
<b>Power Consumption</b>	DC12V Max 9.9W, PoE Max 11.5W
<b>Operating Conditions</b>	Humidity 10 ~ 90% RH (non-condensing) [DC12V / PoE] -30°C ~ 60°C (-22°F ~ 140°F)
<b>Approvals</b>	FCC, CE, IP67, IK10
<b>NDAA</b>	Compliant
<b>Weight</b>	1.0 kg
<b>Dimensions (D x H)</b>	Ø139mm x 74mm
EDGE STORAGE	
<b>Storage</b>	1 x microSD / microSDHC / microSDXC (card not included)

## Technical Specifications

## VIDEO ANALYTICS (Optional)

(One channel, Selectable)

## Features

**Analytics Engine** PikoANALYTIC's advanced tracking algorithm with rich library of detection behaviors

**Detection Zones and Rules** 40 rules & zones (Multi-segment Polygons and Lines) as standard

**Intrusion Detection** Detection of the presence of an object

**Tamper Detection** Supported as standard

**Detection Behavior** Enter, Exit, Appear, Disappear, Stop, Direction, Dwell filter, Tailgating

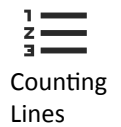
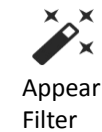
**Logical Rules** Extends standard rules to allow various combinations of the inputs

**Deep Learning Object Tracking** Deep learning based object identification (as Person, Cyclist, Car, Van, Truck, Motorcycle, Bicycle, Bag) removes false object detection

**Deep Learning People Tracking** Deep learning based people identification and tracking

**Counting & Line** High accuracy people and vehicle counting, 20 counters in total

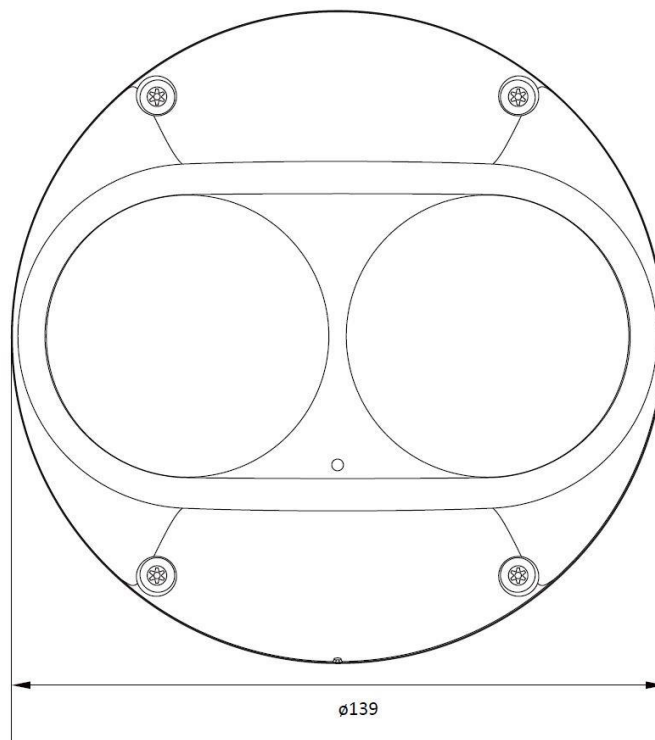
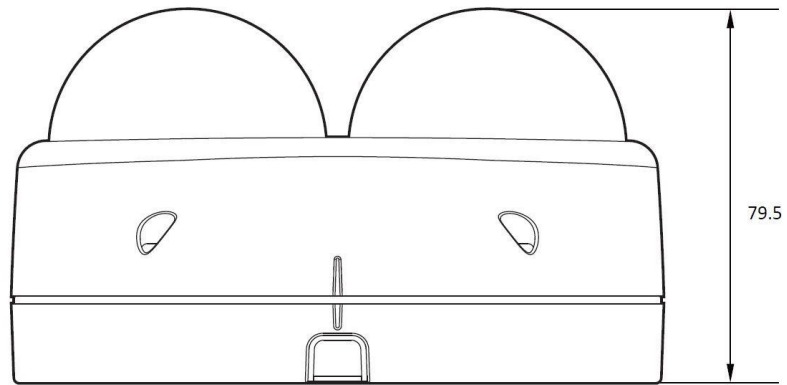
**Meta Data** JSON format, Plain XML format that contains the event information and the tracked object information with the bounding box, tail history, object attributions (object type and color)



**Technical Specifications**

**Dimensions**

(Unit: mm)



Accessories



**PW08**



**PC08**



**PP01**



**PCO01**