



issues

MANDATORY BULLETIN No. Harmony-007a

- 1. CONCERNING TO:** *Harmony aircraft with S/N 2025 2252.*

- 2. REASON:** *Removing the oil cooler strut.*

- 3. REQUIRED ACTIONS:** *Remove the oil cooler strut according to the procedure in this bulletin.*

- 4. LATEST DAY OF THE ACTION:** *Immediately after receiving the bulletin.*

- 5. CARRIED OUT BY:** *Operator.*

- 6. COSTS COVERED BY:** *Operator - if they arise.*

- 7. NECESSARY MATERIAL:** *Material is not needed.*

- 8. WORK PROCEDURE:** *According to the procedure in this bulletin.*

- 9. APPENDICES:** *Without appendices.*

Valid from: 05. 03. 2026

**1. Tools and materials**

For disassembly, use the tools listed in the MM Harmony in the individual chapters, an electric hand drill, a drill with a diameter of 4 mm, a 1 mm diameter punch for removing the rivet mandrel and a 3 mm diameter punch for punching out the rivet shank, and binding wire.

2. Work procedure

According to the relevant chapter of the MM Harmony, remove the engine covers, both upper and lower. According to the relevant chapter of the MM harmony, drain the oil from the engine oil system.

Note: Removal can be performed directly on the airplane using suitable tools (right-angle drill or attachment). With this procedure, it is not necessary to remove the cooler.

According to Fig.1, detail A in this bulletin, dismantle the silent block (17) secured by nuts (19) with washers (18).

Release the clip (7) and remove the cooler hanger (1).

Remove the silent block (17).

Cut the wire (22) detail B. Remove the Pyrojacket (21) detail B.

Release the hose clamp (16) detail B and D (view M).

Remove the hoses (20) detail B and D (view M) from the elbows (8) on the cooler (14). Cap the hoses.

From the cooler (14) detail C, dismantle the elbows (8).

Dismantle the nuts (11) detail C.

Remove the washers (13) detail C, remove the cooler (14) with the cover (3) from the console (12).

Blind the cooler inlet and outlet openings with suitable blind plugs.

Place the cooler (14) on a workbench and dismantle the strut (2) by drilling out the heads of the 3.2x8.7 BE61-0411 rivets.

The procedure for drilling out the rivet head is clear from detail E.

- knock out the rivet mandrels

- drill out the rivet heads

- knock out the rivet shanks

Remove chips from the cooler surface and remove the plugs. Remove the plugs from the hose ends.

Position the modified cooler (14) with the cooler cover (3) and washers (13) to the bracket (12) on the firewall.

Install and tighten the nuts (11).

Install the elbows (8).

Slide the hoses (20) onto the elbows and secure with the hose clamps (16).

Apply Pyrojacket (21) to the joints and secure with stainless steel tie wire (22).

Tighten the clamp (7).

Install the lower engine cover.

Add oil.

Perform the oil system venting in accordance with the Maintenance Manual (Line Maintenance) for Rotax Engine Type 912 Series, doc. No. MML-912, 889196.

Perform an engine test and check the oil for leakage.

Install the upper engine cover.

3. Influence on airplane documentation

Record the bulletin execution in the airframe logbook.

4. Influence on weight and balancing

Without influence

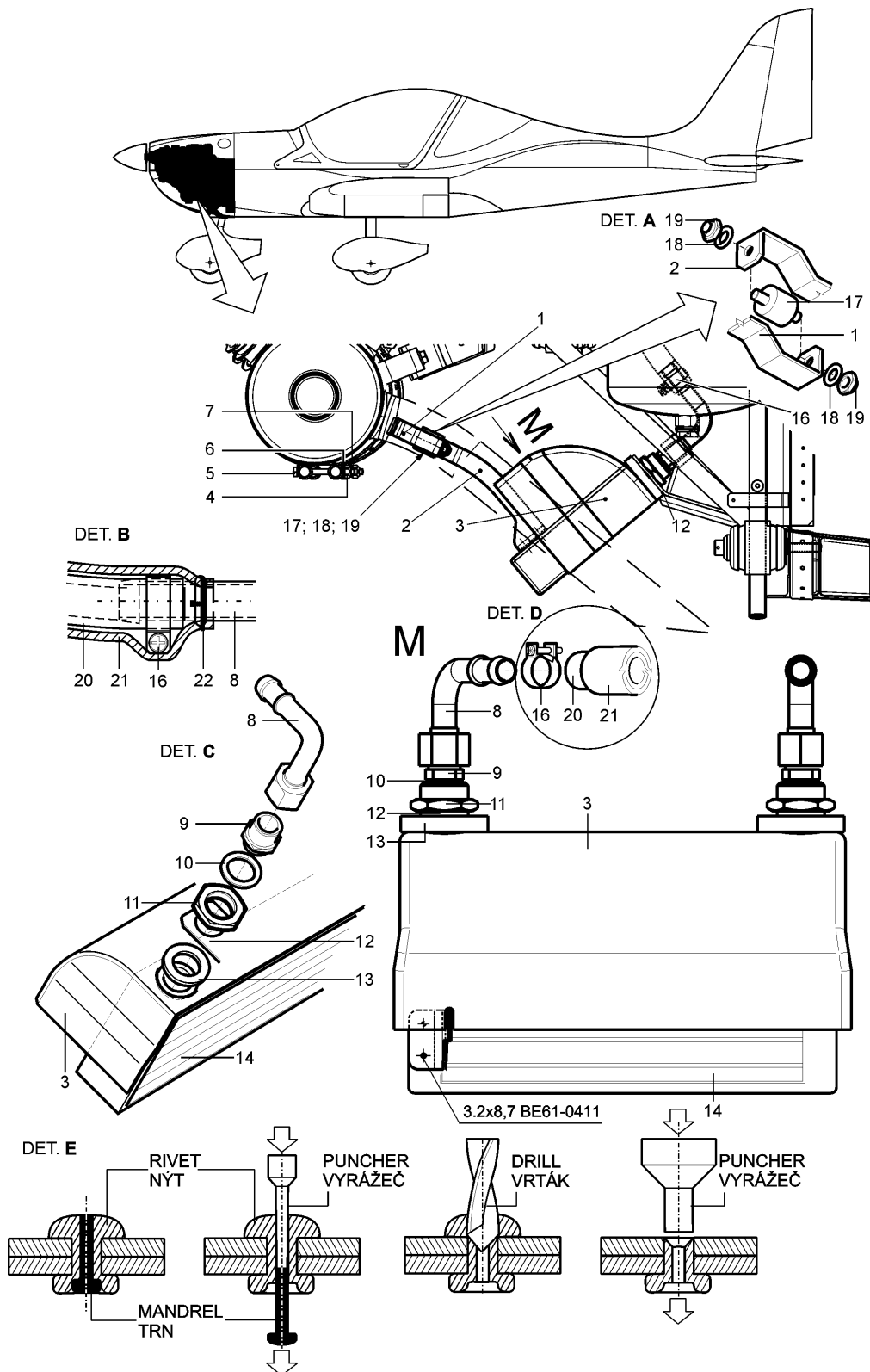


Fig. 1 Dismantling / installing the cooler



Item	Name	Item	Name
1	Oil cooler hanger	12	Cooler bracket
2	Oil cooler strut	13	Washer
3	Oil cooler cover	14	Oil cooler
4	Nut	15	-
5	Screw	16	Hose clamp
6	Washer	17	Silent block
7	Buckle	18	Washer
8	Cooler elbow	19	Nut
9	Reduction	20	Hose
10	Seal	21	Pyrojacket
11	Nut	22	Wire

Legend to Fig. 1 Dismantling / installing the cooler