

FORMENTOR

SPECIFICATIONS



CUPRA
FIERCE INDEPENDENCE

FORMENTOR

2026 SPECIFICATIONS



FORMENTOR MODEL RANGE

Formentor V	\$57,990 + ORCs*
Formentor VZ	\$87,500 + ORCs*



TECHNICAL DATA

V

VZ

Engine Type	Mild-Hybrid Turbo Petrol	Turbo Petrol
Cylinders / Displacement	4 / 1,498 cc	4 / 1,984 cc
Power Output – kW / HP @ rpm	110 / 150 @ 5,000 – 6,000	245 / 333 @ 5,600 – 6,500
Torque – Nm @ rpm	250 @ 1,500 – 3,500	420 @ 2,100 – 5,500
Emissions Standard	EU6	EU6
Drive Train	Front Wheel Drive	All Wheel Drive
Transmission	7 Speed DSG	7 Speed DSG
Dimensions – Length / Width / Height (mm)	4,451 / 1,839 / 1,520	4,451 / 1,839 / 1,520
Luggage Capacity Seats Up to Seats Down (litres)	501 – 1,469	505 – 1,475
Fuel Capacity (litres)	50	55
Weight in kg – in running order / max. weight allowed	1,520 / 2,000	1,679 / 2,140
Max Towing Weight in kg (Unbraked / Braked / Vertical Ball Weight)	740 / 1,700 / 80	750 / 1,900 / 80



PERFORMANCE & EFFICIENCY **

V

VZ

0-100 km/h in Seconds	9.0	4.8
Electric range on full charge (WLTP)	-	-
Maximum Speed in km/h	205	250
Fuel Economy – Combined (Litres/100km) ***	5.5	8.3
CO2 – Combined (g/km) ***	131	200

* Prices are maximum retail prices including GST and exclude on road costs.

** The official fuel consumption, emissions, and EV range figures determined by the WLTP test should be used as a guide only, or for vehicle-to-vehicle comparison. Actual results may vary due to factors such as driving or environmental conditions.

*** Range / CO2 calculated according to the NZ base specification vehicle as agreed with NZ Transport Agency; using vehicles 1,599 kg (V) & 1,745kg (VZ) in weight.

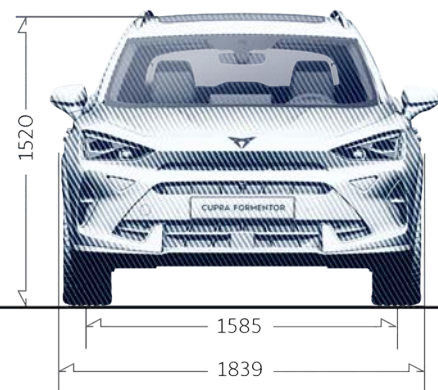
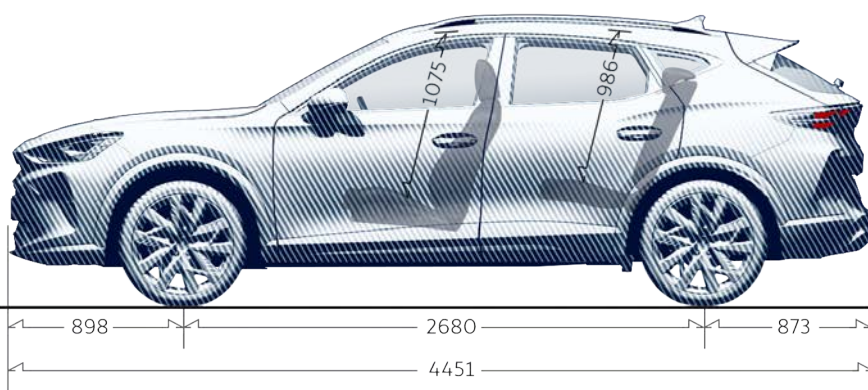


SAFETY & SECURITY

V

VZ

Front Assist, City Emergency Braking, Pedestrian Protection and Emergency Steering Support with Turn Assist	▼	▼
Adaptive cruise control	▼	▼
Side Assist (blind spot detection with front and rear cross traffic assist)	▼	▼
Exit Assist (warning of vehicles / cyclists approaching from rear when opening door)	▼	▼
Rear view camera	▼	▼
Top view camera	▼	▼
Pre-crash front and rear	▼	▼
Lane Assist	▼	▼
Travel Assist – combines adaptive cruise control and lane assist	▼	▼
Semi-automatic vehicle control in a medical emergency	▼	▼
High-beam Assist	▼	▼
Driver and front passenger front airbags with passenger de-activation	▼	▼
Front and rear curtain and side airbags	▼	▼
Driver's knee airbag	▼	▼
Central airbag (between front seats)	▼	▼
ISOFIX points in front passenger & outer rear seats with top tether anchorage points	▼	▼
Visual and acoustic seatbelt reminders front and rear	▼	▼
XDS Electronic differential lock system (maximises road holding and improves cornering)	▼	▼
Traction Control System (ASR)	▼	▼
Anti-lock brakes (ABS)	▼	▼
Electronic Stability Control (ESC)	▼	▼
Alarm (perimeter and interior monitoring)	▼	▼
Tyre pressure monitoring	▼	▼
Attention and Drowsiness Assist (ADA) for driver	▼	▼
ANCAP Safety Rating	★ ★ ★ ★ ★	





TECHNOLOGY

V

VZ

12.9" colour touchscreen including Bluetooth, two USB-C ports and voice control		▼	▼
Wired & wireless Android Auto and Apple CarPlay		▼	▼
Wireless phone charger		▼	▼
Dynamic road sign display		▼	▼
Navigation system	RN4	\$1,300	\$1,300
Twin USB-C charging ports for rear seats		▼	▼
6 speaker 100W sound system		▼	-
IMMERSIVE By Sennheiser™ featuring amplifier with 12 speakers (including one central speaker and one subwoofer)		\$1,300 PA1	▼
CUPRA Drive Profile that adjusts steering response, throttle response, gear shifts and suspension (V e-HYBRID & VZ)		▼	▼
Dynamic Chassis Control with CUPRA sport suspension		-	▼
Keyless Entry and Go (KESY)		-	▼
10.25" digital instrument cluster with configurable display		▼	▼
Speed sensitive power steering		-	▼
Mode 2 charging cable with 3-pin plug (5 hours from 0 to 100%)		-	-



IMMERSIVE BY SENNHEISER™

Enjoy an immersive acoustic by Sennheiser Mobility—a high-fidelity 12-speaker audio system powered by AMBEO Concerto software, delivering a rich, 390-watt sound.



12.9" INFOTAINMENT SYSTEM

A 12.9" touchscreen, plus an upgraded operating system and a retroilluminated slider for a maximised immersion.



OPTION PACKS

V

VZ

CUP Racing Edition (\$5,000 Savings)

Akrapovic Exhaust system, Akebono Fixed Front Brake Calipers, Matrix LED Headlights with digital projection, Panoramic Sunroof, 19" Hailstorm Forged Black Rims, Carbon Fibre Mirror Caps, Obsidian Trim Black Out, Front window tinting
Limited production

CRE

-

\$24,400

Tribe Edition

19" alloy wheels in Black and Sulphur Green, 3D Knitted bucket seats (Electric driver and passenger), Heated front seats, Bold sulphur green interior accents (Console, Air vents, Stitching), Dark alu pedals, Dark chrome CUPRA badges
** Only Available in Manganese Matte, Magnetic Tech Matte & Midnight Black

P03

-

\$3,500

Agile Pack

19" Sandstorm copper alloys, Black Dinamica interior with heated front seats and electric drivers seat, 12 speaker Sennheiser sound system, Kessy advanced and electrically released towbar

TAGL

\$6,000

-



INTERIOR SPECIFICATION

V

VZ

Triple-zone climate control		▼	▼
Heated steering wheel		▼	▼
Sports front seats		▼	-
Bucket sports front seats		-	▼
Electrically adjusted driver's seat with memory function		-	▼
Height-adjustable driver and passenger seats		▼	▼
Driver and passenger seat with lumbar adjustment		▼	▼
Black dual-upholstery seats with copper stitching		▼	-
Black Dinamica® upholstery seats with copper stitching		-	▼
Moon Slate leather upholstery with copper stitching and electric driver and passenger front seat with memory function	PR2	\$4,200	\$2,300
Heated front seats	WW1	\$1,150	▼
Copper and aluminium interior detailing		▼	▼
Front seat back storage pockets		▼	▼
Front armrest (adjustable, with storage compartment, 12v socket and air outlet in rear)		▼	▼
Auto-dimming rear-view mirror		▼	▼
Electric parking brake		▼	▼
Multi-colour interior wrap around lighting & LED interior illumination		▼	▼
Illuminated glove box		▼	▼
Black headlining		▼	▼
Illuminated doorstep in front doors		▼	▼
Sports pedals & footrest with chrome inserts		▼	▼
Leather wrapped sport steering wheel with copper stitching and integrated cruise control, audio and phone controls		▼	▼
Steering wheel-mounted gearshift paddles		▼	▼
Steering wheel with two satellite buttons – start/stop and CUPRA Drive profile		▼	▼
Split folding rear seats (60/40) with central armrest		▼	▼
Variable luggage compartment floor		▼	-
Illuminated luggage compartment		▼	▼





EXTERIOR SPECIFICATION

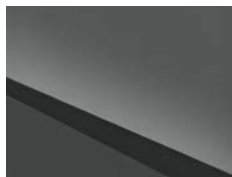
V

VZ

LED Daytime Running Lights		▼	▼
Full LED headlights (includes dipped and main beam)		▼	▼
Matrix HD LED headlights with digital projection		\$2,400 PP2	\$2,400 PP2
LED front fog lights with cornering function		▼	▼
Lights with automatic coming and leaving home function		▼	▼
Rain and light sensors		▼	▼
Electrically adjustable, heated and folding door mirrors		▼	▼
Contrasting painted door mirrors with welcome light silhouette		▼	▼
Gloss black roof rails		▼	▼
Tinted rear windows		▼	▼
Black carbon fibre mirror caps	PFI	\$1,400	\$1,400
Copper carbon fibre mirror caps	PFE	\$1,500	\$1,500
Sports bumpers		▼	▼
Panoramic sunroof	PTC	\$3,100	\$3,100
Remote central locking		▼	▼
Front & rear parking sensors		▼	▼
Intelligent park assist		▼	▼
Rear spoiler in body colour		▼	▼
Hands-free electric tailgate		-	▼
Dark chrome "CUPRA" and VZ logos on rear		-	▼
LED taillights including coast-to-coast light with dynamic indicators		▼	▼
Rear diffuser with quad exhaust pipes		-	▼
Electrically released tow bar with 50mm ball (factory fitment)	PGS	\$2,450	\$2,450
Akebono Front Brake Calipers	PBA	-	\$4,500
Akrapovic exhaust system	P1K	-	\$7,400
Special paint: Dark Void, Graphene Grey		\$1,000	\$1,000
Matte paint: Magnetic Tech , Century Bronze ^(VZ only) , Manganese Matte ^(Tribe Only) & Enceladus Grey ^(VZ only)		\$4,000	\$4,000



Century Bronze Matte



Enceladus Grey Matte



Magnetic Tech Matte



Graphene Grey



Magnetic Tech



Midnight Black



Glacial White



Fiord Blue



Dark Void



Manganese Matte



WHEELS

V

VZ

Space-saving spare wheel		▼	-
Tyre repair kit		▼	▼
18" Tempest alloys with 245/45 R18 tyres		▼	-
19" Sandstorm Machined alloys with 245/40 R19 tyres	Z9A	\$2,000	▼
19" Sandstorm Machined Copper alloys with 245/40 R19 tyres	Z9E	\$2,600	\$800
19" Arctic Machined Copper alloys with 245/40 R19 tyres	Z9G	\$3,500	\$2,300
19" Hailstorm Forged alloys with 245/40 R19 tyres	Z9I	-	\$2,500
19" Hailstorm Forged Copper alloys with 245/40 R19 tyres	Z9M	-	\$3,300
19" Arctic Sport Black Matte alloys with 245/40 R19 tyres	P07	\$3,000	\$2,300



18" Tempest



19" Sandstorm



19" Sandstorm Copper



19" Arctic Copper



19" Hailstorm



19" Hailstorm Copper



19" Arctic Sport Black Matte



19" Tribe Edition



CUPRA CARE

V

VZ

5 years / 100,000 KMs mechanical warranty

▼

▼

8 years / 160,000 KMs high-voltage battery warranty

-

-

5 years CUPRA Assist roadside assistance

▼

▼

3-year paintwork warranty and a 12-year anti-perforation warranty

▼

▼

5 years / 150,000 KMs mechanical warranty

\$750

\$750

3 years / 45,000 KMs Scheduled Maintenance*

▼

▼

5 years / 75,000 KMs Scheduled Maintenance*

POA

POA

* Refer your CUPRA Garage for full details of coverage



Model Shown on Front Page: Formentor VZ in Century Bronze Matte paint with optional 19" Arctic Machined Copper Alloy Wheels.

Key: ▼ = standard equipment; - = not available

CUPRA is committed to a policy of continuous product development and reserves the right to make changes to specifications, colours and prices without notice. Whilst CUPRA makes every effort to ensure that specifications are accurate at the time of publication, you should always check with your CUPRA Garage for the latest information.

The information in this document refers to model year 2026 vehicles.

Maximum Retail Prices include GST but exclude on road costs.

Version: 05.2026



CUPRA
FIERCE INDEPENDENCE