

HAWORTH

Pergola



Contents

Business Needs	4	Design	6	Technical Guide	15	Electrical & Data	34	Applications	44
Connect		Connect	8	Statement of Line	16	Dimensional Logic	40	Ceiling Slats & Vertical	
Collaborate		Collaborate	9	Fundamentals	17	Section Details	42	Painted Slats	45
Focus		Focus	10	Scale & Flexibility	19			Markerboard, Laminate,	
Space Connection		Space Connection	11	Space Frame	20			Glass, & PET	46
Space Division		Space Division	12	Tiles & Glass Insert	24			Drapery, Full-Rounds,	
Multiuse		Multiuse	13	Decorative Inserts & Accessories	28			& Painted Vertical Slats	47
				Ceiling Components	32			Lighting, Half-Rounds,	
								& Accessories	48



Business Needs

Space design is trending toward activity-based, flexible floorplans that enable people to move, facilitate space delineation, and make reconfiguration easy. Organizations seeking to maximize their real estate investments require smart, multi-use, and agile products that improve efficiency while supporting the diverse ways people work.

Designers seek to help their clients by getting creative with smaller footprints that accommodate dynamic workspaces. They also know that focus work is as important to innovation as collaboration. Designers are solving for the emerging trend in destination spaces—where people can complete specific individual or team tasks without distraction and away from the open plan setting.

Flexibility is key in creating inspiring workspaces that attract top talent and retain workers through an engaging employee experience.



Design

Pergola™ is a freestanding architectural workspace where people can get away to connect, collaborate, or focus. Through a spectrum of materiality choices, Pergola offers a broad range of space and room solutions that are scalable in performance and application.

Pergola is easy to specify, install, and reconfigure, and complements base building architecture without the permanence of construction. Its scalable design lets designers unleash creativity to design their way. From materials to modularity and size options, Pergola offers the customization desired in today's workspaces.

Pergola complements base building architecture with simpler planning that adapts to the floorplate—future proofing is built into the DNA of the platform. Leverage real estate in new ways to build spaces quickly. A series of bundled solutions with a collection of individual parts and pieces allows designers to easily specify their room size, degree of enclosure, function, and finishes.



Connect

Pergola helps you create places where people can connect about work or for brief social interactions. Offering a variety of spaces supports mode switching—giving people a change in scenery to accommodate the brain's cognitive activity. Create cozy nooks for quick touchdown meetings adjacent to a casual meeting space with lounge furniture. A transaction shelf encourages participation and interaction.



Collaborate

Spaces for collaboration are usually furnished with conference tables and stools or side seating. Pergola does even more. Create large, multi-functional spaces with break-out lounge areas where people can step away with coworkers during long working sessions or enjoy a restorative moment. The central passageway connects the project space to the lounge areas and creates a “front porch” to the main activity space.



Focus

Pergola provides smaller spaces where a person can take a call or have some heads-down time. Create semi-enclosed private offices that give occupants a defined area to focus, while still providing connection to adjacent team spaces. Vertical surfaces and space division offer a sense of privacy so people can claim control, reduce stress, and optimize performance. Add focus areas, such as touchdowns and restore spaces for quiet moments.



Space Connection

With its basic kit of parts, Pergola allows you to create a space that fits your exact needs. Connecting several applications within one Pergola offers a variety of spaces within the same area. Consider combining three types of meeting areas—such as lounge, project team space, and a semi-enclosed meeting room. The passageways connect the spaces and allow for additional circulation within the floorplate.



Space Division

Pergola lets you create boundaries to support a variety of activities. The vertical surface area from this group of touchdown workspaces enhances collaboration and brainstorming—tiles in PET and markerboard finishes promote externalization of ideas. Lounge furniture with flexible tables create a casual, collaborative environment. Adjacent to workstations, this space may be owned by a team, allowing them to leave project references and artifacts accessible for the span of a project.



Multiuse

Pergola makes every inch count when you gang together different spaces, creating negative space that can be used as a collaboration area. Touchdown spaces provide an adjacent place for heads-down focused work. Using an L-shape configuration creates a nook where collaboration and brainstorming can take place. Whether people work alone or together, Pergola provides space for both collaboration and individual work, giving users autonomy in how they can be most effective.



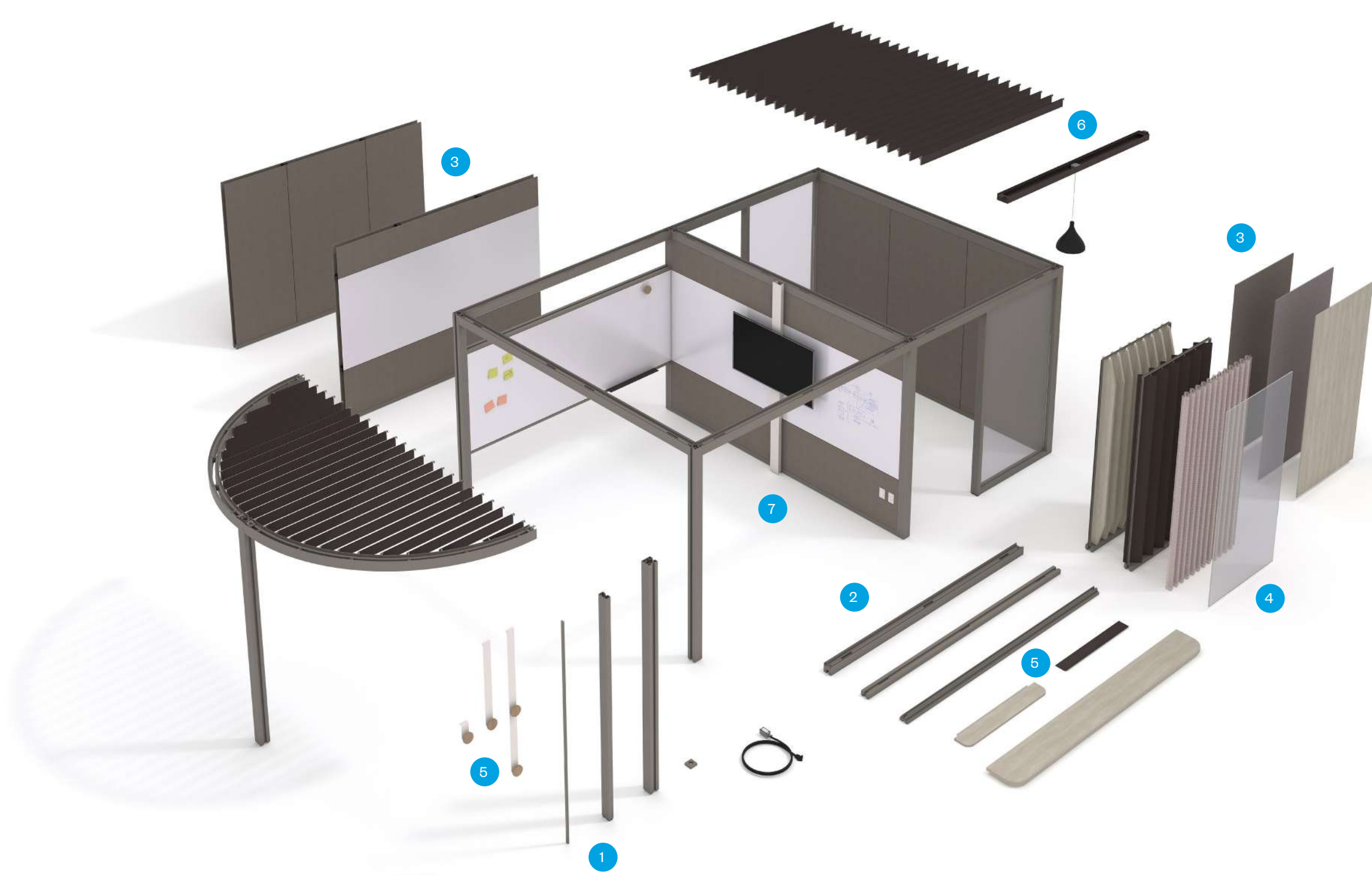
Technical Guide

Pergola offers scalable design across a spectrum of freestanding architectural workspaces using flush mount and infill elements within one framework for variety in size, application, and materiality. Create your space by starting with the frame/room size, adding vertical surfaces, and enhancing with additional materials.

Begin with aluminum post and beam frames. From there, add high-performing vertical surfaces and integrated technology to delineate space. Finally, enhance the space with drapery, vertical slats, ceiling elements, and integrated lighting. You now have created a space that improves connection, collaboration, and focus—with reduced visual and acoustic distractions.

Statement of Line

Freestanding Architectural Workspace



- 1 **Vertical Framing**
 - Posts
 - Underbeam End-of-Run
- 2 **Horizontal Framing**
 - Top Rail
 - Bottom Rail
 - Tile and Insert Rails
- 3 **Tiles**
 - Full-Height (Vertical)
 - Horizontal (Bottom, Mid & Top)
- 4 **Inserts**
 - Glass
 - Laminated Vertical Slats
 - Painted Vertical Slats
 - Drapery
- 5 **Worksurface & Accessories**
 - Spanning Tops
 - Ledge
 - Accessory Tray
 - Coat/Bag Hook
 - Tethered Worksurface Bracket
- 6 **Ceiling Component**
 - Ceiling Slats
 - Light Trough
- 7 **Electrical**
 - Tech Tower
 - Receptacles
 - Switches
 - Data

Fundamentals

Freestanding Architectural Workspace



Visual Privacy

- Architectural slats, ceilings, and drapery
- Rectilinear and round spaces



Code Compliant

- Seismic ready with bracket for floor anchors
- ETL listed for electrical, structural and fire codes
- Conforms to UL 1286 and CSA C22.2 No. 203



Technology Integration

- In-Wall or Tech Tower electrical and A/V options
- Plug & play electrical components
- Integrated lighting



Frame Construction

- Architectural in scale and durability
- 8' frame height
- Prepped for tiles and inserts
- 2' module and unlimited connections



High Performing Surfaces

- Tiles and inserts help establish core function of the space
- Two-sided tile construction



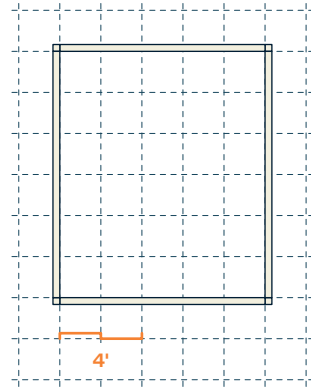
Ease of Installation

- Components are quick to install and can be easily reconfigured or added to when workspace requirements change



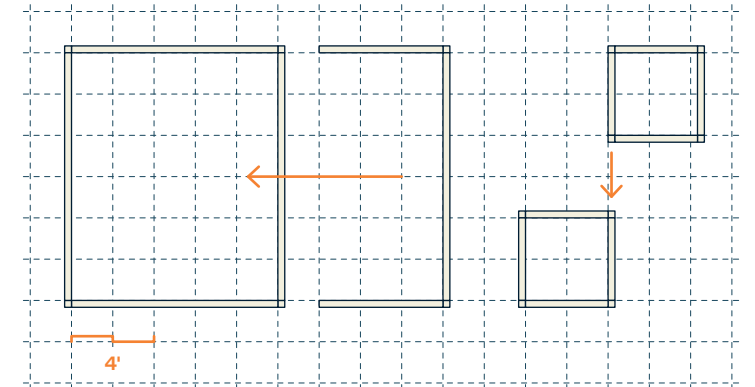
Fundamentals

Freestanding Architectural Workspace



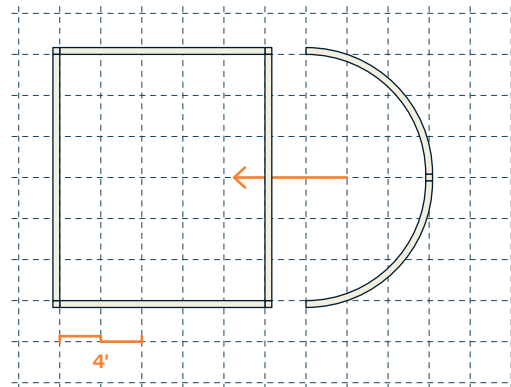
Square & Rectangular Spaces

- Start with an individual rectilinear workspace and build up from there
- Frame sizes accommodate individual privacy spaces as small as 4' x 4' or collaborative areas up to 12' x 12'
- Wide range of space applications, from a single occupant workpoint to a large, multi-purpose area



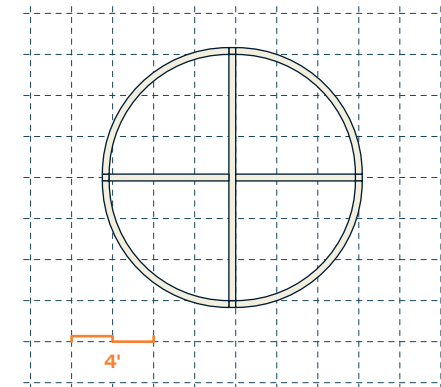
Square & Rectangular Space Combinations

- Individual workspaces limited by the 12' rail span; however, spaces can be connected and added to indefinitely
- Frame to Frame or Corner to Corner, the scope for creating workspace has no limits



Half-Round Additions

- Adding rounds can help designers create spaces that are informal and visually engaging
- Half-Round Radial Kits available in 12' widths
- May be attached to any single or multiple room span that is 12' in length

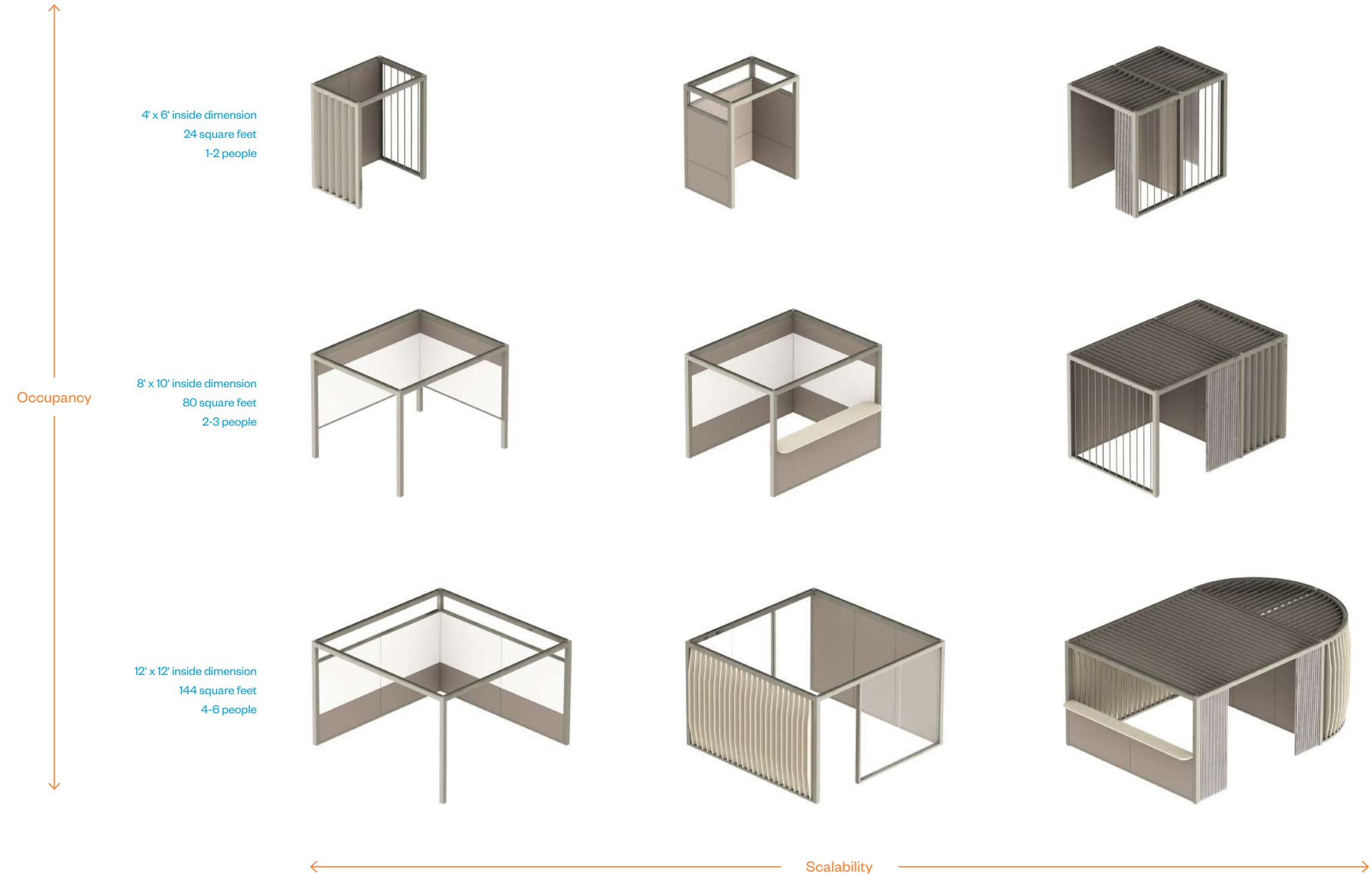


Full-Round Spaces

- Full-Round spaces offer designers an option to enhance the environment with something unique and unexpected
- Available in 12' widths

Scale & Flexibility

Freestanding Architectural Workspace



Space Frame

The Space Frame is a Post + Beam construction that provides a starting point for creating freestanding architectural workspaces. Depending on the customer's unique space requirements, a Pergola application may consist of a single space frame or can accommodate multiple space frames ganged together, making it scalable in terms of performance and application. Pergola has the ability to provide a broad range of spaces, from the simplest single occupant workpoint to large multi-purpose spaces that help designers define and articulate one space from another.



Features

- Post + Beam structure contains an assortment of vertical and horizontal rails that form the backbone of a Pergola workspace
- Structure is the same whether choosing tiles, inserts, or open applications
- Selection of standard-length rails accommodates easier design and specification
- The space frame may be rectilinear, round, or a combination of both
- Multiple space frames may be combined for larger multi-purpose workspaces
- Standard and seismic leveler heights offered
- Intuitive mechanical connections allow for ease of installation and reconfiguration
- Low voltage cabling may be run through the space frame channels
- Framing components are finished with durable powdercoat

Sizes and Dimensions

- Posts and beams are a 4" (101.6 mm) x 4" (101.6 mm) profile
- 8' (2438.4 mm) system height
- Straight Top Rails available in 4' (1219.2 mm), 6' (1828.8 mm), 8' (2438.4 mm), 10' (3048 mm), and 12' (3657.6 mm) lengths
- Straight Bottom Rails available in 4' (1219.2 mm), 6' (1828.8 mm), 8' (2438.4 mm), 10' (3048 mm), and 12' (3657.6 mm) lengths
- Radial Top Rails available with a diameter of 12' (3657.6 mm)
- Radial Bottom Rails available with a diameter of 12' (3657.6 mm)
- Posts accommodate +2" (50.8 mm) of vertical adjustment for leveling purposes

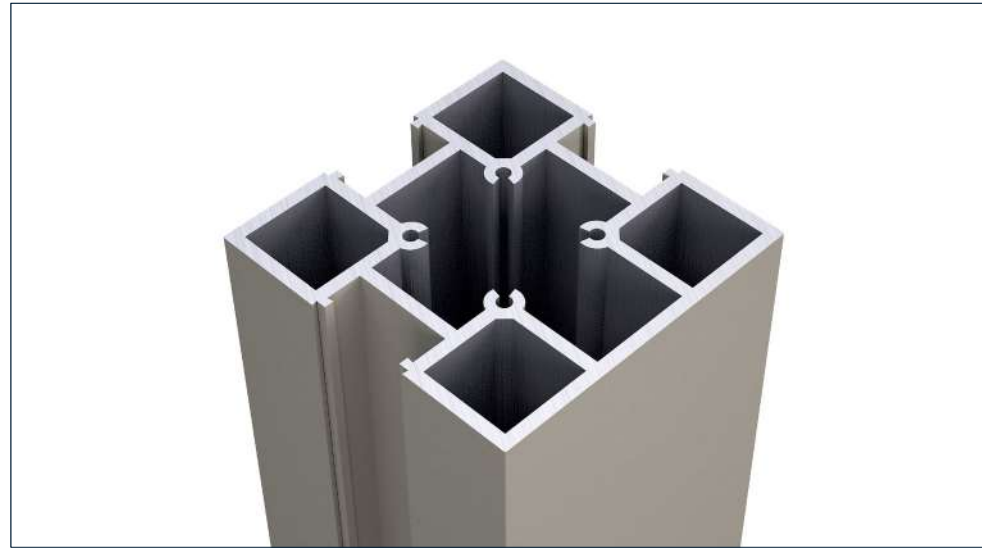
Framing Components

Core Framing Components



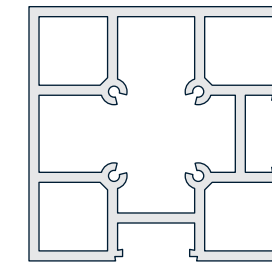
Post to Top Rail Attachment

- 2-Way, 3-Way, and 4-Way Posts run from the floor and attach flush to the upper edge of Top Rails

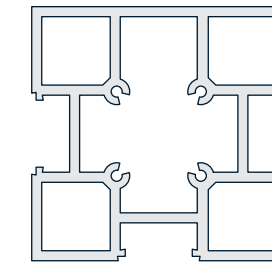


Posts

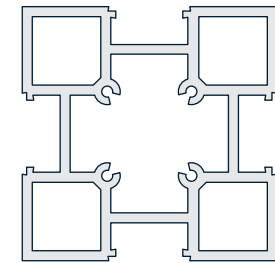
- Contain attachment points or channels that connect Top Rails at 90°



2-Way Post



3-Way Post



4-Way Post



Channel Cap Components

- Dedicated aluminum caps seamlessly close off channels not in use
- Caps may be used in both vertical and horizontal applications



Standard Floor Gap

- Standard leveler creates a nominal floor gap of 1/2" (12.7 mm)
- 2" (50.8 mm) vertical adjustment

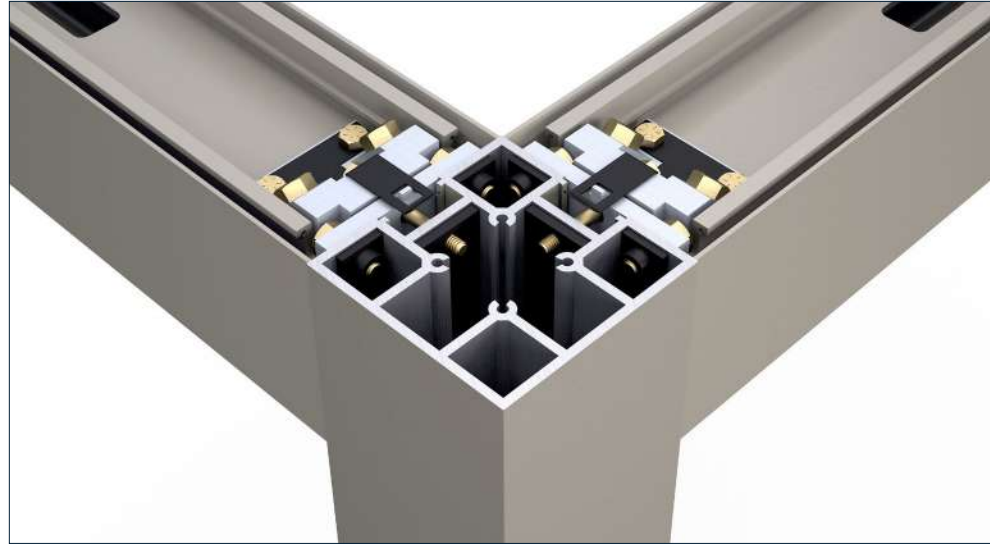


Anchor Cover Gap

- Anchor plate creates a nominal floor gap of 1-1/8" (28.58 mm)
- 2" (50.8 mm) vertical adjustment

Framing Components

Posts and Connections



2-Way Post Connection

- Provides a means for Top and Bottom Rails to connect in a 2-Way 90° transition



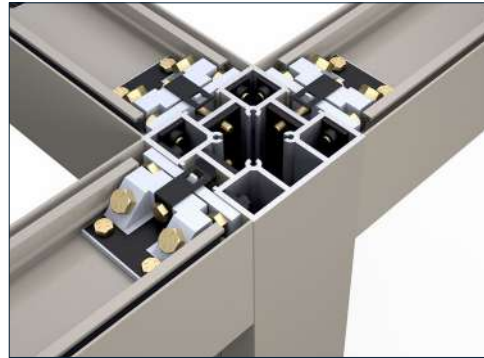
Top Rail Connection

- Top Rails attach to posts with simple, but durable connection brackets
- Additional connection components provide stability against structural and seismic forces when required



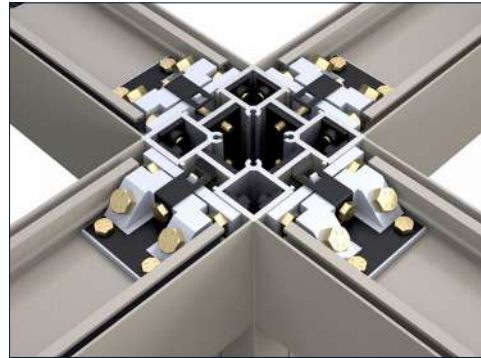
Underbeam End-of-Run

- Spans from floor to bottom of Top Rail and designed to support pass-through entry
- Standard or seismic anchoring
- Exposed channel capped for seamless aesthetic



3-Way Post Connection

- Facilitates 3-Way 90° transition



4-Way Post Connection

- Facilitates 4-Way 90° transition

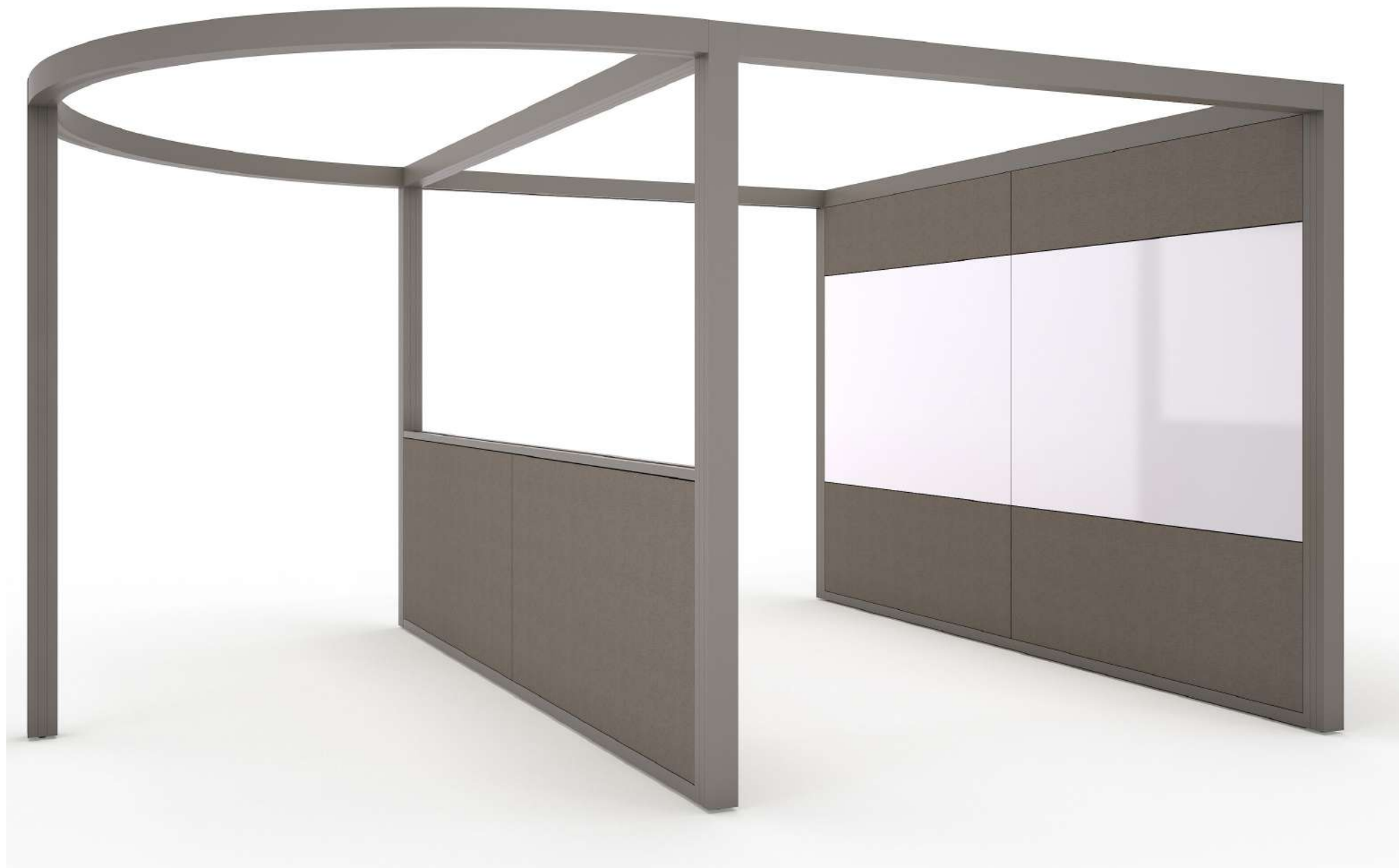


Bottom Rail Connection

- Connection provides stability against structural and seismic forces

Tiles & Glass Insert

The addition of high-performing vertical surfaces such as tiles or a glass insert further delineates the space, providing varying degrees of enclosure. Through a spectrum of materiality choices, Pergola offers a broad range of space and room solutions that are scalable in performance and application. Whether employees need a space to connect, collaborate, or focus, Pergola has the flexibility to accommodate what is required.



Features

- Vertical and horizontal tiling offered in a variety of substrates, accommodating numerous functionalities and aesthetics
- Tile finishes include:
 - High Pressure Laminate: ½" particleboard core with plastic edgeband
 - PET: ½" thickness, 60% post-consumer content
 - Wallcovering: ½" gypsum core
- Horizontal and vertical tile options; full-height tiles support a vertical direction and segmented tiles support a horizontal direction
- Bottom tile heights support a seated or standing tile configuration
- Tile configurations are pre-defined based on Top Rail lengths and the 8' system height
- Post-to-post spans share the same elevation and tile configuration on both sides
- Supports full-height tile and glass insert configurations as well as combinations of tiles and inserts or tiles and openings
- Tiled spans can accommodate electrical/data requirements
- Horizontal reveals allow for tethered worksurfaces and accessory mounting

Sizes and Dimensions

- Full-Height Tiles
 - Height: 89.5" (2273.3 mm)
 - Widths: 36" (914.4 mm) and 48" (1219.2 mm)
- Bottom Tiles:
 - Heights: 25.5" (647.7 mm) or 37.5" (952.5 mm)
 - Widths: 48" (1219.2 mm), 72" (1828.8 mm), 96" (2438.4 mm), and 120" (3048 mm)
- Middle Tiles:
 - Heights: 36" (914.4 mm) or 48" (1219.2 mm)
 - Widths: 48" (1219.2 mm), 72" (1828.8 mm), 96" (2438.4 mm), and 120" (3048 mm)
- Top Tiles:
 - Height: 16" (406.4 mm)
 - Widths: 48" (1219.2 mm), 72" (1828.8 mm), 96" (2438.4 mm), and 120" (3048 mm)

Details

Material and Framing Details



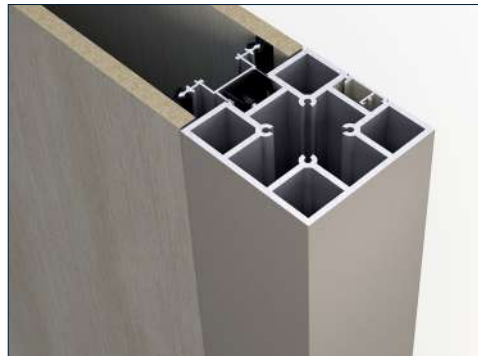
Finishes	Substrates		
	Drywall	Particleboard	PET
Wallcovering	•		
High Pressure Laminate		•	
Whiteboard Laminate		•	
PET			•

Tile Attachment

- Tiles clip to horizontal and vertical internal framing

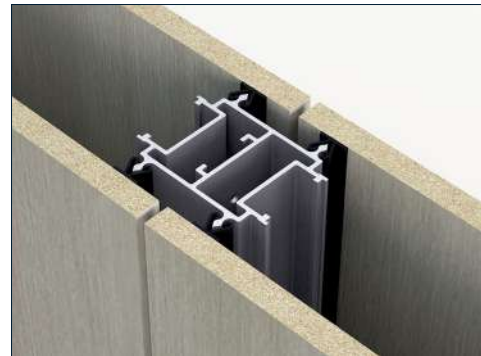
Tile Selection

- PET, laminate, and wallcovering options available



Tile-Frame Rail

- Connects vertically or horizontally within framing for secure tile attachment
- Not visible upon installation



Tile-Tile Rail

- Provides internal support for vertical and horizontal tile-to-tile connections
- Not visible upon installation



Tile-Transition Rail

- Transition from tiles to glass or tiles to open section



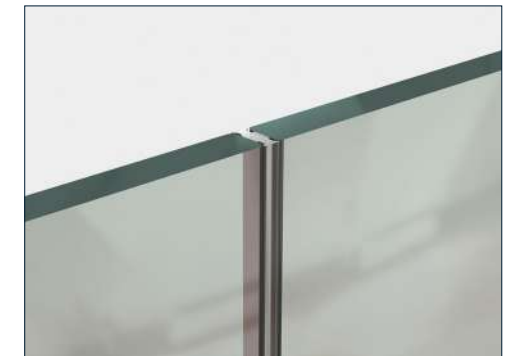
Glass at Post & Rail Condition

- 2.5 mm air gap between post and edge of glass
- Glazing beads capture and center glass within horizontal rails



Glass

- Glass panes are secured within channels of top and bottom rails



Glazing Connector

- In-line plastic glazing connectors join glass panes end-to-end

Configurations

Applications



Vertical Tile Configuration

- Full-Height Tiles support vertical direction



Full-Height Glass Insert

- Provide full access to visible daylight
- Film may be applied to glass on-site



Horizontal Tiles – Seated Height

- Seated application (28" [711.2 mm] high)



Horizontal Tiles – Standing Height

- Standing application (40" [1016 mm] high)



Tiled with 1-High Glass Insert

- 1-High Glass Insert above middle tile
- Seated or standing tile applications supported



Tiled with 2-High Glass Insert

- 2-High Glass Insert above bottom tile
- Seated or standing tile applications supported



Tiled/Open Configuration

- Open above middle tile
- Seated or standing tile applications supported

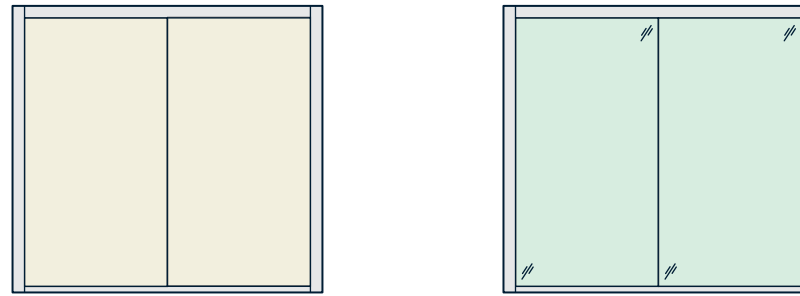
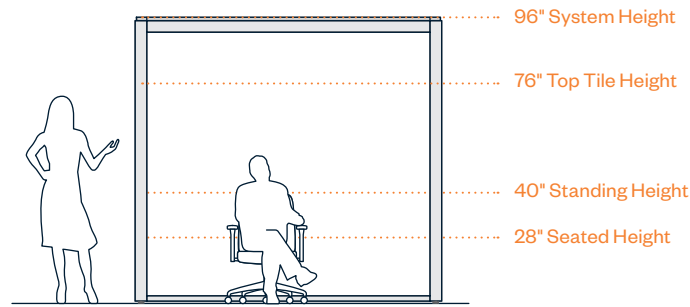


Open/Tile/Open Configuration

- Open at top and bottom
- Seated or standing applications supported

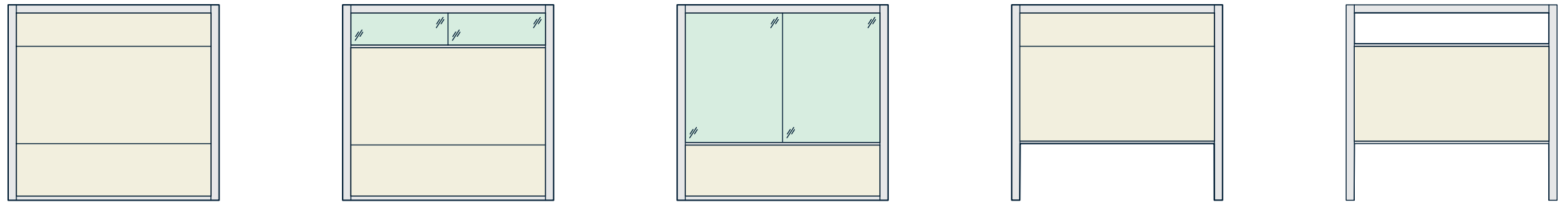
Configurations

Tile and Glass Insert configurations are classified as Full Height, Seated Height, or Standing Height. The following examples depict the possible combinations of Tiles, Glass Insert, and Openings that can be achieved with Pergola



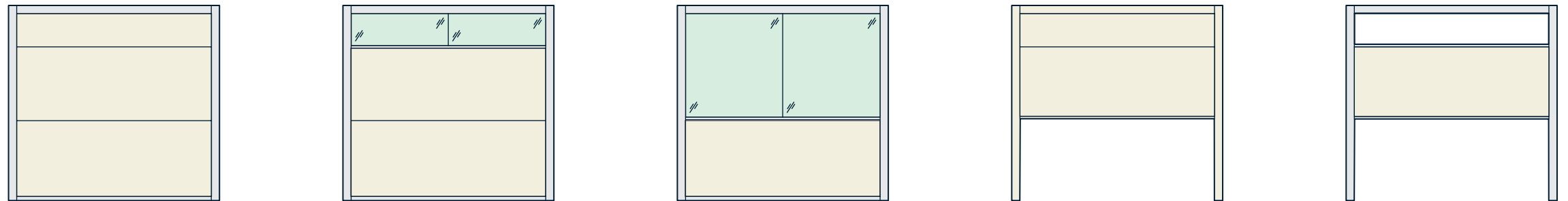
Vertical Configurations

- Full-Height Tiles or Glass Insert run vertically from top to bottom without any horizontal reveals



Seated-Height Configurations

- Seated-Height configurations have a tile-tile reveal, tile to glass insert transition, or opening to tile transition at the 28" (711.2 mm) nominal seated height
- Reveal accommodates the addition of tethered accessory attachments
- Glass always runs vertical



Standing-Height Configurations

- Standing-Height configurations have a tile-tile reveal, tile to glass insert transition or opening to tile transition at the 40" (1016 mm) nominal standing height
- Reveal accommodates the addition of tethered accessory attachments
- Glass always runs vertical

Decorative Inserts & Accessories

Pergola spaces can be further enhanced with the addition of laminate or painted vertical slats, drapery, and other accessories such as worksurfaces and spanning tops. Vertical slats and drapery are expressive and provide a sense of visual privacy while retaining access to natural light and visibility to the surrounding work environment. In combination with glass and tiles, these elements create flexible yet functional destinations for individual or team tasks, so people can claim control, reduce stress, and optimize performance.



Features

- Vertical Slats
 - Used in full-height applications and attach between the top and bottom rail
 - Supports straight spans of 4', 6', 8', 10', and 12' in length or 12' radial applications
 - Exposed channels between slats are capped with a Slat Channel Cap
- Drapery
 - Opaque and sheer options available
 - Drapery inserts align to bottom of posts
 - Does not require a bottom rail for the span, allowing access when drapery is open
 - Single Drapery Inserts support straight spans of 4', 6', and 8' as well as off-modular spans of 46" and 70"
 - Single Drapery Inserts may also be used for radial applications
 - Double Drapery Inserts support straight spans of 10' and 12'
- Accessories
 - Attach at reveal points created by horizontal rails
 - Accessory Tray
 - Wood Ledge
 - Tethered Worksurface
 - Spanning Tops (Single-Sided and Two-Sided)
 - Coat/Bag Hook

Decorative Inserts

Drapery and Vertical Slats



Drapery

- Kvadrat drapery with custom fullness and spacing proportioned to the product
- Opaque and sheer options
- 46" (1168.4 mm) – 96" (2438.4 mm) spans draw from one side only
- 120" (3048 mm) and 144" (3657.6 mm) spans draw from both sides



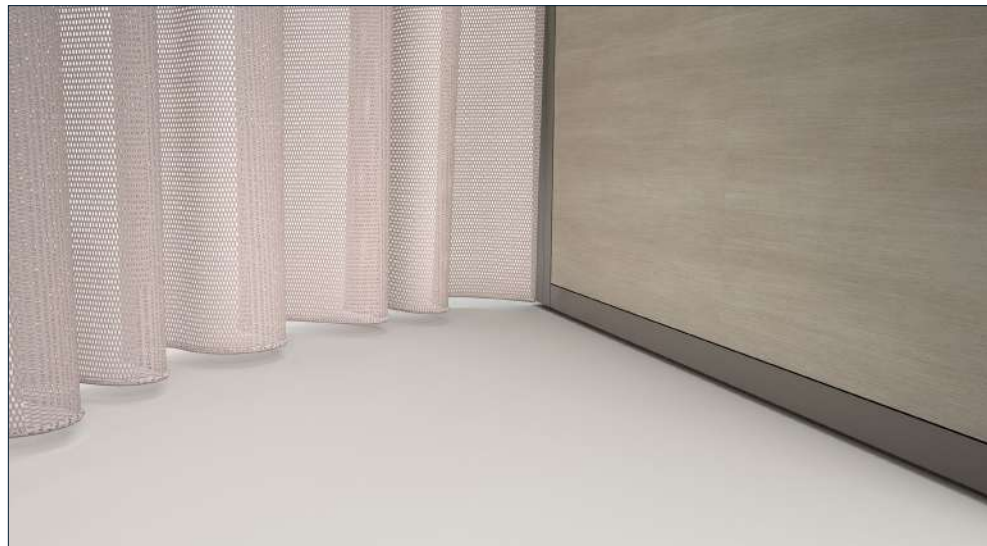
Laminate Vertical Slats

- The profile provides the room with a sculptural feel
- 3 mm edgeband; choice of ply-edge or color
- Installed at a 90° visual angle
- Initial slat installed 3" (76.2 mm) from vertical rail
- Slats spaced at 6" (152.4 mm) on center



Painted Vertical Slats

- Choice of slat orientation for different levels of opacity
- Installed at 45°, 90°, or 135° visual angle
- Available in powdercoated aluminum
- Initial slat installed 4" (101.6 mm) from vertical rail
- Slats spaced at 8" (203.2 mm) on center



Drapery Stack Back

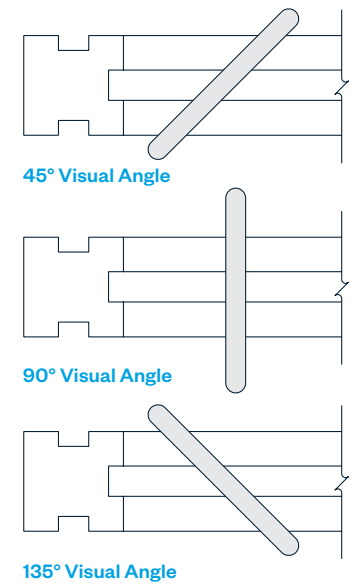
- Stack back approximately 30% of full span



Slat to Bottom Rail Connection



Painted Slat Visual Angles



Accessories

Spanning Tops and Attachments



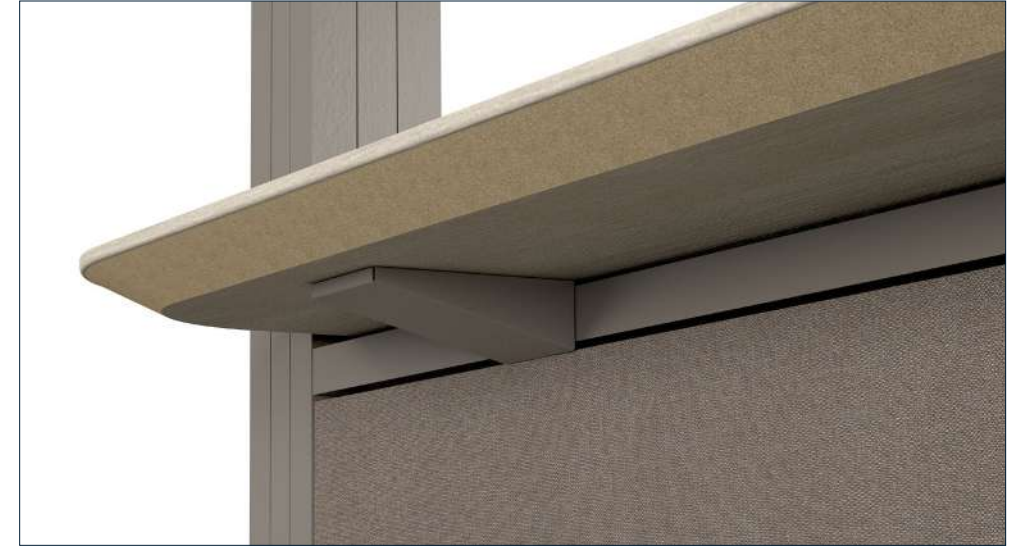
Single-Sided Spanning Top

- Attaches to the top of Tile-Insert Rail
- Spans post-to-post
- Surface finished in laminate
- 3 mm plastic edgeband on inside edge
- Knife edge or 3 mm plastic edgeband on user edge



Double-Sided Spanning Top

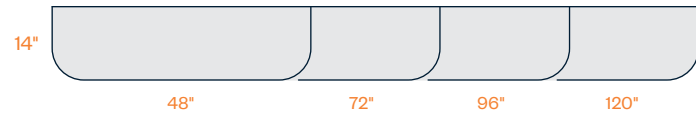
- Attaches to the top of Tile-Insert Rail
- Spans post-to-post
- Surface finished in laminate
- Knife edge or 3 mm plastic edgeband



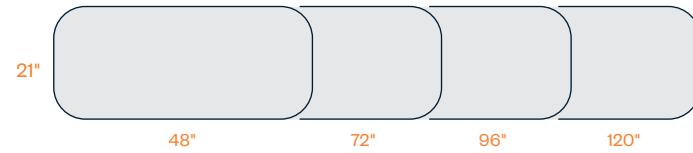
Spanning Top Mounting Brackets

- Painted to match frame color
- Used to attach Single-and Double-Sided Spanning Tops to rail

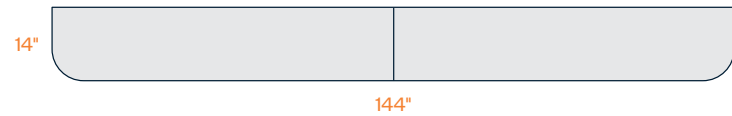
Single-Sided Spanning Top



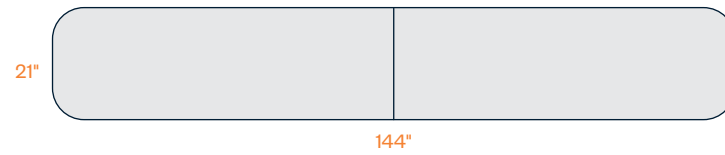
Double-Sided Spanning Top



Single-Sided Spanning Top

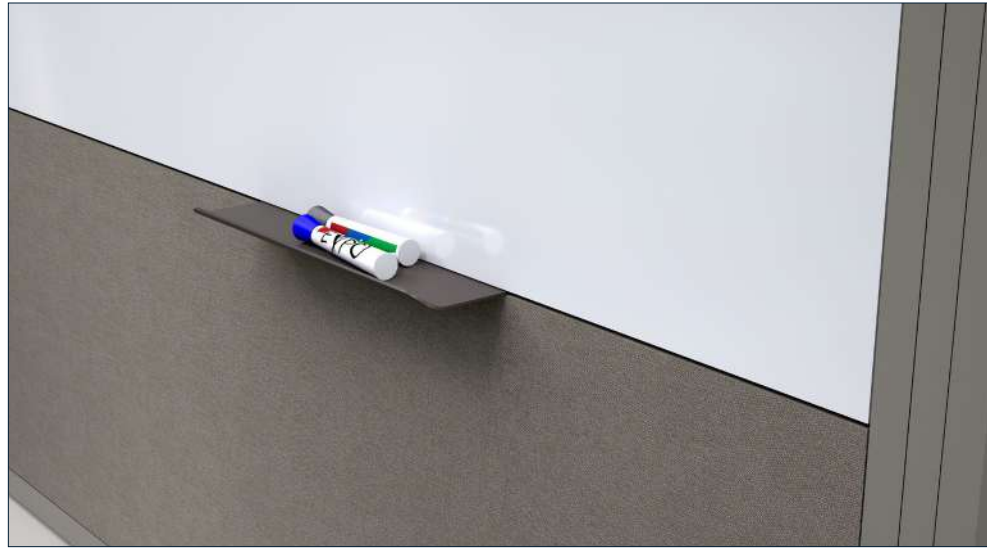


Double-Sided Spanning Top



Accessories

Additional Accessories



Accessory Tray

- Mounts into functional 5 mm reveal on Tile-Tile and Tile-Insert Rails
- Depth of 4" (101.6 mm)
- Available in painted metal finish
- Available in 18" (457.2 mm), 30" (762 mm), and 42" (1066.8 mm) lengths



Ledge

- Attaches into 5 mm reveal with continuous mount bracket
- Laminate surface finish
- 1 mm edgeband
- Available in 24" (609.6 mm), 36" (914.4 mm), and 48" (1219.2 mm) lengths



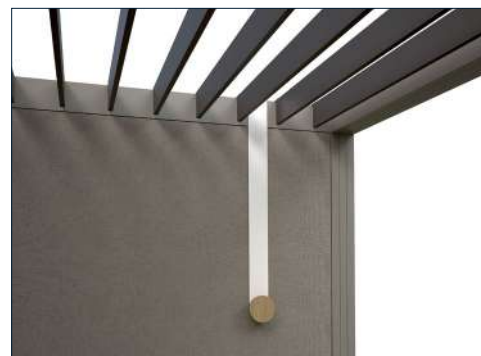
Worksurface Bracket

- Brackets attach into 5 mm reveal
- Select worksurface from existing portfolio of supported worksurfaces



Coat/Bag Hook - Reveal Mount

- Single 4" (101.6 mm) diameter hook to hang an accessory
- Mounts into 5 mm reveal
- Painted metal bracket finish with White Oak knob



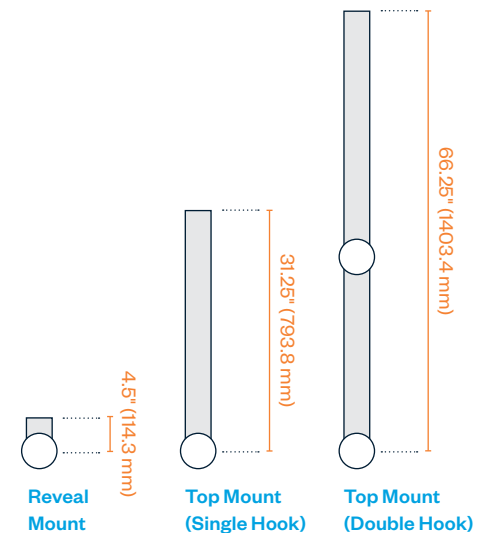
Coat/Bag Hook - Top Mount

- Single or double 4" (101.6 mm) diameter hook to hang accessories
- Painted metal bracket finish with standard White Oak knob/s



Top Mount Connection

- Coat Hook mounts into attachment slot on Top Rail



Ceiling Components

Designed as an open grid, the Ceiling Slats provide additional enclosure and sense of privacy to a Pergola space. The optional Light Trough attaches to the Top Rails and provides a means of attaching lighting.



Features

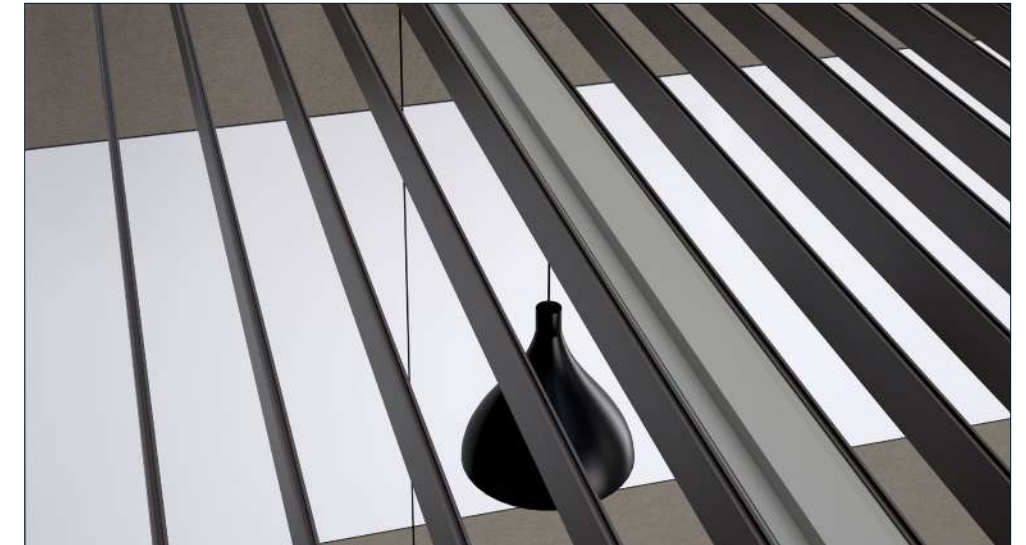
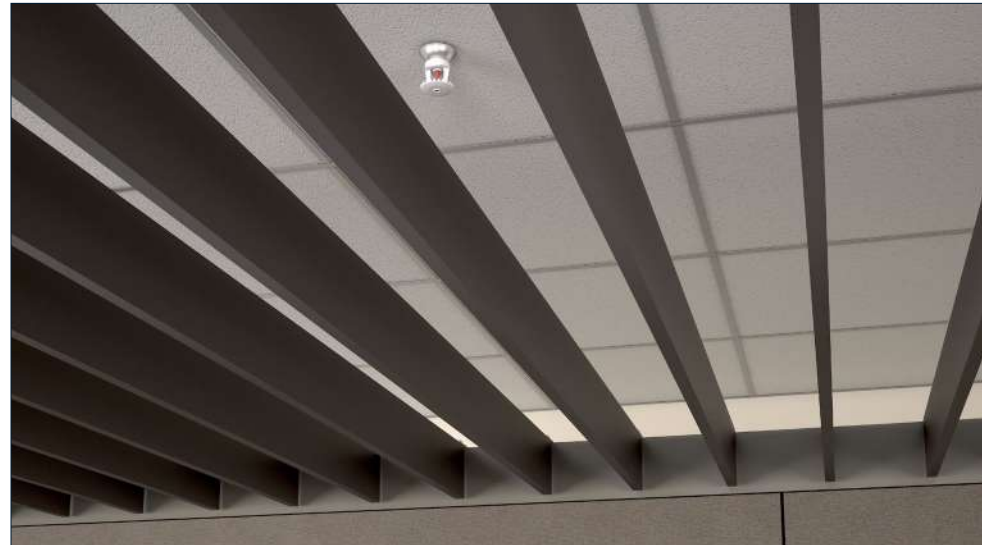
- Aluminum extruded Ceiling Slats clip into Top Rail attachment slot with standard spacing of 6" between slats
- Ceiling Slats may be used in both straight and round applications
- Painted metal finish
- For square or rectangular rooms, Ceiling Slats may be oriented in either direction
- For round applications, Ceiling Slats are attached perpendicular to the Top Rail

Sizes and Dimensions

- Ceiling Slats
 - Lengths: 4' (1219.2 mm), 6' (1828.8 mm), 8' (2438.4 mm), 10' (3048 mm), and 12' (3657.6 mm)
 - Height: 3.625" (92.1 mm)
 - Depth: 0.59" (15 mm)
- Light Trough:
 - Lengths: 4' (1219.2 mm), 6' (1828.8 mm), 8' (2438.4 mm), 10' (3048 mm), and 12' (3657.6 mm)
 - 70" (1778 mm) Radial
 - Height: 2.625" (66.7 mm)
 - Depth: 5.33" (135.4 mm)

Ceiling Slats & Light Trough

Ceiling Slats



Ceiling Slat Spacing

- Slats mechanically attach to Top Rail at each end
- Initial slat installed at 3" (76.2 mm) from parallel Top Rail
- Typical slat spacing of 6" (152.4 mm)
- Spacing determined by installer

Sprinkler Access

- Ceiling Slat spacing meets NFPA guidelines for open grid ceiling
- Local authority or fire protection contractor should be consulted for each project

Light Trough and Cover

- May be used with or without Ceiling Slats
- When used with Ceiling Slats, the Light Trough is placed between two slats
- Light Trough Cover conceals electrical, hardware, and attachments from above
- Light Trough can be used with or without the cover

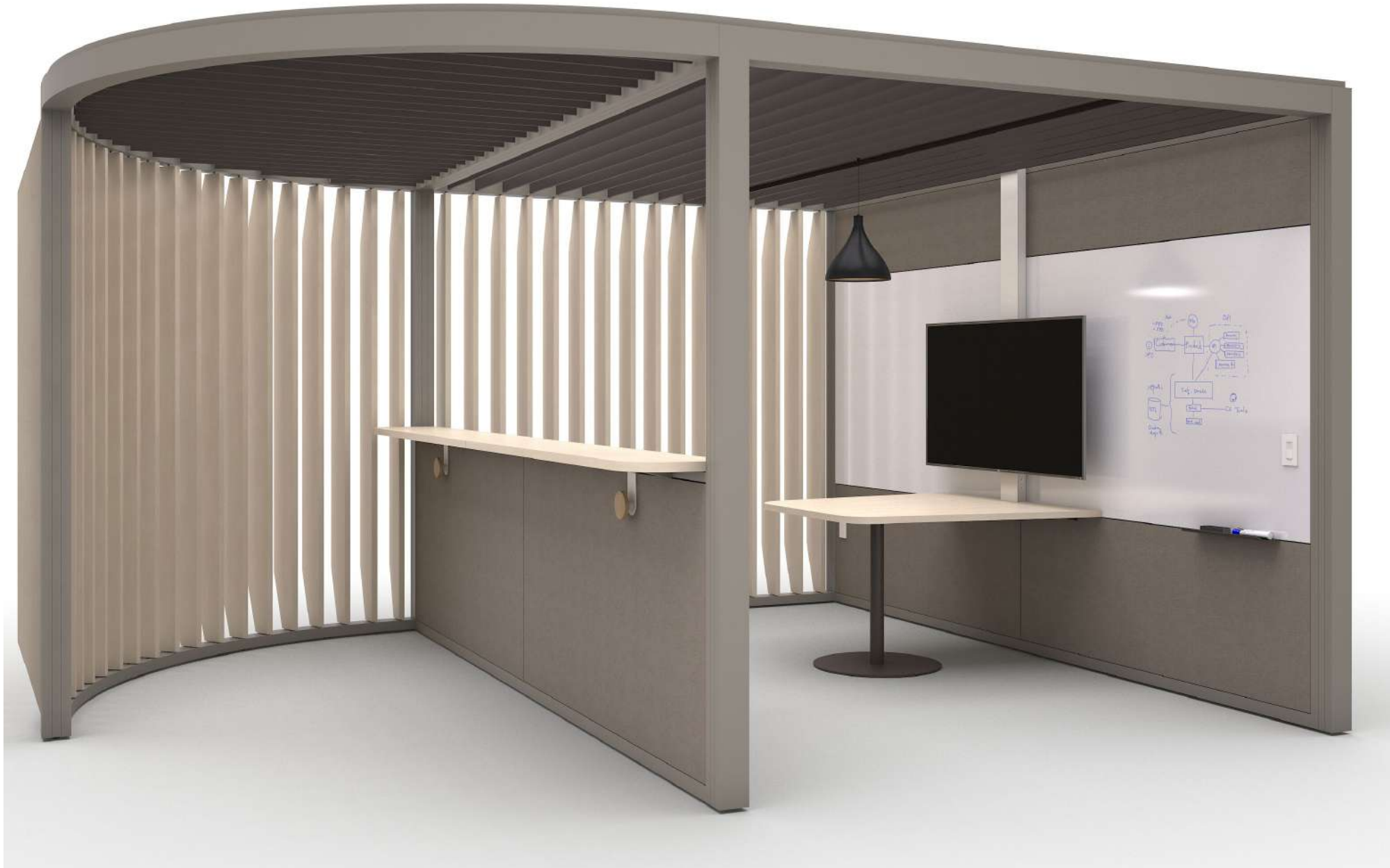


Ceiling Slat Orientation

- For rectilinear Pergola applications, Ceiling Slats may be oriented in either direction depending on visual preference

Electrical & Data

Pergola has two ways of distributing power: in-wall electrical and electrical that is routed into the workspace through a Tech Tower. In-wall electrical is routed throughout the space via Top Rails and a Light Trough (if applicable), while a Power Distribution Assembly (PDA) and Jumpers route power to devices within the interior tile cavity. The Tech Tower is a proud-mounted electrical system that accommodates utility power devices, low voltage, and audio/visual cables.



Features

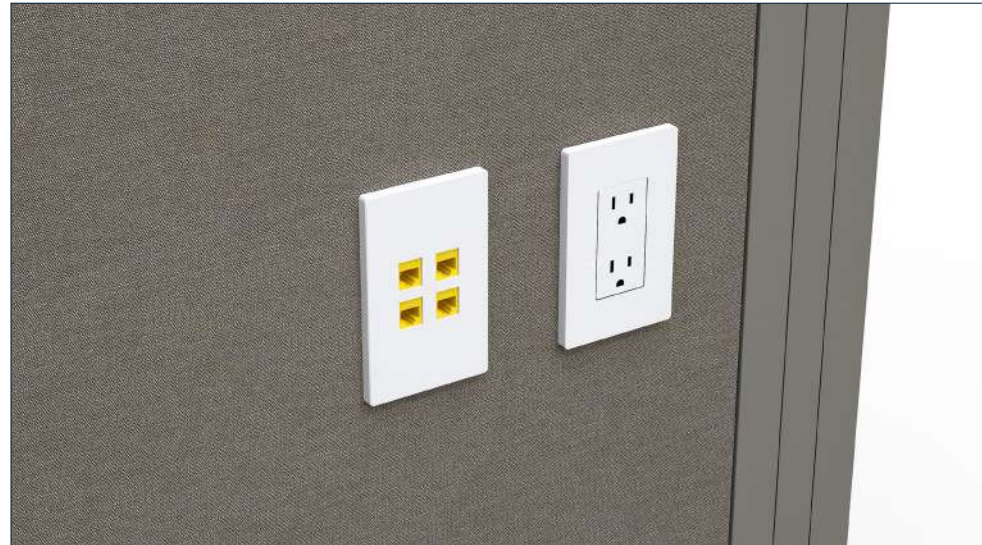
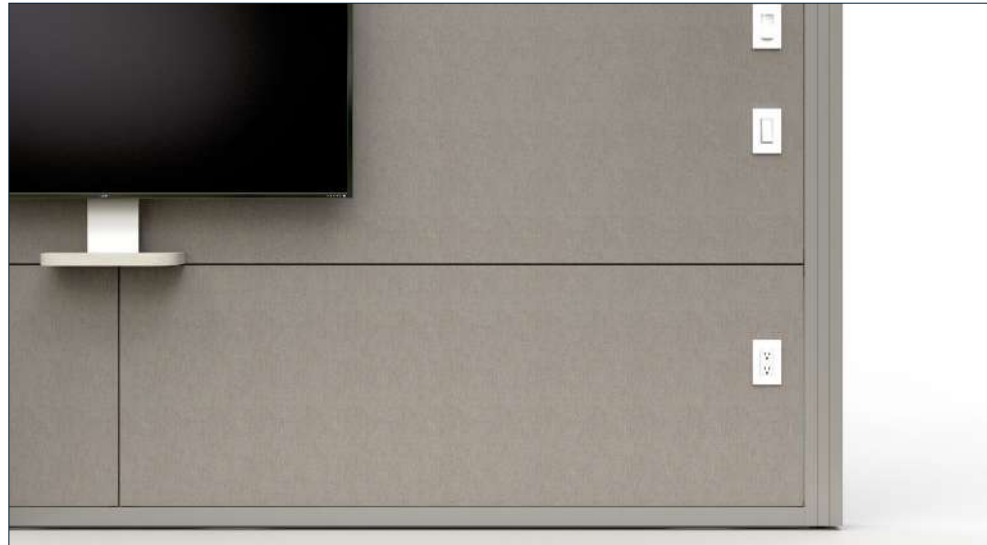
- In-wall electrical supported in tile assemblies
- All exposed devices trimmed with a white “screwless” Decora style faceplate
- Devices and boxes are single gang and installed on-site
- Left-hand, center, and right-hand device orientations available
- All applicable tiles and framing components are prepped in the factory for electrical integration and distribution, reducing installation time
- Cables and connectors are routed within the interior tile cavity through access cutouts in the internal framing
- The recommended maximum number of devices is three locations per tile span
- Top covers snap into place on Top Rails and at the top of posts to conceal wiring and cables from view
- Tech Towers available in three heights:
 - Full Height
 - Seated Height
 - Standing Height
- Monitor mounting options on tile assembly and Tech Tower

Sizes and Dimensions

- Standard Electrical Heights:
 - 18" (457.2 mm) – Utility Power and Low Voltage
 - 42" (1066.8 mm) – Switch, A/V Power and Data (Seated), Utility Power (Standing) and Low Voltage
 - 53" (1326.2 mm) – A/V Power and Data (Standing) and Low Voltage
- Recommended AV Heights:
 - 49.2" (1249.7 mm) AFF – Seated AV
 - 59" (1498.6 mm) AFF – Standing AV

Electrical Integration

Electrical Details



Electrical Device Types & Infeed Locations

	Conventional	Pre-Wired	Low Voltage
Infeed (top or bottom)	•	•	•
Utility Power (single gang, UL listed box, device, and face plate)	•	•	
Switching (single gang, UL listed box, device, and face plate)	•		•
Data/AV/Other (single gang retrofit box, device, and face plate)			•

Electrical Height Options

- Three vertical height options (AFF to center of box)
 - 18" (457.2 mm)
 - 42" (1066.8 mm)
 - 53" (1326.2 mm)
- Three horizontal locations: left, right, center

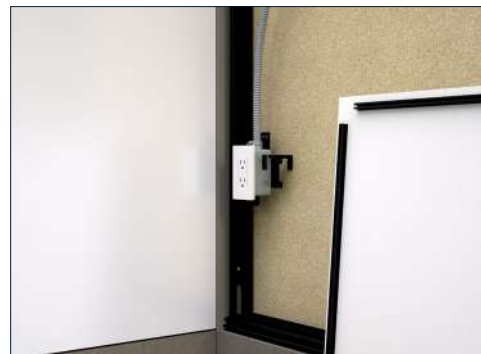
Power/Data Tile Integration

- Prewired 15 Amp Decora style conventional device with quick connect feed
- Switches, data ports, and other devices to be installed by qualified trades
- Tiles come prepped to easily accommodate electrical devices onsite



PDA Attachments

- Infeed routes through access cutouts in rails and attaches to PDA with quick connect
- PDA bracket assembly secures to internal framing vertically or horizontally

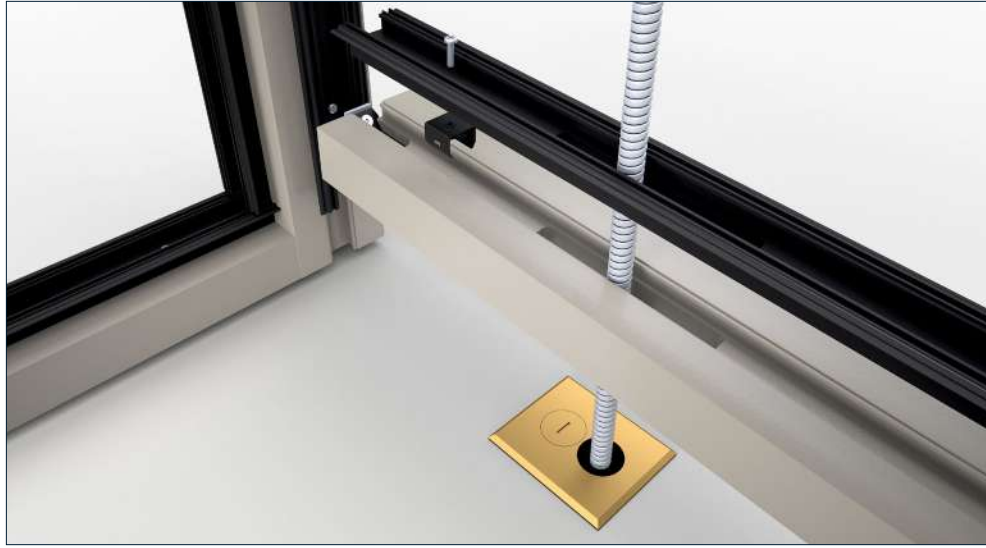


Utility Power Device

- Available in pre-wired and conventional
- Power device attached to internal framing with vertical mounting bracket
- Left, right, and center locations
- Pre-wired cable terminates at connector head, attaching to PDA within tile cavity

Electrical Integration

Electrical and Data Distribution



Bottom Feed

- Bottom infeed is routed through access cutouts in bottom rail and into tile cavity
- Coordination may be required with qualified trades and local authority



Top Feed

- Top feed fed down from supplied junction box in the ceiling plenum and through top feed cover, which conceals conduit and low voltage cables
- Top feed assembly painted to match frame by default; other colors available
- Coordination may be required with trades and local authority



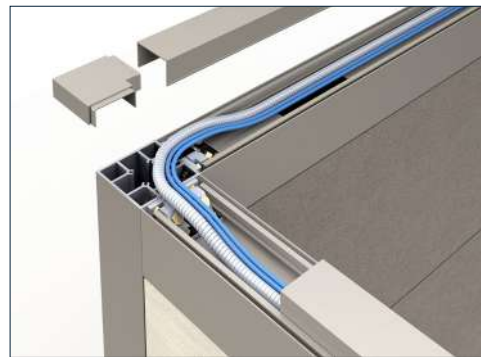
Light Trough Integration

- Lighting attached to underside of Light Trough
- Maximum of two prep locations per Light Trough
- Center, one-side, or outside (x2) prep options available
- Max Weight of Light (1 box) – 50 lbs (22.7 kg)
- Max Weight of Lights (2 boxes) – 100 lbs (45.5 kg) evenly distributed between two boxes



Electrical & Data Routing

- Cabling routed throughout workspace with the use of access cutouts in Top Rail



Routing Around Perimeter

- Cabling routed up and over Top Rail and top joint assembly
- Optional covers secure cables in place and conceal them from view

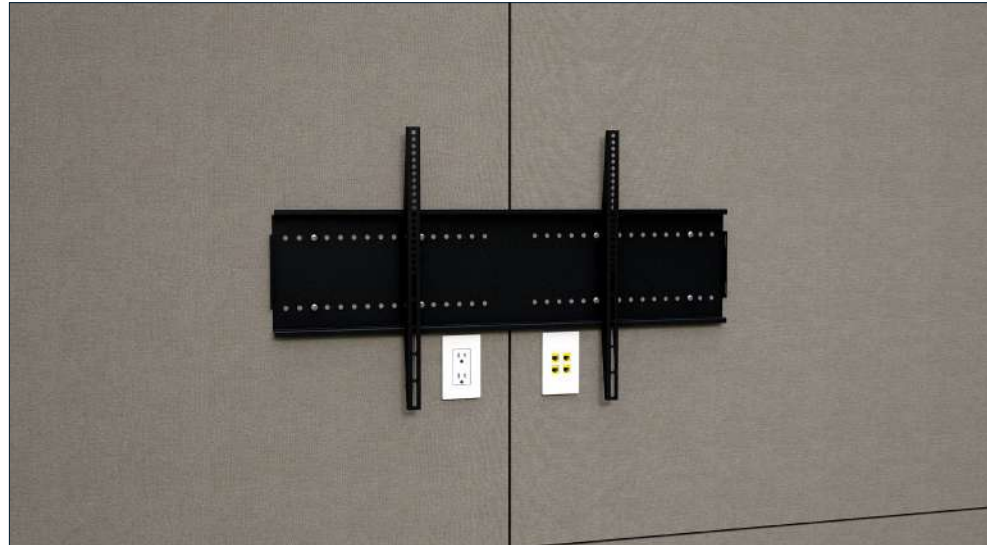


Routing into Light Trough Assembly

- Cabling routed from Top Rail and over connection hardware to Light Trough
- Optional covers secure cables in place and conceal them from view

A/V Integration

In-Wall A/V Integration



Monitor Mount

- Haworth supplied or third party monitor mounts can be fixed to the tiles
- Mount has vertical adjustment to accommodate independent monitor height

Plywood Backing

- Required to secure monitor and other heavy items (e.g., artwork, accessories) to tile assembly
- Haworth supplied 3/4" (19 mm) thick plywood used
- Monitors up to 165 lbs (75 kg) supported



Seated-Height Monitor Application

- Seated-height tile configuration
- Recommended mounting height of 49.2" (1250 mm) AFF



Standing-Height Monitor Application

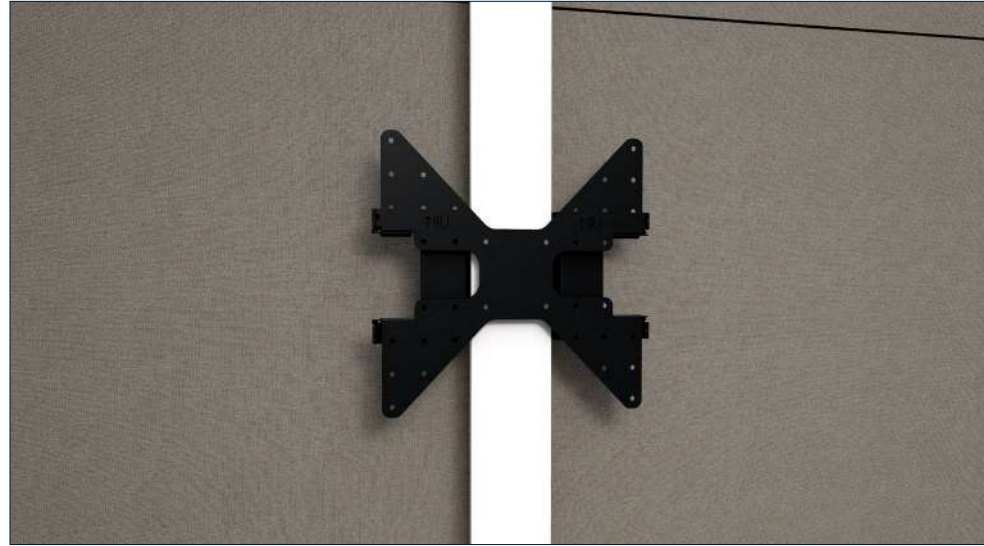
- Standing-height tile configuration
- Recommended mounting height of 59" (1499 mm) AFF

Tech Tower A/V Integration



Tech Tower Cable Routing

- Cabling routed from Top Rail into Tech Tower
- Full-height Tech Tower accommodates top or bottom feed electrical
- Seated- and standing-height Tech Tower accommodate top feed only



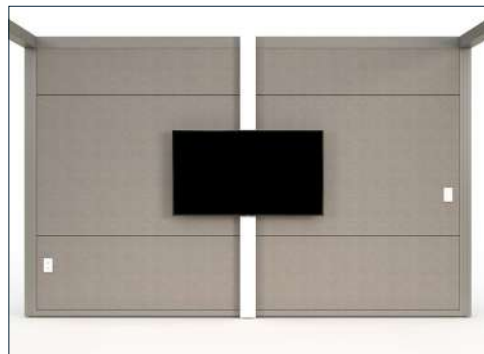
Monitor Mount Accessory Bracket

- Designed to accommodate VESA Pattern of 200x200 up to 400x400
- Predetermined mounting heights of 49.2" (1249.7 mm) and 59" (1498.6 mm) AFF
- Monitors supported up to 165 lbs (75 kg)



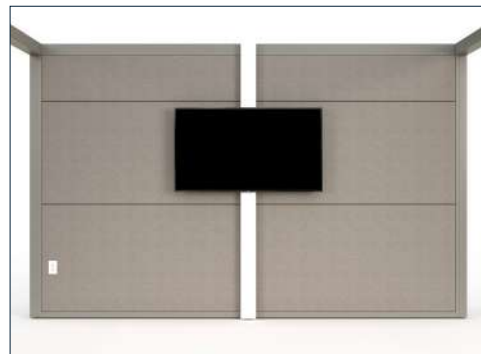
Tech Tower Accessory Outlets

- Electrical and pass-through outlets for ease of A/V installation



Full-Height – Seated Application

- Monitor mounted at a height of 49.2" (1249.7 mm) AFF



Full-Height – Standing Application

- Monitor mounted at a height of 59" (1498.6 mm) AFF



Partial-Height – Seated Application

- Available with worksurface (shown) or ledge



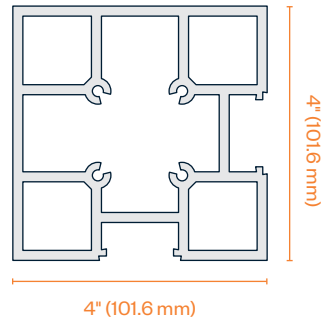
Partial-Height – Standing Application

- Available with worksurface or ledge (shown)

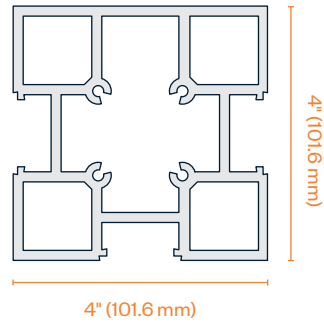
Dimensional Logic

Posts

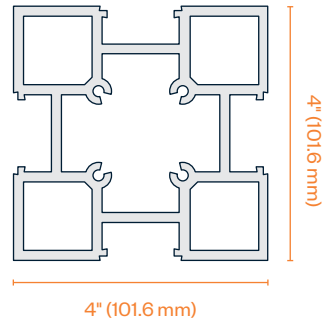
2-Way Post



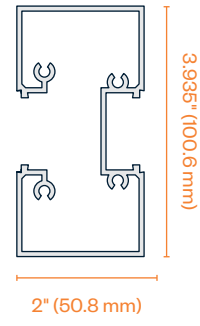
3-Way Post



4-Way Post

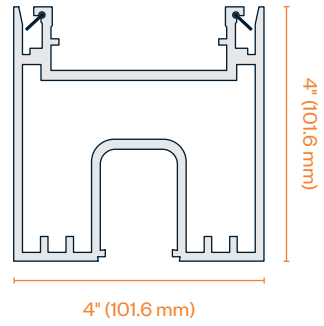


Underbeam End-of-Run

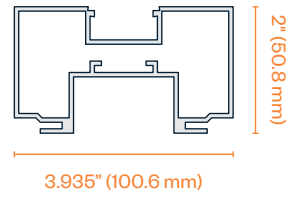


Top and Bottom Rails – Straight

Top Rail

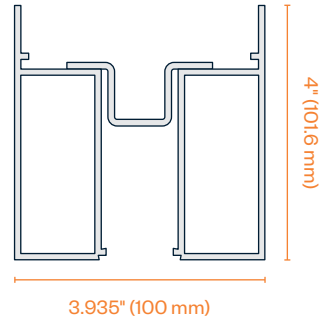


Bottom Rail

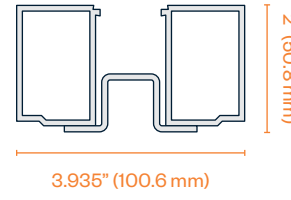


Top and Bottom Rails – Radial

Top Rail

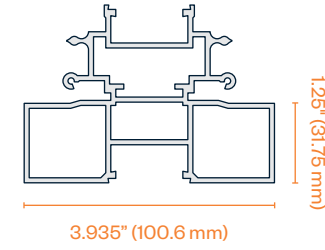


Bottom Rail



Horizontal Rail

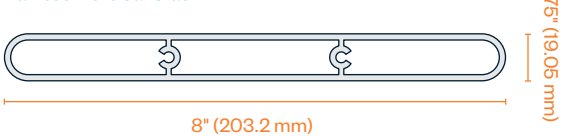
Tile-Insert Rail



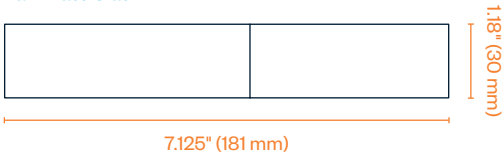
Dimensional Logic

Slats

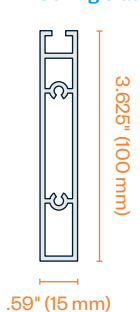
Painted Vertical Slat



Laminate Slat

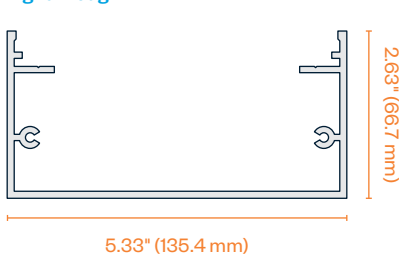


Ceiling Slat

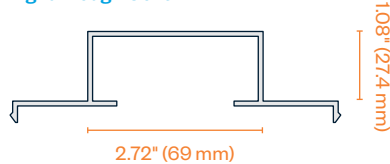


Other

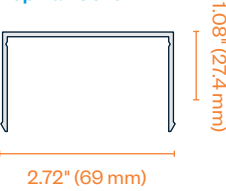
Light Trough



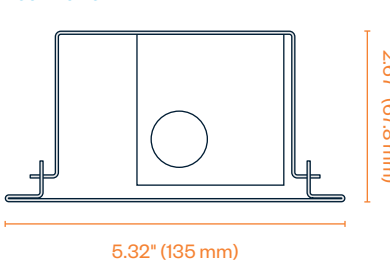
Light Trough Cover



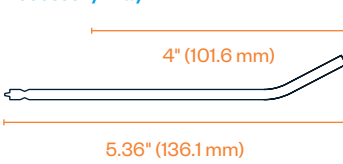
Top Rail Cover



Tech Tower



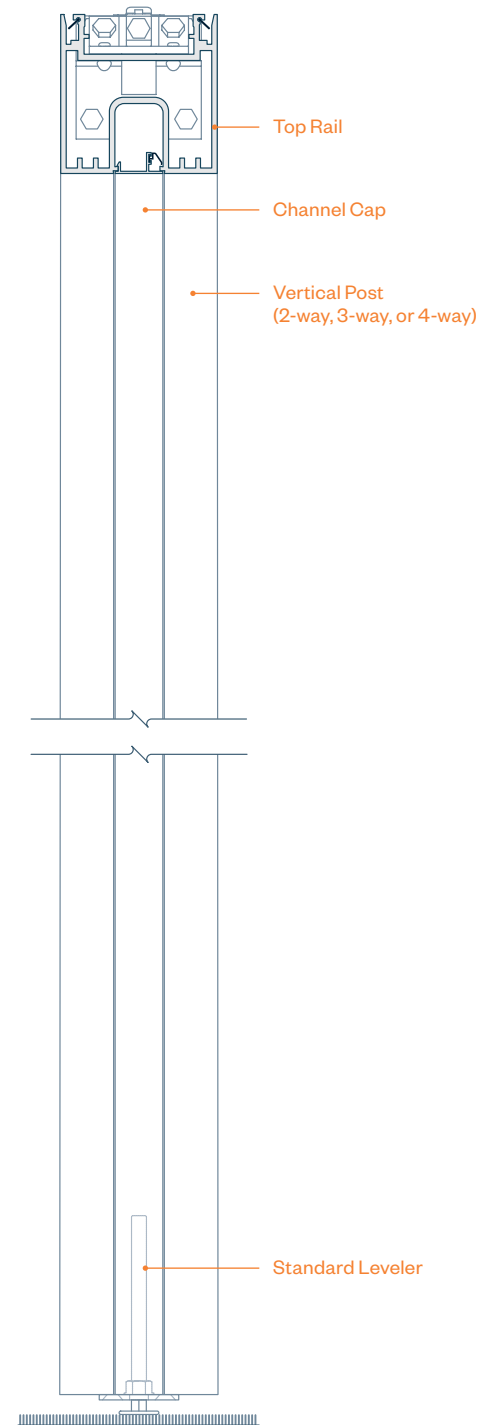
Accessory Tray



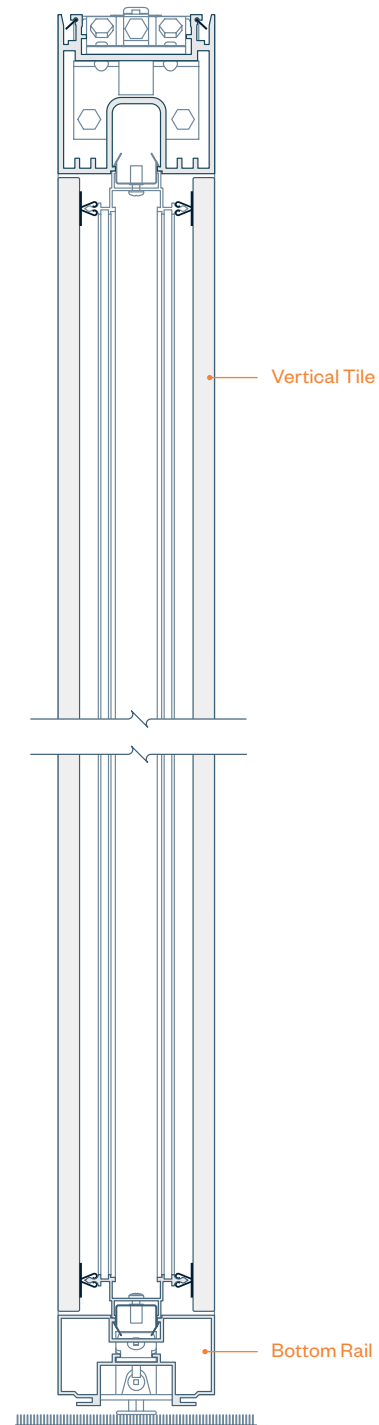
Section Details

Vertical Section Details

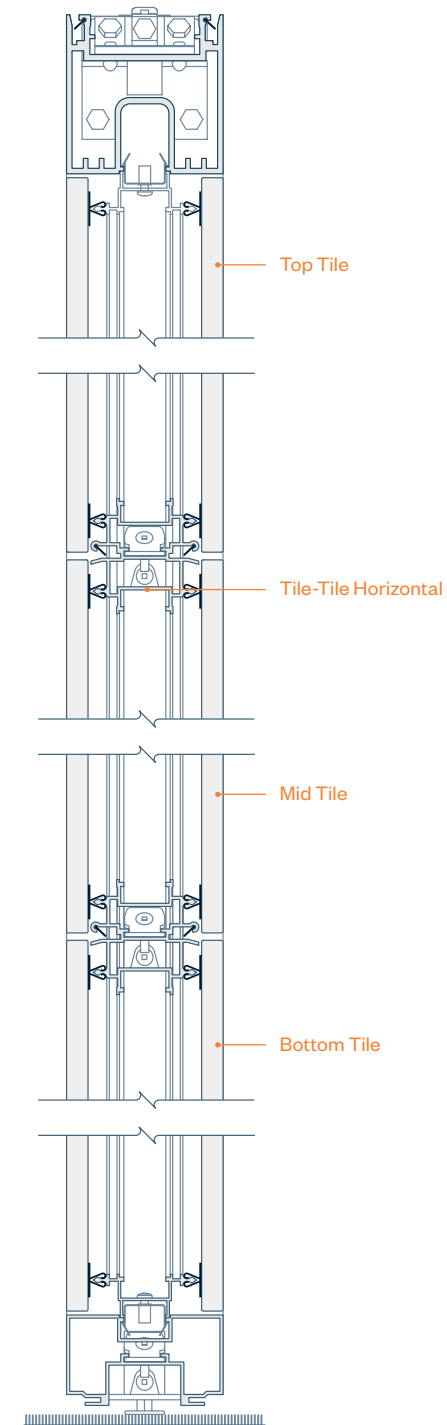
Open Frame Floor to Ceiling



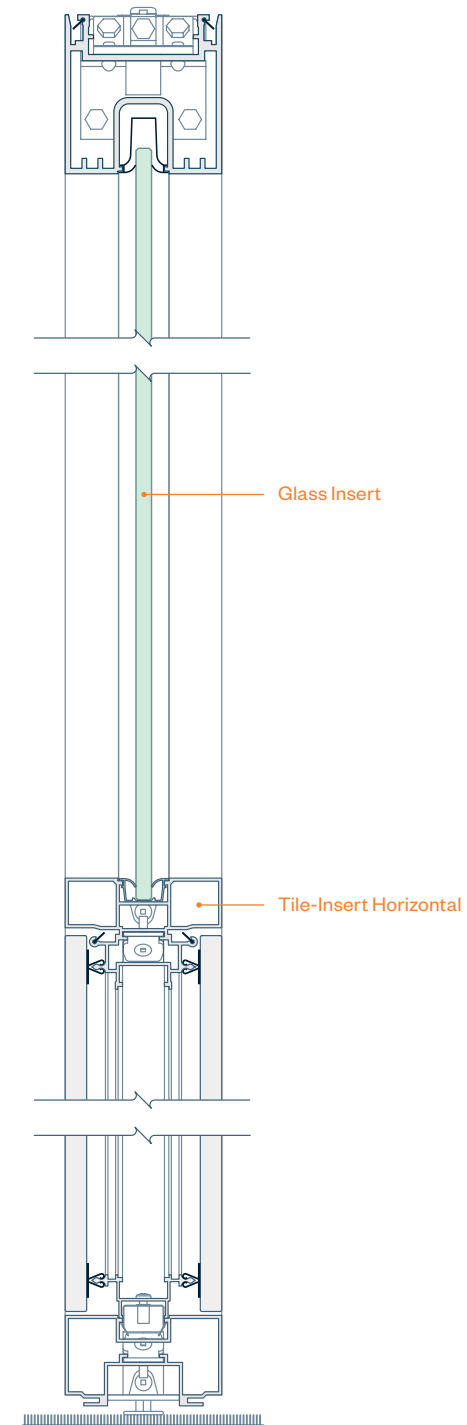
Full-Height Vertical Tile



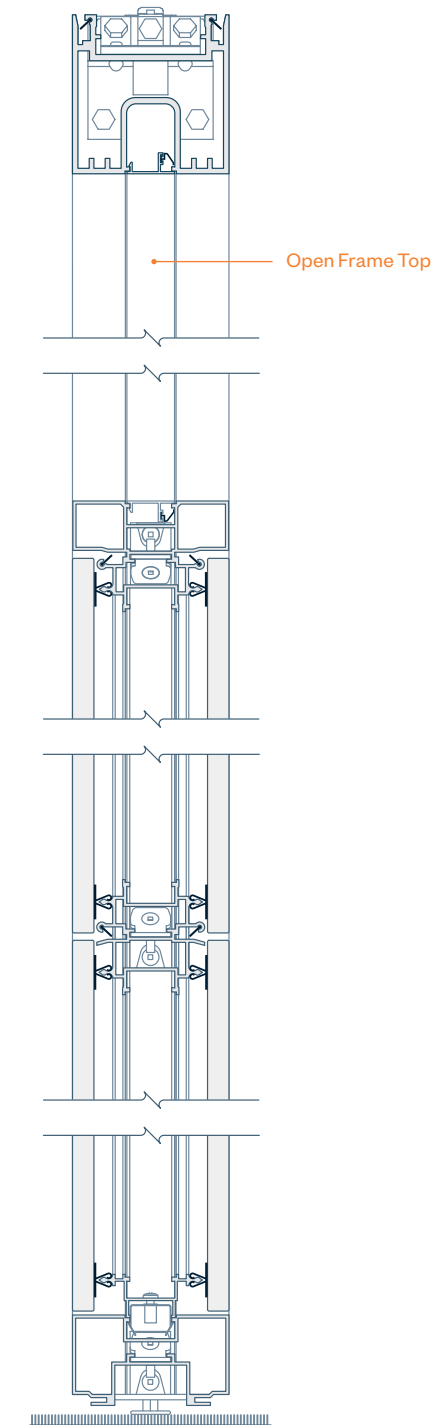
Full-Height Horizontal Tile



Tile to Insert Transition



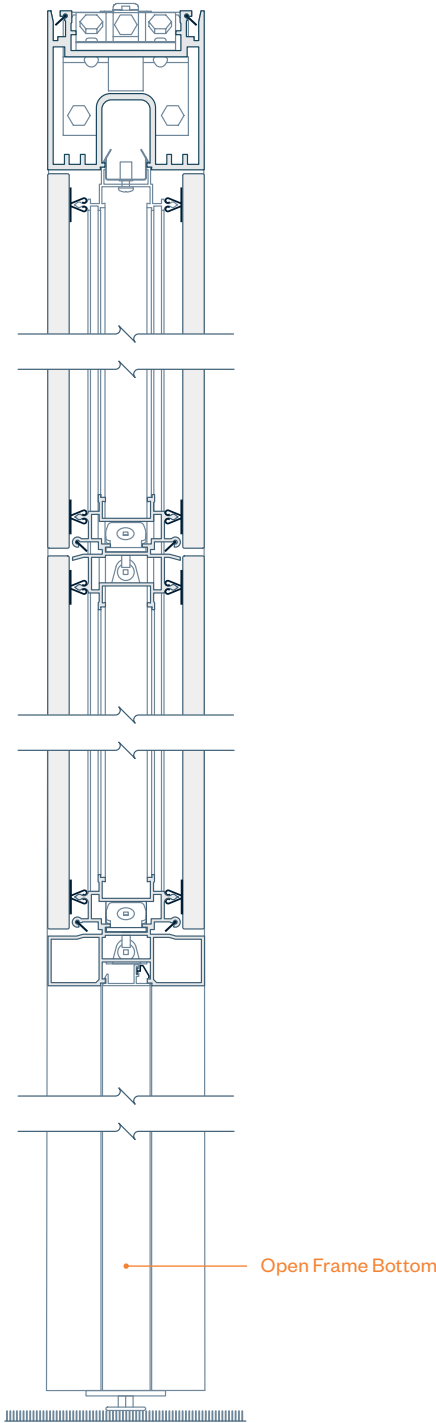
Tile to Open Frame Transition



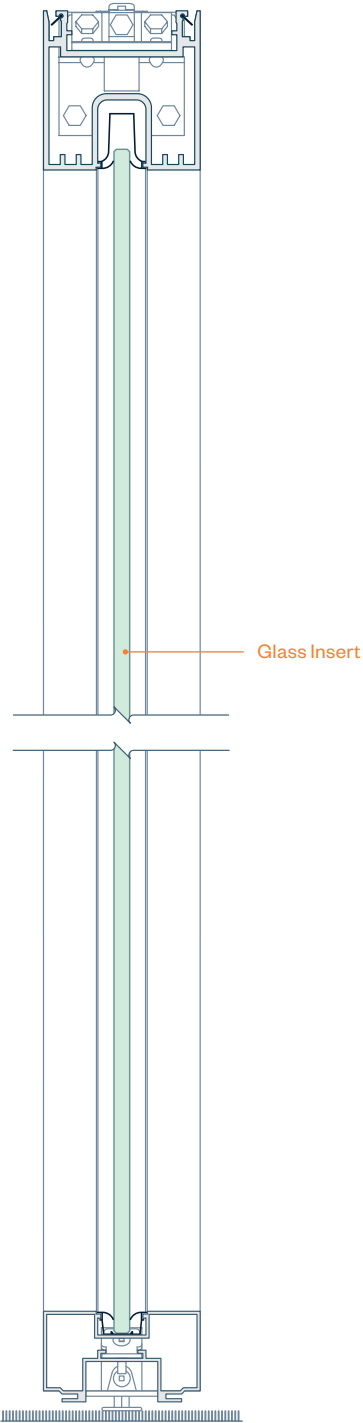
Section Details

Vertical Section Details

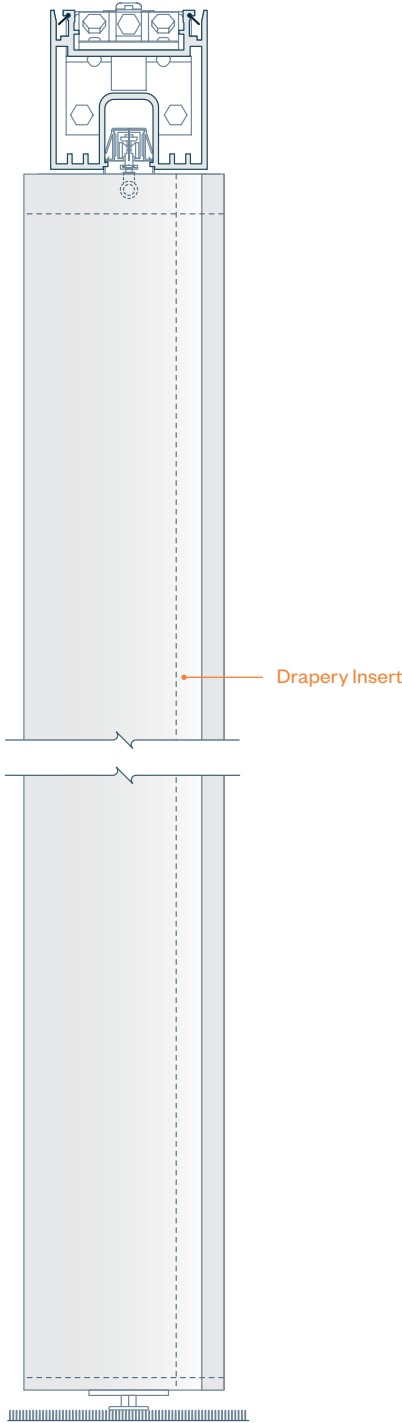
Open Frame Bottom to Tile Transition



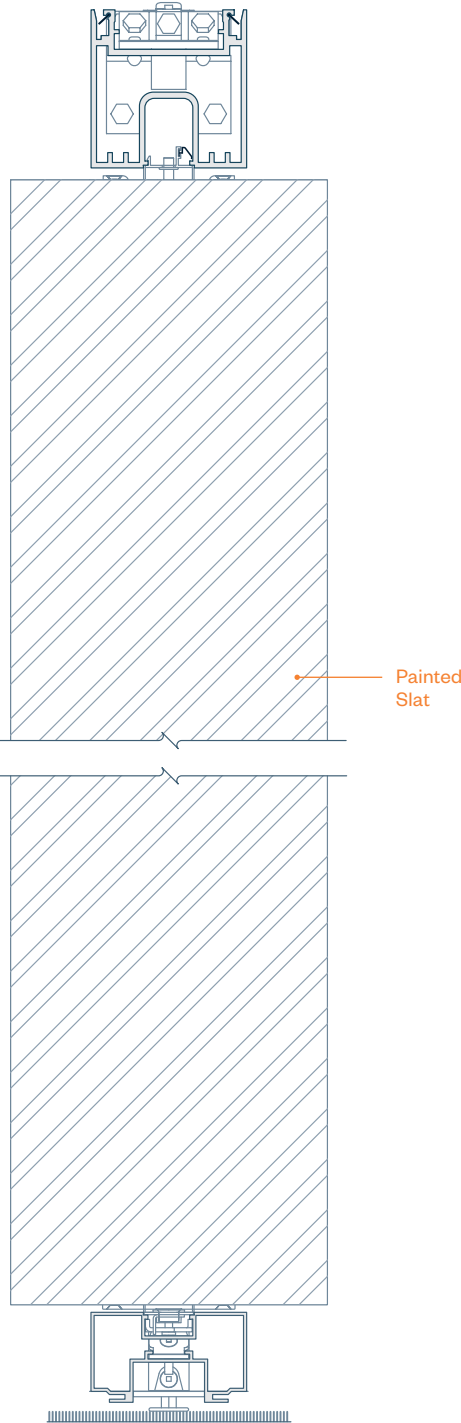
Full-Height Glass Insert



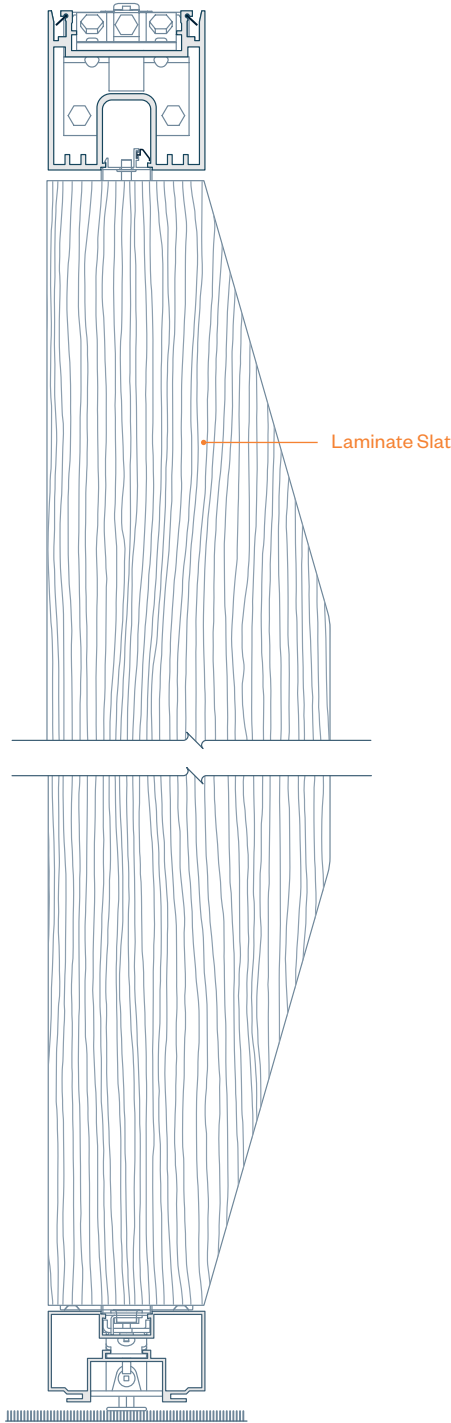
Drapery



Painted Slats



Laminate Slats



Applications

As part of Haworth's Integrated Palette™ portfolio, Pergola can be combined with a wide range of desking, systems, tables, and other architectural products. Consistent dimensions, connections, and finishes future-proof your interiors, ensuring that Haworth products you choose today will function and fit aesthetically with the ones you add tomorrow.

Ceiling Slats & Vertical Painted Slats



Markerboard, Laminate, Glass, & PET



Drapery, Full-Rounds, & Painted Vertical Slats



Lighting, Half-Rounds, & Accessories



