

# Mani Bell

MARCH 2026  
SPEC

Sconce Small/Large  
(ENTI-MAN-BEL S/L)



<b>Materials</b>	Shade	– Australian porcelain
	Hardware	– Brass (standard) – Brushed Nickel – Antique Brass – Blackened Brass
	Cover	– Frosted Glass
<b>Size &amp; Weight</b>	Small	– H140 x Ø170mm / ≈ 0.75kg
	Large	– H168 x Ø183mm / ≈ 1.0kg
<b>Light Source</b>	Lamp Type	– G9 LED ONLY (Not Included)
	Wattage	– Maximum 30W
	Dimmability	– Yes, Lamp Dependant
	Colour temperature	– Lamp Dependant
<b>Electrical</b>	Rated Voltage	– 220-250V AC
	Frequency	– 50hz
	IP Rating	– IP44
	Warranty	– 2 Years
	Compliance	– AS/NZS 60598-1:2024 IEC&EN 60598.1  

## Colour Range



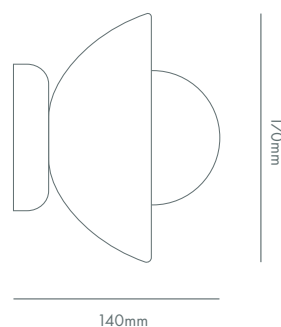
\*translucency, \*\*premium price suppliment

## Mani Bell - Sconce

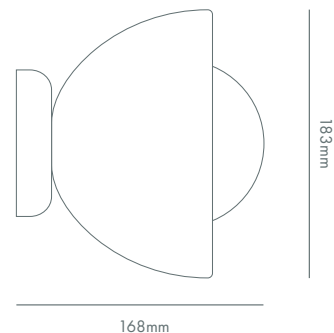
Handcrafted in our Sydney studio from fine Australian porcelain, this two-part construction allows both the mount and bowl to be cast in different shades, opening up opportunities for creative expression exploring bold contrasts or tonal pairings.

Ideal for limitless internal applications from wall to ceiling and with an IP44 rating, both sizes are suitable for bathrooms and outdoor undercover.

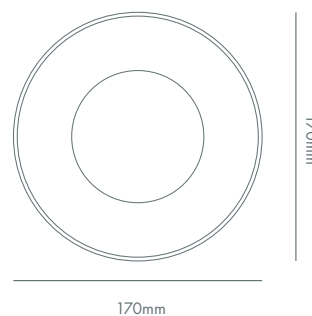
### Small-Side



### Large-Side



### Front



10 Hill St, Leichhardt, NSW 2040  
info@studioenti.com.au  
+61 (0) 429 127 713  
www.studioenti.com.au

StudioEnti