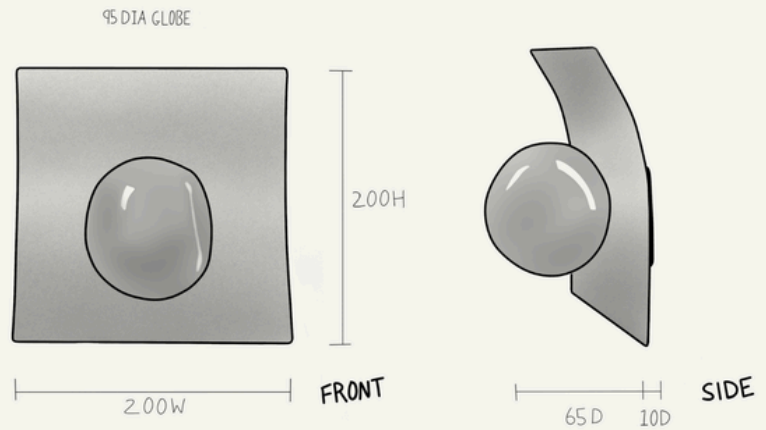



WE PONDER

NUDGE STAINLESS STEEL & GLASS WALL LIGHT

Interior application

Proudly Handmade in Tasmania



NAME	Nudge Wall Light
PRODUCT CODE	WP_NDG_SS_G9
DIMENSIONS (mm)	200W x 75D x 200H
WEIGHT (kg)	1
MATERIAL	Brushed Stainless Steel and Opaque Glass
LIGHT FITTING CODE	LF105
LIGHT DIRECTION	Face Lighting
LIGHT SOURCE	G9 220-240V, LED Globe 5W, 2700k (included).
IP RATING	IP-65
WARRANTY	3 years
CERTIFICATION	

**The glass globe may feature small bubbles, blotches or subtle variations within the colour. These characteristics are a natural part of the handblown glass process and are celebrated as part of the unique handmade nature of each piece. Due to the fabrication and hand finished process of the stainless steel components, minor scratch marks or surface imperfections may be visible on the reverse side.*