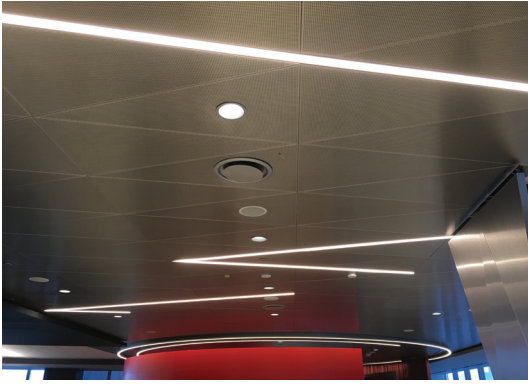




GridLineLED 1.5, 2.5 or 3.0, 4.0 or 6.0

x 1-3/4"

Type:

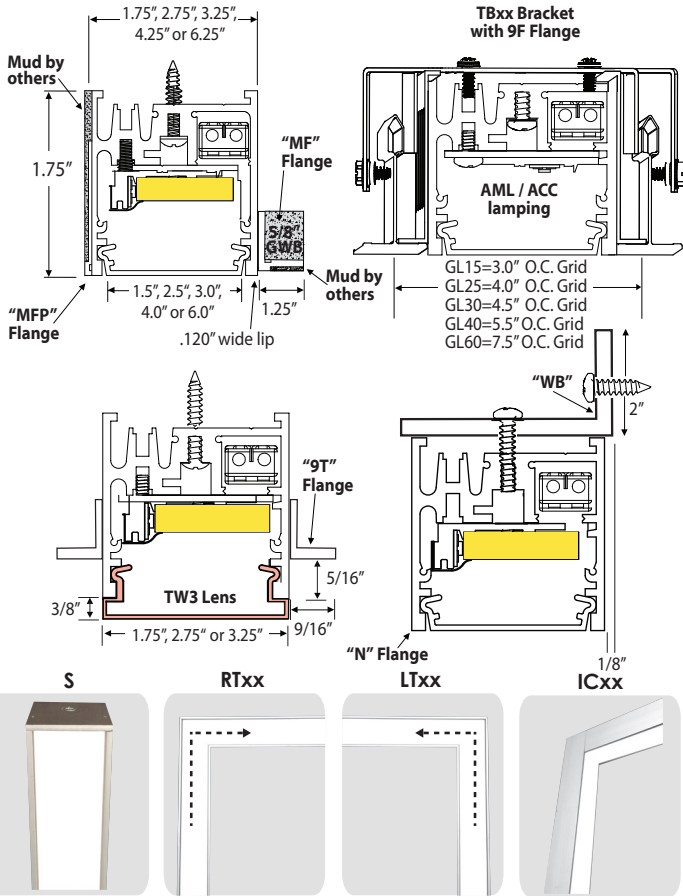
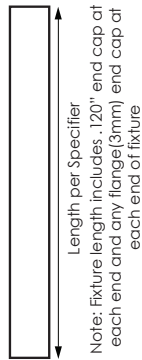


Shallow lines of light the thickness of a T-bar
Use in ACT, Drywall or Surface mount applications

Can be integrated with matching width SimpleLine fixtures in same run

Continuous seamless lens 26' with W or 10' TW3

Shadow free lens without pixels or lines
LED panels are replaced through lens opening



Ordering

Series	GL15	<input type="checkbox"/>	GridLine LED 1.5 inch width
	GL25	<input type="checkbox"/>	GridLine 2.5 inch width
	GL30	<input type="checkbox"/>	GridLine 3.0 inch width
	GL40	<input type="checkbox"/>	GridLine 4.0 inch width
	GL60	<input type="checkbox"/>	GridLine 6.0 inch width
Lamping	3KL	<input type="checkbox"/>	88lu/ft LED 2.5w/ft (8w/m) (30 & 35K only)
	3AKL**	<input type="checkbox"/>	143lu/ft LED 2.5w/ft (8w/m) (30 & 35K only)
	1ML	<input type="checkbox"/>	175lu/ft LED 4.9w/ft (16w/m)
	1AML**	<input type="checkbox"/>	285lu/ft LED 4.9w/ft (16w/m)
	2ML	<input type="checkbox"/>	350lu/ft LED 9.8w/ft (32w/m)
	2AML**	<input type="checkbox"/>	570lu/ft LED 9.8w/ft (32w/m)
	__CC	<input type="checkbox"/>	Constant Current LED Up to 8.0w/ft (up to 485lu/ft)
	__ACC**	<input type="checkbox"/>	Constant Current LED Up to 8.0w/ft (up to 791lu/ft)
**Available in GL15 series only			
Color	27	<input type="checkbox"/>	2700K, 85+ CRI
	30	<input type="checkbox"/>	3000K, 85+ CRI
	35	<input type="checkbox"/>	3500K, 85+ CRI
	279	<input type="checkbox"/>	2700K, 90+ CRI
	309	<input type="checkbox"/>	3000K, 90+ CRI
	40	<input type="checkbox"/>	4000K, 85+ CRI
Consult for other colors, RGB or warm dim			
Wire Harness	1	<input type="checkbox"/>	Single
Lens	W	<input type="checkbox"/>	White
	TW3	<input type="checkbox"/>	3/8" Tall White overlaps end caps & side lips (GL15, GL25 & GL30 only, 10ft max. length)
	G	<input type="checkbox"/>	Custom graphics, braille to be added to lens
Driver	R	<input type="checkbox"/>	Remote
Start End	S	<input type="checkbox"/>	Straight End (no flange)
	F	<input type="checkbox"/>	Flange End to match Grid/Flange type below
	PAT	<input type="checkbox"/>	Use to denote patterns as drawn or multiple flanges
	RECF	<input type="checkbox"/>	__x__ Rectangle Flat XX" by XX" (see Ex. #4)
Length	xx	<input type="checkbox"/>	xx is distance in inch or mm
	xxFC	<input type="checkbox"/>	Allows housing to be field cut for exact fit
Transition	LTxx	<input type="checkbox"/>	Left Turn same plane (degrees 66° to 179°)
	RTxx	<input type="checkbox"/>	Right Turn same plane (degrees 66° to 179°)
	ICxx	<input type="checkbox"/>	Inside Corner (degrees 90°)
(Add Lengths & Transitions to form pattern)			
Grid/Flange Type	N	<input type="checkbox"/>	No flange
	MF	<input type="checkbox"/>	Mud-in flange, NA finish only
	MFP	<input type="checkbox"/>	Mud-in flange perpendicular to face, NA Finish only
	9F	<input type="checkbox"/>	9/16" flange flush
	9T	<input type="checkbox"/>	9/16" flange raised 5/16" for tegular tiles
	9iXL	<input type="checkbox"/>	Bracket, No Flange for Interlude® XL® or Donn DXI™
Flange Sides	A	<input type="checkbox"/>	All sides
	FL	<input type="checkbox"/>	Flange on Left side only
	FR	<input type="checkbox"/>	Flange on Right side only
Finish End	__	<input type="checkbox"/>	Choose from Start End choices listed above
Flange/Lip	NA	<input type="checkbox"/>	Natural anodized
	BK	<input type="checkbox"/>	Black
Color	BZ	<input type="checkbox"/>	Bronze
	WH	<input type="checkbox"/>	White
(Add E if entire fixture needs color)			
Units	in	<input type="checkbox"/>	inches
	mm	<input type="checkbox"/>	millimeters
Options	CL2Pxx	<input type="checkbox"/>	Longer length CL2P supply cable (std is 15ft) to reach remote power supply.
	CP	<input type="checkbox"/>	Chicago Plenum
	EF	<input type="checkbox"/>	Feed cable exits end (10' or shorter housings)
	EM	<input type="checkbox"/>	Feed cable labeled for connection to EM circuit
	TBxx	<input type="checkbox"/>	T-Bar Mtg. Bracket
	TRxx	<input type="checkbox"/>	Threaded Rod Mtg. Bracket
	WBxx	<input type="checkbox"/>	Wall Mount Bracket

Environmental Data

For 3KL lamping at 3000k:
W: 2.5W/ft (8W/m)
LLD: 50,000hrs @ 70%lm
40ft (6M) on one 100w driver

For Standard Output lamping at 3000k:
W: 4.9W/ft (16W/m)
LLD: 50,000hrs @ 70%lm
20ft (6M) on one 100w driver

For High Output lamping at 3000k:
W: 9.8W/ft (32W/m)
LLD: 50,000hrs @ 70%lm
10ft (3M) on one 100w driver

Temp range: 0° ~ 90°F (-20 ~ 30°C)
No Mercury, No UV, No Flicker
Warranty: 5 years
cETLus Damp Listed IC Rated

(*) Interlude XL and Donn DXI are registered trademarks of Armstrong & USG respectively

Contact factory for construction details to install in environments with ambient temperatures above 90° F for more than 5 hours.

Specifications and dimensions subject to change without notice. Protected under U.S. Pat. 8109659 and other patents pending. info@dadolighting.com v/f 877.323.6584

R-FLV Driver

Forward phase low voltage remote mounted power supply with 24Vdc Constant Voltage output for simple class 2 installation. 20W, 40W, 60W or 96W; 120V 60Hz input. Minimum 50% watt load required; e.g. 10W on ELV20
Dims to 20% with forward phase 2-wire magnetic low voltage dimmer. Short circuit and overload protected.
Non-IC installations.
Listed for 90 C conductors with 1/2" trade size knock outs.
NEMA 3R enclosure.

R-xxx-UNV Drivers

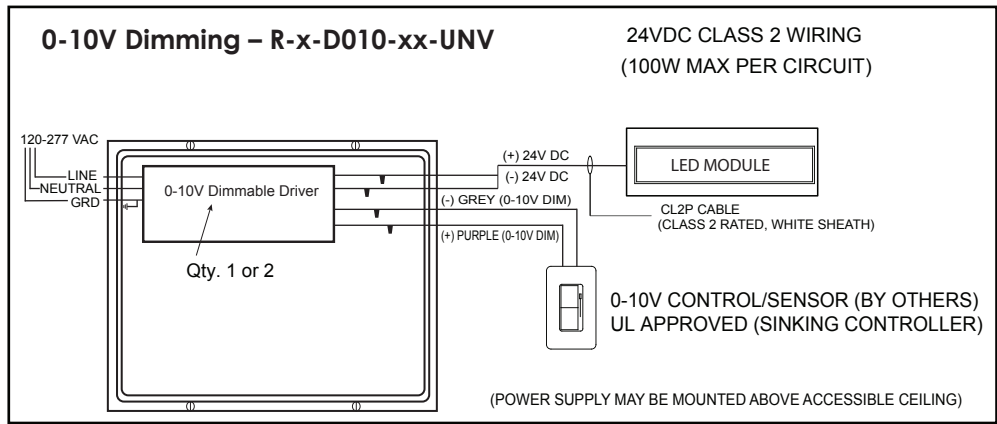
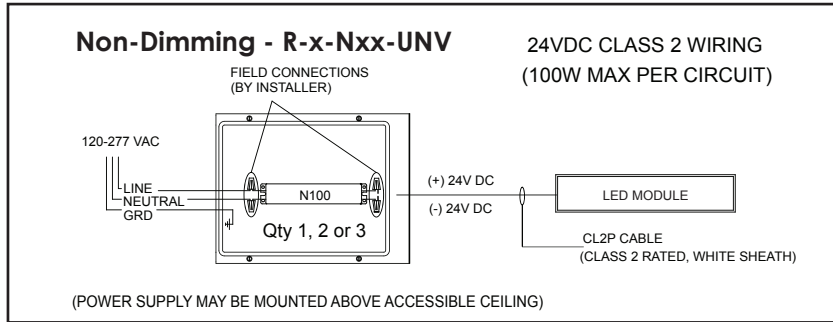
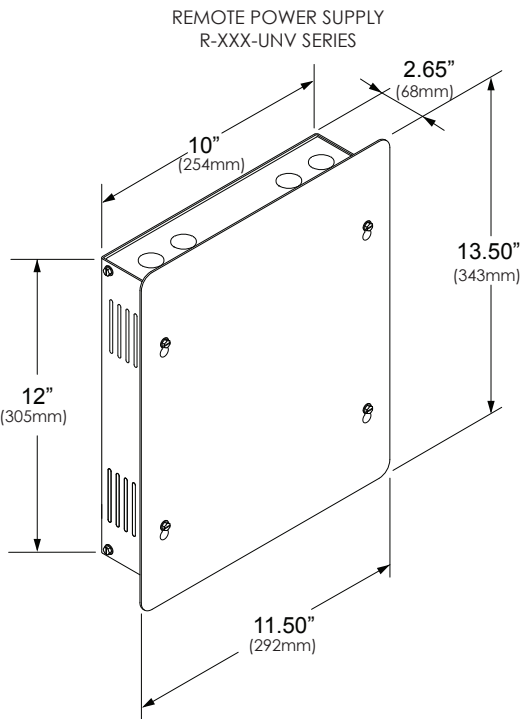
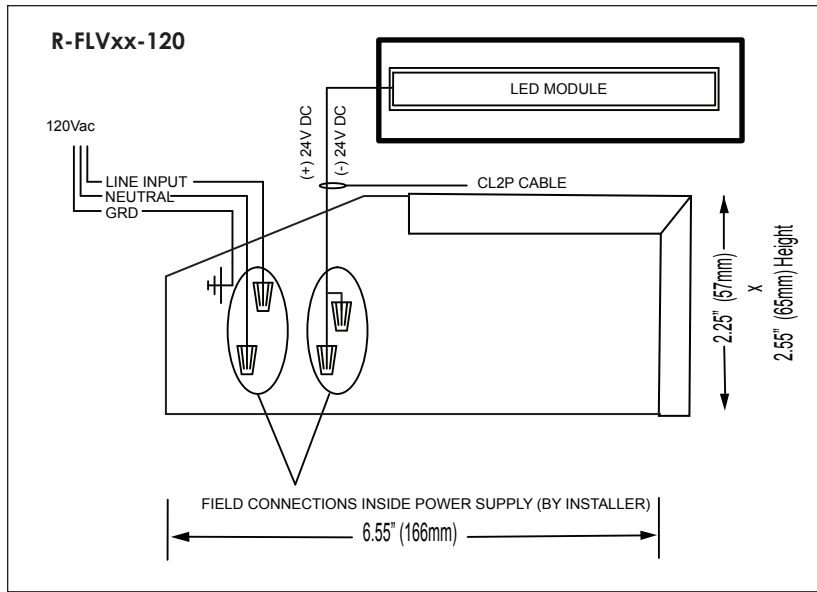
Remotely located power supply with 24Vdc Constant Voltage, or Constant Current, output for simple class 2 installation. Electronic Drivers 50/60 Hz, 120 thru 277 input. Choice of 0-10V dimming or switched on/off. Dimmable drivers with 3KL, 1ML, or 2ML may flicker below 10%. Use Constant Current version to dim to 1%.
Nxx requires 8W and D010 requires 20W minimum load
Type A Sound Rating,
Non IC installations standard; consult factory for IC installation.
May be surface mounted or recessed in 2x4 walls or above accessible ceilings.
Housing is die formed 16ga CRS with White painted after fabrication finish.
Listed for 90°C conductors with 1/2" trade size Knock Outs.

R-DLUT96-UNV Driver

* For use with 6P lamping only.
Dims to 1%
Remote power supply 24Vdc Constant Voltage Output. 50/60Hz, 120 thru 277V input.
Class A sound rated.
Rated for Damp location use. Non-IC installations.
Dims with 3-Wire dimmer or EcoSystem™ Requires 25W minimum load. For more info visit:
<http://www.lutron.com/TechnicalDocumentLibrary/369883.pdf>

Driver*	R	<input type="checkbox"/> Remote
Drive Qty Per Power Supply	-	<input type="checkbox"/> Blank for FLV & DLUTP type
	X	<input type="checkbox"/> Factory determined with Nxx or D010 type
Type	FLVxx	<input type="checkbox"/> Forward phase low voltage, 20, 40, 60 or 96W
	Nxx	<input type="checkbox"/> Non-dim 100W max.
	D010	<input type="checkbox"/> Dimming via 0-10Vdc
	D010-CC_	<input type="checkbox"/> **Constant Current (up to 8.0w/ft)
	DLUTP96	<input type="checkbox"/> Lutron Hi-Lume Premier 96W (6P lamping only)
Voltage	UNV	<input type="checkbox"/> Universal 120-277V for Nxx or D010 type
	120	<input type="checkbox"/> 120 only for FLV type
	CP	<input type="checkbox"/> Chicago Plenum rated enclosure

*Constant factor for DALI, DMX & Lutron driver options.
**Constant Current requires a factory programmed driver for each LED panel.



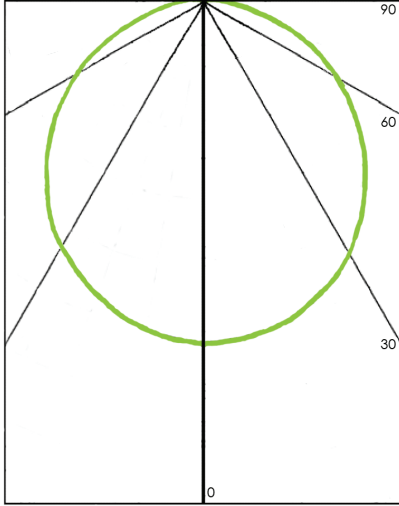
Photometric Data

BALLabs
Independent LM-79
Test No. 17943.0

Cat No.: LL15-2AML-35-1-W-R-S-24-S-in *
Meanwell Driver No.: LPV-20-24 operating at 120v
Total Lumens: 1142
* Multiply all data by .50 for 1ML lamping, .25 for 3KL
or 1.39 for 8.0CC

This is an absolute test per LM-79-08
Luminous Length: 24"
Width: 1.5"

Candlepower Distribution (cd)



Angle	Along	45°	Across
0°	410	410	410
5°	415	411	407
10°	407	400	399
15°	399	394	389
20°	385	378	372
25°	367	359	355
30°	348	338	334
35°	324	313	310
40°	300	291	287
45°	272	267	260
50°	243	234	229
55°	209	201	197
60°	178	172	165
65°	149	141	137
70°	111	106	105
75°	81	78	77
80°	48	48	45
85°	23	22	24
90°	0	0	0

Zonal Lumen Summary

Zone	Lumen	% Luminaire
0-30°	315	27.7%
0-40°	512	45.1%
0-60°	894	78.7%
60-90°	242	21.3%
90-180°	0	0%
0-180°	1,136.00	100%

Luminance Data (cd/m2)

Angle	Along	45°	Across
45°	16411	16065	15660
55°	15530	14960	14604
65°	14986	14213	13826
75°	13262	12788	12630
85°	11252	10783	11721

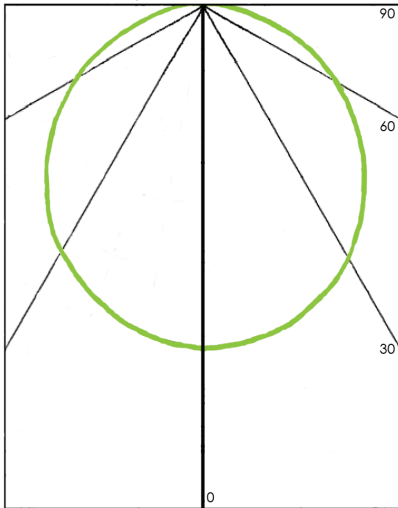
Photometric Data

BALLabs
Independent Test No. 17940.0

Cat No.: S25-MC5-2ML-35-1-W-R-S-24-S-in*
Meanwell Driver No.: LPV-20-24 operating at 120v
Total Lumens: 701
* Multiply all data by .50 for 1ML lamping, .25 for 3KL
or 1.39 for 8.0CC

This is an absolute test
per LM-79-08
Luminous Length: 24"
Width: 2.5"

Candlepower Distribution (cd)



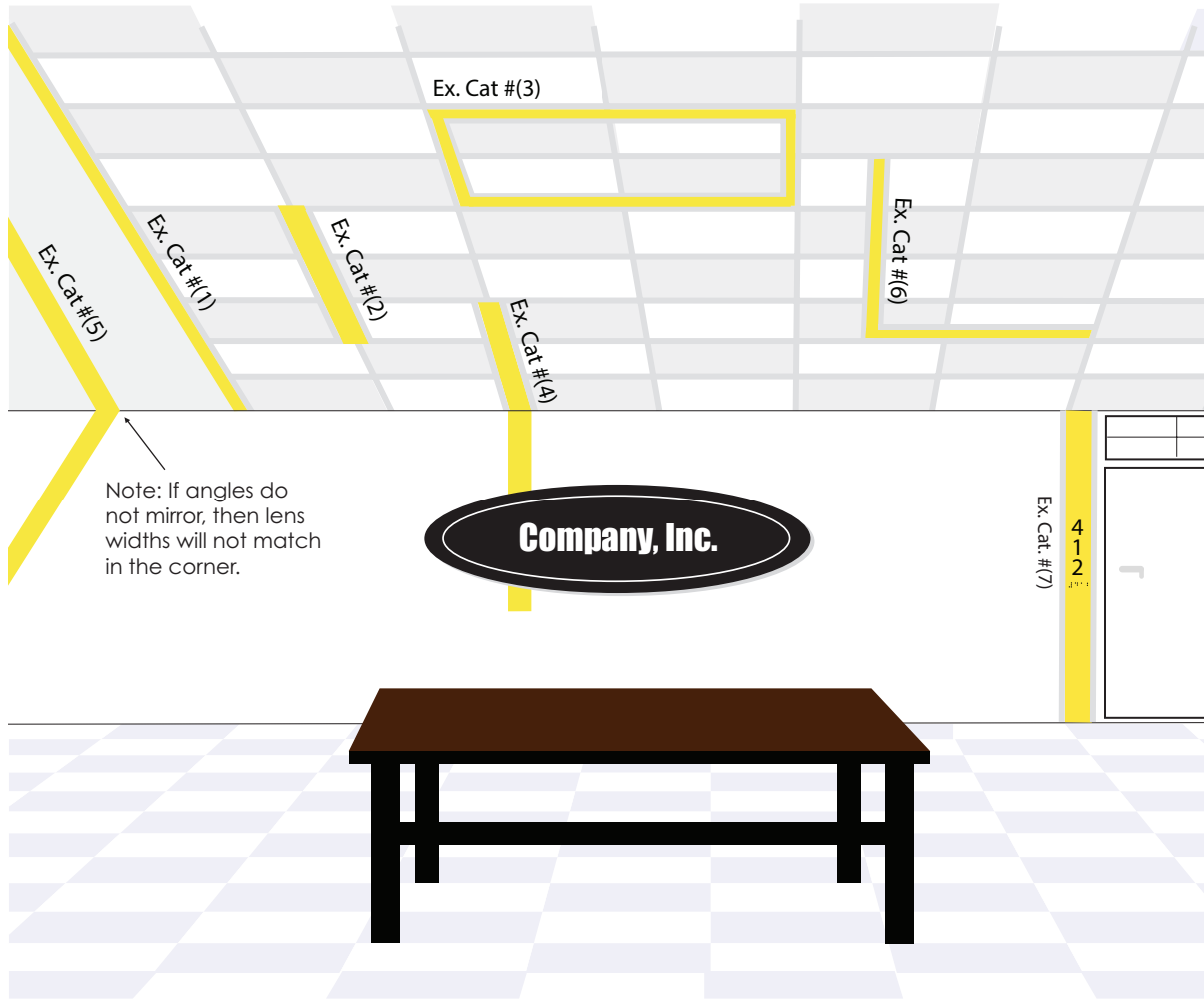
Angle	Along	45°	Across
0°	259	259	259
5°	262	259	256
10°	256	252	251
15°	252	247	246
20°	240	236	234
25°	230	225	225
30°	219	214	211
35°	202	199	197
40°	186	180	179
45°	166	163	162
50°	149	144	145
55°	128	124	125
60°	107	105	104
65°	85	84	82
70°	65	54	64
75°	43	42	40
80°	25	24	26
85°	9	7	10
90°	0	0	0

Zonal Lumen Summary

Zone	Lumen	% Luminaire
0-30°	198	28.4%
0-40°	322	46.1%
0-60°	560	80.2%
60-90°	139	19.8%
90-180°	0	0%
0-180°	699	100%

Luminance Data (cd/m2)

Angle	Along	45°	Across
45°	6017	5905	5868
55°	5713	5529	5575
65°	5128	5065	5003
75°	4288	4186	3982
85°	2729	2122	3032



Ex. Cat. #s (XX denotes lengths). Shop drawings will be created for all details to be confirmed:

(1) Divider between drywall and ACT ceilings:
GL15-2AML-35-1-W-R-S-XX-MF/9F-FL/FR-S-WH-in

(2) Straight Run in ACT ceiling:
GL25-2ML-35-1-W-R-F-XX-9T-A-F-WH-in

(3) Rectangle XX by XX lengths measured along outside of lens:
GL15-5.4CC-35-1-W-R-RECF __x__ -9F-A-WH-in

(4) Transition from ACT ceiling to SimpleLine in wall (note different lamping can be done):
GL25-2ML-35-1-W-R-F-XX-9F-A-IC90-WH-in / S25-MC5-1ML-35-1-W-R-IC90-XX-M-in

(5) Non-90 deg. pattern in ACT ceiling:
GL15-2AML-35-1-W-R-PAT #x-WH-in

(6) L shape in ACT ceiling:
C-GL15-2AML-35-1-W-R-F-XX-9T-A-RT90-XX-F-WH-in

(7) Straight Run with flush flange with printed graphics & raised braille on lens for ADAAG signage:
GL30-1ML-30-1-WG-R-F-XX-9F-A-F-NAin

(Not shown) Transition from Drywall to Open ceiling:
GL25-2ML-35-1-W-R-F-PAT - Finish-in