

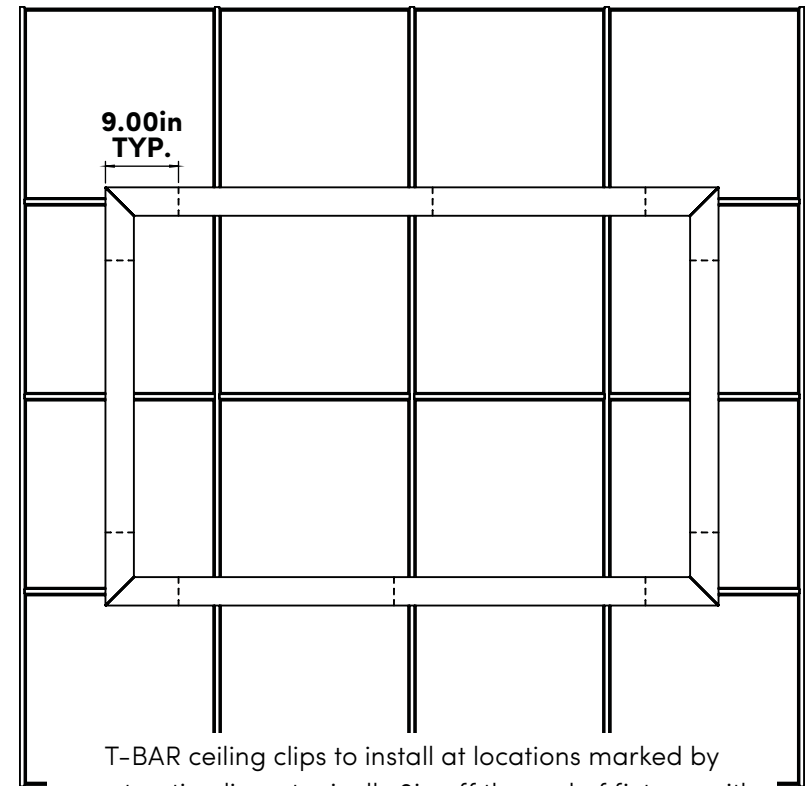
tic-tACT (TT35) 3.5in **Installations Instructions**



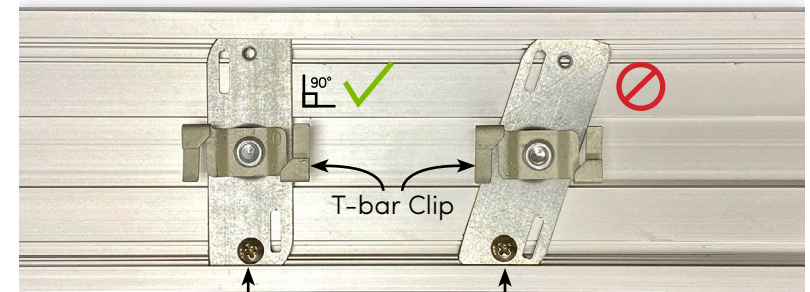
- Fixture is shipped as a completely assembled unit and should not require any disassembly in field.
- If necessary, gently wipe exterior of fixture with isopropyl alcohol and a lint free cloth to remove any dust that may have accumulated during shipping.

Installation

1. Remove any ceiling tiles that will be adjacent to the fixture. Overhead access is required to install TT35 fixture properly. Feed cables exit out the back of the fixture and require a .75in hole to be cut through the ceiling tile.
2. Locate ceiling clip component. Lock ceiling clips to the grid with twisting motion. For best results, clips should be placed within 9inches from the end of the fixture. For fixtures over 4ft length, an additional clip should be installed at the approximate midpoint of the fixture.
3. Once clips are locked in position, the rotating bracket on the ceiling clip must be turned parallel with the grid to allow clearance with the fixture. With ceiling clips installed, raise the fixture up to the ceiling.
4. The Channel on the back of the fixture will receive the clip's Rotating Bracket. Raise Fixture into positioned in line with the grid. Once in position, the rotating bracket is rotated 90 degrees to be perpendicular to the fixture. The bracket will not rotate past this point. This step is best performed with access from above the fixture, in order to visually ensure the rotating bracket is seated correctly. It is important that the bracket is perpendicular with the fixture, else the fixture will not align with the grid.
5. With the mounting bracket turned perpendicular to the fixture, use the provided #6-32 screws to secure the mounting bracket to the fixture housing.
6. Plug fixture into 10ft feed cable, Attach feed cable to remote power supply, Ensure correct polarity (red (+)).
7. Reinstall tile, provide slot/hole for back cable feed.



T-BAR ceiling clips to install at locations marked by construction lines, typically 9in off the end of fixture, with an additional ceiling clip at approximate midpoint for lengths longer than 4ft.



Reference Step 4.

Locking Screw



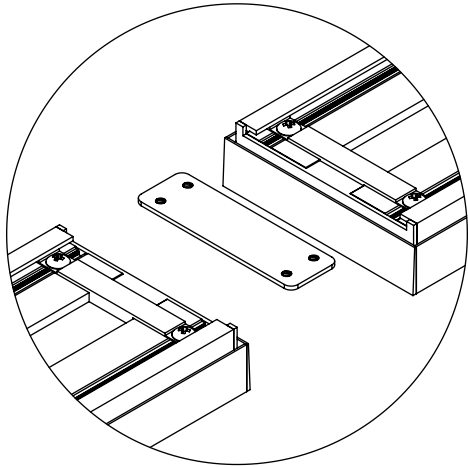
Installation Video

Scan the QR code with your tablet/phone's camera. Tap on the message to open the dado lighting tic-tACT Installation Video on your tablet/phone's browser.

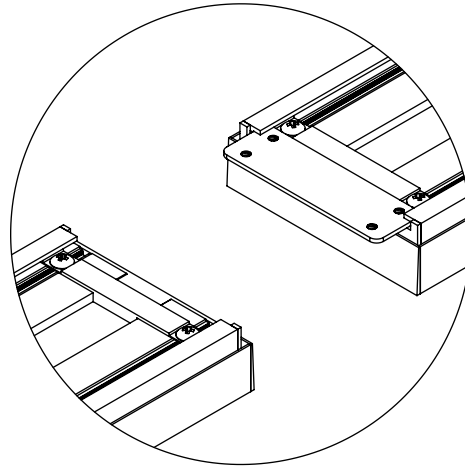
tic-tACT (TT35) 3.5in **Installations Instructions**



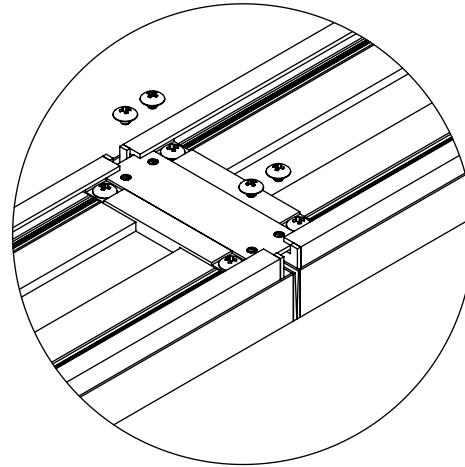
Alignment Plate Installation



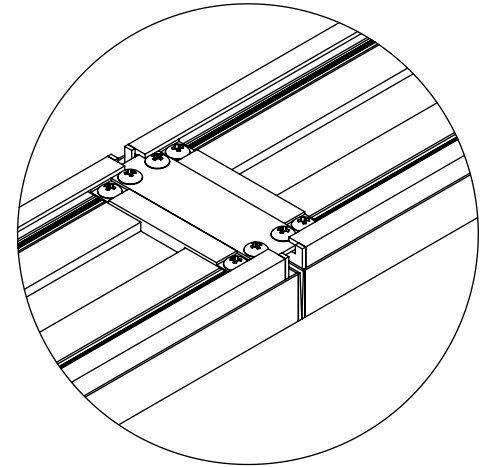
Step 1
Adjacent segments secure to one another with an alignment plate.



Step 2
Insert alignment plate along channel on back (top) of housing.

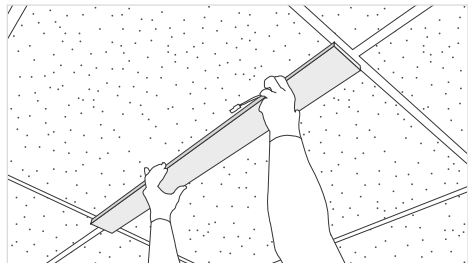


Step 3
Join second segment to first segment, using the alignment plate as a guide.

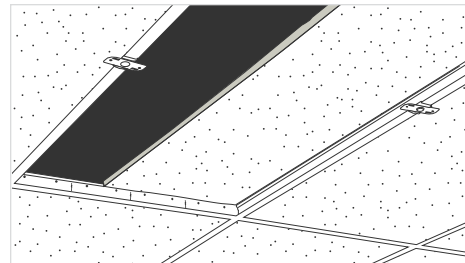


Step 4
Adjust both segments as necessary for final alignment. Plate secures to housings with four (4) Phillips head screws (Supplied).

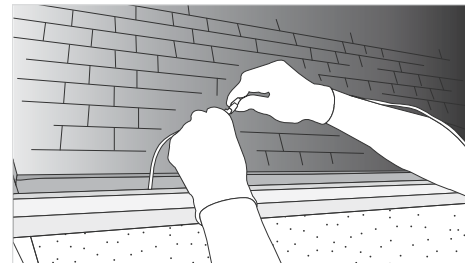
Installation Overview



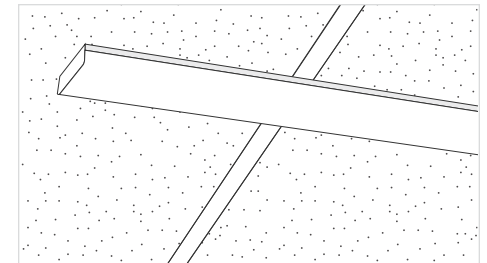
Layout pattern on or off grid.



Remove tiles, add twist on grid clips.



Lock Bracket to fixture, run Class 2 cable back to remote power supply.



Notch tile for wire feed and install/replace ceiling tiles.