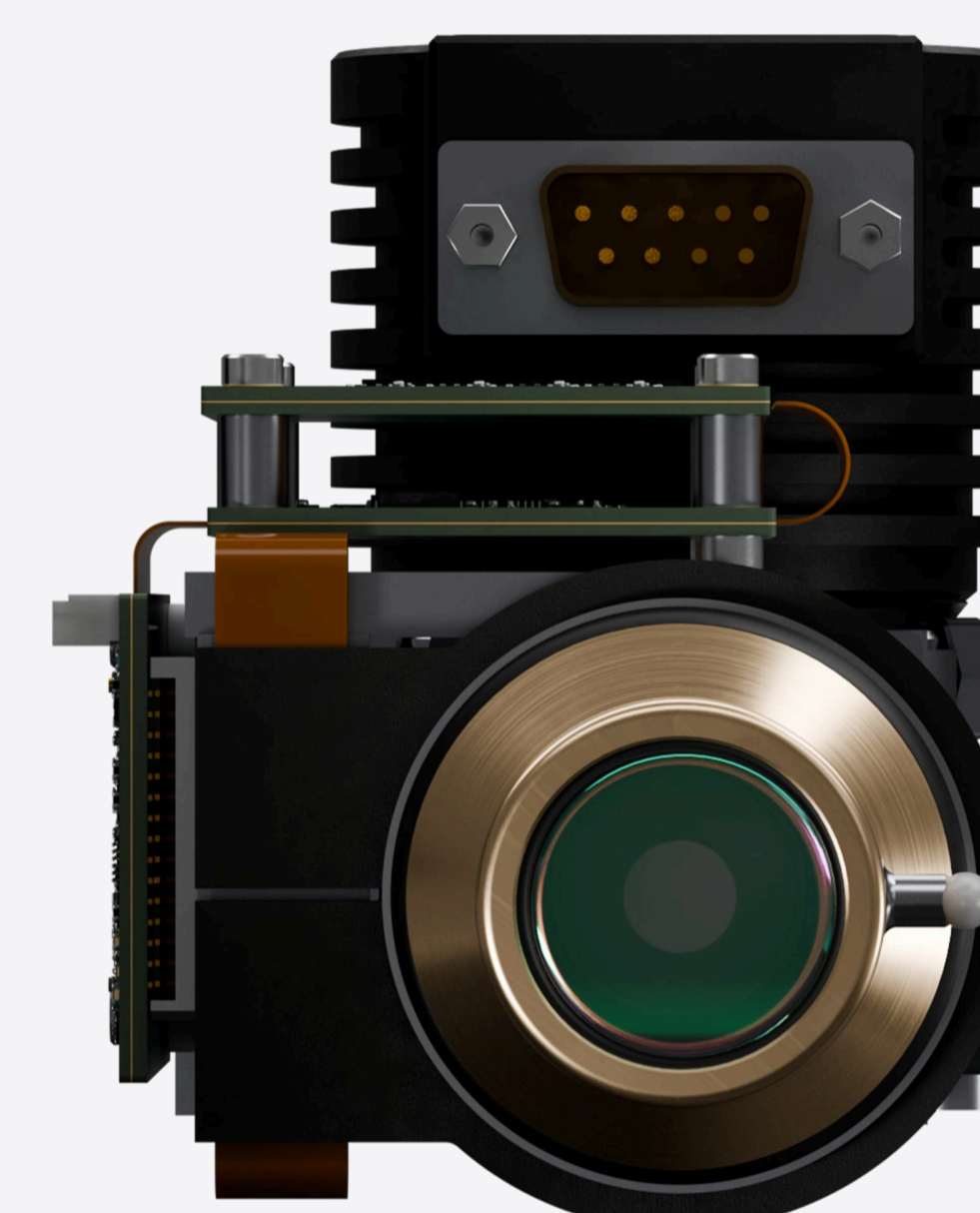
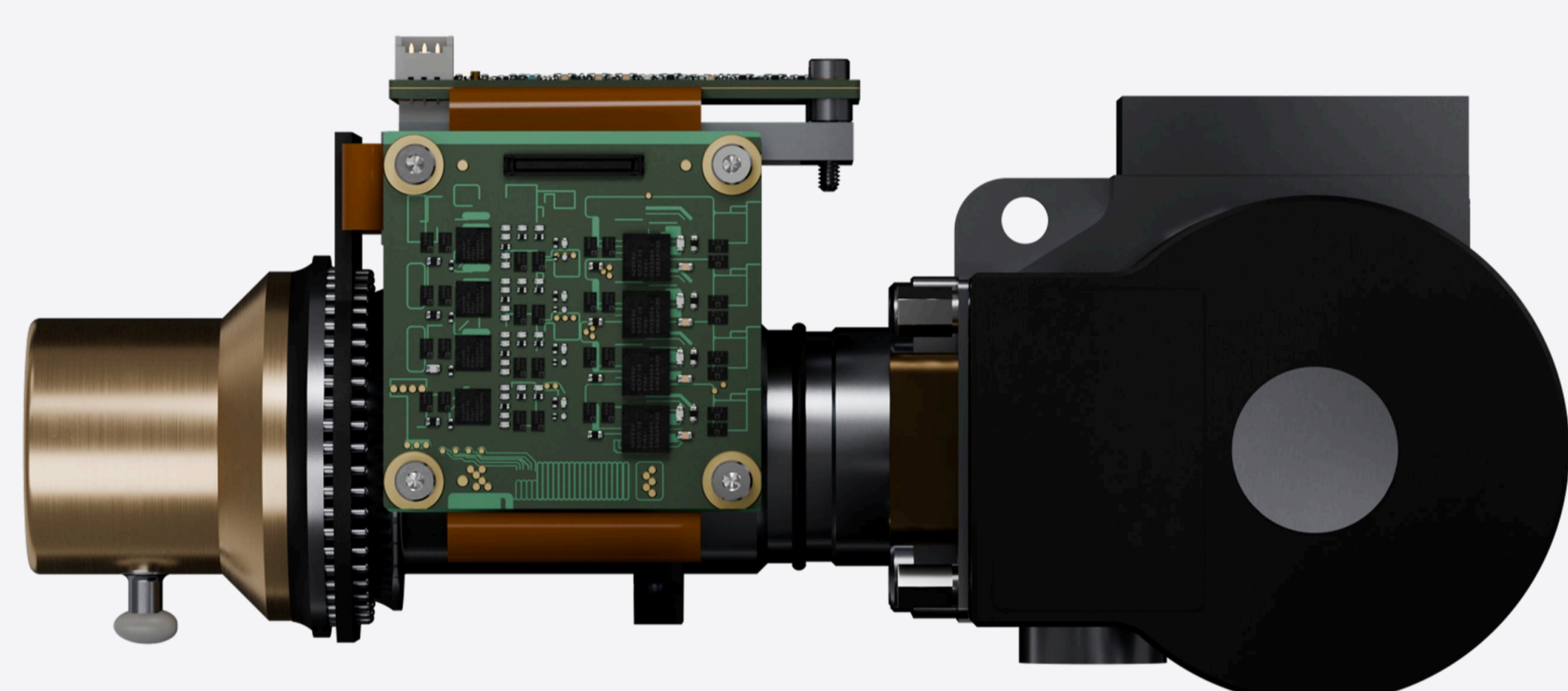
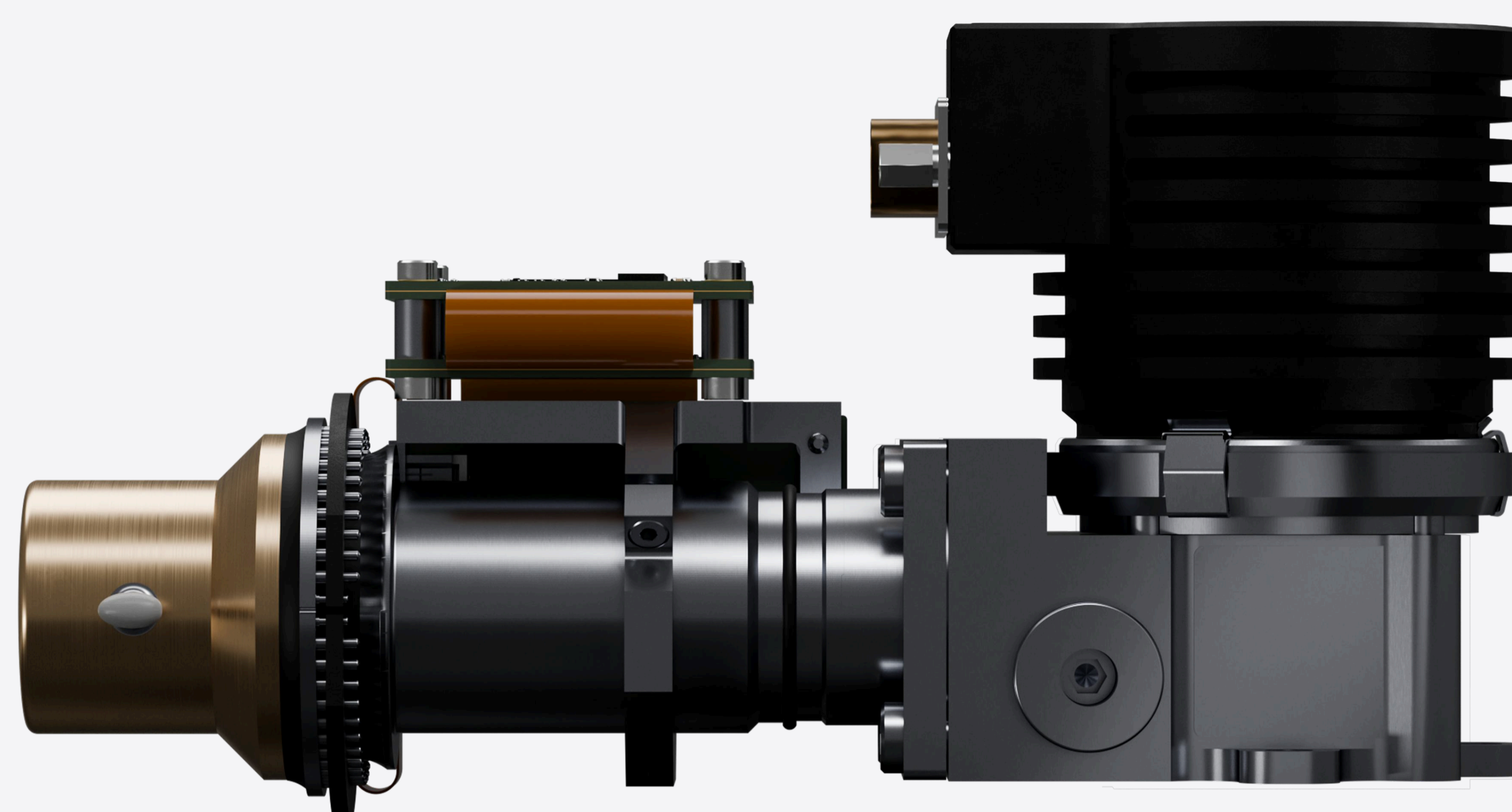


T2SL Njord LLT

Solid performance. Solid quality. This is the Njord LLT, an SXGA detector that delivers the same benchmark-setting picture quality that has become the trademark of IRnova's T2SL detectors, but in a full-size package designed for industrial or military applications where operating conditions can be challenging and reliability is the top priority.



Description

The Njord LLT is a long-lifetime version of the Njord detector for use in highly demanding applications. In this product variant we have put the top-performing T2SL FPA of the Njord in a dewar compatible with a 0.5 W cooler. When coupling such a powerful cooler with a HOT (high operating temperature) detector, one gets a very attractive property: extremely long lifetime. Without compromising performance, it achieves 50 000 hours or more of expected lifetime, corresponding to nearly 6 years of 24/7 operation.

Applications

- ✓ Long range security & surveillance
- ✓ Air defence target tracking (including UAVs)
- ✓ Border security and surveillance cameras
- ✓ Fixed IP surveillance solutions
- ✓ Tank sights, maritime applications and firefighting
- ✓ Industrial applications (thermography, NDT...)

General information

Application: General purpose

Format: 1280x1024

Technology: T2SL

Pixel pitch: 10 μm

Typical detector performance

Spectral range: 3.7 - 5.1 μm
CO2 notch filter optional

Pixel operability: 99.9 %

F number options: F/1.2, F/2, F/3.4, F/4

MTF: 61 %
@ Nyquist frequency

NETD: 25 mK @ F/4, 60 Hz

Proximity electronics

Supply voltage: 5 V

Electrical interfaces: Camera Link

Maximum frame rate: 60 Hz

Cooler control and proximity electronics included

IDDCA Parameters

Cooler options: RM3i, K508, K508N, SRI401

Weight: 590 g

Power consumption: 3 W
Without proximity electronics

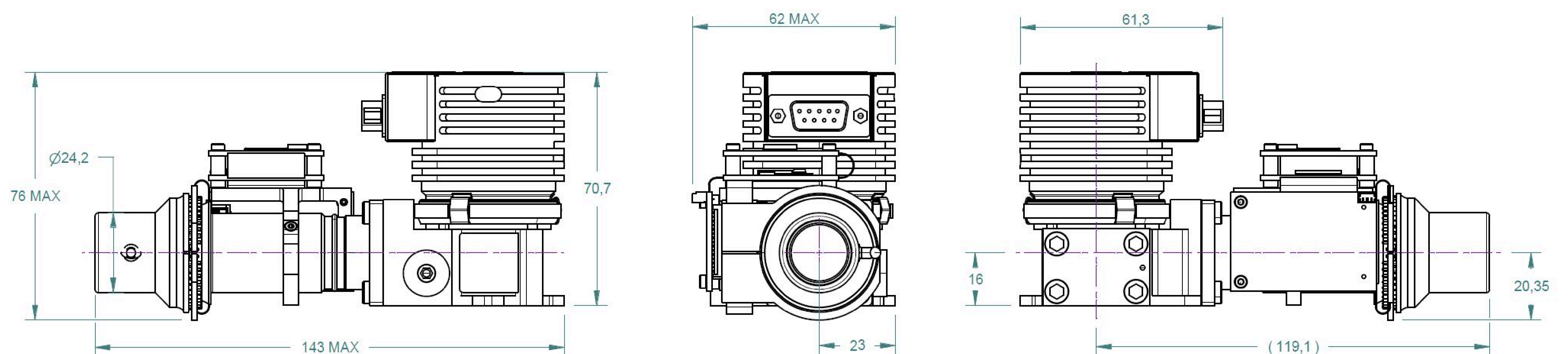
Dimensions: 143x76x62 mm

Cool down time: 3.5 min

Cooler MTTF: >50 000 h

Cooler voltage: 12 V
24 V options available

Environmental conditions: MIL-STD-810



Technical characteristics described above are not contractual and may change without prior notice. This is revision 1.0