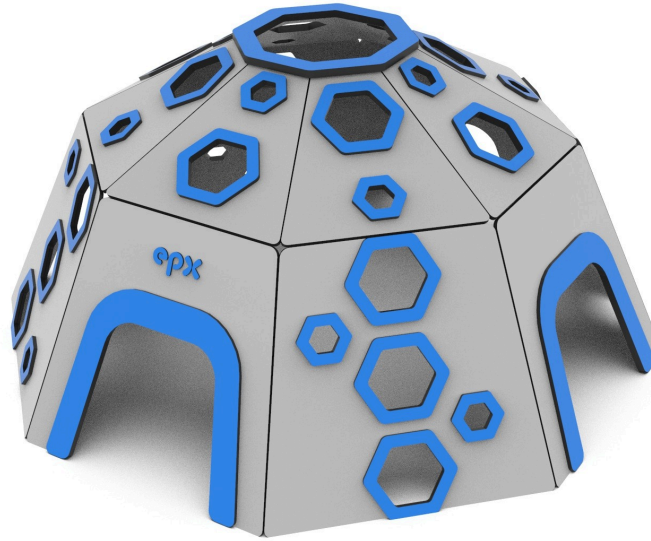


Geodesic Climbing Dome



Technical Data



DIMENSIONS

2.65 x 2.65 m



HEIGHT

1.3 m



SAFETY ZONE

5.65 x 5.65 m



FREE-FALL HEIGHT

1.3 m

Conforms to: BS EN 1176-1+A1:2024

Geodesic Climbing Dome

Materials & Construction

Construction: steel profiles and tubes, zinc-primed, powder-coated

Climbing surface: coloured HDPE boards

Holds: durable plastic climbing holds

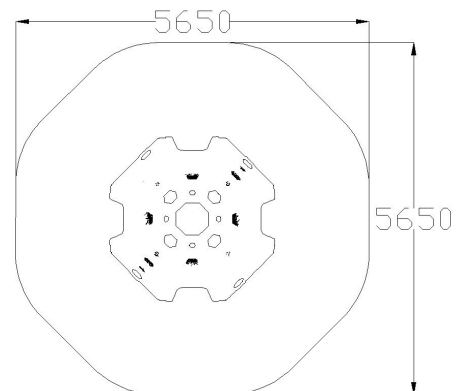
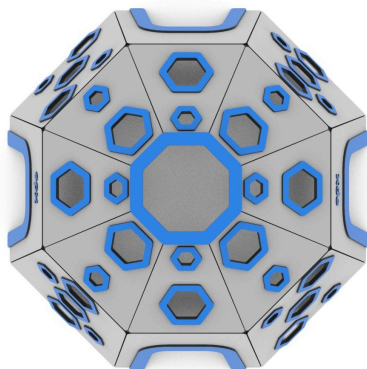
Fixings: anti-corrosion treated, plastic-capped bolts

In accordance with BS EN 1176-1+A1:2024, this product requires impact-absorbing surfacing appropriate to its free-fall height.

The equipment shown is a computer visualisation only; the actual product will look similar. Colours may vary from those shown.

Construction materials can be tailored to the customer's requirements. Dimensional tolerance +/- 5cm.

Additional Views



Why Choose This Product

A low, dome-shaped 'igloo' climber with hexagonal holes to clamber over and through — inclusive, low-height fun that works well for younger children.

- Rounded geodesic dome with climb-over and climb-through holes
- Low 1.3 m height suited to younger and mixed-age play areas
- Certified to BS EN 1176-1+A1:2024 for public playground safety