



SnowWolf

Parts Manual



AlphaBlower

Model 24-84-H & 24-84-P



REMEMBER: Register your product! No claims for warranty shall be considered unless your product registration card is completed online within 30 days of purchase. Go to: snowwolfplows.com/registration.

Manufactured By:



8415 220th Street West, Suite K
Lakeville, MN 55044
www.snowwolfplows.com

CONTENTS

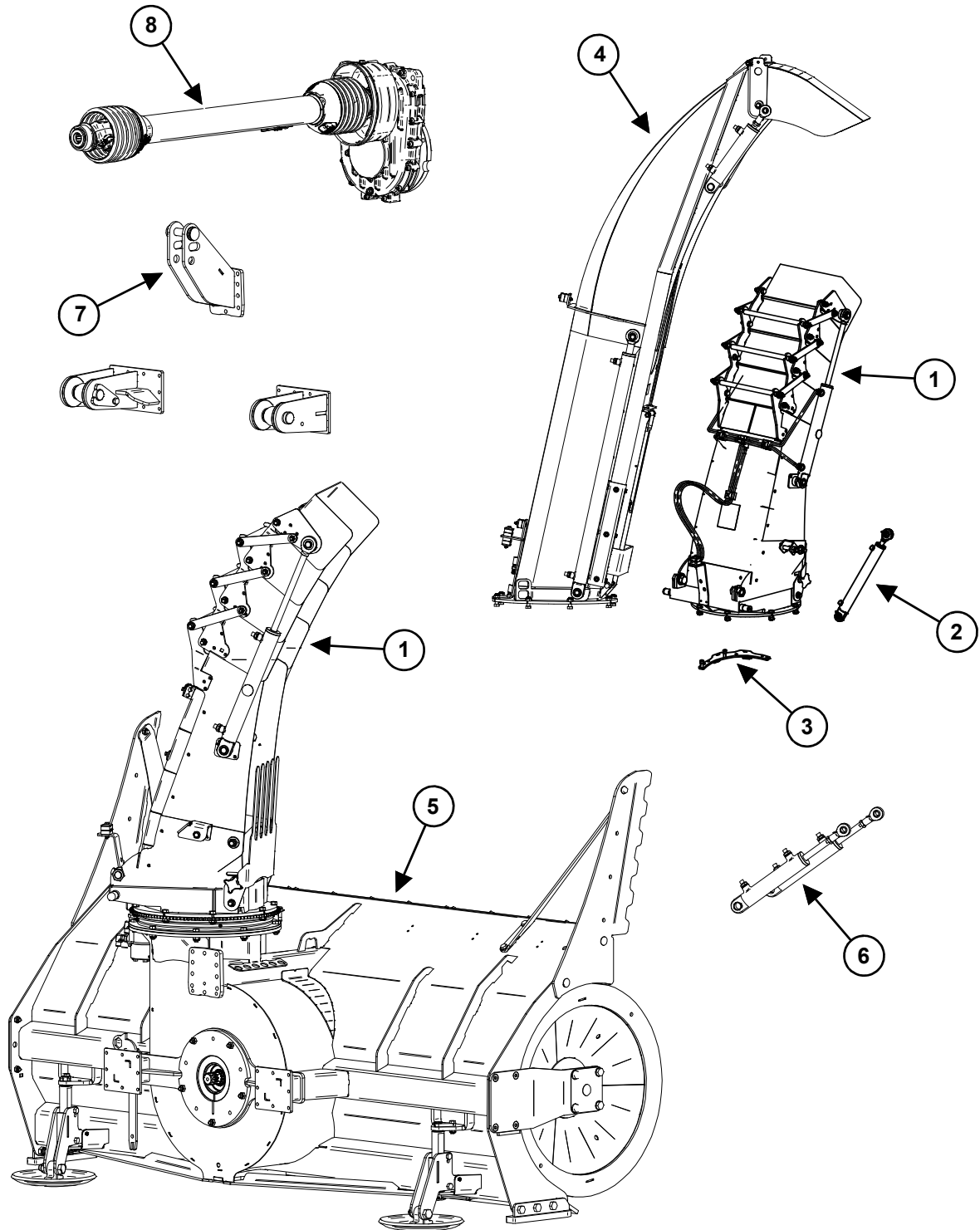
AlphaBlower	4
AlphaBlower Parts	4
Chute	6
Deluxe Chute, 4-Stage	8
Chute, Telescopic (Optional)	10
Blower Parts	12
Hydraulic Swivel Motor	13
Hydraulic Swivel Motor Assembly	14
Chute, Hydraulic Tilt	15
Chute, Swivel Stopper	16
Blower Fan	17
Gearbox Mounting	18
Blower Housing / Wear Shoes	19
Rubber Flap Parts	20
Auger Axle Parts	21
Cutting Edge / Axle Parts	22
Gearbox	23
Fan Axle Parts	24
Wear Shoe	25
Blower Skidsteer Mount	26
Hydraulic Manifold, Motor	28
3-Point Mount	30
Decal Identification	31



This page left intentionally blank

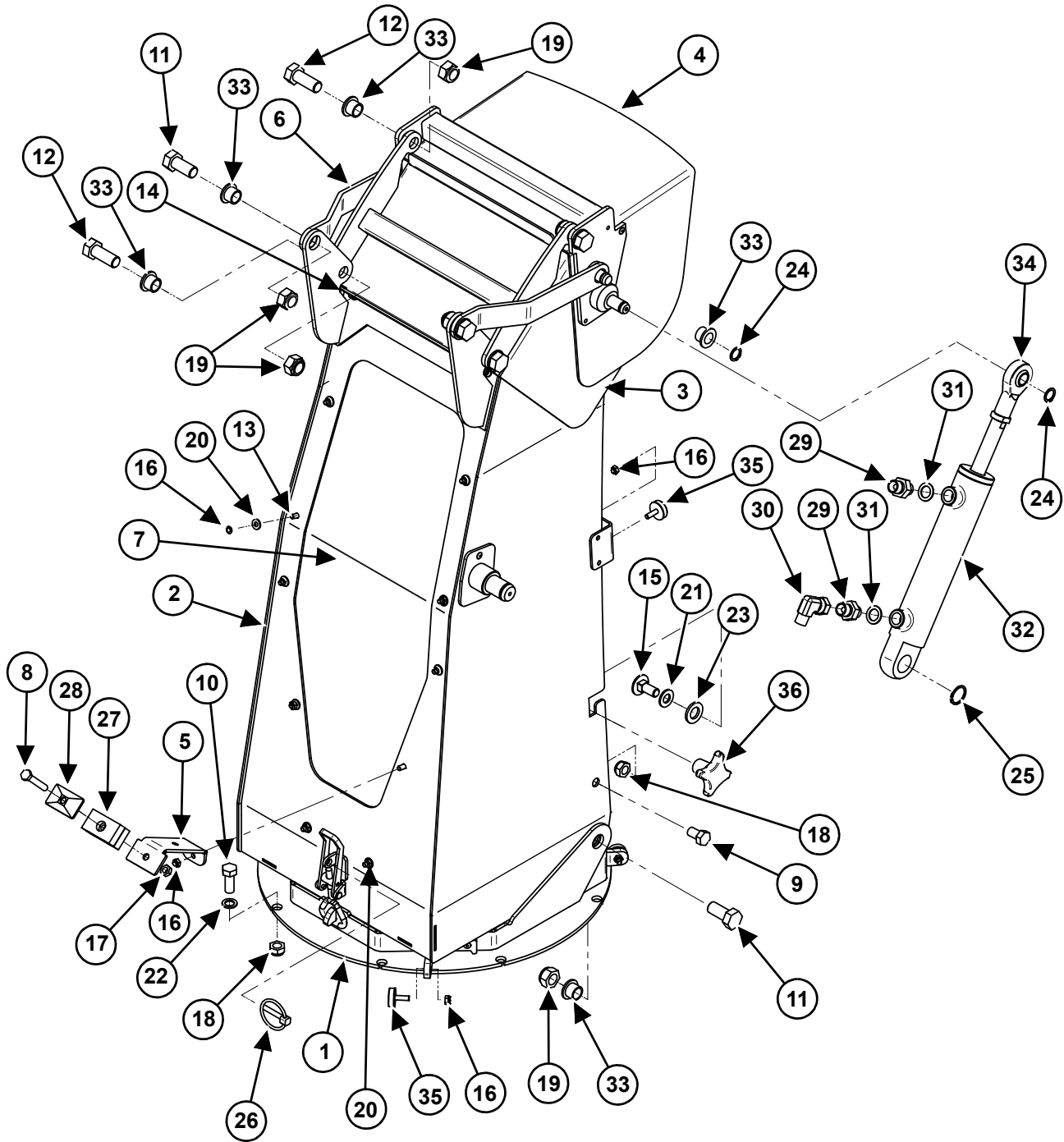
AlphaBlower

AlphaBlower Parts



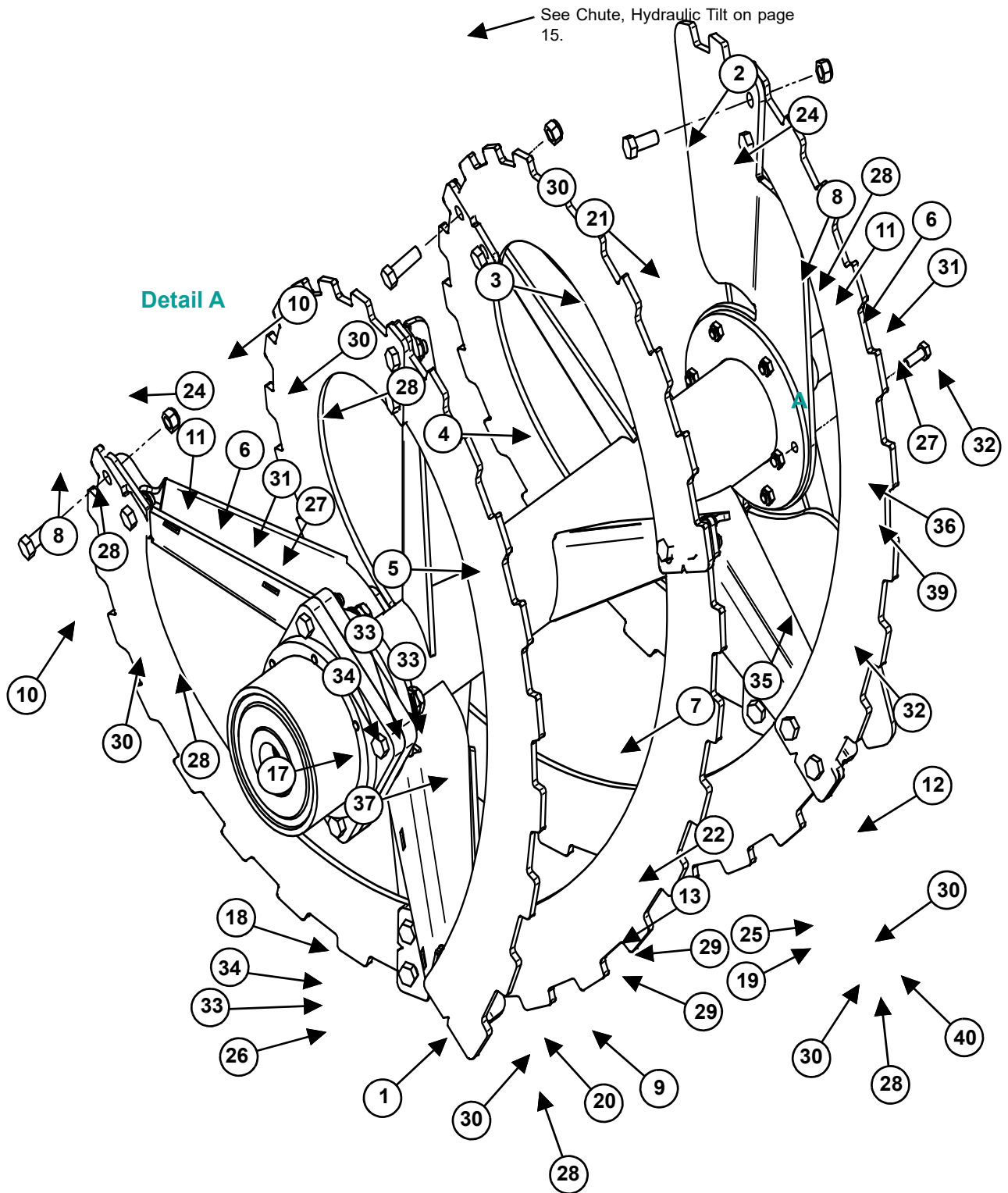
ITEM	PART #	DESCRIPTION	QTY
1	1900-010	Standard Chute w/ HYD 4 Flaps	1
2	0990-300	Cylinder, Hydraulic Tilt, Deluxe Chute Option	1
3	2006-550	Swivel Stopper	1
4	0994-010	Chute, Telescopic (Optional)	1
5	2116-100	Blower Housing, Welded	1
6	H05-021	Cylinder, Hydraulic	2
7	2116-820	3-Point Mount, 24-84-P	1
8	2116-830	PTO	1
MISCELLANEOUS			
-	L01-125	PTO Shaft (1000 rpm), (For Towing) (Model 24-84-P Only)	
-	L01-126	Shear Bolt, (For Front Mount) (Model 24-84-P Only)	

Chute



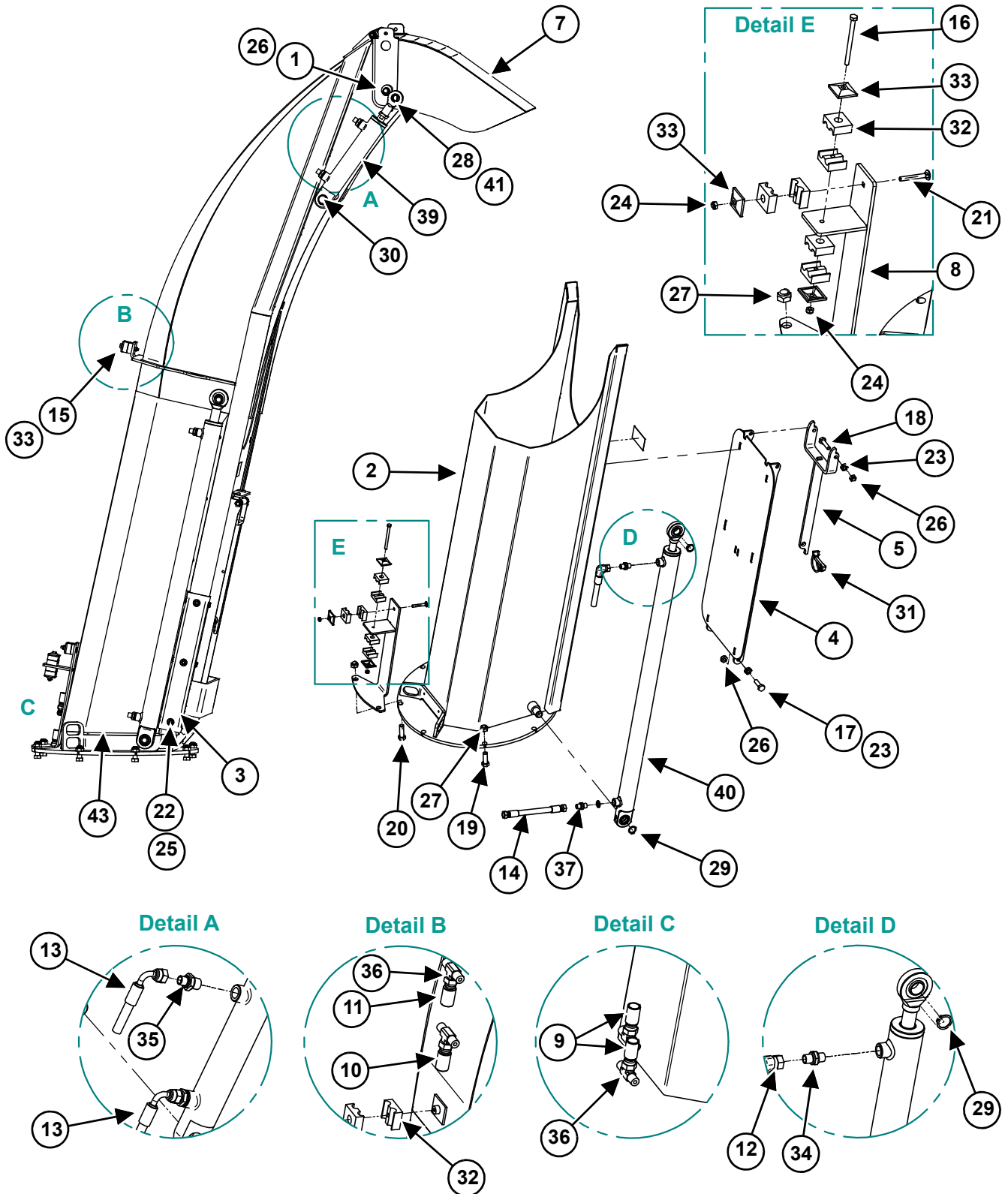
ITEM	PART #	DESCRIPTION	QTY
1	2116-711	Chute, Bottom Plate	1
2	2116-712	Chute, Body	1
3	2116-713	Lower Flap	1
4	2116-714	Upper Flap	1
5	2116-716	Support Plate	1
6	2116-742	Parallel Rod	2
7	2116-744	Wear Plate, Hardox	1
8	F102-08050	Hexagon Screw, M8 x 50	1
9	F102-12020	Hexagon Screw, M12 x 20	2
10	F102-12030	Hexagon Screw, M12 x 30	8
11	F102-16035	Hexagon Screw, M16 x 35	4
12	F102-16040	Hexagon Screw, M16 x 40	4
13	F112-06016	Locking Screw, M6 x 16	10
14	F112-06020	Locking Screw, M6 x 20	2
15	F112-12030	Locking Screw, M12 x 30	2
16	F312-06	Locking Nut, M6	16
17	F312-08	Locking Nut, M8	1
18	F312-12	Locking Nut, M12	10
19	F312-16	Locking Nut, M16	8
20	F402-06	Seating Washer, 6.5 DIN125	11
21	F402-13	Seating Washer, 13 DIN125	2
22	F402-13D	Seating Washer, 13 20 2	8
23	F402-17	Seating Washer, 17	2
24	F430-16	Retaining Ring, A-16 x 1	3
25	F430-25	Retaining Ring, A-25 x 2	1
26	F470-06	Linch Pin, 6 NS 555	1
27	F611-012	Double Clamp Ø15	1
28	F611-013	Upper Plate for Double Clamp	1
29	G01-003	Transition Nipple, M16 X 1.5-3/8" R	2
30	G01-112	Angled Nipple, 90 deg. Swivel 3/8"	2
31	G50-062	Steel / Rubber Gasket for M16	2
32	H05-011	Hydraulic Cylinder	1
33	K03-18	Slide Bearing, Ø16 x 20 x 15.5, Nylon-66	9
34	K05-008	Rod Eye, Ø16 M16 x 1.5	1
35	K08-023	Rubber Damper, Ø20 x 23	4
36	K09-019LAKK	K09-019 (Fastener) Painted	2

Deluxe Chute, 4-Stage



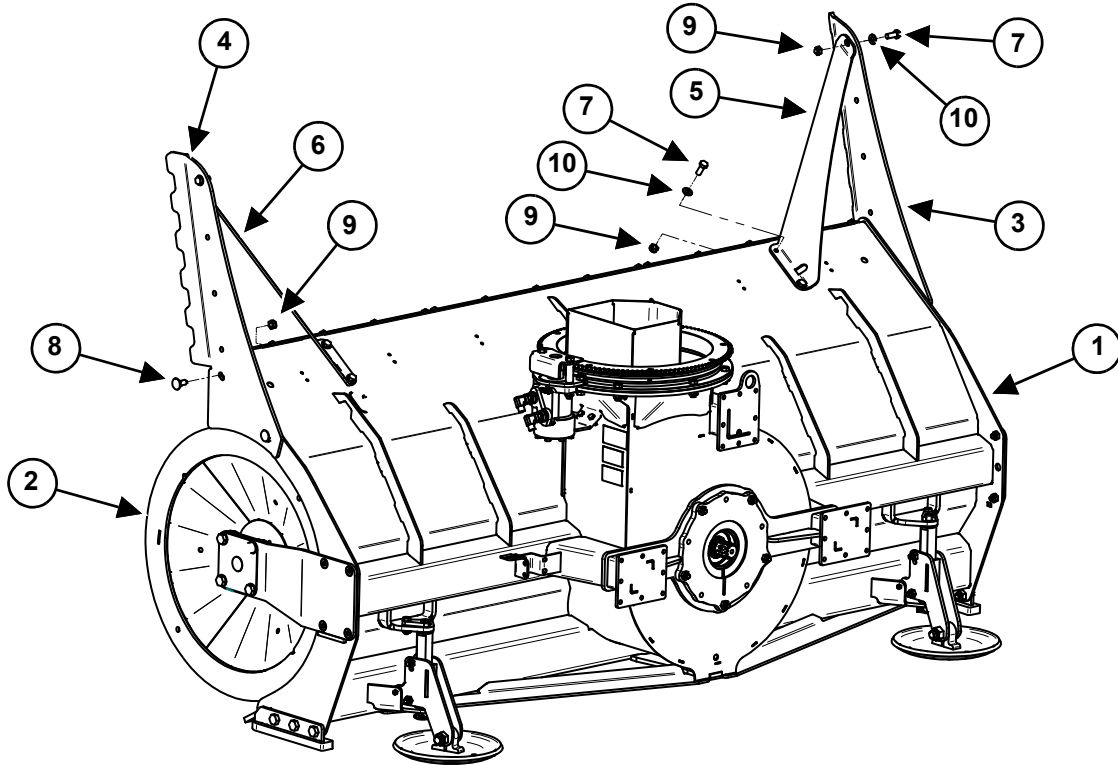
ITEM	PART #	DESCRIPTION	QTY
1	0991-016	Bolt, Hex, M24	2
2	1900-040	Flap 4	1
3	1900-045	Flap 3	1
4	1900-050	Flap 2	1
5	1900-055	Flap 1	1
6	1900-073	Rod	6
7	1900-075	Chute	1
8	1900-079	Sleeve	8
9	1900-080	Chute Attachment	1
10	1900-085	Sleeve	6
11	1900-086	Sleeve	6
12	1900-090	Guard	1
13	1900-140	Sleeve	2
14	1900-208	Hose, Hydraulic	2
15	1900-210	Hose, Hydraulic	2
16	1900-212	Hose, Hydraulic	2
17	F102-06045	Bolt, Hex, M6 x 45	3
18	F102-06050	Bolt, Hex, M6 x 50	1
19	F102-12030	Bolt, Hex, M12 x 30	2
20	F102-12035	Bolt, Hex, M12 x 35	7
21	F102-12045	Bolt, Hex, M12 x 45	8
22	1000154	Bolt, Hex, M16 x 45	2
24	F112-10035	Bolt, Carriage, M10 x 35 - 8.8	6
25	F112-12035	Bolt, Carriage, M12 x 35 - 8.8	2
26	F312-06	Nut, Lock, M6	1
27	F312-10	Nut, Lock, M10	6
28	F312-12	Nut, Lock, M12	28
29	F312-16	Nut, Lock, M16	4
30	F402-13	Washer, Seating, 13 DIN125	26
31	F410-10	Washer, Seating, 10 DIN9021	6
32	F430-20	Retaining Ring, A-20 x 1.2	4
33	F611-027	Clamp, Double	4
34	F611-028	Clamp, Double, Upper Plate	4
35	P81053	Fitting, Adapter, #6MJIC-16 METRIC	4
36	P81052	Fitting, Elbow, #6MJIC-16 METRIC	1
37	P81045	Fitting, Tee, Union	2
39	H05-016	Cylinder, Hydraulic	2
40	K09-019	Fastener	2
NS	1900-901	Dogbone, Chute, Holdup	2

Chute, Telescopic (Optional)



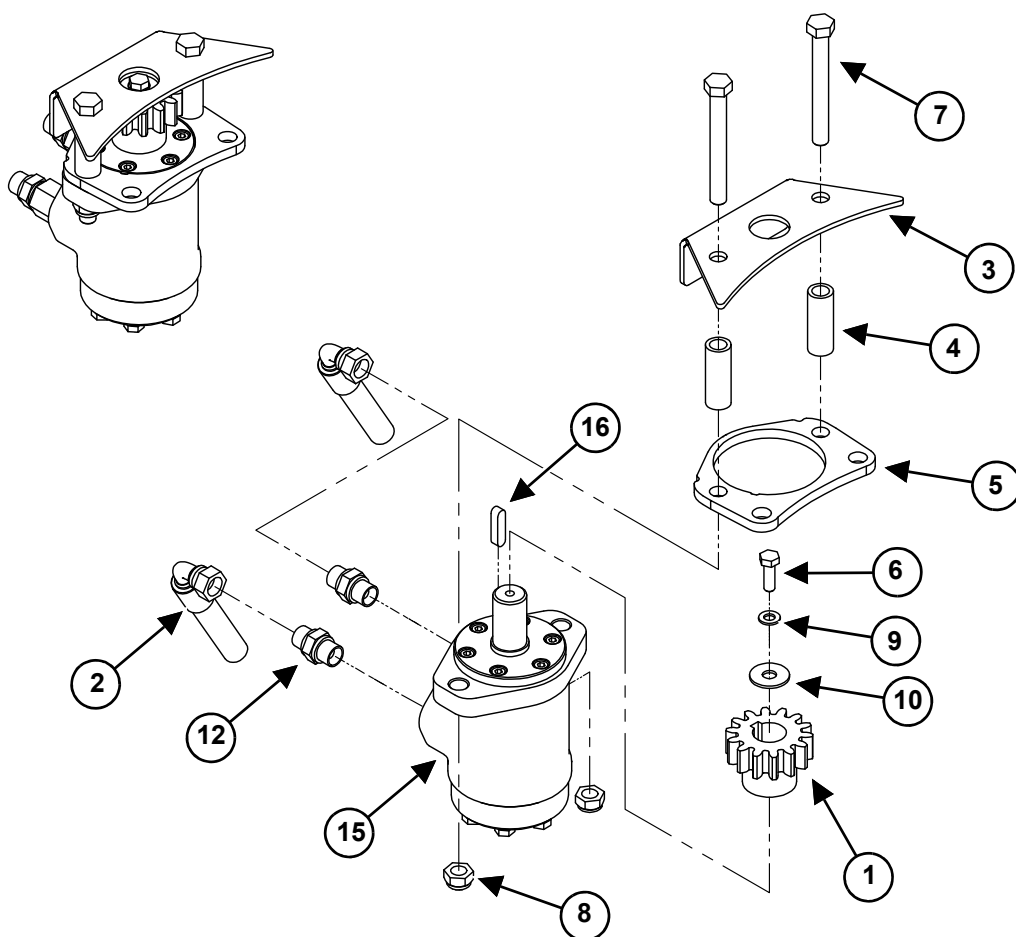
ITEM	PART #	DESCRIPTION	QTY
1	0994-003	Bolt	1
2	0994-020	Loading Section, Lower	1
3	0994-040	Bracket, Sliding	6
4	0994-050	Hatch	1
5	0994-060	Arm, Locking	1
6	0994-100	Loading Section, Upper	1
7	0994-150	Deflector, Adjustable	1
8	0994-160	Bracket	1
9	P81061	Hose, 1/4 x 118", 4800 PSI, #4FJIC-#4FJIC	2
10	P81060	Hose, 1/4 x 176", 4800 PSI, #4FJIC-#4FJIC	1
11	P81059	Hose, 1/4 x 183", 4800 PSI, #4FJIC-#4FJIC	1
12	P81056	Hose, 1/4 x 48", 4800 PSI, #4FJIC-#4FJIC	2
13	P81055	Hose, 1/4 x 33", 4800 PSI, #4FJIC-#4FJIC	4
14	P81057	Hose, 1/4 x 15-1/4", 4800 PSI, #4FJIC-#4FJIC	2
15	F102-06040	Bolt, Hex, M6 x 40	1
16	F102-06080	Bolt, Hex, M6 x 90	1
17	F102-10035	Bolt, Hex, M10 x 35	6
18	F102-10040	Bolt, Hex, M10 x 40	2
19	F102-12035	Bolt, Hex, M12 x 35	1
20	F102-12040	Bolt, Hex, M12 x 40	2
21	F111-06045	Bolt, Carriage, M6 x 45	1
22	F173-08016	Screw, Flat, Int. Hex	18
23	F302-10	Nut, Lock, M10	4
24	F312-06	Nut, Lock, M6	2
25	F312-08	Nut, Lock, M8	18
26	F312-10	Nut, Lock, M10	6
27	F312-12	Nut, Lock, M12	8
28	F430-16	Retaining Ring	2
29	F430-20	Retaining Ring	4
30	F430-25	Retaining Ring	2
31	F471-12	Clip	1
32	F611-027	Clamp, Double	8
33	F611-028	Clamp, Double, Upper Plate	4
34	P81065	Fitting, Adapter, #4MJIC-#4MBP (3820-04-04)	4
35	P81052	Fitting, Elbow, #6MJIC-16 METRIC	4
36	G01-103	Fitting, Tee, 90 Deg. 1/4" BSP/BSPT/BSP	4
37	P81064	Fitting, Elbow, #4MJIC-#4MBPP (3801-04-04)	4
39	H05-011	Cylinder, Hydraulic	2
40	H05-021	Cylinder	2
41	K05-008	Rod Eye	2

Blower Parts



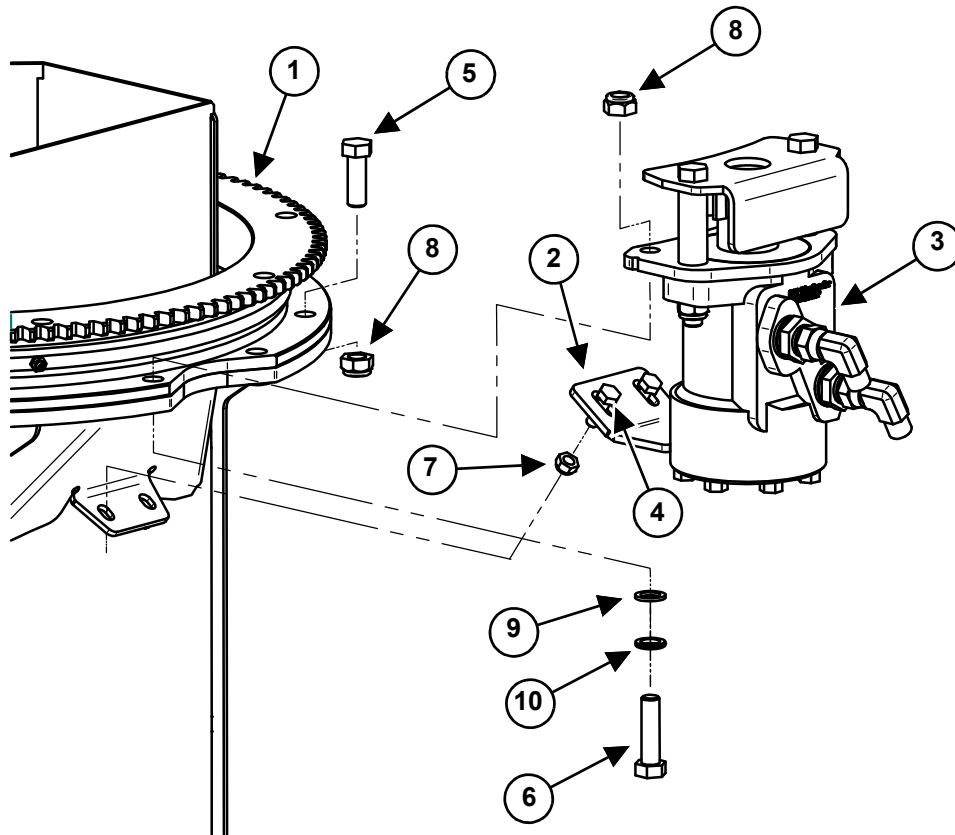
ITEM	PART #	DESCRIPTION	QTY
1	2116-100	Blower Housing, Welded	1
2	2116-350VB	Auger Left	1
	2116-350HB	Auger Right (Not Shown)	1
3	2116-561H	Drift Cutting Edge Right	1
4	2116-561V	Drift Cutting Edge Left	1
5	2116-562H	Support Right	1
6	2116-562V	Support Left	1
7	F102-12030	Bolt, Hex, M12 x 30	11
8	F112-12030	Bolt, Carriage, M12 x 30	4
9	F312-12	Nut, Lock, M12	40
10	F402-13	Seating Washer 13 DIN125	6

Hydraulic Swivel Motor



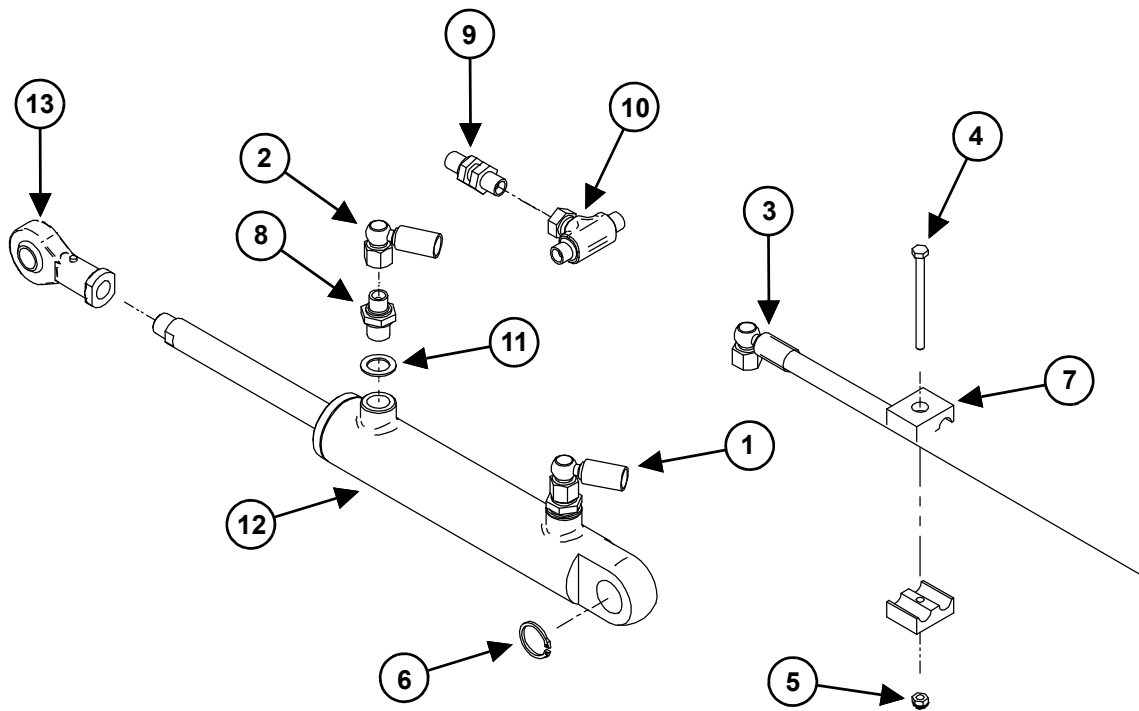
ITEM	PART #	DESCRIPTION	QTY
	2116-805	Hydraulic Swivel Motor	
1	0984-301C	Cog Wheel	1
2	P81058	Hose, Hydraulic	2
3	2116-758	Cover	1
4	0984-604	Sleeve, Spacer	2
5	2116-757	Engine Support Slew Ring	1
6	F102-08025	Bolt, Hex, M8 x 25	1
7	F102-12100	Bolt, Hex, M12 x 100	2
8	F312-12	Nut, Lock, M12	2
9	F402-08	Washer, Seating	1
10	F410-10	Washer, Seating	1
12	P81066	Fitting, Elbow, #6MJIC-#8MBPP	2
15	H01-055	Motor, Hydraulic	1
16	F600-001	Key, Sunk Tapered A 8 x 7 x 32	1

Hydraulic Swivel Motor Assembly



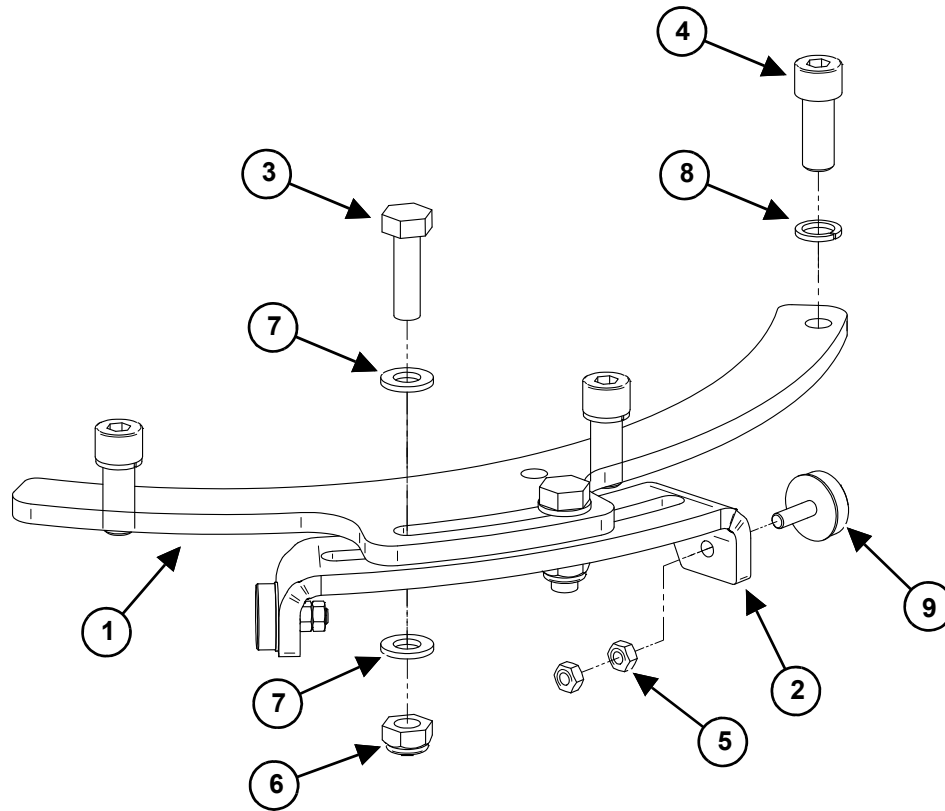
ITEM	PART #	DESCRIPTION	QTY
1	0984-510	Slew Ring Ø500 Toothed	1
2	2116-144B	Support Bracket	1
3	2116-805	Hydraulic Swivel Motor	1
4	F102-08025	Bolt, Hex, M8 x 25	2
5	F102-12035	Bolt, Hex, M12 x 35	7
6	F102-12045	Bolt, Hex, M12 x 45	2
7	F312-08	Nut, Lock, M8	2
8	F312-12	Nut, Lock, M12	9
9	F402-13D	Washer, Seating, 13 20 2	2
10	F422-12	Washer, Lock, 12 mm, Nordlock	5

Chute, Hydraulic Tilt



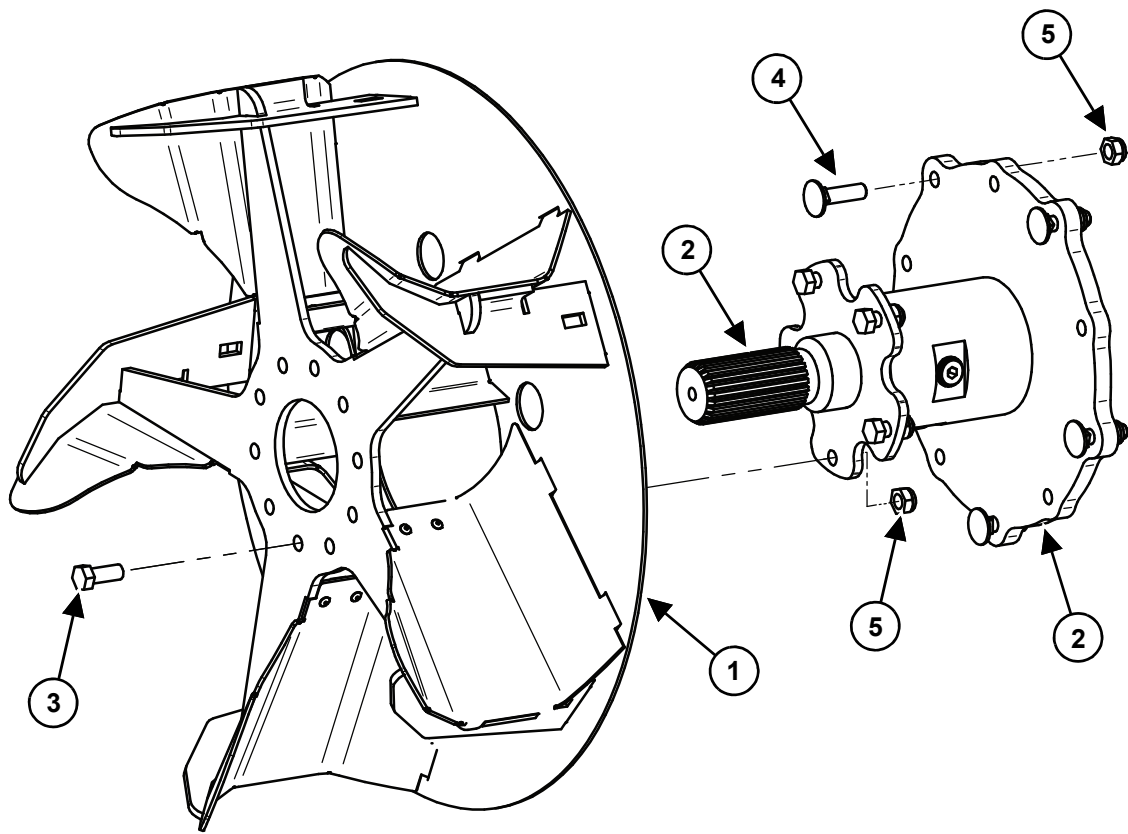
ITEM	PART #	DESCRIPTION	33-106-P QTY
1	1900-200	Hose, Hydraulic	2
2	1900-205	Hose, Hydraulic	2
3	1900-206	Hose, Hydraulic	2
4	F102-06080	Bolt, Hex	1
5	F312-06	Nut, Locking	1
6	F430-16	Retaining Ring	2
7	F611-027	Clamp, Double	1
8	G01-076	Nipple	4
9	G01-080	Nipple	2
10	G01-091	T-Nipple	2
11	G50-062	Gasket, Steel / Rubber	4
12	H05-011	Cylinder, Hydraulic	2
13	K05-008	Piston, Rod End	2

Chute, Swivel Stopper



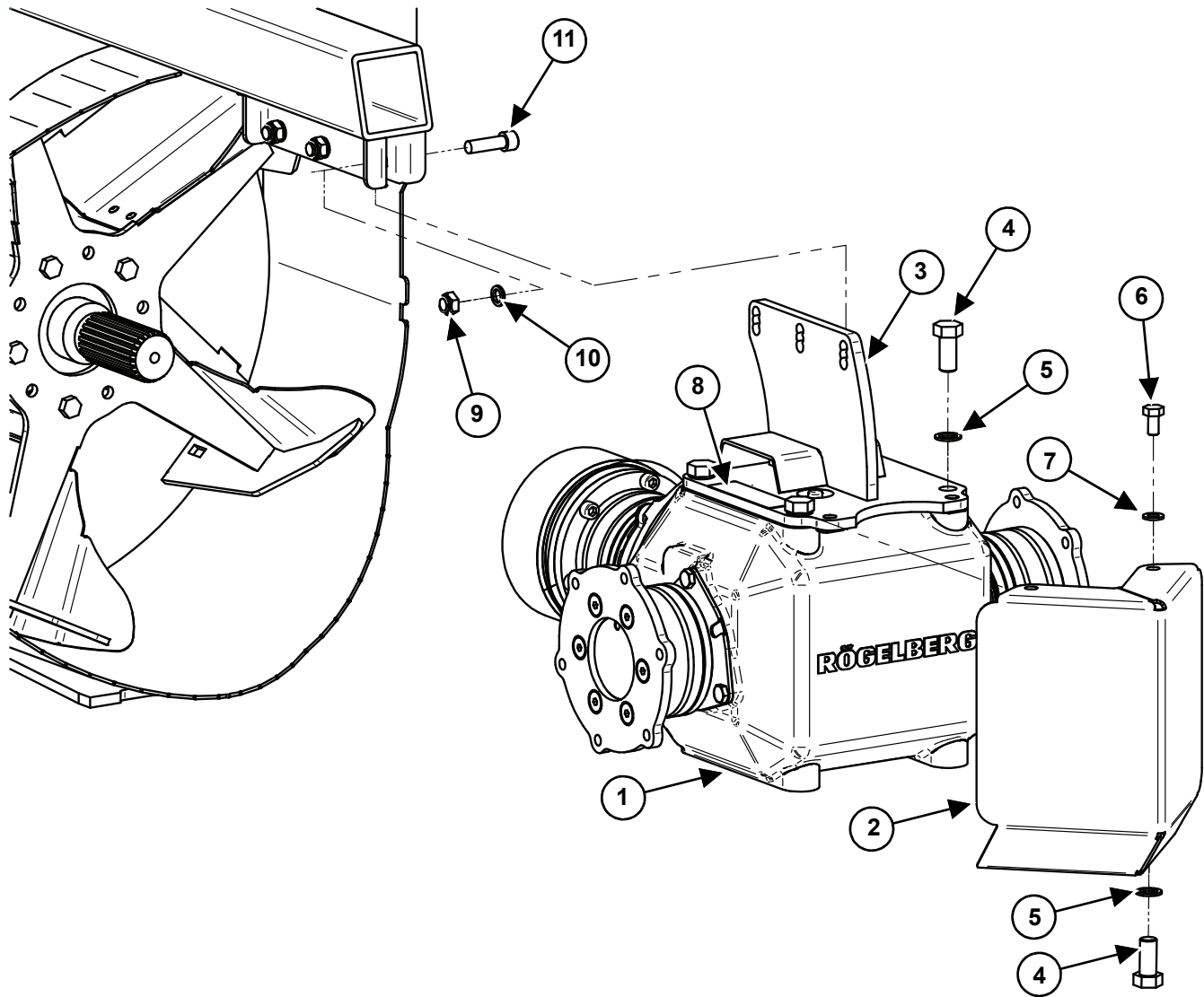
ITEM	PART #	DESCRIPTION	QTY
1	0984-551	Bracket	1
2	0984-552	Bracket	1
3	F102-10035	Bolt, Hex, M10 x 35	2
4	F169-12030	Bolt, Socket Head, M12 x 30	3
5	F302-06	Nut, Hex, M6	4
6	F312-10	Nut, Locking, M10	2
7	F402-10	Washer, Seating, 10.5 DIN125	4
8	F420-12	Washer, Seating, B12	3
9	K08-023	Rubber Damper	2

Blower Fan



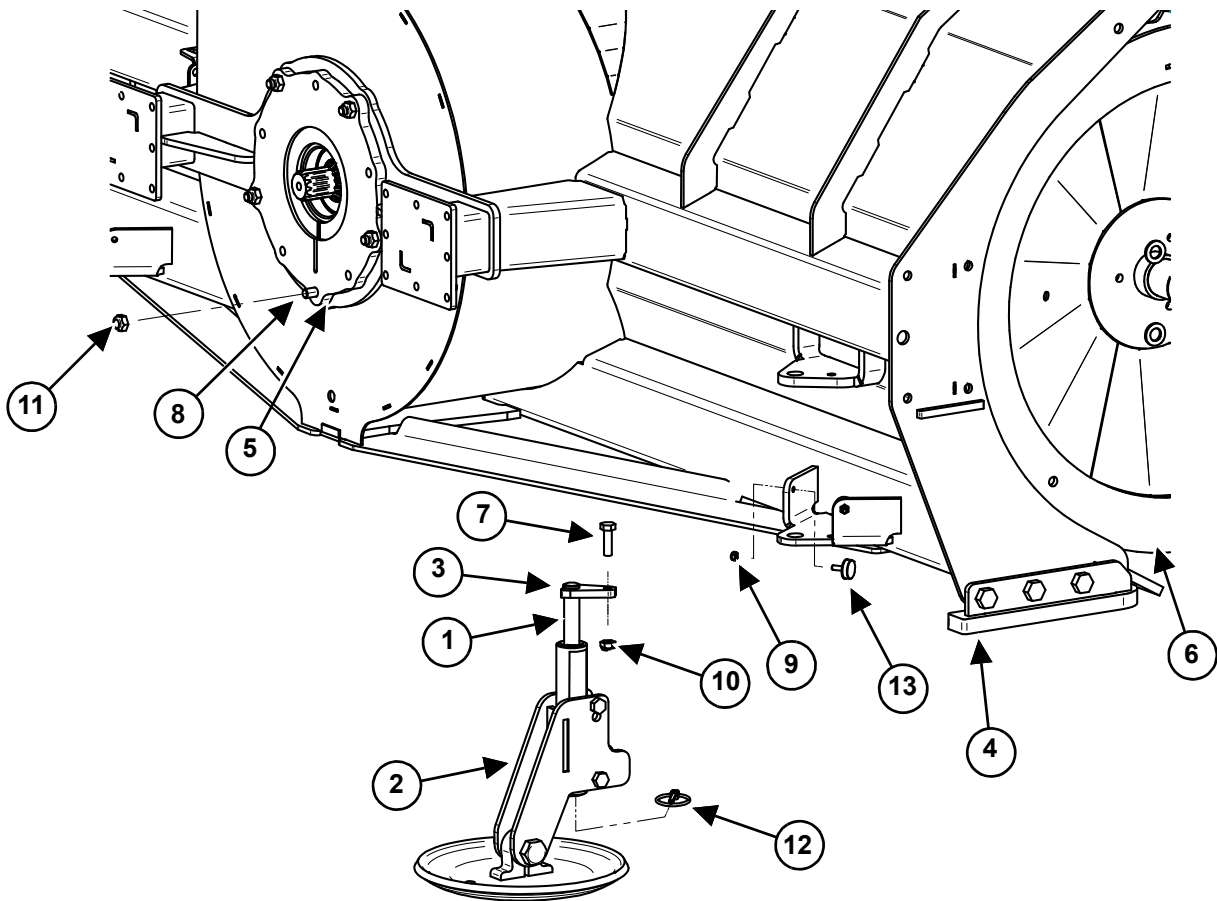
ITEM	PART #	DESCRIPTION	QTY
1	2116-300	Fan, Welded	1
2	2116-320	Bearing House, Welded	1
3	F102-12030	Bolt, Hex, M12 x 30	11
4	F112-12045	Bolt, Carriage, M12 x 45 - 8.8	5
5	F312-12	Nut, Locking, M12	40

Gearbox Mounting



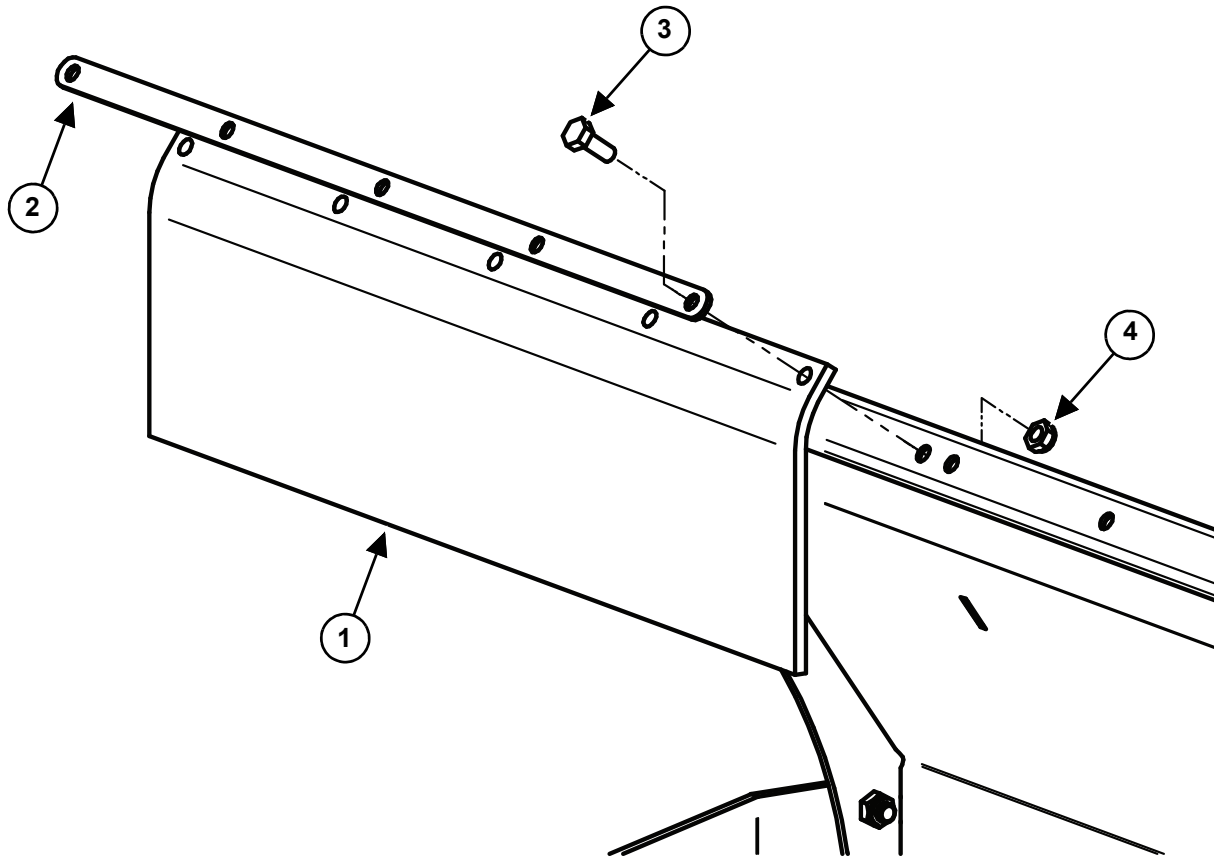
ITEM	PART #	DESCRIPTION	QTY
1	2116-340	Gear Box, Mounted	1
2	2116-256	Gear Box, Guard	1
3	2116-020B	Gear Box Mount, Welded	1
4	F102-16035	Bolt, Hex, M16 x 35	12
5	F422-16	Washer, Locking, 16 mm Nordlock	6
6	F102-10020	Bolt, Hex, M10 x 20	2
7	F402-10	Seating Washer, 10.5 DIN125	2
8	R91-081	Sticker, "Read the User Manual"	1
9	F312-12	Nut, Locking, M12	40
10	F422-12	Washer, Locking, 12 mm Nordlock	5
11	F169-12040F	Bolt, Socket Head, 12 x 40	3

Blower Housing / Wear Shoes



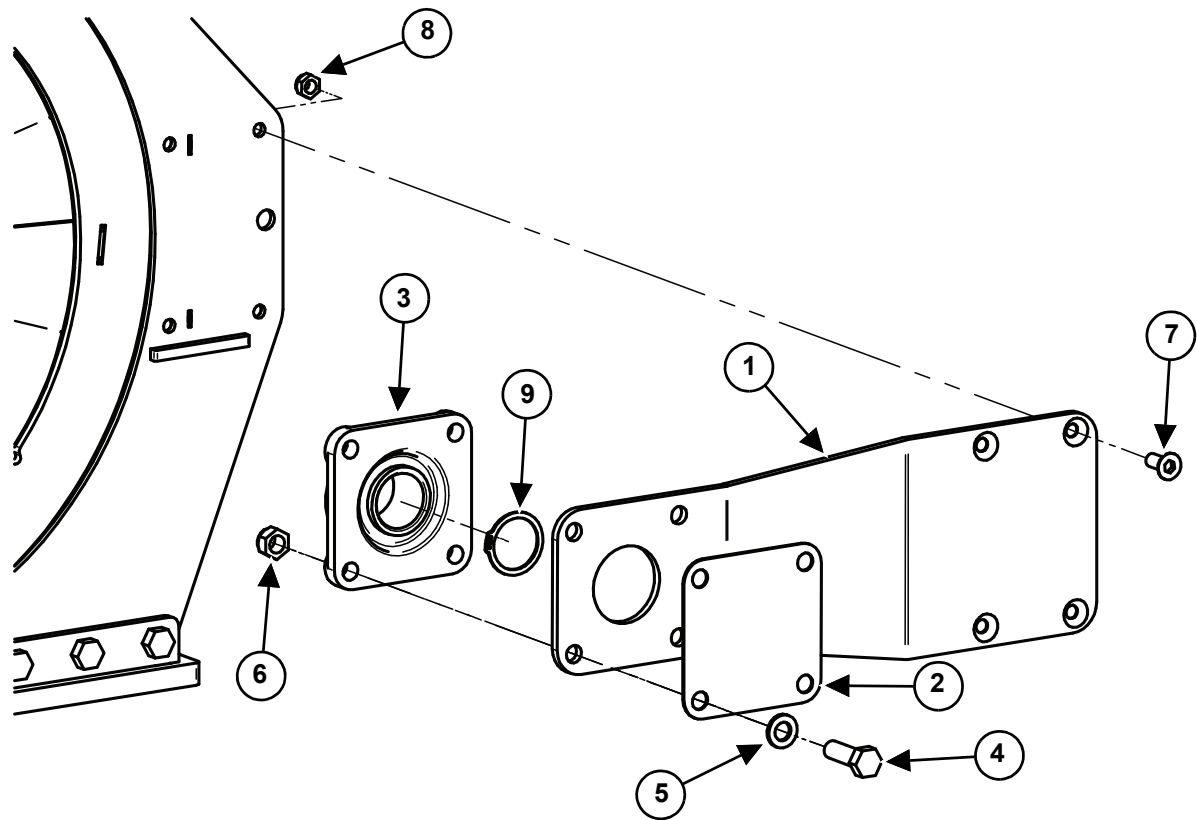
ITEM	PART #	DESCRIPTION	QTY
1	2116-211	Axle	2
2	2116-215	Wear Shoes, Mounted	2
3	2116-219	Plate, Fixing	2
4	2116-250H	Wear Shoe, Right	1
	2116-250V	Wear Shoe, Left (Not Shown)	1
5	2116-320	Bearing, Housing	1
6	2116-350HB	Auger, Right	1
	2116-350VB	Auger, Left (Not Shown)	1
7	F102-10035	Bolt, Hex, M10 x 35	14
8	F112-12045	Bolt, Carriage, M12 x 45 - 8.8	5
9	F312-06	Nut, Lock, M6	4
10	F312-10	Nut, Lock, M10	29
11	F312-12	Nut, Lock, M12	40
12	F470-06	Linch Pin, 6 NS 555	2
13	K08-023	Rubber Damper Ø20x23	4

Rubber Flap Parts



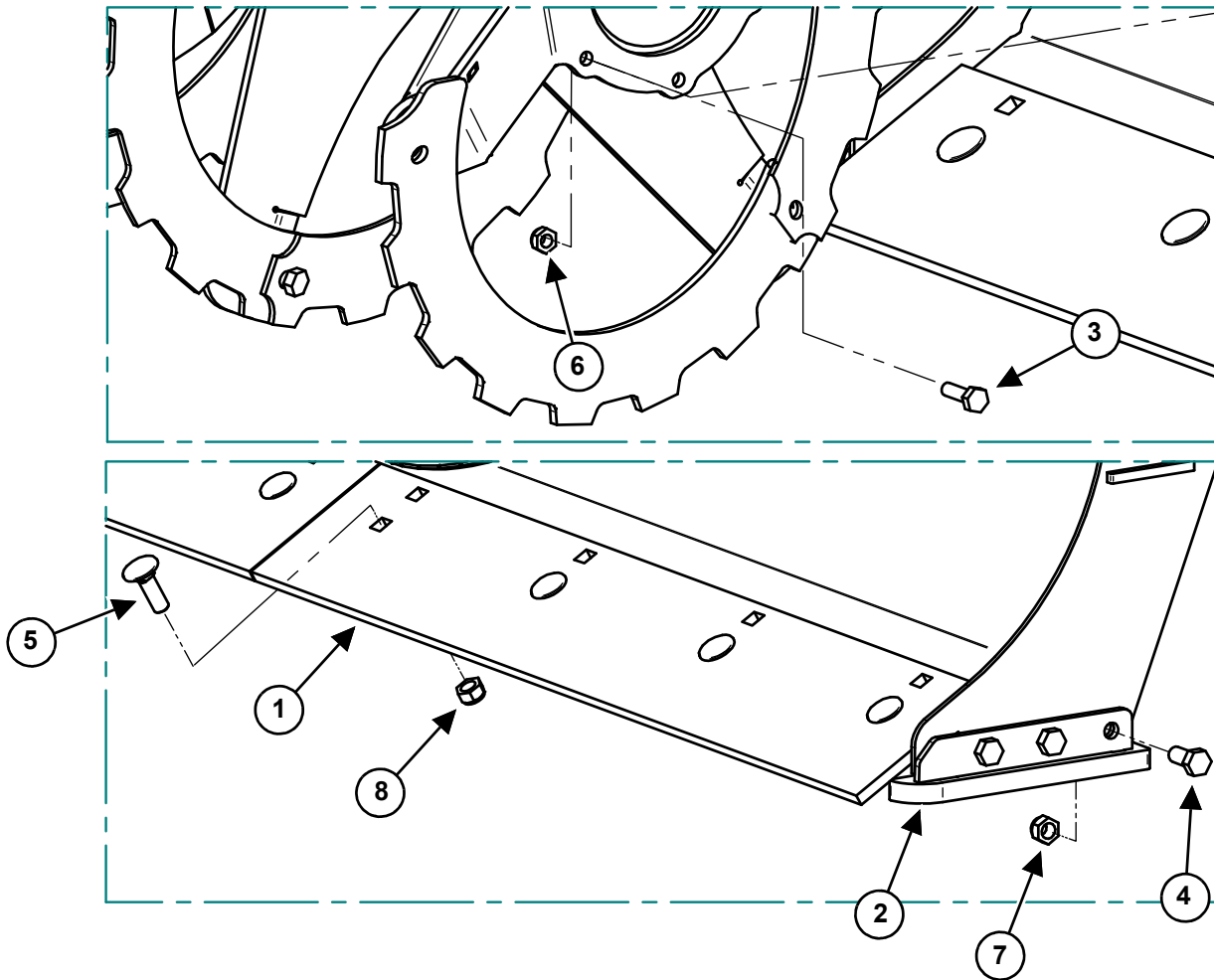
ITEM	PART #	DESCRIPTION	QTY
1	2116-553	Rubber Flap	3
2	2116-554	Clamping Plate	3
3	F102-10025	Bolt, Hex, M10 x 25	15
4	F312-10	Nut, Locking, M10	29

Auger Axle Parts



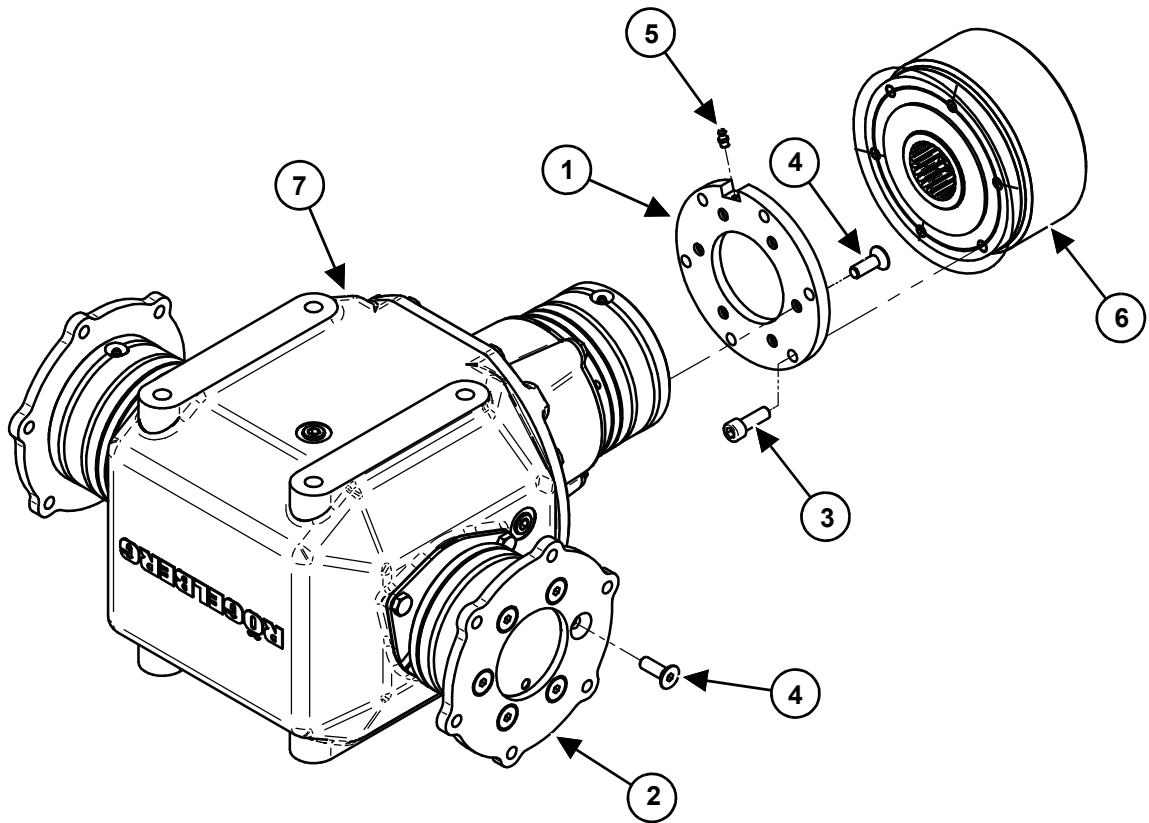
ITEM	PART #	DESCRIPTION	QTY
1	2116-254	Bracket	2
2	2116-253	Bearing, Guard	2
3	K02-003	Flanged Bearing, UCF210	2
4	F102-16050	Bolt, Hex, M16 x 50	8
5	F402-17	Seating, Washer, 17	8
6	F312-16	Nut, Locking, M16	14
7	F173-12030A	Bolt, Socket, Flat Head, M12 x 30	8
8	F312-12	Nut, Locking, M12	40
9	F430-50	Retaining Ring, A50 x 2	2

Cutting Edge / Axle Parts



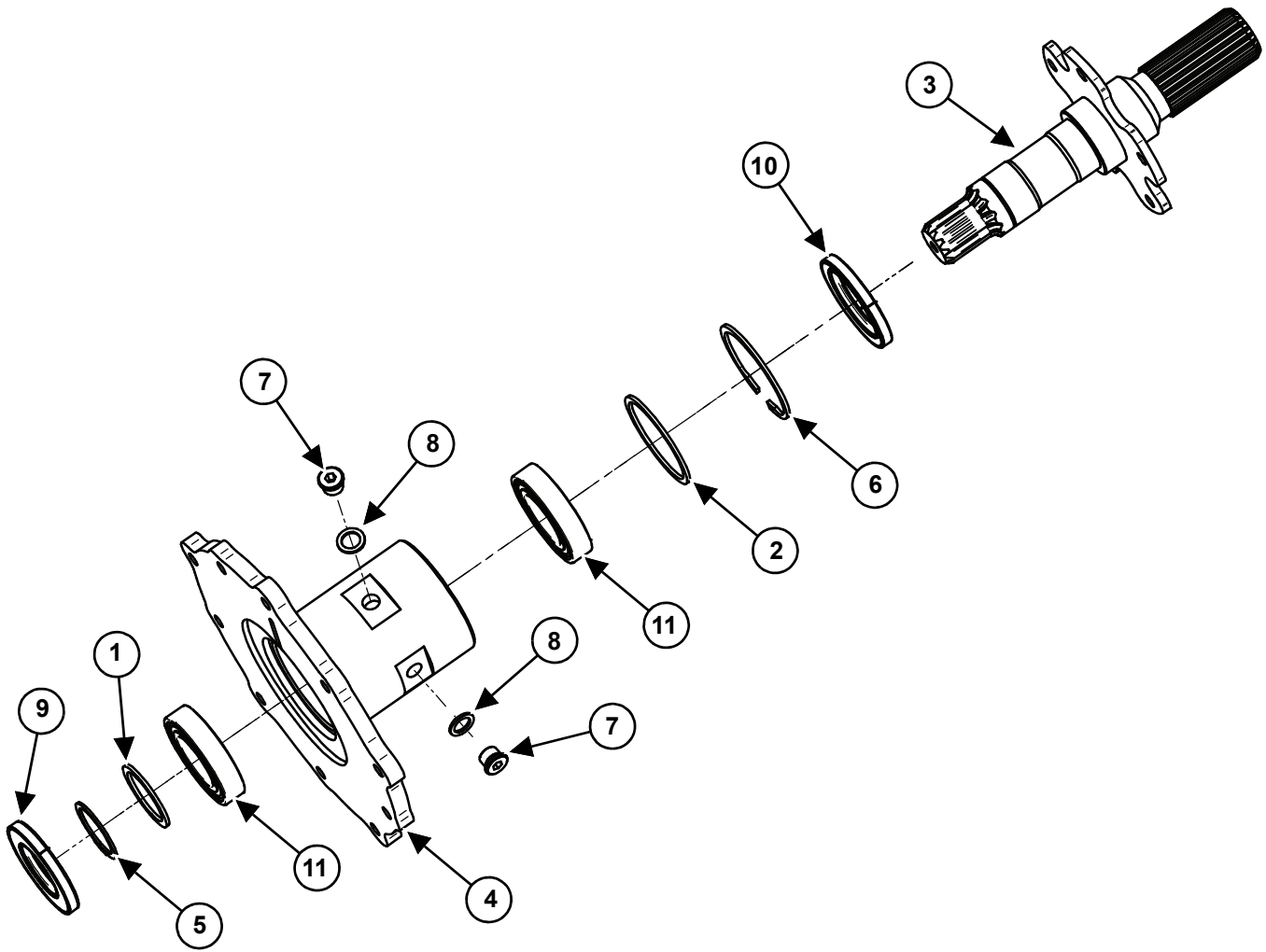
ITEM	PART #	DESCRIPTION	QTY
1	2110-501	Cutting Edge	2
2	2116-250V	Wear Shoe, Left	1
	2116-250H	Wear Shoe Right, (Not Shown)	1
3	F102-10035	Bolt, Hex, M10 x 35	14
4	F102-16035	Bolt, Hex, M16 x 35	6
5	F113-16050	Bolt, Carriage, M16 X 50 -10.9	8
6	F312-10	Nut, Lock, M10	14
7	F312-16	Nut, Lock, M16	6
8	F313-16N	Nut, Nyloc, M16, 10.9	8
NS	P81108	Cutting Edge Kit, Main & Side Edges, w/ HW	1

Gearbox



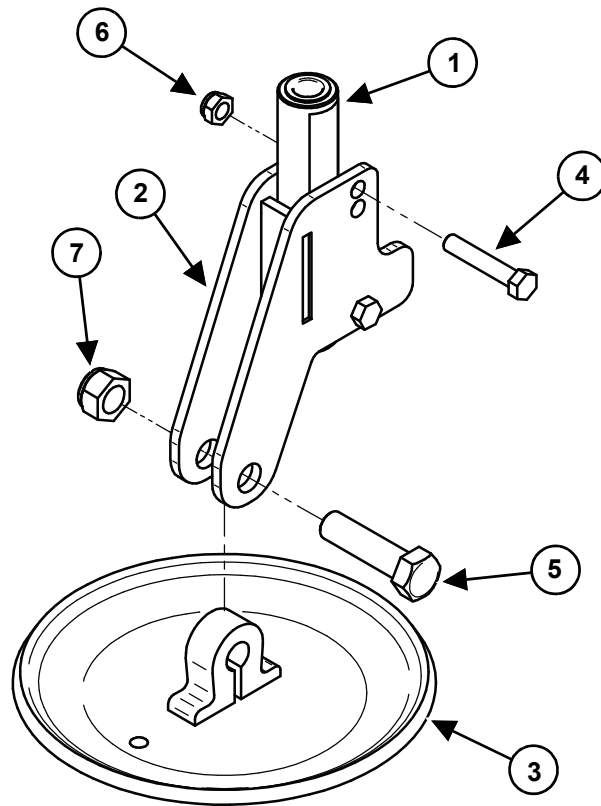
ITEM	PART #	DESCRIPTION	QTY
	2116-340	Gearbox	
1	2116-341	Adapter	1
2	2116-358	Auger Attachment	2
3	F169-10030	Bolt, Socket Head, 12.9 M10 x 30	6
4	F173-10030	Bolt, Socket Head, 10.9 M10 x 30	18
5	K99-022	Greasing Zerk, Straight M6	1
6	L01-344	EHTC 10/21 L	1
7	L30-029	Gearbox, 9400A 3:1	1

Fan Axle Parts



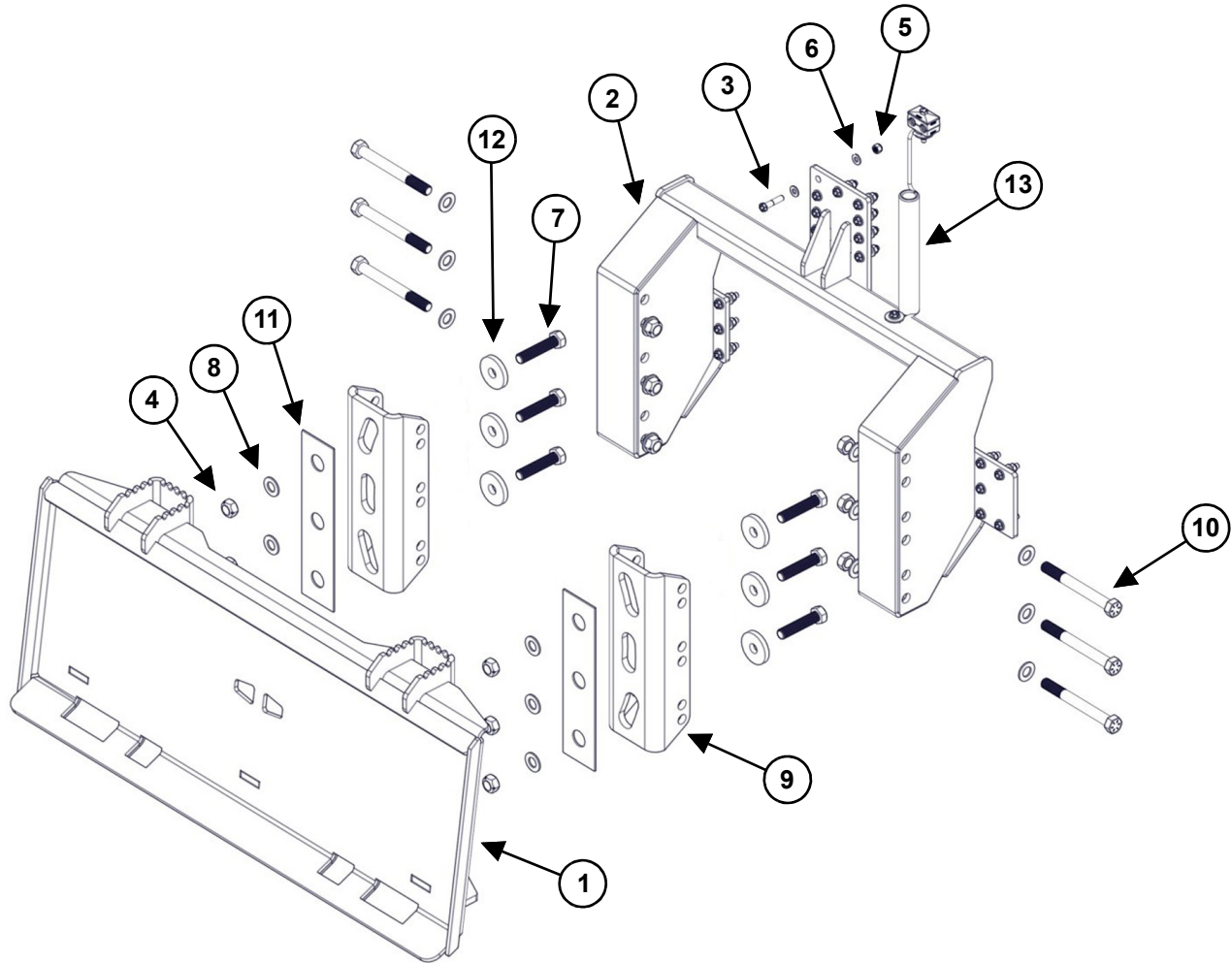
ITEM	PART #	DESCRIPTION	QTY
1	2116-138	Supporting Ring, Inner	1
2	2116-139	Supporting Ring	1
3	2116-304B	Fan Axle	1
4	2116-321	Bearing Housing, Welded	1
5	F430-50	Retaining Ring, A50 x 2	1
6	F435-90	Retaining Ring, I - 90 x 2.5	1
7	G01-017	Plug 3/8" R w/flange, DIN910	2
8	G50-057	Steel / Rubber Gasket for 3/8" BSP	2
9	G53-5004	Rotary Seal, 50 x 90 x 10	1
10	G53-6501	Rotary Seal, 65 x 90 x 10	1
11	K01-6210	Ball Bearing, 6210 2RS	2

Wear Shoe



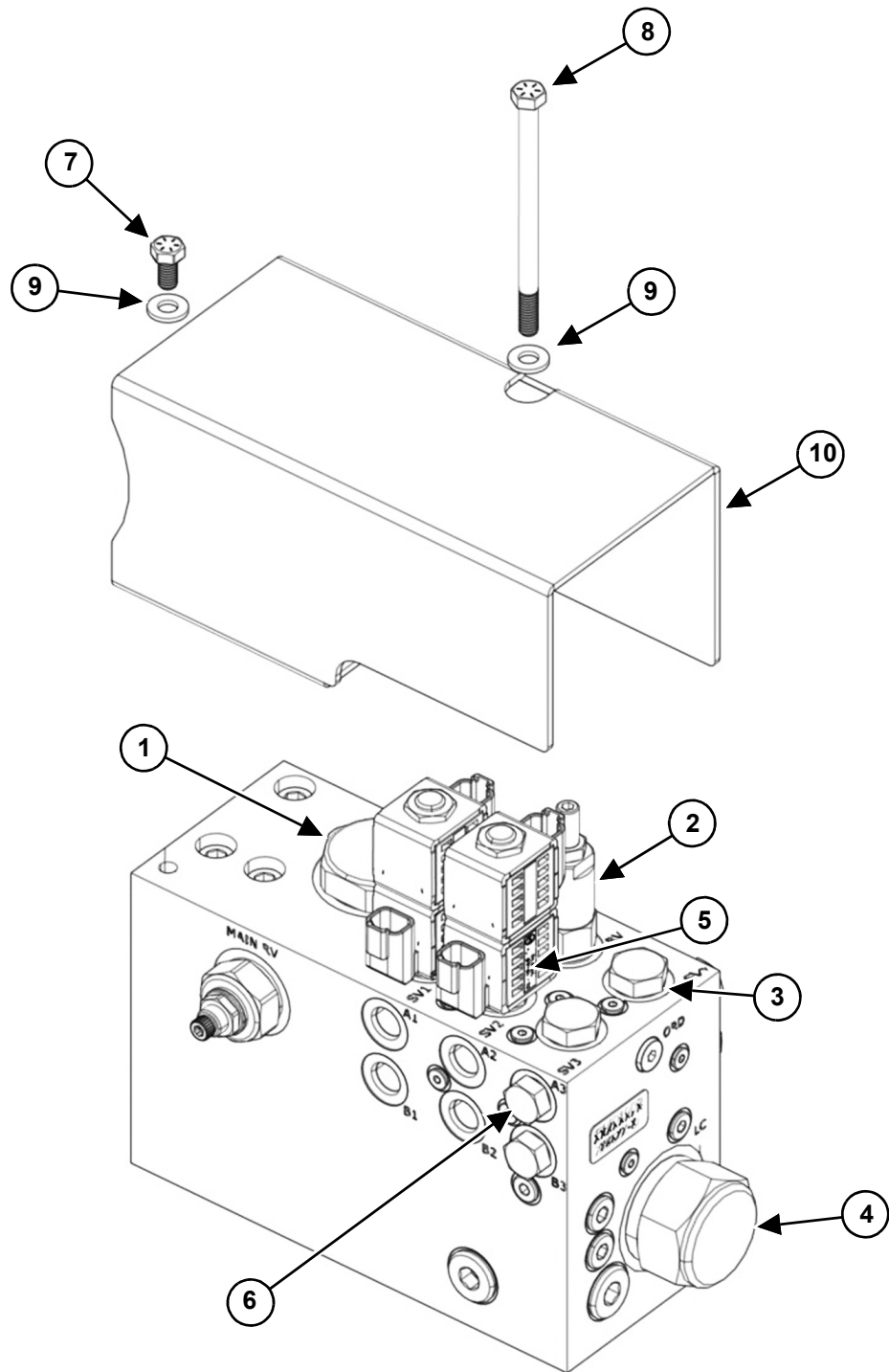
ITEM	PART #	DESCRIPTION	QTY
1	2116-213	Sleeve w/ Bearing	1
2	2116-214	Bracket, Welded	1
3	2116-260	Support Disc	1
4	F102-12065	Bolt, Hex, M12 x 65	2
5	F102-20075	Bolt, Hex, M20 x 75	1
6	F312-12	Nut, Locking, M12	2
7	F312-20	Nut, Locking, M20	1

Blower Skidsteer Mount



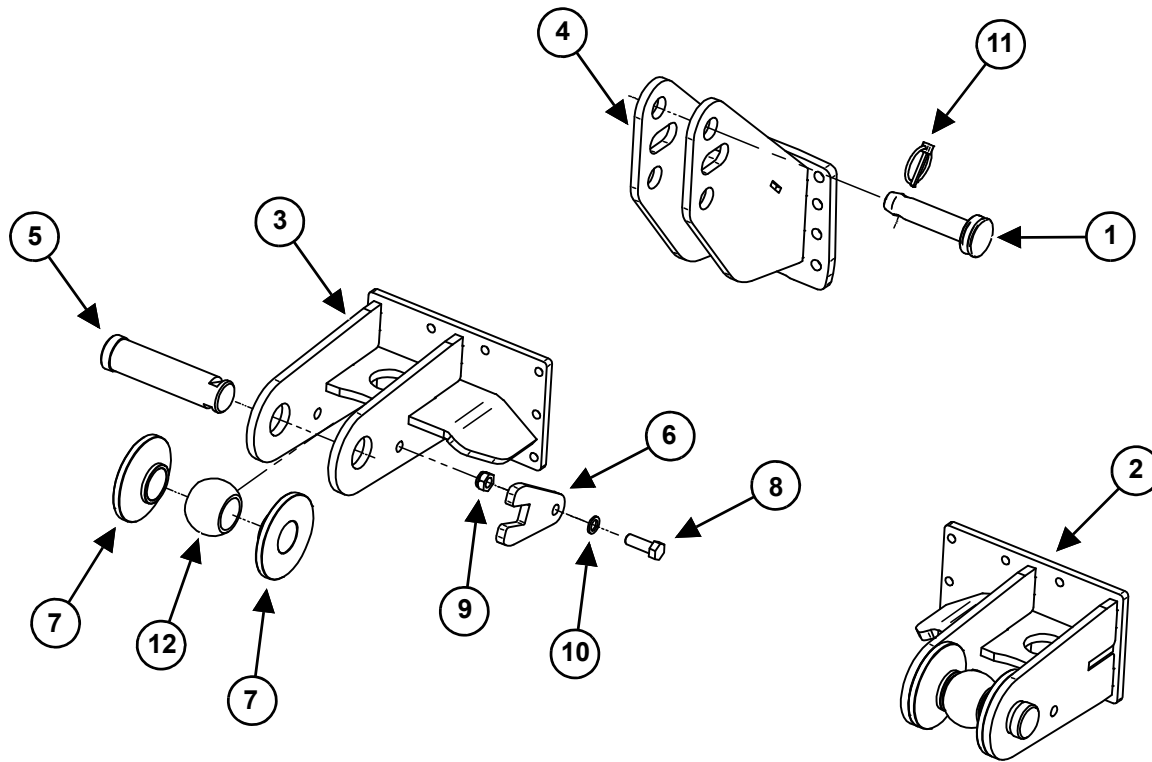
ITEM	PART #	DESCRIPTION	QTY
1	P81099	Blower Skidsteer Mount	1
2	P81101	Housing To Mount Adapter For 24-84	1
3	1001148	Bolt, Hex, 3/8"-16 x 1-3/4, Gr8, Zinc	30
4	P20028	Nut, Lock, 3/4"-10 Grade C, Stover	12
5	P60047	Nut, Nylock, 3/8"-16, Gr8, Zinc	30
6	P60088	Washer, Flat, 3/8" SAE, Zinc	56
7	P60230	Bolt, Hex, 3/4 x 3-1/2" Yellow Zinc, Gr8	6
8	P60296	Washer, 3/4" SAE, Gr8	18
9	P81100	Adjuster Pivot Plate For Mount On 24-84	2
10	P81104	Bolt, Hex, 3/4-10 x 7" Zinc, Gr8	6
11	P81105	Thrust Strip, SS Blower Mount	2
12	P81106	Retaining Washer, SS Blower Mount	6
13	P60086-K	Spring, Hose Holder W/ 1/4" Clamp and HW Kit (Option)	1

Hydraulic Manifold, Motor



ITEM	PART #	DESCRIPTION	QTY
	P30118	Manifold Assembly With Fittings (Includes Items 1-8)	
1	P38232	Cartridge, Check Valve	1
2	P38229	Cartridge, Relief Valve Differential 100-1500 PSI	1
3	N/A	Plug, SAE-8 Hex Head	2
4	P38228	Spool Valve, (Torque to 70 FT. LBS)	1
5	P38235	Coil and Solenoid Cartridge Kit	2
6	N/A	Plug, SAE-6, Hex Head	4
7	1001142	Bolt, Hex, 5/16"-18 x 5/8", Gr8, Yellow Zinc	1
8	1001143	Bolt, Hex, 5/16"-18 x 4-3/4", Gr8, Yellow Zinc	1
9	P60092	Washer, Flat, 5/16" SAE	2
10	1001108	Manifold Valve Protector	1
NS	N/A	O-Ring, BUNA N 90 Duro -219	2
NS	1000181	Motor, FS30 Series, 24-84	1
NS	P81086	Pressure Gauge, 5000 PSI, Inline On Hose	1

3-Point Mount



ITEM	PART #	DESCRIPTION	QTY
1	2007-165	Pin	1
2	2116-824	Mount, 3 Point, Right	1
3	2116-825	Mount, 3 Point, Left	1
4	2116-829B	Mount, 3 Point, Top	1
5	2118-235	Pin	2
6	3025-075	Lock Plate	2
7	3025-107	Washer	4
8	F102-12035	Bolt, Hex, M12 x 35	2
9	F312-12	Locking Nut, M12	2
10	F402-13D	Seating Washer, 13 20 2	2
11	F470-06	Linch Pin, 6 NS 555	1
12	K15-061	Ball, Swivel	2

Decal Identification

PART #	DESCRIPTION	QTY
DC121	Decal, PTO 1000 RPM	1
DC122	Decal, PTO 540 RPM	1
DC120	Decal, Oil	2
DC119	Decal, Grease Point	4
DC125	Decal, Caution Hydraulics	1
DC124	Decal, Read Manual	1
DC126	Decal, Stay Clear	1
DC123	Decal, Crush Hazard	2
DC127	Decal, 3 in 1 Warning	1
DC28	Decal, SnowWolf	1
DC29	Decal, Wolhead	1
SWSN	Decal, Serial #	1
DC133	24-84-H	1
DC168	24-84-P	1





8415 220th Street West, Suite K • Lakeville, MN 55044
1-800-905-2265 / snowwolfplows.com