



Parts Manual



AlphaBlower

Models 33-100-P & 33-100-H



REMEMBER: Register your product! No claims for warranty shall be considered unless your product registration card is completed online within 30 days of purchase. Go to: snowwolfplows.com/registration.

Manufactured By:



8415 220th Street West, Suite K
Lakeville, MN 55044
www.snowwolfplows.com

CONTENTS

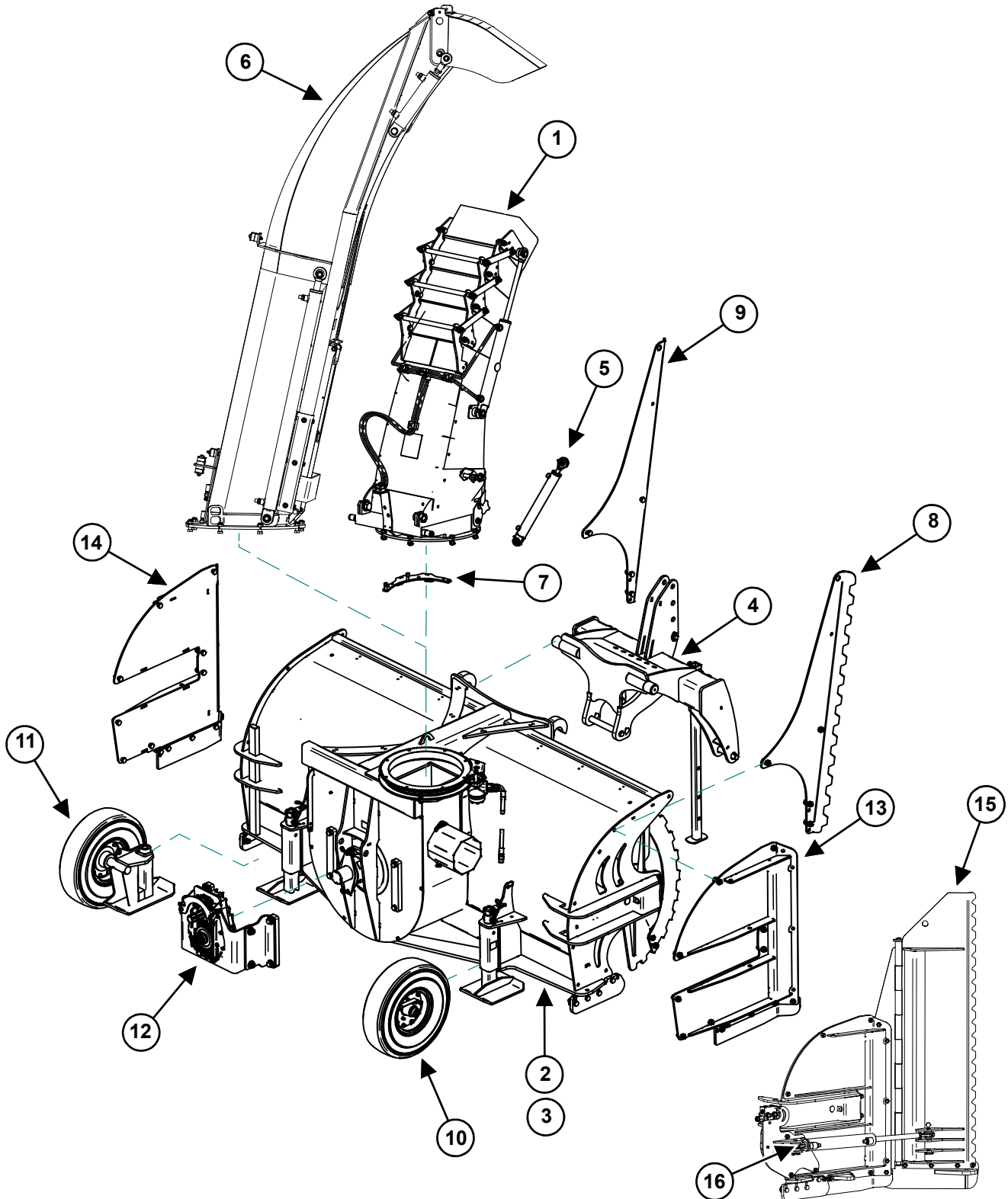
AlphaBlower (Both Models).....	4
AlphaBlower Parts	4
Auger Axle	11
Hydraulic Swivel Motor.....	14
Deluxe Chute, 4-Stage.....	16
Chute, Telescopic	18
Chute, Hydraulic Tilt	20
Chute, Swivel Stopper	21
Three-Point, Connection Frame	22
Blower Mount Assembly.....	24
AlphaBlower (Model 33-100-H)	26
Hydraulic Manifold, Motor	26
Wireless Controls.....	28
Decal Identification (Both Models).....	29
Options (Both Models)	30
Side Panels	30
Drift Cutter	31
Gauge Wheels (Foam Filled)	32
Options (Model 33-100-P)	34
Gearbox, Front Mounting.....	34
Wing Kit	36



This page left intentionally blank

AlphaBlower (Both Models)

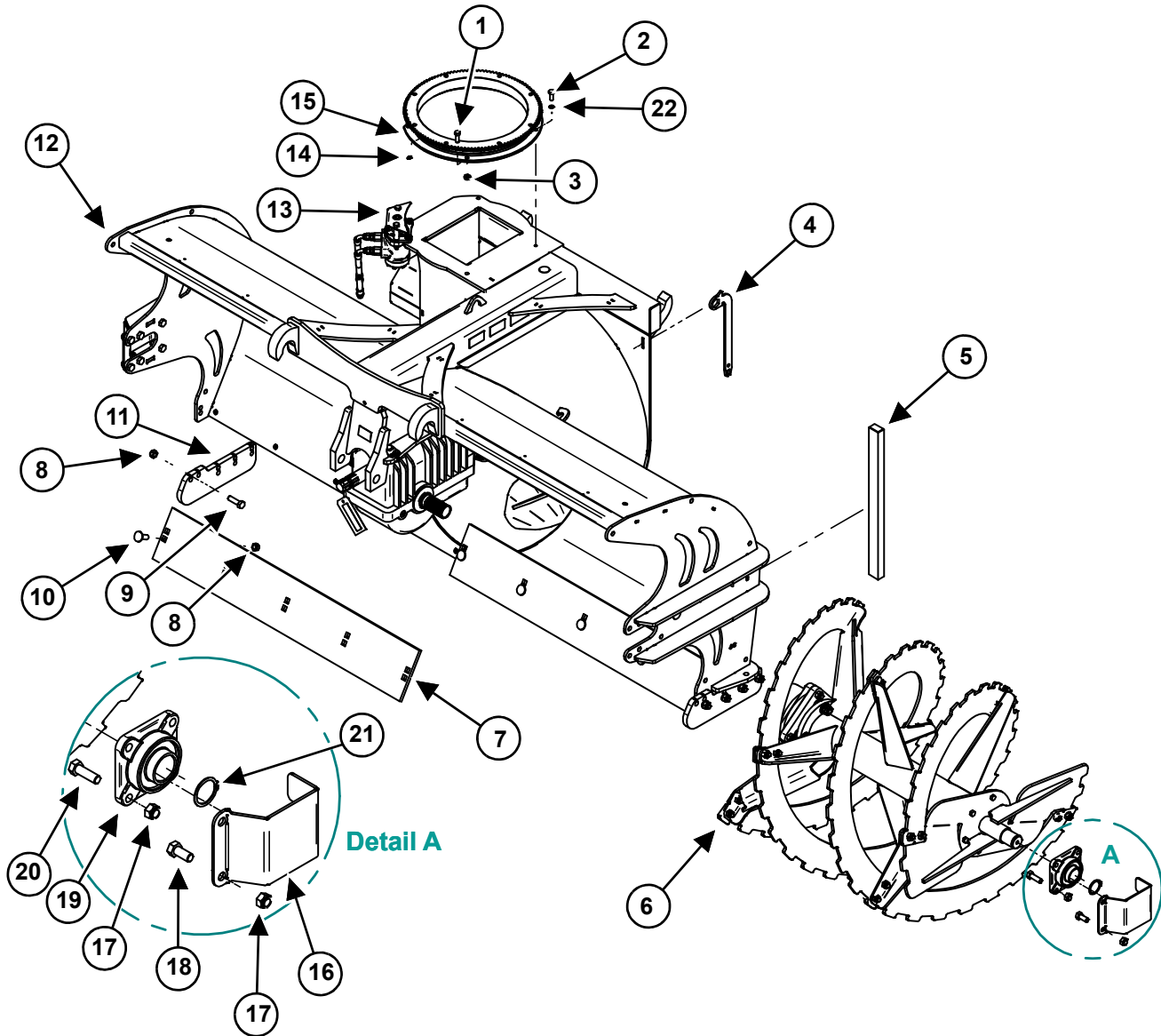
AlphaBlower Parts



ITEM	PART #	DESCRIPTION	QTY
1	1900-010	Standard Chute w/ HYD 4 Flaps	1
2	2013-010C	Snow Blower, 540 rpm	1
3	2013-010CX	Snow Blower, 1000 rpm	1
4	2014-400TP	Connection Frame, 3-Point	1
5	0990-300	Cylinder, Hydraulic Tilt	1
6	0994-K	Truck Load Chute Kit, Incl. Valve, Hoses, Fittings	1
7	2006-550	Swivel Stopper	1
8	2011-560H	Drift Cutter, Right	1
9	2011-560V	Drift Cutter, Left	1
10, 11	2012-550	Gauge Wheel Set	1
10	2012-550H	Gauge Wheel with Shoe, Right	1
11	2012-550V	Gauge Wheel with Shoe, Left	1
12	2012-600KB	Gearbox for Front Mounting (Model 33-100-P Only)	
13	2013-250H	Side Panel, Right	1
14	2013-250V	Side Panel, Left	1
Hydraulic Wing Cutting Edge (Optional)			
15	2013-700	Wing, Hydraulic, Right	1
16	1292-AC	Hydraulic Cylinder	1
MISCELLANEOUS			
-	L01-125	PTO Shaft (1000 rpm), (For Towing) (Model 33-100-P Only)	
-	L01-126	Shear Bolt, (For Front Mount) (Model 33-100-P Only)	
-	L01-127	PTO Shaft (540 rpm) w/overload Clutch For tractors > 200hp For 1 3/4", 6 or 20 splines PTO Stub Shaft on the Tractor Side. Please specify when ordering. (Model 33-100-P Only)	(For Towing) (For Reversing)

AlphaBlower (Both Models) (Cont'd)

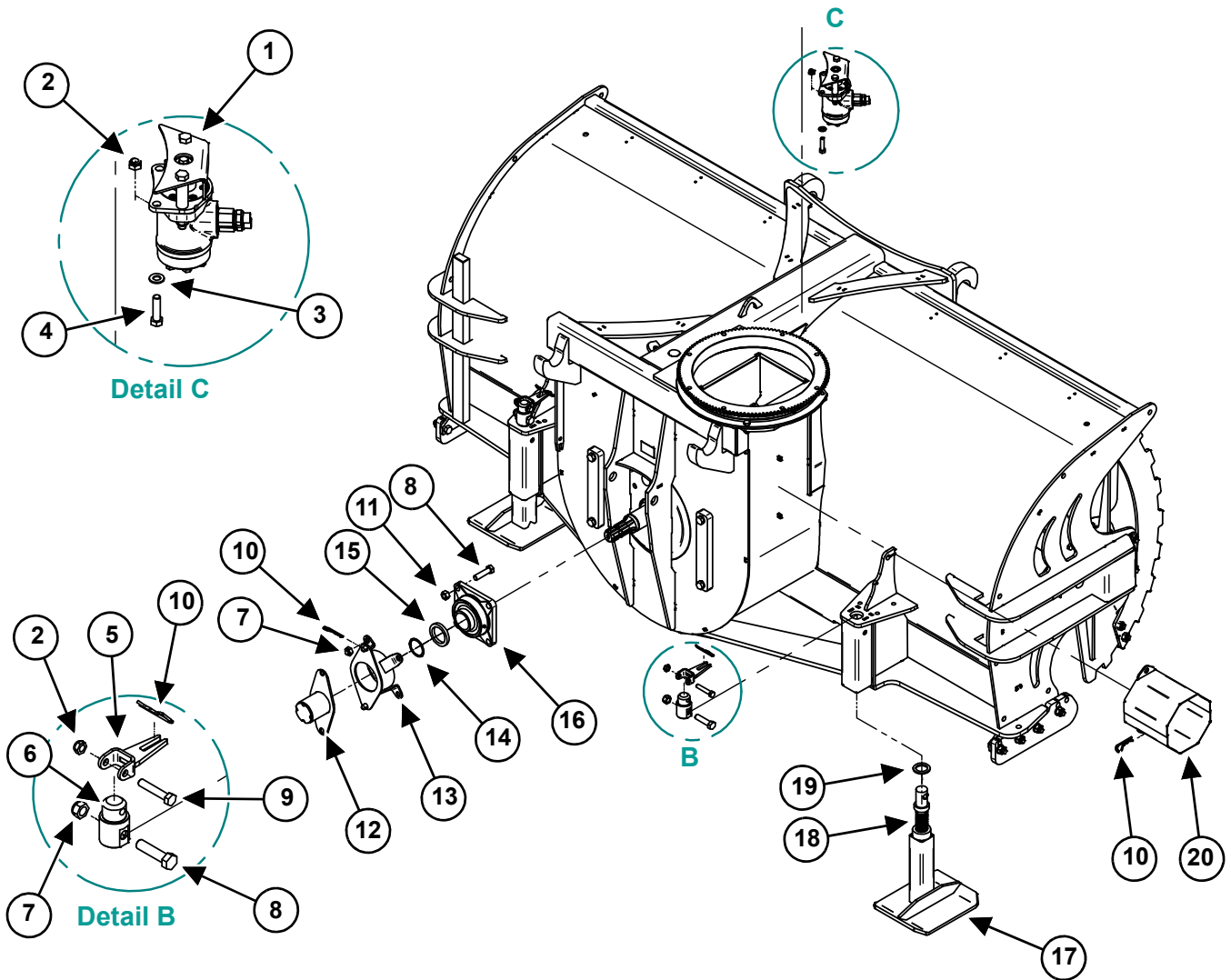
AlphaBlower Parts (Cont'd)



ITEM	PART #	DESCRIPTION	QTY
1	F102-12035	Bolt, Hex, M12 x 35	7
2	F102-12030	Bolt, Hex, M12 x 30	1
3	F312-12	Nut, Lock, M12	7
4	2013-999B	Key	1
5	0278-097	Clearing Rod	1
6	2013-350CV	Auger, Left	1
7	2013-501	Cutting Edge, Level, 12 x 200 x 1256	2
8	P40012	Nut, Lock, 5/8"-11, Zinc, Grade C	18
9	1001254	Bolt, Hex, 5/8"-11 x 2-1/4", Grade 8	8
10	SW-700070	Bolt, Carriage, 5/8"-11 x 2", Y ZN, Grade 8	10
11	2013-520	Replaceable Edge, Blower Housing	2
12	2013-100B	Blower Housing	1
13	0984-B	Motor, HYD Swivel, Slew Ring	1
14	K99-003	Zerk, Grease	4
15	0984-510	Slew Ring, Ø500 Toothed	1
16	2011-099	Guard, Bearing	2
17	F312-16	Nut, Lock, M16	22
18	F102-16035	Bolt, Hex, M16 x 35	4
19	K02-003	Bearing, Flanged, UCF212	2
20	F102-16050	Bolt, Hex, M16 x 50	8
21	F430-60	Retaining Ring A - 50 x 2	2
22	F312-12	Nut, Lock, M12	6
Cutting Edge Kits			
NS	1001256	Cutting Edge Kit, Main & Side Edges, w/ HW (For Models w/ Open Ribbon)	1
NS	1001263	Cutting Edge Kit, Main & Side Edges, w/ HW (For Models w/ End Panels)	1
NS	1001264	Cutting Edge, Sides Only, L&R, w/ HW (For Models w/ Open Ribbon)	1
NS	1001265	Cutting Edge, Sides Only, L&R, w/ HW (For Models w/ End Panels)	1

AlphaBlower (Both Models) (Cont'd)

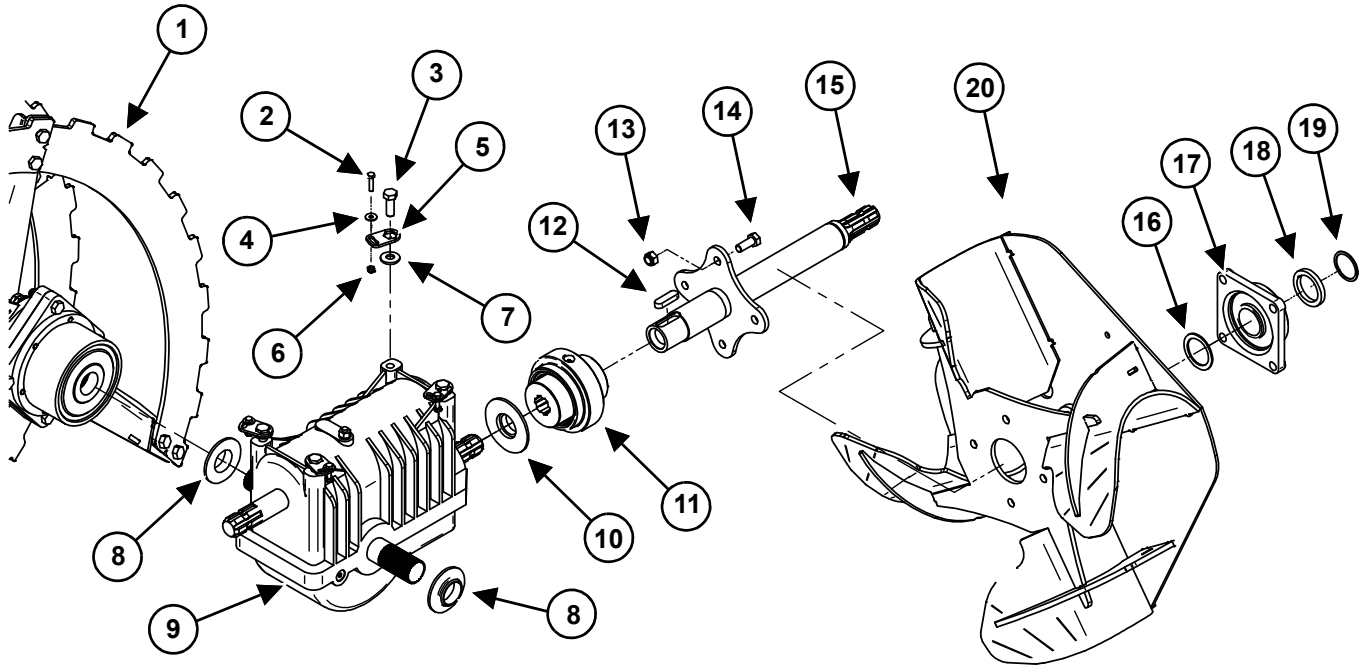
AlphaBlower Parts (Cont'd)



ITEM	PART #	DESCRIPTION	33-100-P QTY
1	0984-510	Motor, HYD Swivel	2
2	F312-12	Nut, Lock, M12	6
3	F402-13	Washer, Seating	2
4	F102-12045	Bolt, Hex, M12 x 45	2
5	2007-835	Handle	2
6	2007-838	Sleeve	2
7	F312-16	Nut, Lock, M16	30
8	F102-16065	Bolt, Hex, M16 x 65	6
9	F102-12065	Bolt, Hex, M12 x 65	2
10	F460-04	Spring Pin	6
11	F312-16	Nut, Lock, M16	4
12	2010-380	Guard, PTO Stub Shaft	1
13	2010-385	Guard, Fixtures	1
14	F430-60	Retaining Ring, A60 x 2	1
15	2010-255	Pressure Ring	1
16	K02-011	Bearing, Flanged, UCF 212	1
17	1279-265	Wear Shoes	2
18	1279-270	Screw, Adjustment	2
19	1279-297	Washer, Support	2
20	2010-390	Guard, Axle	1

AlphaBlower (Both Models) (Cont'd)

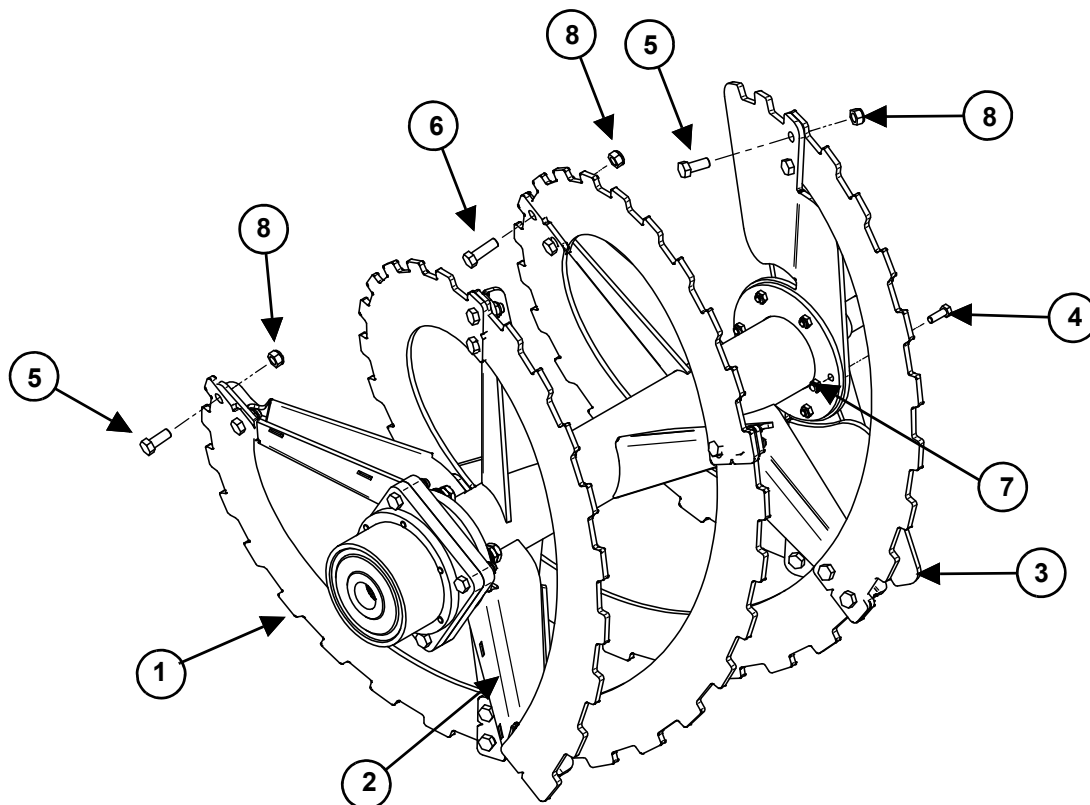
AlphaBlower Parts (Cont'd)



ITEM	PART #	DESCRIPTION	33-100-P QTY
1	2013-350CH	Auger, Right	1
2	F102-08035	Bolt, Hex, M8 x 35	4
3	1000154	Bolt, Hex, M16 x 45	4
4	F410-08	Washer, Seating	4
5	2014-256	Washer, Lock	4
6	F312-08	Nut, Lock, M8	4
7	F423-16	Washer, Friction	4
8	2013-391	Guard	2
9	L30-027	Gear Box 540 RPM	1
	L30-028	Gear Box 1000 RPM	1
10	2012-253	Guard, Impeller Axle Gasket	1
11	L04-007	Claw Coupling, Curved Tooth	1
12	2012-325	Key	1
13	F312-16	Nut, Lock, M16	30
14	F102-16040	Bolt, Hex, M16 x 40	4
15	2012-320B	Impeller Axle With Spline	1
16	2011-901	Spacer	2
17	K02-011	Bearing, Flanged, UCF 212	1
18	2010-255	Pressure Ring	1
19	F430-60	Retaining Ring	1
20	2013-300SW	Impeller Fan	1
NS	2013-HY01	Shaft Transition, HYD Motor (Subcomp. of L04-0070)	1

AlphaBlower (Both Models) (Cont'd)

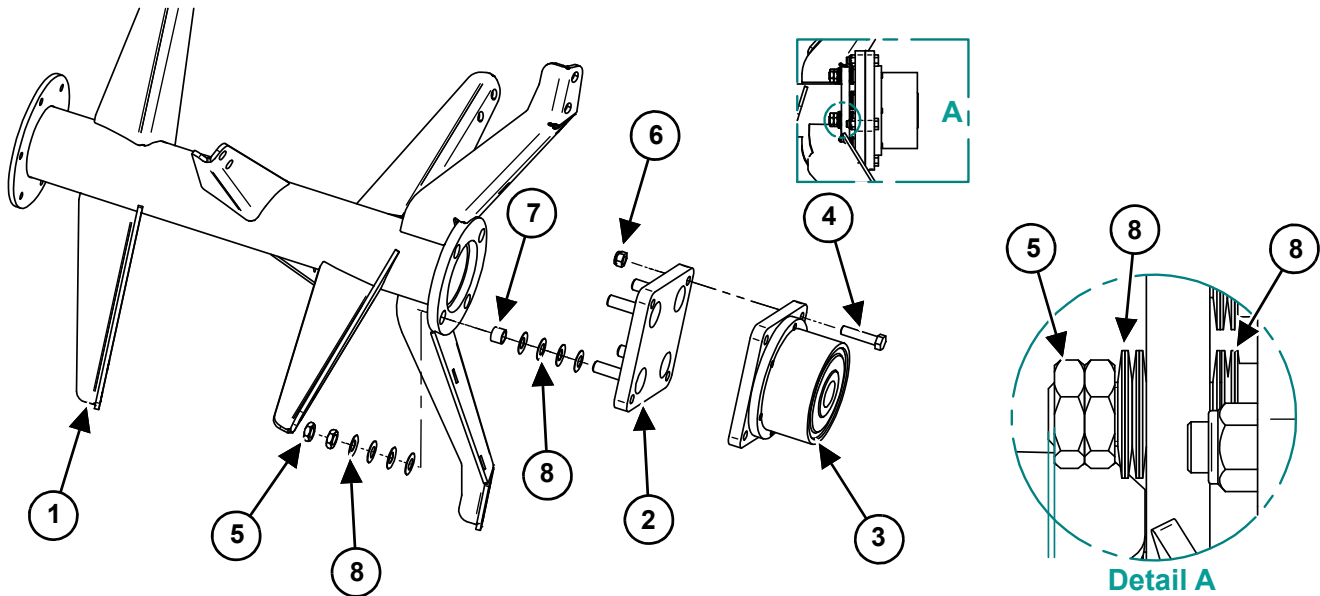
Auger Axle



ITEM	PART #	DESCRIPTION	QTY
1	2013-351H	Auger Section, Right	8
NS	2013-351V	Auger Section, Left	8
2	2013-355CH	Auger Axle, Right	1
NS	2013-355CV	Auger Axle, Left	1
3	2013-370H	Auger Wing, Right	1
NS	2013-370V	Auger Wing, Left	1
4	F102-12035	Bolt, Hex, M12 x 35	6
5	F102-16040	Bolt, Hex, M12 x 40	8
6	F102-16050	Bolt, Hex, M16 x 50	12
7	F312-12	Nut, Lock, M12	6
8	F312-16	Nut, Lock, M16	20

AlphaBlower (Both Models) (Cont'd)

Auger Axle (Cont'd)

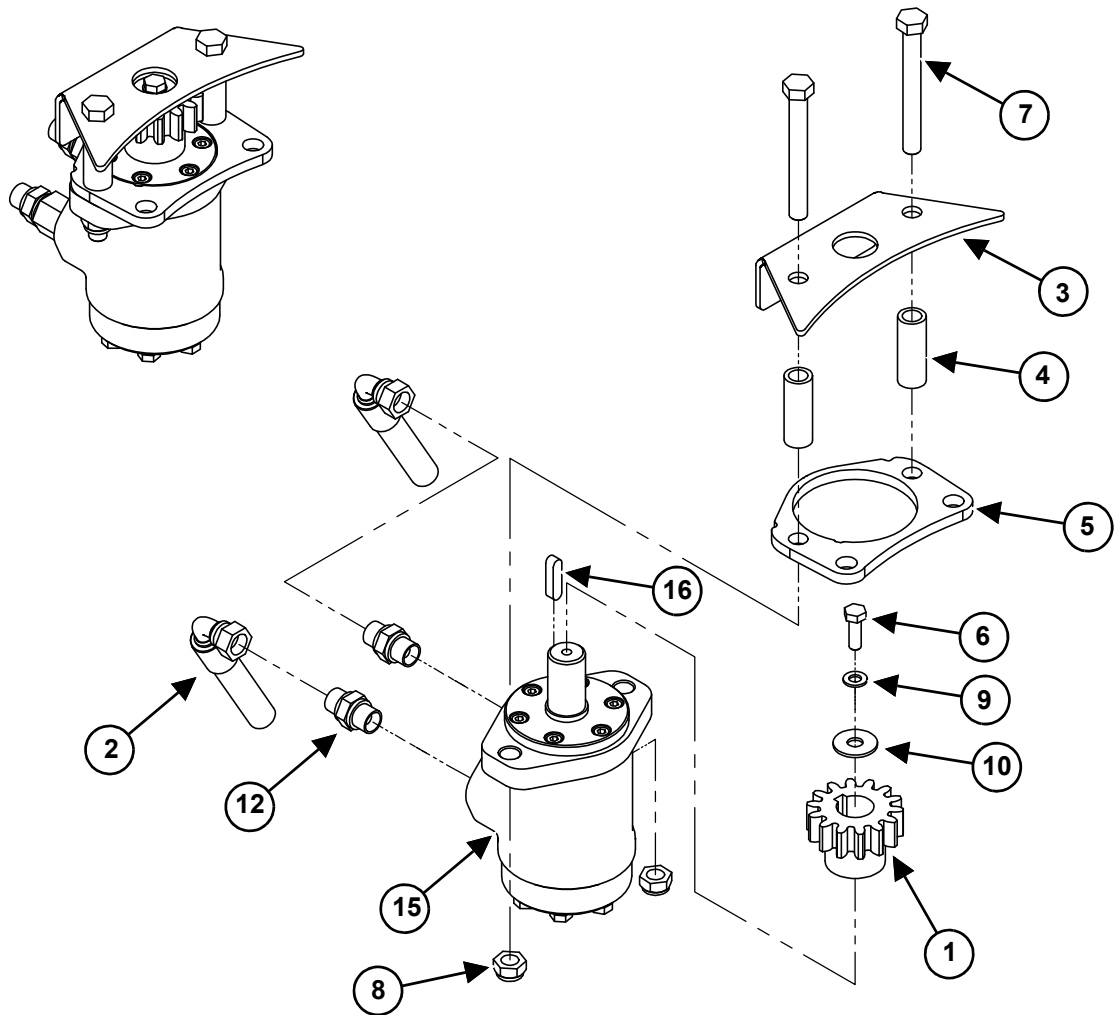


ITEM	PART #	DESCRIPTION	QTY
1	2013-360BH	Auger Axle, Right	1
NS	2013-360VH	Auger Axle, Left	1
2	2013-375C	Plate, Flange	1
3	2013-390H	Clutch, Cut Out, Right	1
NS	2013-390V	Clutch, Cut Out, Left	1
4	F102-16070	Bolt, Hex, M16 x 70	4
5	F305-20L	Nut, Jam, M20	8
6	F312-16	Nut, Lock, M16	4
7	K03-22	Bearing, Friction	4
8	K14-008	Cup Spring	32

This page left intentionally blank

AlphaBlower (Both Models) (Cont'd)

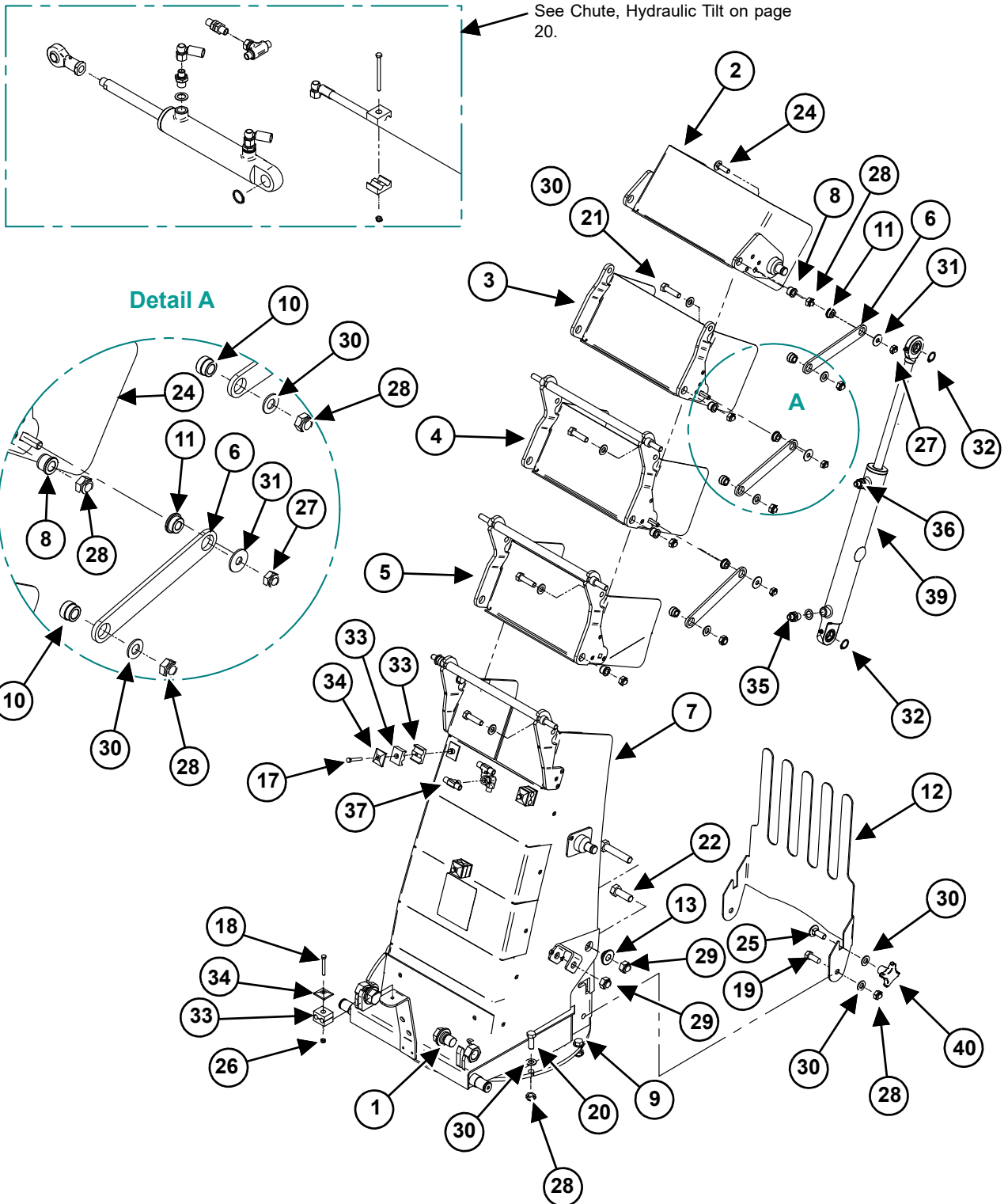
Hydraulic Swivel Motor



ITEM	PART #	DESCRIPTION	QTY
1	0984-301C	Cog Wheel	1
2	P81058	Hose, Hydraulic	2
3	0984-603	Cover	1
4	0984-604	Sleeve, Spacer	2
5	0984-605	Engine Support Slew Ring	1
6	F102-08025	Bolt, Hex, M8 x 25	1
7	F102-12100	Bolt, Hex, M12 x 100	2
8	F312-12	Nut, Lock, M12	2
9	F402-08	Washer, Seating	1
10	F410-10	Washer, Seating	1
12	P81066	Fitting, Elbow, #6MJIC-#8MBPP	2
15	H01-033	Motor, Hydraulic	1
16	F600-001	Key, Sunk Tapered A 8 x 7 x 32	1

AlphaBlower (Both Models) (Cont'd)

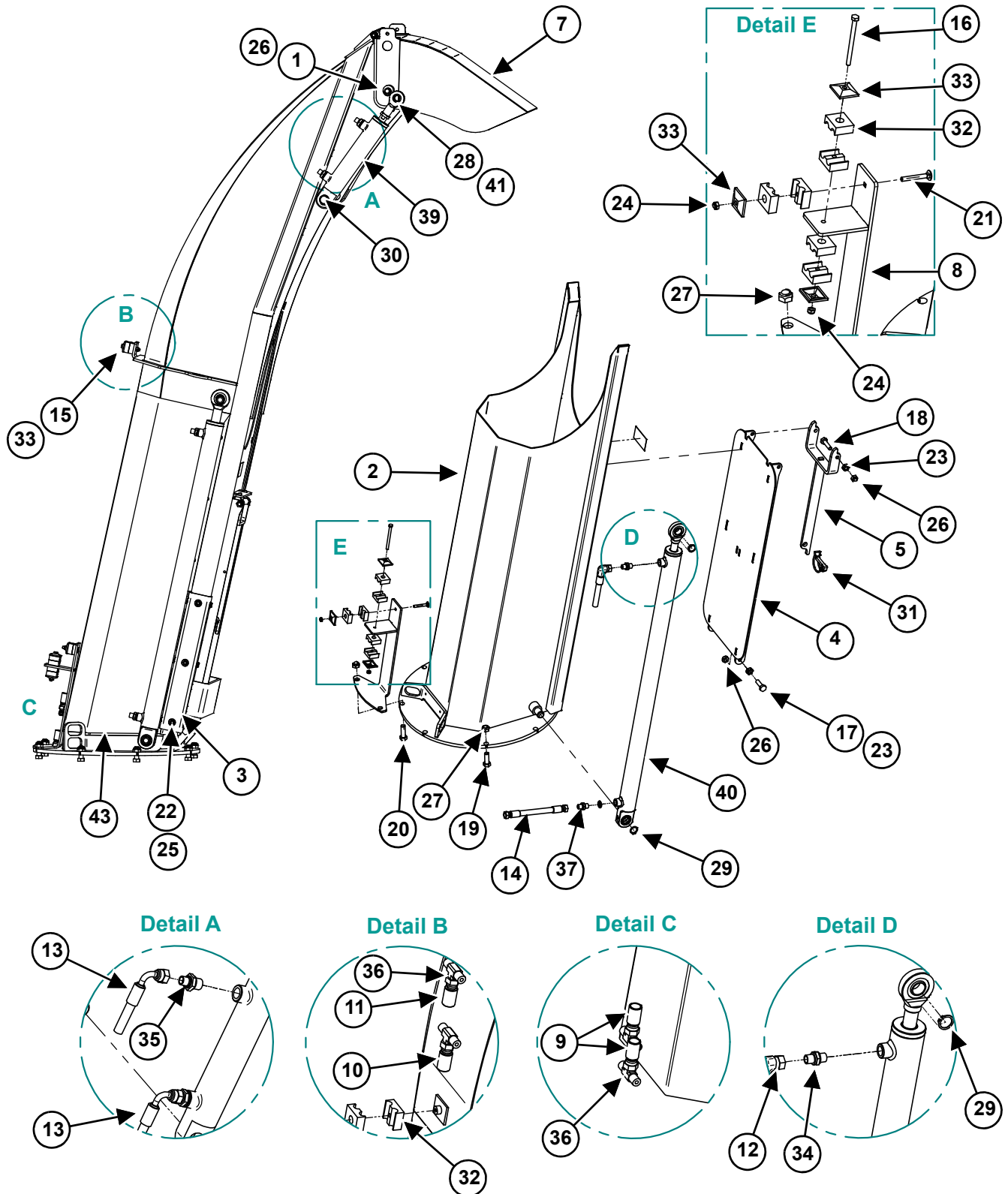
Deluxe Chute, 4-Stage



ITEM	PART #	DESCRIPTION	33-106-P QTY
1	0991-016	Bolt, Hex, M24	2
2	1900-040	Flap 4	1
3	1900-045	Flap 3	1
4	1900-050	Flap 2	1
5	1900-055	Flap 1	1
6	1900-073	Rod	6
7	1900-075	Chute	1
8	1900-079	Sleeve	8
9	1900-080	Chute Attachment	1
10	1900-085	Sleeve	6
11	1900-086	Sleeve	6
12	1900-090	Guard	1
13	1900-140	Sleeve	2
14	1900-208	Hose, Hydraulic	2
15	1900-210	Hose, Hydraulic	2
16	1900-212	Hose, Hydraulic	2
17	F102-06045	Bolt, Hex, M6 x 45	3
18	F102-06050	Bolt, Hex, M6 x 50	1
19	F102-12030	Bolt, Hex, M12 x 30	2
20	F102-12035	Bolt, Hex, M12 x 35	7
21	F102-12045	Bolt, Hex, M12 x 45	8
22	1000154	Bolt, Hex, M16 x 45	2
24	F112-10035	Bolt, Carriage, M10 x 35 - 8.8	6
25	F112-12035	Bolt, Carriage, M12 x 35 - 8.8	2
26	F312-06	Nut, Lock, M6	1
27	F312-10	Nut, Lock, M10	6
28	F312-12	Nut, Lock, M12	28
29	F312-16	Nut, Lock, M16	4
30	F402-13	Washer, Seating, 13 DIN125	26
31	F410-10	Washer, Seating, 10 DIN9021	6
32	F430-20	Retaining Ring, A-20 x 1.2	4
33	F611-027	Clamp, Double	4
34	F611-028	Clamp, Double, Upper Plate	4
35	P81053	Fitting, Adapter, #6MJIC-16 METRIC	4
36	P81052	Fitting, Elbow, #6MJIC-16 METRIC	1
37	P81045	Fitting, Tee, Union	2
39	H05-016	Cylinder, Hydraulic	2
40	K09-019	Fastener	2
NS	1900-901	Dogbone, Chute, Holdup	2

AlphaBlower (Both Models) (Cont'd)

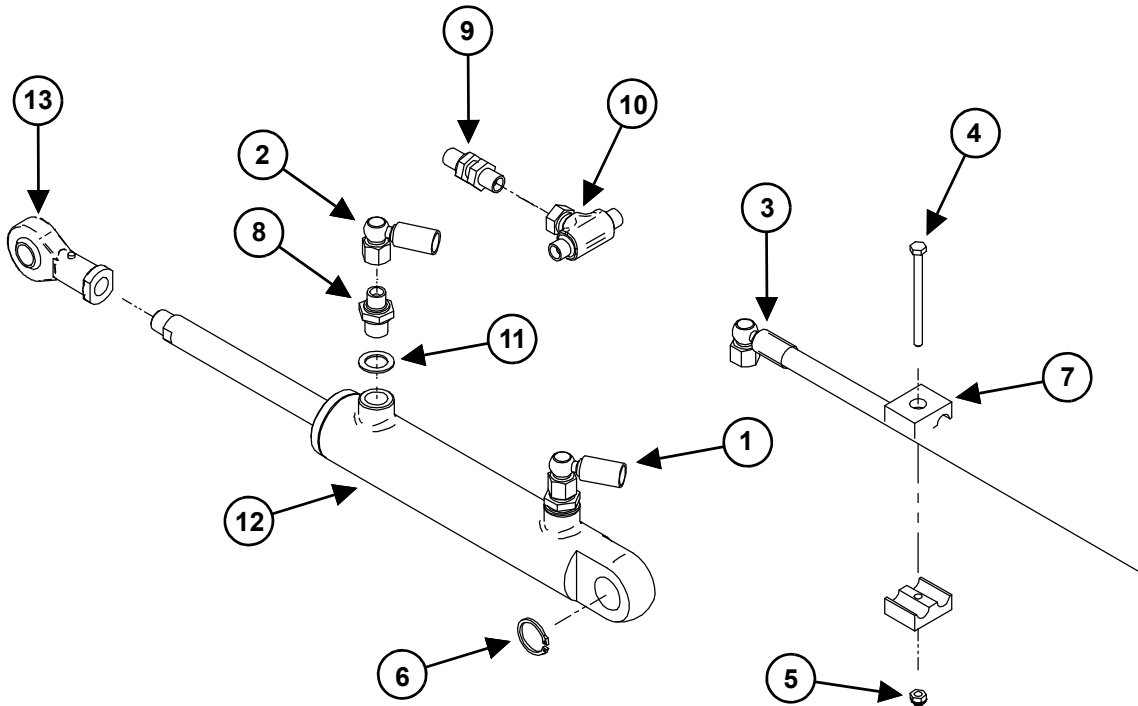
Chute, Telescopic



ITEM	PART #	DESCRIPTION	QTY
1	0994-003	Bolt	1
2	0994-020	Loading Section, Lower	1
3	0994-040	Bracket, Sliding	6
4	0994-050	Hatch	1
5	0994-060	Arm, Locking	1
6	0994-100	Loading Section, Upper	1
7	0994-150	Deflector, Adjustable	1
8	0994-160	Bracket	1
9	P81061	Hose, 1/4 x 118", 4800PSI, #4FJIC-#4FJIC	2
10	P81060	HOSE, 1/4 x 176", 4800PSI, #4FJIC-#4FJIC	1
11	P81059	HOSE, 1/4 x 183", 4800PSI, #4FJIC-#4FJIC	1
12	P81056	HOSE, 1/4 x 48", 4800PSI, #4FJIC-#4FJIC	2
13	P81055	HOSE, 1/4 x 33", 4800PSI, #4FJIC-#4FJIC	4
14	P81057	HOSE, 1/4 x 15-1/4", 4800PSI, #4FJIC-#4FJIC	2
15	F102-06040	Bolt, Hex, M6 x 40	1
16	F102-06080	Bolt, Hex, M6 x 90	1
17	F102-10035	Bolt, Hex, M10 x 35	6
18	F102-10040	Bolt, Hex, M10 x 40	2
19	F102-12035	Bolt, Hex, M12 x 35	1
20	F102-12040	Bolt, Hex, M12 x 40	2
21	F111-06045	Bolt, Carriage, M6 x 45	1
22	F173-08016	Screw, Flat, Int. Hex	18
23	F302-10	Nut, Lock, M10	4
24	F312-06	Nut, Lock, M6	2
25	F312-08	Nut, Lock, M8	18
26	F312-10	Nut, Lock, M10	6
27	F312-12	Nut, Lock, M12	8
28	F430-16	Retaining Ring	2
29	F430-20	Retaining Ring	4
30	F430-25	Retaining Ring	2
31	F471-12	Clip	1
32	F611-027	Clamp, Double	8
33	F611-028	Clamp, Double, Upper Plate	4
34	P81065	Fitting, Adapter, #4MJIC-#4MBP (3820-04-04)	4
35	P81052	Fitting, Elbow, #6MJIC-16METRIC	4
36	G01-103	Fitting, Tee, 90 Deg. 1/4" BSP/BSPT/BSP	4
37	P81064	Fitting, Elbow, #4MJIC-#4MBPP (3801-04-04)	4
39	H05-011	Cylinder, Hydraulic	2
40	H05-021	Cylinder	2
41	K05-008	Rod Eye	2

AlphaBlower (Both Models) (Cont'd)

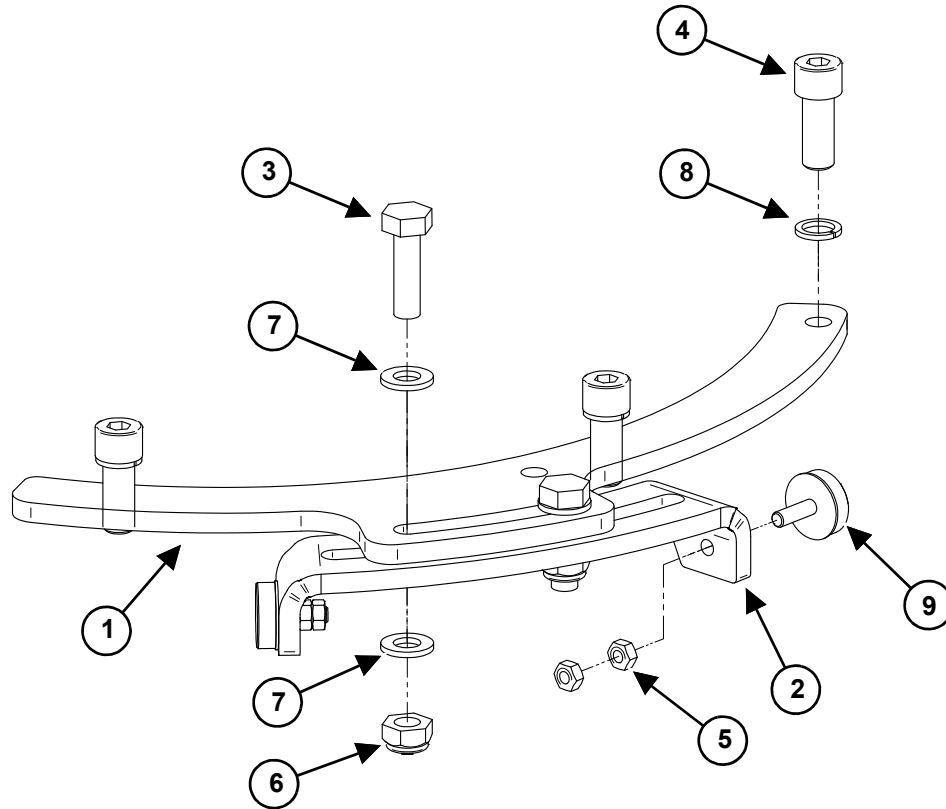
Chute, Hydraulic Tilt



ITEM	PART #	DESCRIPTION	33-106-P QTY
1	1900-200	Hose, Hydraulic	2
2	1900-205	Hose, Hydraulic	2
3	1900-206	Hose, Hydraulic	2
4	F102-06080	Bolt, Hex	1
5	F312-06	Nut, Locking	1
6	F430-16	Retaining Ring	2
7	F611-027	Clamp, Double	1
8	G01-076	Fitting	4
9	G01-080	Fitting	2
10	G01-091	Fitting, Tee	2
11	G50-062	Gasket, Steel / Rubber	4
12	H05-011	Cylinder, Hydraulic	2
13	K05-008	Piston, Rod End	2

AlphaBlower (Both Models) (Cont'd)

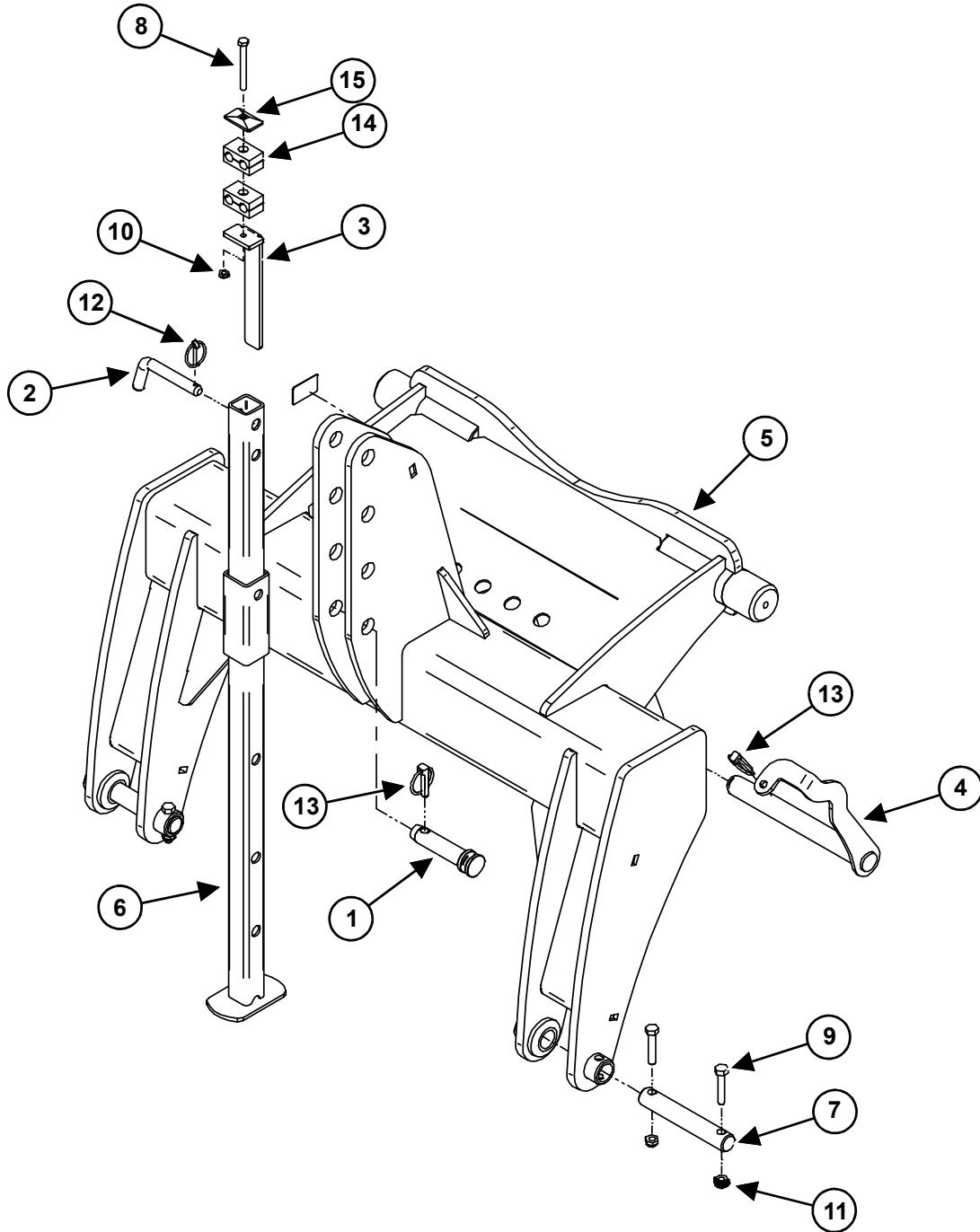
Chute, Swivel Stopper



ITEM	PART #	DESCRIPTION	QTY
1	0984-551	Bracket	1
2	0984-552	Bracket	1
3	F102-10035	Bolt, Hex, M10 x 35	2
4	F169-12030	Bolt, Socket Head, M12 x 30	3
5	F302-06	Nut, Hex, M6	4
6	F312-10	Nut, Locking, M10	2
7	F402-10	Washer, Seating, 10.5 DIN125	4
8	F420-12	Washer, Seating, B12	3
9	K08-023	Rubber Damper	2

AlphaBlower (Both Models) (Cont'd)

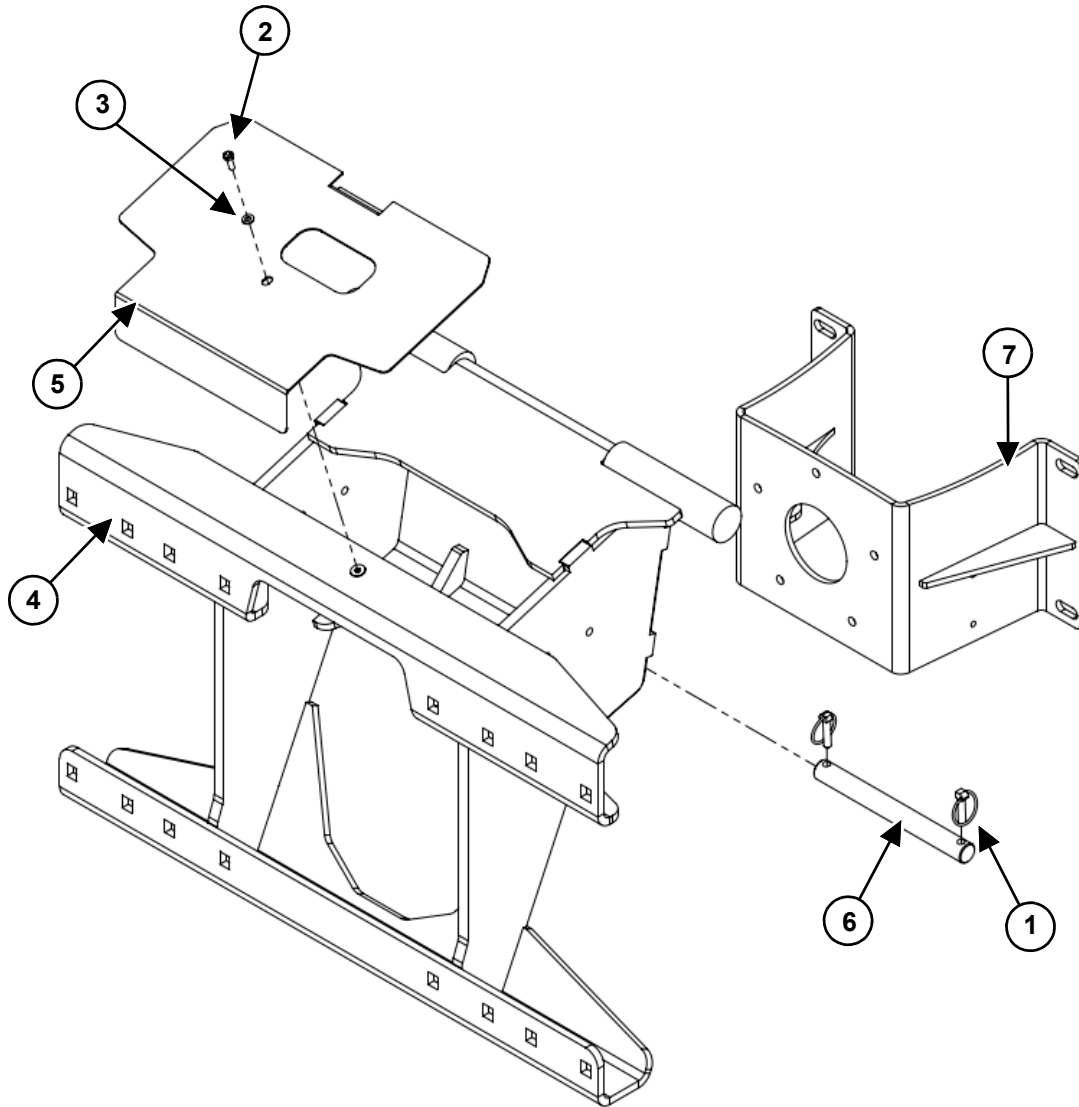
Three-Point, Connection Frame



ITEM	PART #	DESCRIPTION	QTY
1	0859	Bolt, Top Link Cat. 2	1
2	1290-095	Bolt, Support Jack	1
3	2011-098	Bracket	1
4	2012-440	Coupling Pin	1
5	2014-400C	Connection Frame, 3-Point, Welded	1
6	2014-420	Support, Jack	1
7	2110-020	Pin, (3 point frame, bottom, rear)	2
8	F102-08080	Bolt, Hex, M8 x 80	1
9	F102-10055	Bolt, Hex, M10 x 55	4
10	F312-08	Nut, Locking, M8	1
11	F312-10	Nut, Locking, M10	4
12	F470-05	Pin, Ring 5 NS 555	1
13	F470-10	Pin, Ring 10 NS 555	2
14	F611-012	Clamp, Double	2
15	F611-013	Clamp, Double, Upper Plate	1

AlphaBlower (Both Models) (Cont'd)

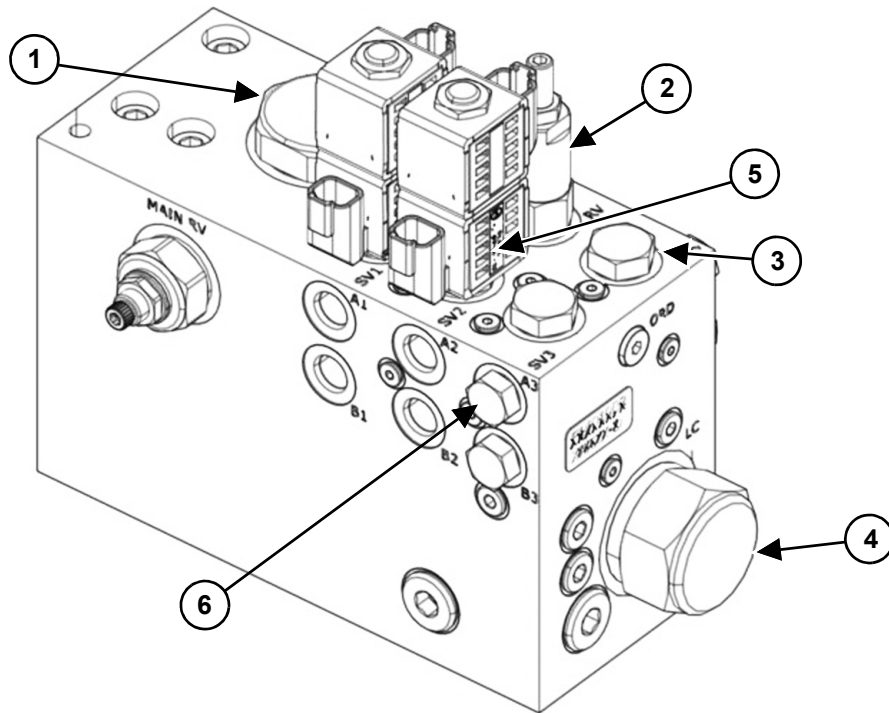
Blower Mount Assembly



ITEM	PART #	DESCRIPTION	QTY
1	P50021	Pin, Linch, Sideplate	2
2	P60043	Bolt, Hex, 5/16-18 x 1" Zinc, Grade 5	1
3	P60092	Washer, Flat, 5/16" SAE	1
4	P91500	Blower Mount	1
5	P91501	Blower Guard	1
6	P91503	Blower Mount Pin	1
7	2013-HY02	Bracket, Motor Mount	1

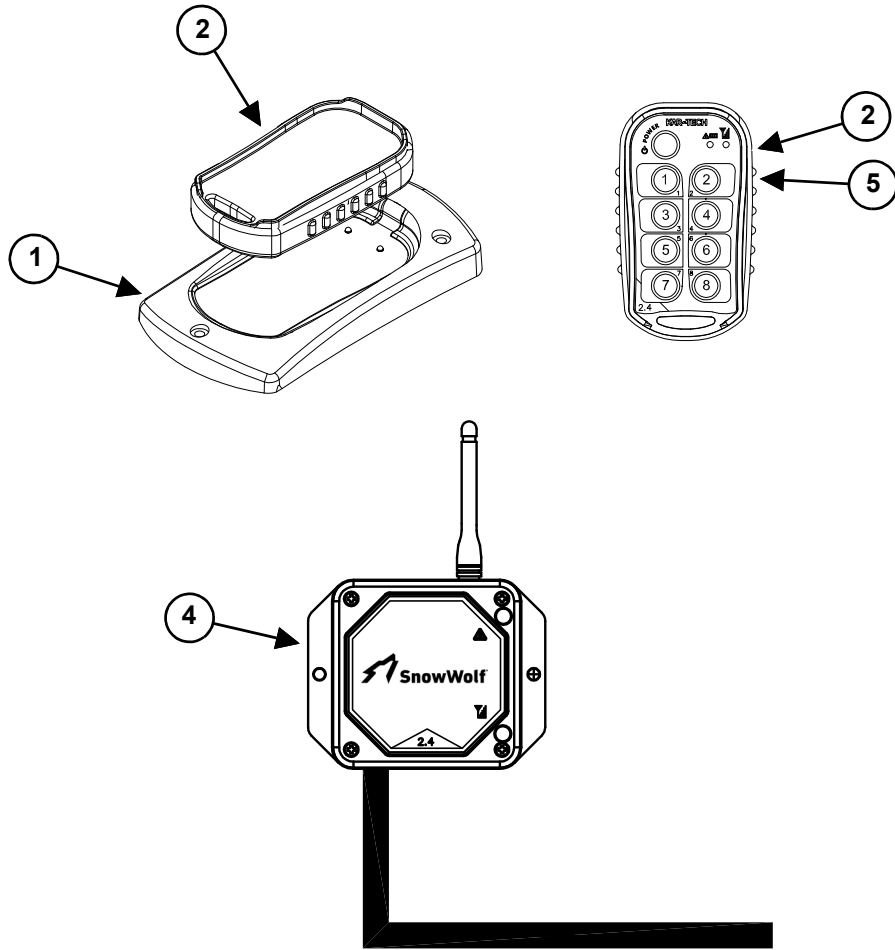
AlphaBlower (Model 33-100-H)

Hydraulic Manifold, Motor



ITEM	PART #	DESCRIPTION	QTY
	P30118	Manifold Assembly with Fittings (Includes Items 1-8)	
1	P38232	Cartridge, Check Valve	1
2	P38229	Cartridge, Relief Valve Differential 100-1500 PSI	1
3	N/A	Plug, SAE-8 Hex Head	2
4	P38228	Spool Valve, (Torque to 70 FT. LBS)	1
5	P38235	Coil and Solenoid Cartridge Kit	2
6	N/A	Plug, SAE-6, Hex Head	4
NS	N/A	O-Ring, BUNA N 90 DURO -219	2
NS	1000180	Hydraulic Motor Assembly	1
NS	P30116	Coupler, Female, High Press VEP17 HD 1" SAE	1
NS	P30117	Coupler, Male, High Press VEP17 HD 1" SAE	1

Wireless Controls



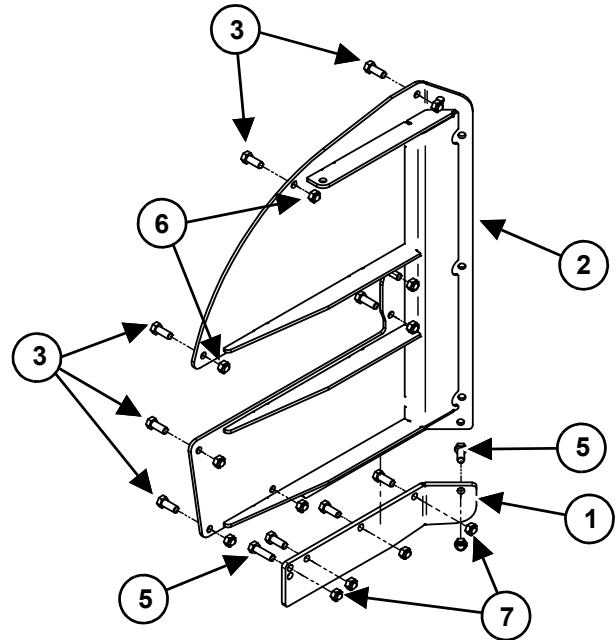
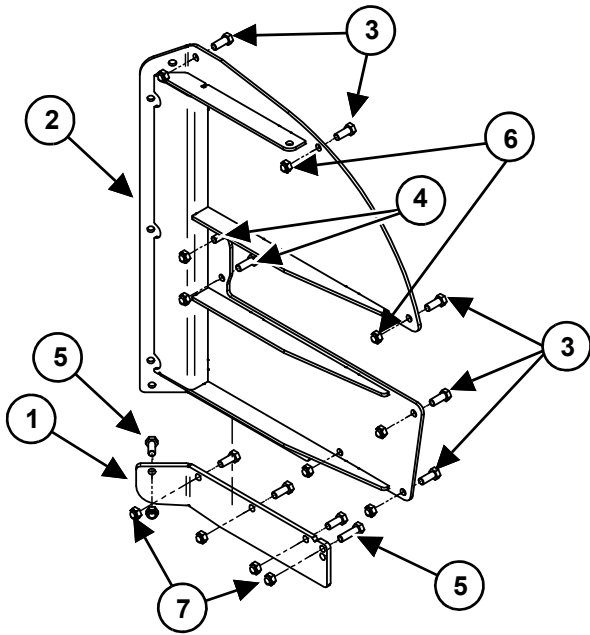
ITEM	PART #	DESCRIPTION	QTY
	P81210	Wireless Controls Kit (Includes Items 1-5)	1
1	P81017	Magnetic Charger Pad	1
2	P81015	Transmitter, 8 Button	1
3	P31231	Power Harness, Blower Side, 96"	1
4	P81016	Receiver	1
5	P81018	Decal, Overlay, Snowblower	1
NS	P31226	Power Harness, Machine Side, 384"	1

Decal Identification (Both Models)

PART #	DESCRIPTION	QTY
DC121	Decal, PTO 1000 RPM	1
DC122	Decal, PTO 540 RPM	1
DC120	Decal, Oil	2
DC119	Decal, Grease Point	4
DC125	Decal, Caution Hydraulics	1
DC124	Decal, Read Manual	1
DC126	Decal, Stay Clear	1
DC123	Decal, Crush Hazard	2
DC127	Decal, 3 in 1 Warning	1
DC28	Decal, SnowWolf	1
DC29	Decal, Wolhead	1
SWSN	Decal, Serial #	1
DC115	33-100-H	1
DC116	33-100-P	1

Options (Both Models)

Side Panels

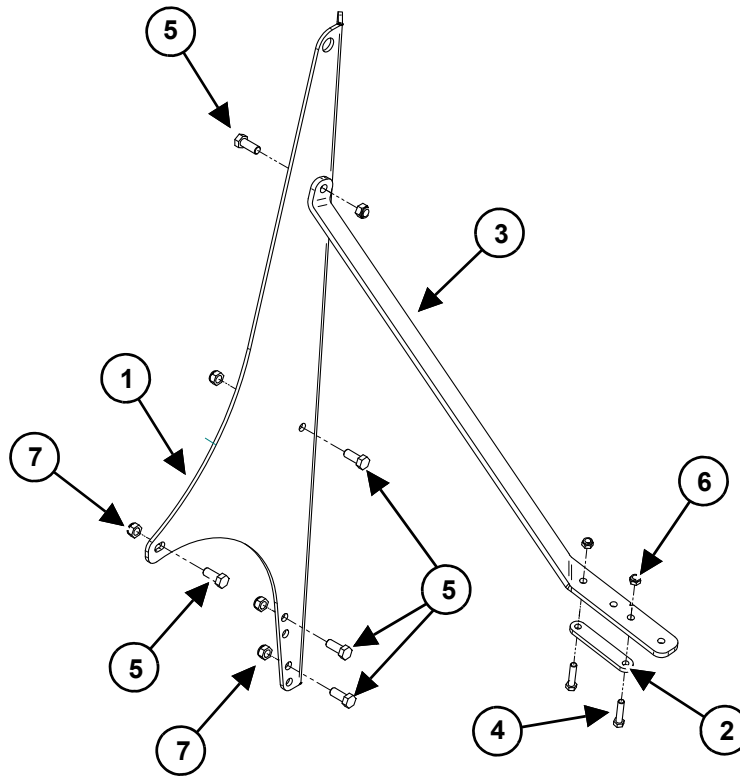


ITEM	PART #	DESCRIPTION	QTY
1	2011-270H	Cutting Edge, Right, w/ HW	1
	2011-270V	Cutting Edge, Left, w/ HW	1
2	2013-260H	Plate, Right Side	1
	2013-260V	Plate, Left Side	1
3	F102-16040	Bolt, Hex, M16 x 40	12
4	1000154	Bolt, Hex, M16 x 45	2
5	1001254	Bolt, Hex, 5/8"-11 x 2-1/4", Grade 8	10
6	F312-16	Nut, Locking, M16	14
7	P40012	Nut, Lock, 5/8"-11, Zinc, Grade C	10

NOTE: For Cutting Edge Kits See "AlphaBlower (Both Models) (Cont'd)" on page 6.

Options (Both Models) (Cont'd)

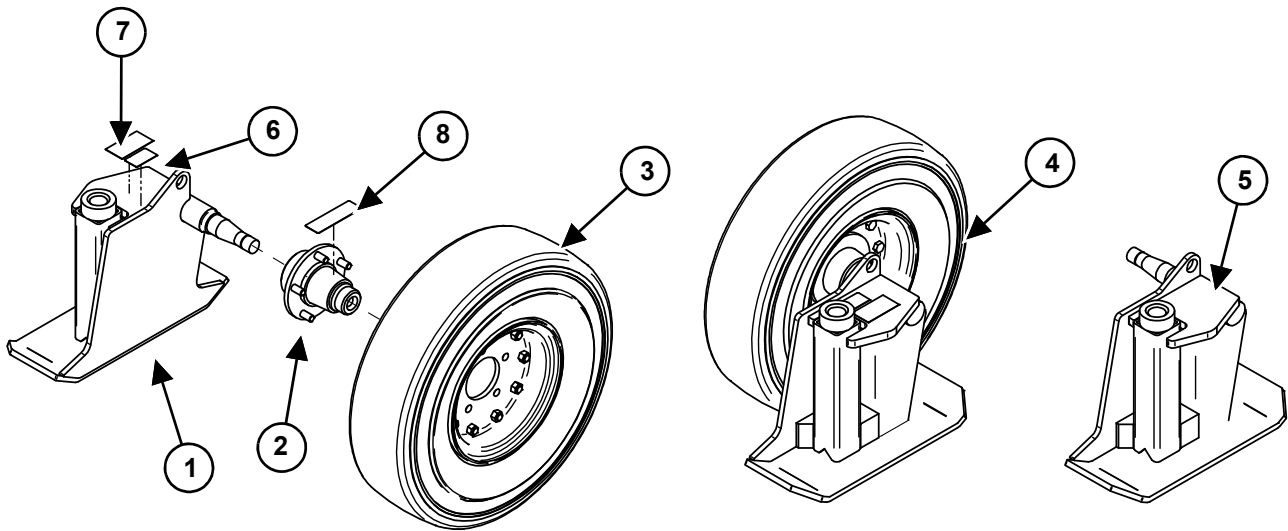
Drift Cutter



ITEM	PART #	DESCRIPTION	QTY
1	2011-561V	Drift Cutter, Top, Plate, Left	1
NS	2011-561H	Drift Cutter, Top, Plate, Right	1
2	2011-564	Bracket	1
3	2011-565V	Supporting Rod, Left	1
NS	2011-565H	Supporting Rod, Right	1
4	F102-12055	Bolt, Hex, M12 x55	2
5	F102-16040	Bolt, Hex, M16 x 40	5
6	F312-12	Nut, Locking, M12	2
7	F312-16	Nut, Locking, M16	5
Optional			
NS	2011-560H	Drift Cutter, Top, Plate, Right	1
NS	2011-560V	Drift Cutter, Top, Plate, Left	1

Options (Both Models) (Cont'd)

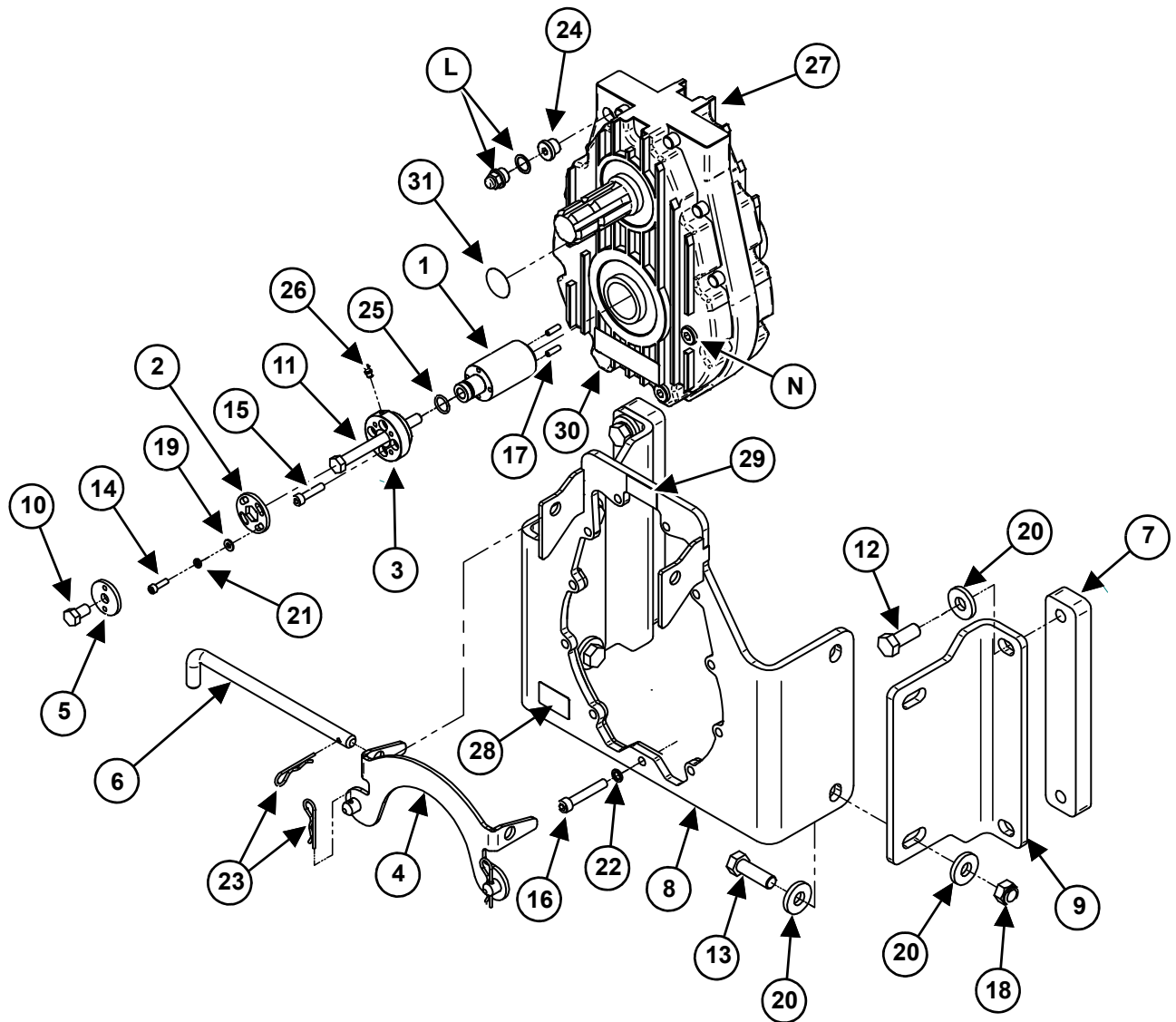
Gauge Wheels (Foam Filled)



ITEM	PART #	DESCRIPTION	QTY
	2012-550	Gauge Wheels. Set with 2 Wheels - 1 x 2012-550H - 1 x 2012-550V	
1-6	2012-550V	Gauge Wheel, Left	1
1	2012-560V	Wheel Bracket, Left	1
2	K07-034	Axle No. 21	1
3	K07-039	Wheel 6.00 x 9" PR10, Truck Wheel	1
4	2012-550H	Gauge Wheel, Right, (includes items 2, 3, 6, 7 & 8)	1
5	2012-560H	Wheel Bracket, Right	1
6	R91-036L	Product Label	1
7	R91-164	Decal, "Caution Split Rim"	1
8	R91-221	Decal, "Important! Air Pressure"	1
NS	K07-03401	Axle Cup	1

Options (Model 33-100-P)

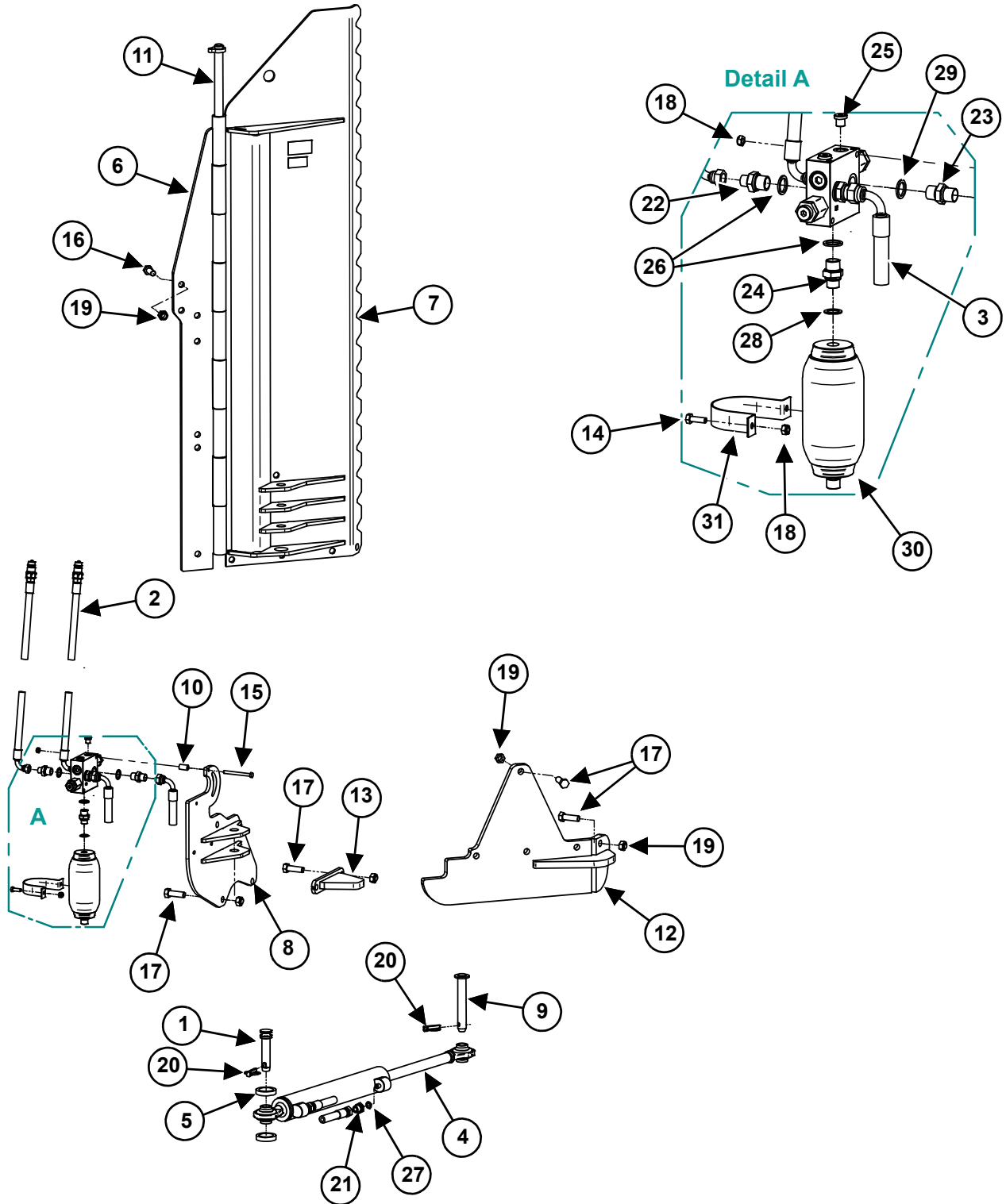
Gearbox, Front Mounting



ITEM	PART #	DESCRIPTION	QTY
1	2012-612	Locking Sleeve	1
2	2012-613	Washer, Lock	1
3	2012-614	Locking Flange	1
4	2012-615	Axle Guard Fixture	1
5	2012-617	Drilling Template	1
6	2012-620	Safety Bolt	1
7	2014-164	Bracket	2
8	2014-840	Bracket, Gear Box	1
9	2014-845	Plate, Support	2
10	F102-12020	Bolt, Hex, M12 x 20	1
11	F102-12130	Bolt, Hex, M12 x 130	1
12	F102-16040	Bolt, Hex, M16 x 40	4
13	P60241	Bolt, Hex, 5/8"-11 x 2" ZN, GR5	4
14	F169-06020	Bolt, Socket Head, M6 x 20	4
15	F169-08035	Bolt, Socket Head, M8 x 35	4
16	F169-10060	Bolt, Socket Head, M10 x 60	11
17	F179-06020	Screw, Set, M6 x 20	2
18	P60030	Nut, Hex, Nylock, 5/8"-11, ZN, GR 5	4
19	F402-06	Washer, Seating, 6.5 DIN125	4
20	SW-700034	Washer, Flat, 5/8" SAE, ZN, GR5	12
21	F420-06	Washer, Spring, B6	4
22	F420-10	Washer, Spring, B10	11
23	F460-03	Pin, Spring	3
24	G01-108	Plug, M18 x 1,5 w/ Gasket	1
25	G51-1701	O-Ring, 17.86 x 2.62	1
26	K99-022	Zerk, Grease Straight	1
27	L30-023	Gear Box	1
28	R91-036L	Product Label	1
29	R91-037e	Decal, 1000 RPM	1
30	R91-093	Decal, Oil Refill	1
31	R91-125	Decal, Lubrication	1
NS	L01-125	PTO Shaft	1
NS	R91-171	Decal, Mount Airing Plug	1
-	R04-0022	Gear Oil	0.24 gal
L	L30-020270	Plug, Airing (Included in L30-023 Gear Box)	1
N	-	Plug, Level (Included in L30-023 Gear Box)	1

Options (Cont'd)

Wing Kit



ITEM	PART #	DESCRIPTION	QTY
1	0859	Pin, Wing (Base End)	1
2	0995-464M	Hydraulic Hose 3/8" x 4000 R/V	2
3	1252-289	Hydraulic Hose 1/2" x 750 R/V	2
4	1292-AC	Hydraulic Cylinder	1
5	2013-701	Shims	2
6	2013-710	Wing, Rear	1
7	2013-720	Wing, Front	1
8	2013-730	Cylinder Bracket	1
9	2013-735	Pin, Wing (Rod End)	1
10	2013-745	Sleeve	2
11	2013-750	Pin, Wing (Wing Hinge)	1
12	2013-760	Cutting Edge (Wing Bottom)	1
13	2013-770	Stopper	1
14	F102-08025	Bolt, Hex, M8 x 25	2
15	F102-08090	Bolt, Hex, M8 x 90	2
16	F102-16040	Bolt, Hex, M16 x 40	4
17	F102-16050	Bolt, Hex, M16 x 50	10
18	F312-08	Nut, Locking, M8	4
19	F312-16	Nut, Locking, M16	14
20	F470-10	Ring Pin, 10 NS 555	2
21	G01-007	Fitting, Transition, 1/2" R-1/4" R Innv.	2
22	G01-008	Fitting, Transition, 3/8" R-1/2" R	2
23	G01-012	Fitting, Hexagon, 1/2" R	2
24	G01-066	Fitting, Transition, M18 x 1,5-1/2" R	1
25	G01-079	Plug 1/4" BSP w/ Flange And Gasket	2
26	G50-052	Steel / Rubber Gasket For 1/2" BSP	5
27	G50-056	Steel / Rubber Gasket For 1/4" BSP	2
28	G50-065	Steel / Rubber Gasket For M18	1
29	H02-079	Pressure Relief Valve 1/2"	1
30	H05-005	Accumulator 0.7 Litre	1
31	H05-020	Clamp	1





8415 220th Street West, Suite K • Lakeville, MN 55044
1-800-905-2265 / snowwolfplows.com