



SnowWolf

Operation & Maintenance Manual



AlphaBlower

Model 36-106-P



REMEMBER: Register your product! No claims for warranty shall be considered unless your product registration card is completed online within 30 days of purchase. Go to: snowwolfplows.com/registration.

MANUFACTURER'S WARRANTY

One-Year Limited Warranty

SNOWWOLF International, hereinafter referred to as SNOWWOLF, warrants new SNOWWOLF SNOW BLOWERS at the time of delivery to the original purchaser, to be free from defects in material and workmanship when properly set up and operated in accordance with the recommendations set forth by SNOWWOLF.

SNOWWOLF'S liability for any defect with respect to accepted goods shall be limited to repairing the goods at a SNOWWOLF designated location or at an authorized dealer location, or replacing them as SNOWWOLF shall elect. The above shall be in accordance with SNOWWOLF warranty adjustment policies. SNOWWOLF'S obligation shall terminate twelve (12) months after the delivery of the goods to original purchaser including cutting edge breakage or wear. This warranty shall not apply to any machine or attachment which shall have been repaired or altered outside the SNOWWOLF factory or authorized SNOWWOLF dealership or in any way so as in SNOWWOLF'S judgment, to affect its stability or reliability, nor which has been subject to misuse, negligence or accident beyond the Company recommended machine rated capacity.

Warranty Claim

To submit a warranty claim, a return authorization from SNOWWOLF must be obtained. The failed part may then be returned. Tampering with the failed part may void the warranty. This warranty does not include freight or delivery charges incurred when returning machinery for servicing. Dealer mileage, service calls, and pickup/delivery charges are the customers' responsibility.

Exclusions of Warranty

Except as otherwise expressly stated herein, SNOWWOLF makes no representation or warranty of any kind, expressed or implied, AND MAKES NO WARRANTY OF MERCHANTABILITY IN RESPECT TO ITS MACHINERY AND/OR ATTACHMENTS ARE FIT FOR ANY PARTICULAR PURPOSE. SNOWWOLF shall not be liable for incidental or consequential damages for any breach of warranty, including but not limited to inconvenience, rental of replacement equipment, loss of profits or other commercial loss. Upon purchase, the buyer assumes all liability for all personal injury and property resulting from the handling, possession, or use of the goods by the buyer.

No agent, employee, or representative of SNOWWOLF has any authority to bind SNOWWOLF to any affirmation, representation or warranty concerning its machinery and/or attachments except as specifically set forth herein.

This warranty policy supersedes any previous documents.

No claims for warranty shall be considered unless warranty registration is sent to SNOWWOLF within 30 days of purchase!

Manufactured By:



8415 220th Street West, Suite K
Lakeville, MN 55044
www.snowwolfplows.com

Introduction	3
Owner Information	3
Serial Number Location	3
AlphaBlower Identification	4
Safety	5
Safety Information	5
Safe Operation Needs A Qualified Operator	5
Importance of Safety	6
Operation	9
General Information	9
Pre-Operation Inspection	9
Snow Blower Operating Tips	9
AlphaBlower Inspection	10
Daily Inspection	10
Monthly Inspection	10
Tractor Requirements	11
PTO Revolutions	11
Entering and Exiting the Tractor	11
Entering The Operator’s Position	11
Exiting The Operator’s Position	11
AlphaBlower Installation	12
Connecting The Snow Blower To The Tractor’s Three-Point Hitch	12
PTO Installation	13
PTO Shaft Angle	14
AlphaBlower Adjustment	15
Hydraulic Couplers	17
Checking AlphaBlower Operation	17
Operating The AlphaBlower	19
Operation	19
Clearing a Plugged AlphaBlower	20
AlphaBlower Removal	21
Maintenance	23
Maintenance Safety	23
General Maintenance	24
AlphaBlower Maintenance	25
Maintenance Schedule	26
Lubrication	27
Auger Axle Couplings	29
Cutout Clutch	29

Hydraulic Hoses	29
Cutting Edge Replacement	29
AlphaBlower Disassembly	30
AlphaBlower Assembly	31
Auger Axle Installation	31
Troubleshooting	31
Storage And Return To Service	32
Storage	32
Return to Service	32
Specifications	33
AlphaBlower Specifications	33
Torque Specifications	34



Owner Information

Thank you for your decision to purchase a SnowWolf AlphaBlower. To ensure maximum performance of your equipment, it is mandatory that you thoroughly study the Operator’s Manual and follow the recommendations. Proper operation and maintenance are essential to maximize equipment life and prevent personal injury.

Operate and maintain this equipment in a safe manner and in accordance with all applicable local, state, and federal codes, regulations and / or laws. Follow all on-product labeling and instructions.

Make sure that all personnel have read this Operator’s Manual and thoroughly understand safe and correct operating, installation, and maintenance procedures.

SnowWolf is continually working to improve its products. SnowWolf reserves the right to make any improvements or changes as deemed practical and possible without incurring any responsibility or obligation to make any changes or additions to equipment sold previously.

Although great care has been taken to ensure the accuracy of this publication, SnowWolf makes no warranty or guarantee of any kind, written or expressed, implied or otherwise with regard to the information contained within this manual. SnowWolf assumes no responsibility for any errors that may appear in this manual and shall not be liable under any circumstances for incidental, consequential or punitive damages in connection with, or arising from the use of this manual.

Keep this manual available for frequent reference. All new operators or owners must review the manual before using the equipment and annually thereafter. Contact your SnowWolf Attachments Dealer for assistance, information, or additional copies of the manual. Contact www.snowwolfplows.com or call 1-800-905-2265 for a complete list of dealers in your area.

Serial Number Location

Please record the AlphaBlower information in the space provided for future reference.

Model Number: _____

Serial Number: _____

Dealer Name: _____

Dealer Number: _____

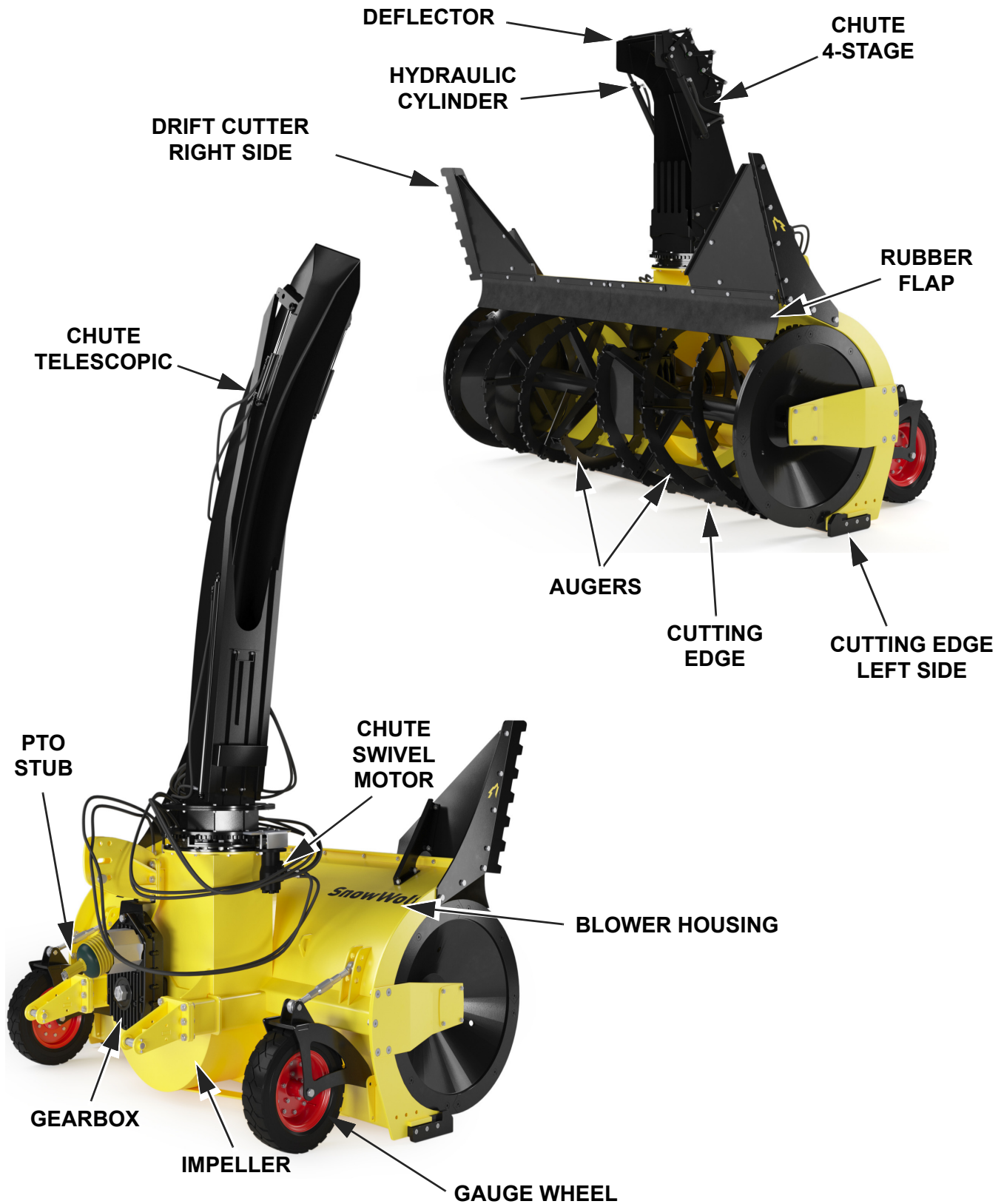
Date of Purchase: _____

Always use the serial number of the AlphaBlower when requesting service information or when ordering parts. Early or later models (identification made by serial number) may use different parts, or may require a different procedure in doing a specific service operation.

NOTE: This document and the information provided are the property of SnowWolf and may only be used as authorized by SnowWolf.

The AlphaBlower serial number plate is located on the left side of the frame, below the discharge chute.

AlphaBlower Identification



Safety Information



Safety Alert Symbol

This SAFETY ALERT SYMBOL identifies important safety messages on the equipment and in the owner's manual. When you see this symbol, be alert to the possibility of personal injury and carefully read the message that follows.



DANGER

The signal word DANGER on the machine and in the manuals indicates a hazardous situation which, if not avoided, will result in death or serious injury.



WARNING

The signal word WARNING on the machine and in the manuals indicates a potentially hazardous situation which, if not avoided, could result in death or serious injury.



CAUTION

The signal word CAUTION on the machine and in the manuals indicates a potentially hazardous situation which, if not avoided, may result in minor or moderate injury. It may also be used to alert against unsafe practices.



IMPORTANT

The signal word IMPORTANT identifies procedures which must be followed to avoid damage to the machine.

Safe Operation Needs A Qualified Operator



WARNING

AVOID SERIOUS INJURY OR DEATH

Operators must receive instructions before operating the machine. Untrained operators can cause serious injury or death.

For an operator to be qualified, he or she must not use drugs or alcoholic drinks which impair alertness or coordination while working. An operator who is taking prescription drugs must get medical advice to determine if he or she can safely operate a machine and the equipment.

Owner's Responsibility

Operate and maintain this machine in a safe manner and in accordance with all applicable local, state, and federal codes, regulations and/or laws; and in compliance with on-product labeling and this owner's manual instructions.

Make sure that all personnel have read this owner's manual, and thoroughly understand safe and correct installation, operation, and maintenance procedures.

Give operating instructions to the operators before allowing them to operate the equipment, and at least annually thereafter.

Importance of Safety

Operating Safety

- Read and follow instructions in this manual and the tractor's Operator's Manual before operating.
- Operator must have instructions before operating the equipment. Untrained operators can cause injury or death.
- Be certain all equipment operators are aware of the dangers indicated by safety decals applied to the snow blower, and be certain they follow all safety decal instructions. Contact your authorized Distributor, Dealer Parts Department, or SnowWolf for safety decal replacement.
- Operate the snow blower according to the Operator's Manual.
- The snow blower is intended for use in snow removal. Use in any other manner is considered to be contrary to the intended use of the snow blower.
- In addition to the design and configuration of equipment, hazard control and accident prevention are dependent upon the awareness, concern, prudence, and proper training of personnel involved in the operation, transport, maintenance, and storage of equipment.
- Under no circumstances should young children be allowed to work with this equipment.
- The snow blower is dangerous to persons unfamiliar with its operation.
- Check for overhead power lines before operating snow blower (if applicable).
- Check that the snow blower is securely fastened to the tractor.
- Make sure all the tractor controls are in NEUTRAL before starting the snow blower.
- When learning to operate the equipment, do it at a slow rate in an area clear of bystanders.
- DO NOT permit personnel to be in the work area when operating the snow blower. Snow, ice, rocks, or debris can be thrown from the blower, causing injury to persons, cars, buildings, or other objects.
- Rotating PTO shaft, augers, and the impeller can cause serious personal injury or death, make sure no-one is in the work area when operating the blower.
- The snow blower must be used ONLY on approved machines.
- Always stop the snow blower if any persons enter the work area.
- DO NOT modify the snow blower in any way. Unauthorized modification may impair the function and / or safety and could affect the life of the snow blower.
- DO NOT make any adjustments or repairs on the snow blower while the tractor is running.
- Keep shields and guards in place. Replace if damaged.
- Prior to maintenance, repairs, or clearing a plugged blower, the tractor engine must be turned off or the snow blower must be disconnected from the tractor.
- DO NOT operate the snow blower in poor visibility conditions such as fog, darkness, or any conditions that limit clear visibility.
- DO NOT operate in a work area that has not been inspected for foreign debris and obstacles.
- Remove any foreign objects and clearly mark any objects that cannot be removed.
- Wear safety glasses, gloves, hard hat, hearing protection, and other protective clothing when operating or maintaining this equipment.
- Have a first-aid kit available for use should the need arise and train personnel on proper use of the kit.
- SnowWolf cannot anticipate every possible circumstance that may involve a potential hazard. The warnings in this owner's manual are not all inclusive.

Importance of Safety Cont'd

Fire Prevention Safety

- All fuels, most lubricants, and some coolant mixtures are flammable. Flammable fluids that are leaking or spilled onto hot surfaces or onto electrical components can cause a fire.
- Know where fire extinguishers are located and how to use them.

Transporting Safety

- Comply with state and local laws governing highway safety and movement of machinery on public roads.
- Check local laws for all highway lighting and marking requirements.
- Always yield to oncoming traffic and move to the side of the road so any following traffic may pass.
- Never allow riders on either the tractor or snow blower.
- If transporting the snow blower on a truck or trailer, make sure it is properly secured to the transport vehicle.

Hydraulic Safety

- Always disconnect hydraulic connections between the tractor and the snow blower before performing maintenance to the snow blower.
- Always clean fluid spills. Do not use gasoline or diesel fuel for cleaning parts. Use commercial nonflammable solvents.
- Check hydraulic tubes, hoses, and fittings for damage and leakage. Never use open flame or bare skin to check for leaks. Hydraulic tubes and hoses must be properly routed and have adequate support and secure clamps. Tighten or replace any parts that show leakage.

WARNING



Leaking fluids under pressure can enter the skin and cause serious injury or death. Immediate medical attention is required. Wear goggles. Use cardboard to check for leaks.

First Aid Safety

Know where first aid kits are located and how to use them.



General Information

Pre-Operation Inspection

Before operating the snow blower for the first time and each time thereafter, use the following list as a guideline during equipment inspection.

1. Use only a tractor of adequate power and weight to operate the snow blower. (See “Tractor Requirements” on page 11).
2. Check the snow blower and tractor’s three-point mounts for damage, loose, or missing parts. Repair as needed before operation.
3. Lubricate the snow blower, see Lubrication on page 27.
4. Check that the PTO driveline telescopes easily and turns freely.
5. Check that the snow blower is properly attached to the tractor. Be sure retainers are used on the mounting pins.
6. Check that the adjustable gauge wheels are set at the same working depth.
7. Make sure that all guards and shields are in place, secured, and functioning as designed.
8. Check oil level in tractor’s hydraulic reservoir.
9. Check that the hydraulic hoses and couplers are securely attached to the snow blower and to the tractor. Make sure hoses are routed and secured to avoid pinch points or strain during movement of the tractor / snow blower.
10. Check cutting blade for wear or damage.
11. Check hydraulic lines, connections, and fittings for hydraulic oil leaks.

WARNING



Leaking fluids under pressure can enter the skin and cause serious injury or death. Immediate medical attention is required. Wear goggles. Use cardboard to check for leaks.

Snow Blower Operating Tips

- Make sure the snow blower is adjusted properly. (See “AlphaBlower Adjustment” on page 15.)

NOTE: Improper snow blower adjustment will cause increased wear to the gauge wheels.

- Driving speed and gear selection are dependent on the snow conditions and the tractor type. Do not choose too high a gear but make a selection so speed can be kept steady.
- Before disengaging the PTO it is important to wait until the blower has emptied out the snow. If the PTO is disengaged while the blower is full of snow, the chute will likely clog up when the PTO is re-engaged.
- If the blower is frequently used on gravel roads or asphalt, in conditions with little snow, it is recommended to use gauge wheels.
- Adjust throwing distance and the direction of the snow being removed, away from buildings, cars, or other objects to avoid causing damage.
- The chute can be tilted down to remove snow from the impeller housing. Always stop the tractor’s engine before the chute is tilted down.
- Always stop the snow blower before exiting the tractor.

AlphaBlower Inspection

Daily Inspection

NOTE: Inspect the snow blower by performing a walk around daily before and after use. Use the following inspection checklist as a guideline.

Check the following items every 10 hours of operation:

- Verify that the snow blower is properly connected to the tractor.
- Check that all shields and guards are in place.
- Check for damaged or leaking hydraulic hoses or fittings. Replace if necessary.
- Check the cutting edge for wear or damage. Replace if necessary.
- Check that all cotter pins that retain pivot / anchor pins are in place and not damaged or missing.
- Check the snow blower to ensure that all components are secure and that all bolts and nuts are thoroughly tightened.
- Check the snow blower mounting hardware for wear or damage. Inspect the pins and mounts for wear or damage. Repair or replace damaged parts if necessary.
- Check that all bearings turn freely. Replace any that are rough or seized.
- Check that the PTO driveline is securely fasten to the snow blower and to the tractor.
- Check the oil level in the gearbox.

Monthly Inspection

- Inspect the snow blower for cracks, bends, or excessive wear.
- Check gauge wheels for wear and PSI if not foam filled.
- Check that all bolts are tight.
- Check the cutting edge and mounting plate for cracks or damage. Replace if necessary.
- Check the drift cutters for cracks or damage. Replace if necessary.
- Check hydraulic lines, connections, and fittings for hydraulic oil leaks. Repair or replace damaged parts if necessary.
- Check for damaged or missing decals. Replace if necessary.
- Lubricate as required.



WARNING

AVOID SERIOUS INJURY OR DEATH

Before servicing the snow blower:

- **Always park on a flat level surface.**
- **Lower the tractor's three-point hitch and place snow blower flat on the ground.**
- **Place all controls in NEUTRAL.**
- **Engage the park brake.**
- **Stop the engine and remove the key.**
- **Wait for all moving parts to stop.**
- **Exit the tractor.**

SEE TRACTOR'S OPERATOR'S MANUAL FOR ADDITIONAL INFORMATION.

Tractor Requirements

TRACTOR REQUIREMENTS	
Power Input (min/max)	150 - 350 HP
Hitch Type	Cat 2, 3, or 4

PTO Revolutions

NOTE: The 36-106-P snow blower is intended for a PTO operating at 1000 rpm.

	REVERSING	FRONT MOUNT
36-106-P	1000 RPM	1000 RPM

Entering and Exiting the Tractor

Entering The Operator’s Position

Use the tractor’s safety treads, handles, and steps to enter the operator’s position.

When in the operator’s position, fasten the seat belt, start the engine, and release the parking brake.

Exiting The Operator’s Position



AVOID SERIOUS INJURY OR DEATH

Before servicing the snow blower:

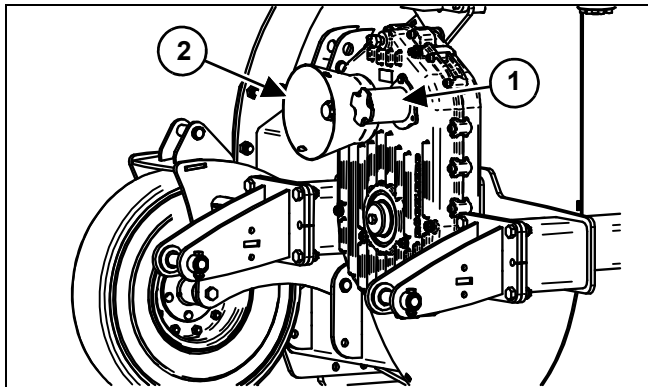
- Always park on a flat level surface.
- Lower the tractor’s three-point hitch and place snow blower flat on the ground.
- Place all controls in NEUTRAL.
- Engage the park brake.
- Stop the engine and remove the key.
- Wait for all moving parts to stop.
- Exit the tractor.

SEE TRACTOR’S OPERATOR’S MANUAL FOR ADDITIONAL INFORMATION.

AlphaBlower Installation

NOTE: Ensure that the PTO shaft guard is always in place, that it is in proper condition, and secured using the supplied chain to prevent rotation during use.

Figure 1

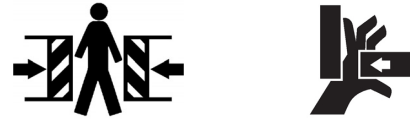


Front Installation - Ensure that the shaft guard (Item 1) [Figure 1] is installed on the PTO stub for reversing (the stub on the right side looking in the drive direction).

Reversing Installation - Replace the PTO stub shaft guard (Item 1) [Figure 1] with the axle guard (Item 2). Pull the axle guard onto the PTO shaft before connecting it.

Connecting The Snow Blower To The Tractor's Three-Point Hitch

 **WARNING**



CRUSH HAZARD

- Before moving the tractor, look in all directions and make sure no bystanders, especially small children, are in the work area. Do not allow anyone between the tractor and snow blower when approaching the snow blower for connecting.
- Keep fingers and hands out of pinch points when connecting and disconnecting snow blower.

Before connecting to the snow blower, inspect the tractor's three-point mounting frame. (See the tractor's Operator's Manual for inspecting the mounting frame).

Enter the operator's position, start the engine, and release the parking brake. (See "Entering The Operator's Position" on page 11.)

Open the tractor's three-point hitch locking levers (if equipped). (See the tractor's operation manual for the correct procedure.)

Move the tractor into position in front of the snow blower.

Move the tractor backwards, aligning the tractor's three-point hitch and snow blower three-point mounts.

When the tractor's three-point hitch is aligned with the snow blower's three-point mounts, raise the tractor's three-point hitch until the snow blower's three-point mount pins are fully seated into the tractor's three-point hitch.

Connecting The Snow Blower To The Tractor's Three-Point Hitch (Cont'd)

NOTE: Tractor hitch type may require a different procedure for pin installation. (See the tractor's operation manual for the correct procedure.)

Exit the operator's position. (See "Exiting The Operator's Position" on page 11.)

Close the tractor's three-point hitch locking levers (if equipped). (See the tractor's operation manual for the correct procedure.)

NOTE: Always use implement mounting pins of adequate size and strength and a retaining pin with a locking device.

Adjust the top link until it aligns with the snow blower's upper mount pin or mounting hole. (See the tractor's operation manual for the correct procedure.)

PTO Installation

Install the PTO shaft from the blower to the tractor.



IMPORTANT

The angle of the PTO should not exceed 20 degrees. Angles greater than 20 degrees result in excessive wear and reduce service life of PTO shafts

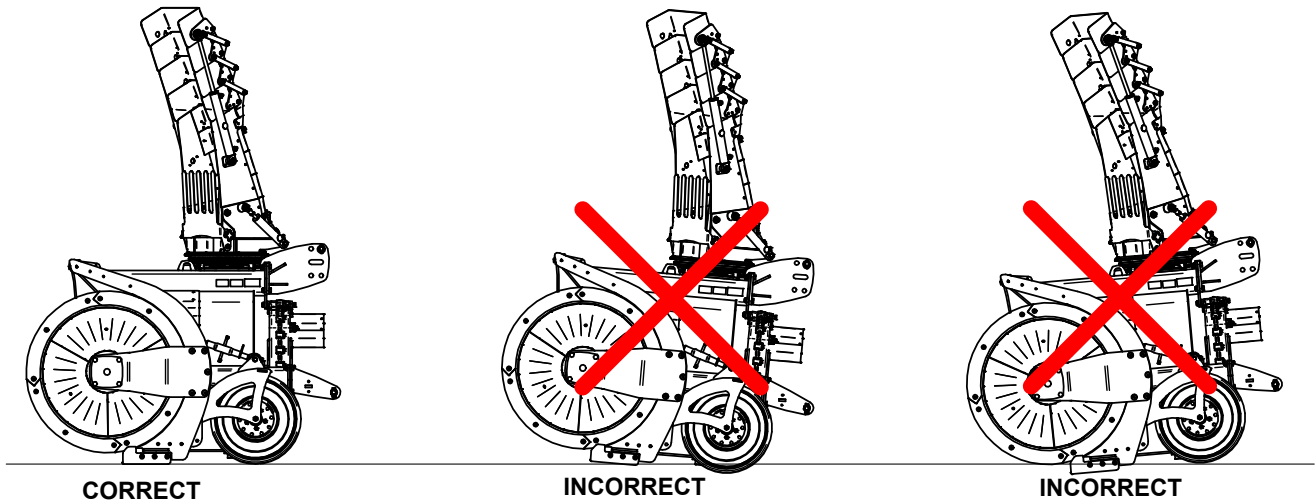
1. If the blower is to be mounted both for front and reversing, the PTO shaft should be adjusted first where the PTO stubs have the shortest spacing. Install the blower on the tractor. Do not install the PTO shaft immediately. First ensure that there is sufficient clearance between the tractor wheel and the wing cutting edges of the blower at all lifting heights, including during active use of top links.
2. Locate the setting (at different lifting heights, including during active use of top links.) at which the PTO stub shafts have the shortest spacing. Pull the PTO shaft apart and insert the prongs on each PTO stub shaft so that the pipes are situated next to each other.
3. Mark the pipe for cutting, calculate at least 4" for end clearance.
4. Verify the longest distance between the PTO stub shafts. If this is in a working position, the telescoping tubes must continue to overlap with half the pipe length.
5. When all of the above has been verified, the axle can be cut. All pipes must be cut in the same way.
6. File all cut edges that could inhibit sliding, clean and lubricate the telescoping tubes using grease.
7. Install the axle and check the adaptation carefully and at all heights and movements.
8. Check if the same shaft can be used for front / reversing. Note that the telescoping tubes should overlap with at least half the pipe length.

AlphaBlower Adjustment



IMPORTANT

The snow blower must be adjusted so that it is level.



For the blower to penetrate all the way down to the asphalt it is very important that the blower is correctly adjusted prior to operation. The blower must be adjusted so that it is level.

NOTE: The blower is adjusted using the length of the top link and the stepless height adjustment for gauge wheels.

Incorrect adjustment of top link or gauge wheels will result in high wear to replaceable edges.

If the top link is shortened the blower will tilt forward. This will result in increased wear to cutting edge at the front of the blower housing.

If the top link is lengthened the blower will be lifted at the front. A larger part of the blower weight will be transferred to the gauge wheels, provided these have been adjusted correctly. This results in less wear to cutting edge.

1. Locate a level surface to adjust the blower.
2. Lift the blower using the tractor hydraulics. Adjust the underside of the gauge wheels to approximately 2" higher than the underside of the scraping steel.
3. Lower the blower onto the surface. Unload the top link so that the top link bolt is completely loose. The blower is now level on the surface and resting on the cutting edge.
4. Adjust gauge wheels so that these are flush with the surface. Then tighten the adjustment screw slightly more so that the gauge wheels are pushed down against the surface.
5. Now adjust the top link outwards a little. The blower will now lift a little at the front. The weight of the blower will now be distributed across cutting edge and gauge wheels.

NOTE: The blower should now be resting on the cutting edge.

AlphaBlower Adjustment (Cont'd)

6. Adjust gauge wheels so that these are flush with the surface. Then tighten the adjustment screw slightly more so that the gauge wheels are pushed down against the surface.
7. Adjust the top link outward slightly. The blower will now lift a little at the front. The weight of the blower will now be distributed across cutting edge and gauge wheels.

NOTE: Lock / pin the tractor's lower three-point lift arms to keep the snow blower from moving side to side during operation. (See the tractor's operation manual for the correct procedure.)

Hydraulic Couplers



IMPORTANT

- Thoroughly clean the quick couplers before making connections. Dirt can quickly damage the hydraulic system.



WARNING

AVOID BURNS

Hydraulic fluid, fluid tubes, fittings, and quick couplers can get hot when running the tractor and snow blower. Be careful when connecting and disconnecting quick couplers.

Connecting Hydraulic Couplers:

Remove any dirt or debris from the surface of both the male and female couplers, and from the outside diameter of the male coupler. Visually check the couplers for corroding, cracking, damage, or excessive wear. If any of these conditions exist, replace the coupler(s).

NOTE: Do NOT hammer on or heat up couplers to connect or disconnect. Doing so will damage couplers resulting in leaks.

Install the snow blower male couplers into the female couplers of the machine. Pull on the coupler connection to verify that the male couplers are securely fastened.

Checking AlphaBlower Operation

NOTE: After installing the snow blower, test all functions before operating the snow blower in the work area.



WARNING

AVOID INJURY OR DEATH

- Never start the tractor from outside the cab.
- Never operate the snow blower if any safety device is damaged, disconnected, or missing.
- Never exit the tractor with the engine running.



IMPORTANT

It is the operator's responsibility to know which tractor control operates each function of the snow blower prior to operating the snow blower in the work area.

Checking AlphaBlower Operation (Cont'd)

Engage the tractor's auxiliary hydraulics. (See the tractor's operation manual for correct procedure.)

Auger Rotation

Engage PTO to start auger rotation.

Raise the engine RPM.

Allow the snow blower auger to rotate for a short time (approximately one minute).

Stop auger rotation.

Chute Rotation

Rotate the discharge chute in both directions. The discharge chute should rotate freely.

Deflector Raise / Lower (if equipped)

Raise and lower the deflector multiple times. The deflector should move up and down freely.

Lower the engine RPM.

Disengage the tractor's PTO.

Lower the snow blower to the ground.

Exit the tractor. (See "Exiting The Operator's Position" on page 11.)

Place all controls in neutral, engage the park brake, and exit the tractor. (See "Exiting The Operator's Position" on page 11.)

NOTE: Adjust the snow blower so that it is level. (See "AlphaBlower Adjustment" on page 15.)

Move the tractor and snow blower to the work area.

Operating The AlphaBlower

Operation

WARNING

AVOID INJURY OR DEATH

While operating the tractor:

- Always keep seat belt fastened.
- Safety seat bar lowered (if equipped).

Always keep your feet on the pedals or footrests and hands on the controls.

WARNING

AVOID SERIOUS INJURY OR DEATH

Always be aware of overhead obstacles or power lines when operating the snow blower.

WARNING

AVOID SERIOUS INJURY OR DEATH

Never direct discharge toward bystanders, buildings or other property. Debris can be thrown great distances.

WARNING

AVOID SERIOUS INJURY OR DEATH

If the auger / chute becomes clogged with snow, turn the tractor’s engine off. Use a clearing rod, never insert hands or feet into the chute or auger opening.

Enter the tractor. (See “Entering The Operator’s Position” on page 11.)

Start the engine and release the parking brake.

Raise the snow blower slightly off the ground.

Move to the work area.

Engage the tractor’s PTO. (See the tractor’s Operation Manual for correct procedure.)

Set the snow blower at the recommended working position.

Raise the engine RPM to attain proper rated PTO speed.

Rotate the snow blower discharge chute to the desired position. The discharge chute can be rotated at any time by using the auxiliary circuit.

Adjust the deflector to control the distance the snow is thrown.

NOTE: Always be sure the snow blower is level (parallel) with the ground when operating to insure proper cutting edge and adjustable gauge wheel wear.

NOTE: The tractor speed is determined by the depth and density of the snow being moved. Adjust speed as required.

NOTE: Operating blower without hydraulic fluid at proper operating temperature will negatively affect performance.

Clearing a Plugged AlphaBlower

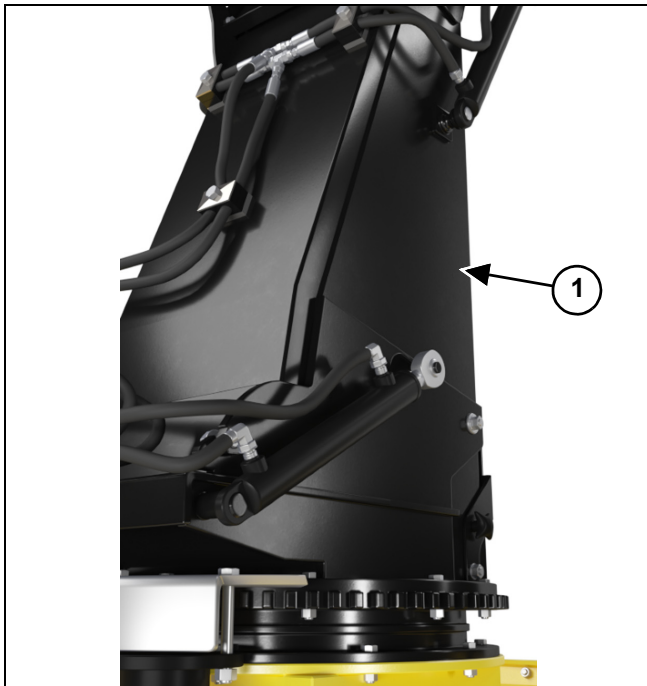
WARNING

AVOID SERIOUS INJURY OR DEATH

If the auger / chute becomes clogged with snow, turn the tractor's engine off. Use a clearing rod, never insert hands or feet into the chute or auger opening.

NOTE: If the AlphaBlower is equipped with the hydraulic tip down option the chute can be tilted down to remove snow from the impeller housing.

Figure 3



Remove as much snow as possible before the chute (Item 1) [Figure 3] is rotated down.

NOTE: Be aware of the risk of crushing between the chute and the fixing bracket when the chute is tilted down or raised up again.

AlphaBlower Removal

NOTE: Put the snow blower on planks or blocks before removing it from the tractor to prevent it from settling or sinking in soft / wet ground.

Park the tractor and snow blower on a flat level surface.

Lower the snow blower and put the snow blower flat on the ground.

Stop the engine and engage the parking brake.

Relieve auxiliary hydraulic pressure. (See the tractor's Operator's Manual for correct procedure.)

Exit the operator's position. (See "Exiting The Operator's Position" on page 11.)

NOTE: Be aware of all pinch points when disconnecting the snow blower from the tractor.

Disconnect the PTO shaft.

Disconnect the auxiliary hydraulic hoses. (See "Hydraulic Couplers" on page 17.)

Disengage the tractor's locking levers (if equipped). Remove three-point mounting pins. (See the tractor's Operator's Manual for correct procedure.)



WARNING

AVOID BURNS

Hydraulic fluid, tubes, fittings, and quick couplers can get hot during operation. Be careful when connecting and disconnecting hydraulic hoses.

Enter the tractor. (See "Entering The Operator's Position" on page 11.)

Start the engine and release the parking brake.

Drive the tractor slowly away from the snow blower.

NOTE: Make sure the snow blower is free from the tractor.



Maintenance Safety

WARNING

AVOID SERIOUS INJURY OR DEATH

Never operate the tractor in a closed building. Proper ventilation is required when operating the tractor under all circumstances.

WARNING

AVOID SERIOUS INJURY OR DEATH

Stop the engine, release auxiliary hydraulic pressure, disconnect the auxiliary hydraulic hose quick couplers, and disconnect the PTO driveline from the tractor before performing maintenance on the snow blower.

- Always keep the work area clean and dry.
- Always use personal protection devices such as eye, hand, and hearing protection when performing any service or maintenance.
- A fire extinguisher and first aid kit should be readily accessible while performing maintenance on the snow blower.
- Always relieve hydraulic system pressure before disconnecting the snow blower.
- Always disconnect hydraulic connections between the tractor and the snow blower before performing maintenance.
- Before working or doing maintenance on the snow blower, disconnect the PTO driveline from the tractor. Make sure the tractor's wheels are blocked.
- Never work under the snow blower unless the snow blower is blocked or supported securely.
- Disconnect the battery (both terminals) before welding on any part of the snow blower / tractor. Failure to do so may cause damage to electrical components.
- When working around batteries, remember that all of the exposed metal parts are "live". Never lay a metal object across the terminals because a spark, short circuit, explosion, or personal injury may result.
- Battery posts, terminals, and related accessories contain lead and lead compounds. **Wash hands after handling.**
- Never search for leaks with your hands. (See "Hydraulic Safety" on page 7.)
- When replacement parts are necessary, genuine factory replacement parts must be used to restore your snow blower to original specifications. SnowWolf will not be responsible for injuries or damage caused by use of unapproved parts and / or accessories.
- When completing service or maintenance on the snow blower, make sure all shields and guards are installed before placing the snow blower into service.

General Maintenance

 **WARNING**

AVOID SERIOUS INJURY OR DEATH

Before operating or servicing system: Read and understand the machine's owner's manual. Follow the warnings and instructions in the manual when making repairs, adjustments, or servicing. Check for correct function after adjustments, repairs, or service. Untrained operators and failure to follow instructions can cause injury or death.

To ensure efficient operation, you should inspect, lubricate, and make necessary adjustments and repairs at regular intervals. Keep good maintenance records and adequately clean the snow blower after each use.

Proper lubrication is important. Follow all lubrication instructions and schedules included in this section.

Daily Inspection:

- All components and hardware to ensure equipment is secure and thoroughly tightened.
- Frame and all welds for cracks or damage.
- Adjustable gauge wheels for wear or damage and PSI if not foamed filled.
- Mounting frame for proper operation and signs of damage or unusual wear.
- Safety signs and reflectors for damage. Replace any missing or damaged decals.
- Cutting edge for wear or damage.
- Hydraulic hoses and fittings for wear, damage or leaks.

NOTE: Repair or replace any damaged parts.

NOTE: After initial use, or repair / replacement of damaged parts, it is important to check the repaired or replaced parts for proper bolt torque, operation, and leaks.

AlphaBlower Maintenance

WARNING

AVOID SERIOUS INJURY OR DEATH

Always turn off and lockout power on the tractor before servicing the snow blower.

WARNING

AVOID SERIOUS INJURY OR DEATH

Always disconnect hydraulic connections between the snow blower and the tractor before performing any type of maintenance to the snow blower.

WARNING

AVOID SERIOUS INJURY OR DEATH

Securely block up the snow blower before working underneath.

WARNING



Leaking fluids under pressure can enter the skin and cause serious injury or death. Immediate medical attention is required. Wear goggles. Use cardboard to check for leaks.

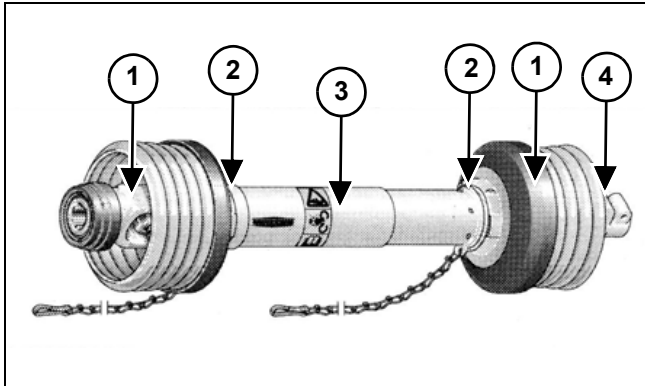
Maintenance Schedule

DESCRIPTION	SERVICE PROCEDURES			
	Check	Grease	Oil Lube	Change
Daily Maintenance (or every 10 hrs)				
Adjustable Gauge Wheels	X			
Weekly Maintenance (or every 50 hrs)				
PTO Shaft		X		
Axle Ball Bearings		X		
Chute Fixing Screws	X			
Check Hydraulic Hoses	X			
Snow Blower Frame	X			
Hardware	X			
Monthly Maintenance (or every 170 hrs)				
Auger Bearings		X		
Impeller Bearings		X		
Impeller Axle		X		
Slew Ring		X		
Chute Movable Joints			X	
Gauge Wheel Height Adjustment			X	
Gauge Wheel Bearings		X		
PTO Shaft (located by shear bolt)		X		
Cutting Edge	X			
Auger Fixing Screws	X			
Gearbox Fixing Screws	X			
Gearbox Oil Level	X			
Gearbox Oil Level - Front-Mounted	X			
Yearly Maintenance (or every 500 hrs)				
Gearbox - front-mounted. First change after 50 hours. (See “Gearbox Oil Change” on page 27.)				X
Gearbox Front Mount - Spline Pins		X		
Connection Frame the Locking Bolt				X

Lubrication

PTO Shaft

Figure 4



Grease the PTO driveline fittings (Item 1), bearing for the guard (Item 2) and telescoping tubes (Item 3) [Figure 4] every 40 hours of operation.

NOTE: For lubrication of the telescoping tubes (Item 3) [Figure 4] the PTO shaft must be pulled apart.

Grease the bearings (Item 4) [Figure 4] by the shear bolt every 250 hours of operation.

PTO Stub Splines

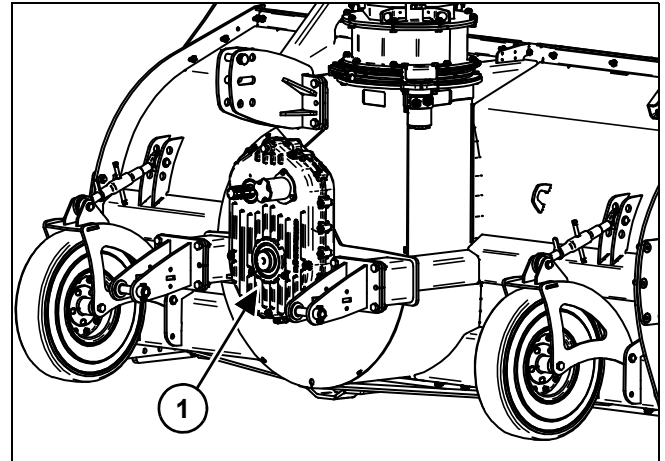
Lubricate the splines on the PTO stub using grease before the snow blower is placed in storage after the end of the season. Lubricate the locking bolt on the connection frame using oil.

Spline Pins Front Mount Gearbox

Grease the zerk on the lower axle of the gearbox.

Gearbox Oil Change

Figure 5



NOTE: Make sure the snow blower is level.

Remove the drain plug located on the bottom of the gearbox (Item 1) [Figure 5] and the filling / level plug. Drain oil into a container and dispose of properly.

Install the drain plug and add oil until the oil is level with the bottom of the fill / level plug hole. Install the plug.



IMPORTANT

Fluid such as engine oil, hydraulic fluid, coolants, grease, etc. must be disposed of in an environmentally safe manner. Some regulations require that certain spills and leaks on the ground must be cleaned in a specific manner. See local, state, and federal regulations for the correct disposal.

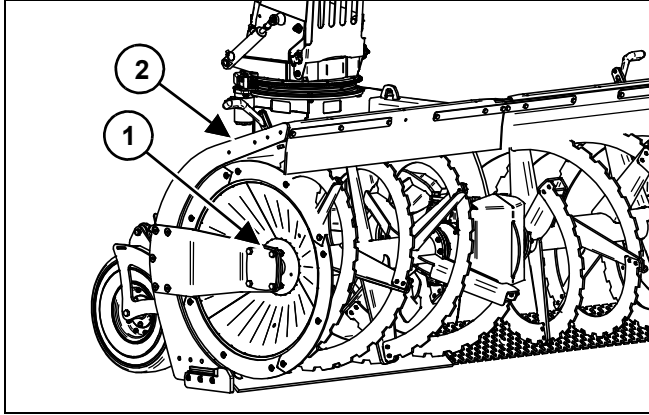
Gearbox Oil Change for Front Mounted Units

Follow the same procedure above for the front mounted gearbox.

Lubrication (Cont'd)

Ball Bearings

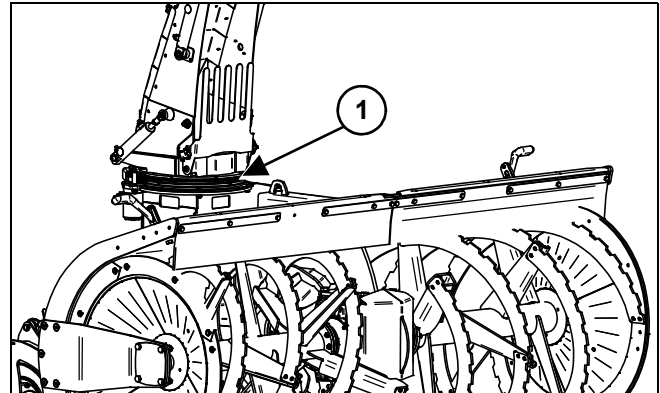
Figure 6



The snow blower is equipped with two shaft bearings (Item 1) for the axle suspension and one bearing (Item 2) [Figure 6] for the fan shaft. The bearings are equipped with grease zerks and filled with grease and have integrated seals. Push the grease in carefully to avoid damage to the seals.

Slew Ring

Figure 7



The slew ring (Item 1) [Figure 7] is equipped with four grease zerks. Use grease of the type Mobil Mobilith SHC 220 or equivalent. Rotate the chute around and grease repeatedly to distribute the grease around the entire slew ring.

If the clearance between the chute and the fixing bracket for the chute is too large (or if the contact face facing the slew ring is uneven) this could result in an uneven load on the slew ring, resulting in slow operation or inability to rotate. If this happens, loosen all the bolts on the slew ring. Fill any clearances using shims or washers before tightening the bolts again.

Auger Axle Couplings

Check the gearbox and the auger axle and axle bearings for wear. Replace parts if necessary.

Cutout Clutch

The augers are secured using one cutout clutch. The PTO shaft is secured by shear bolts.

Hydraulic Hoses

Check that there is no damage to hydraulic hoses for the chute tilt and hydraulic swivel motor. Replace any damaged hoses. Also check for any leakages in hose connections and couplings.

WARNING



Leaking fluids under pressure can enter the skin and cause serious injury or death. Immediate medical attention is required. Wear goggles. Use cardboard to check for leaks.

Cutting Edge Replacement

NOTE: Replace or flip the bolt-on cutting edge when it wears within 1/2" - 3/4". Replace only with genuine SnowWolf cutting edge and hardware.

1. Park the tractor on a level surface with the snow blower properly attached.
2. Lower the snow blower approximately three to four inches off the ground.
3. Engage the parking brake.
4. Shut off the tractor's engine, remove the ignition key (if equipped), wait for all moving parts to come to a stop, and relieve all pressure in the hydraulic lines.
5. Block and / or support the snow blower with a proper lifting device capable of sufficiently supporting the unit's weight.
6. Disconnect PTO and hydraulic connections between the snow blower and the tractor.
7. Block the cutting edge, remove the fasteners, and remove the cutting edge.

NOTE: Be cautious as the cutting edge and hardware may be sharp.

8. Properly dispose of the old cutting edges and install the new cutting edges by reversing the steps listed here.

NOTE: Replace worn or damaged fasteners as needed.

AlphaBlower Disassembly

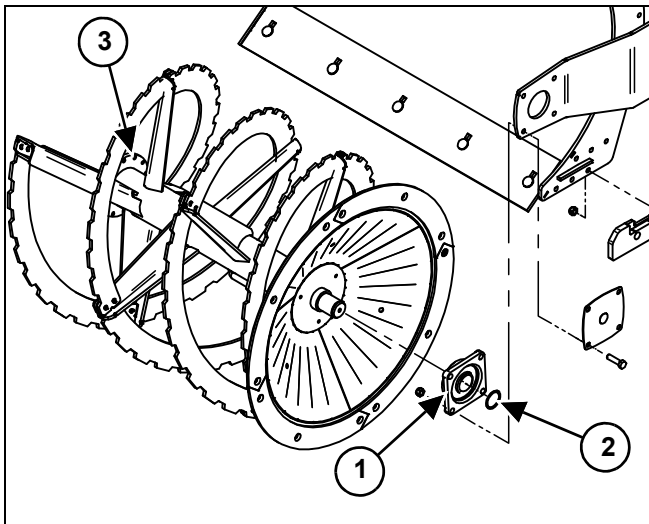
WARNING

AVOID SERIOUS INJURY OR DEATH

Securely block up the snow blower before working underneath.

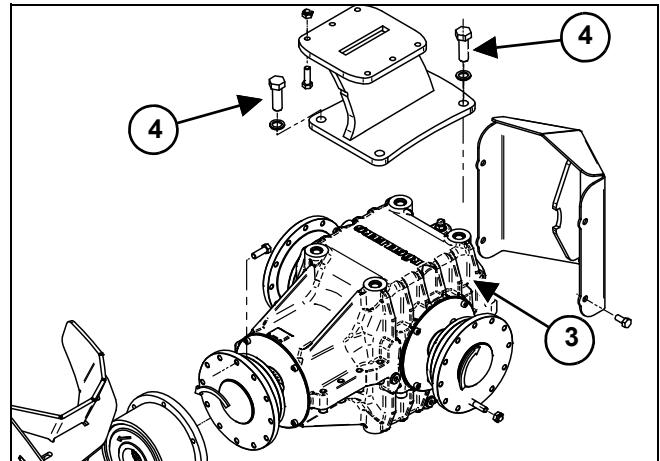
1. Provide support beneath the augers using wooden blocks.

Figure 8



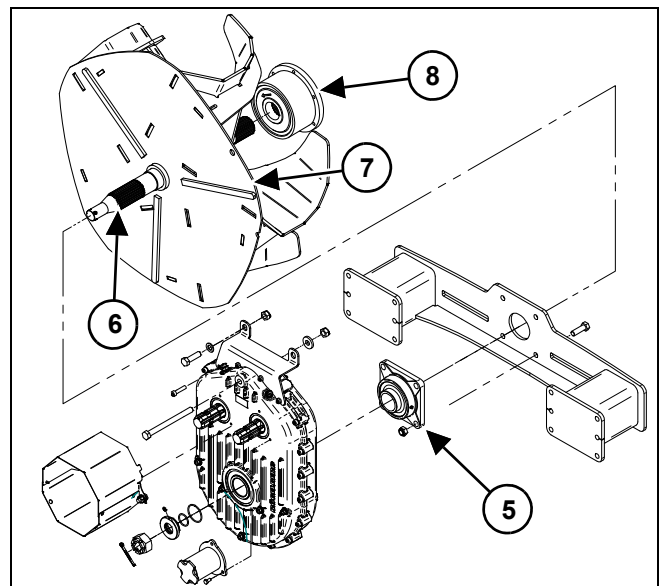
2. Remove flanged bearings (Item 1) and retaining rings (Item 2) [Figure 8] from both sides of the blower housing.
3. Loosen the set screws on the flange on the outer part of the augers and pull off.
4. Unbolt the inside edge of the auger mounting it to the gearbox (Item 3) [Figure 9].
5. Then push the rest of the augers out to the side so that they come loose from the mounting flange on the gearbox and lift them out.

Figure 9



6. Support the gearbox (Item 3) [Figure 9] using a jack or similar.
7. Ensure that the gearbox is properly secured; it weighs approximately 250 lbs without oil.
8. Loosen the bolts (Item 4) [Figure 9] for the gearbox and lower it slightly.

Figure 10



9. Disassemble the bearing (Item 5) on the impeller axle (Item 6) and pull the impeller axle (Item 6) with impeller (Item 7) and the cutout clutch (Item 8) [Figure 10] out.

AlphaBlower Assembly

1. Apply grease to all spline pins before installation to prevent the pins from corroding.
2. Position the gearbox upside down on a jack or similar (make sure it is well supported).
3. Return the impeller axle with the impeller and install the flanged bearing.
4. Push the gearbox onto the spline pin on the cutout clutch.
5. Turn the gearbox 180 degrees and install the fixing screws and the lock washers.
6. Lock the bolts using lock washers.

Auger Axle Installation

When the augers are turned, make sure they turn freely and all hardware is tight.

NOTE: When the augers are bolted onto the gearbox output shaft, these must be positioned at 90 degrees in relation to each other. This is to ensure that snow is fed into the impeller evenly.

Incorrect installation can cause serious damage to the blower, especially to the augers and gearbox.

Troubleshooting

PROBLEM	CAUSE	SOLUTION
Snow blower leaving snow behind.	Snow blower not adjusted properly.	Adjust the snow blower.
	Cutting edge worn or damaged.	Replace cutting edge / wing cutting edges.
Auger or fan will not turn.	Gearbox faulty.	Repair or replace.
	Debris in auger or fan.	Remove debris.
	Bolt on PTO sheared.	Replace shear bolt.
Chute does not rotate.	Damaged hydraulic motor.	Repair or replace.
	Pinched or damaged hose.	Repair or replace.
Deflector does not adjust.	Damaged hydraulic cylinder.	Repair or replace.
	Pinched or damaged hose.	Repair or replace.

Storage And Return To Service

Storage

After the season's use or when the snow blower will not be in use for a period of time, perform the following steps.

- Thoroughly wash the snow blower.
- Make sure all covers, guards, and shields are installed.
- Inspect all components and hardware to ensure everything is secure and thoroughly tightened.
- Inspect the frame and all welds for cracks or damage.
- Apply a light coat of grease to the cylinder rods and pivot pins to prevent rust.
- Inspect the snow blower mounting frame for wear or damage.
- Check that all decals and / or reflectors are in good condition and legible. Replace any damaged or missing decals.
- Cap all loose hose ends.
- Place the snow blower in a dry protected shelter.

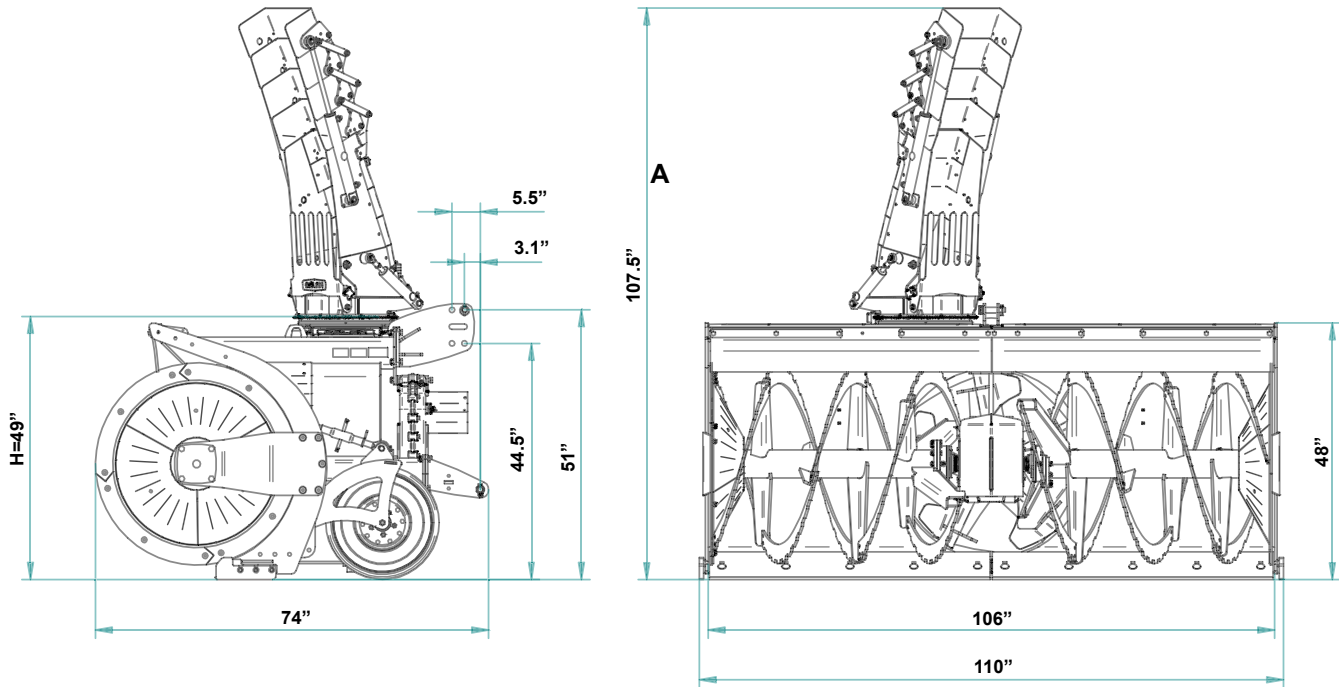
NOTE: Replace or repair any damaged parts

Return to Service

After the snow blower has been in storage, it is necessary to follow a list of items to return the snow blower to service.

- Make sure all covers, guards, and shields are installed.
- Inspect all components and hardware to ensure everything is secure and thoroughly tightened.
- Inspect the decals and reflectors for missing or damage.
- Install and operate the snow blower and check for correct function.
- Check for leaks. Clean and repair as needed.

AlphaBlower Specifications



DESCRIPTION	
Weight (Approx)	1,830 lbs.
Height (Approx)	107.5"
Height with Telescopic Chute (Approx)	139" - 171"
Impeller Diameter (Approx)	35"
Auger Diameter (Approx)	37"
Auger Diameter (Approx)	37"
Gauge Wheels PR10	6" x 9"
Air Pressure (Gauge Wheels)	100 psi
Gearbox Main, Oil, Mobil SHC Gear 220	2 gal
Gearbox Rear, Oil, Mobil SHC Gear 220	1 gal

Torque Specifications

Standard Hardware And Lock Nuts

BOLT TYPE	SAE GRADE 5		SAE GRADE 8		LOCK NUTS			
	Plated or Unplated	Plated W / ZnCr	Plated or Unplated	Plated W / ZnCr	Plated or Unplated	Plated W / ZnCr	W / Grade 5 Bolt	W / Grade 8 Bolt
	Silver	Gold	Silver	Gold	Silver	Gold		
1/4	55 in / lb (6.2 N•m)	72 in / lb (8.1 N•m)	86 in / lb (9.7 N•m)	112 in / lb (12.6 N•m)	121 in / lb (13.6 N•m)	157 in / lb (17.7 N•m)	61 in / lb (6.9 N•m)	86 in / lb (9.8 N•m)
5/16	115 in / lb (13 N•m)	149 in / lb (17 N•m)	178 in / lb (20 N•m)	229 in / lb (26 N•m)	250 in / lb (28 N•m)	325 in / lb (37 N•m)	125 in / lb (14 N•m)	176 in / lb (20 N•m)
3/8	17 ft / lb (23 N•m)	22 ft / lb (30 N•m)	26 ft / lb (35 N•m)	34 ft / lb (46 N•m)	37 ft / lb (50 N•m)	48 ft / lb (65 N•m)	19 ft / lb (26 N•m)	26 ft / lb (35 N•m)
7/16	27 ft / lb (37 N•m)	35 ft / lb (47 N•m)	42 ft / lb (57 N•m)	54 ft / lb (73 N•m)	59 ft / lb (80 N•m)	77 ft / lb (104 N•m)	30 ft / lb (41 N•m)	42 ft / lb (57 N•m)
1/2	42 ft / lb (57 N•m)	54 ft / lb (73 N•m)	64 ft / lb (87 N•m)	83 ft / lb (113 N•m)	91 ft / lb (123 N•m)	117 ft / lb (159 N•m)	45 ft / lb (61 N•m)	64 ft / lb (88 N•m)
9/16	60 ft / lb (81 N•m)	77 ft / lb (104 N•m)	92 ft / lb (125 N•m)	120 ft / lb (163 N•m)	130 ft / lb (176 N•m)	169 ft / lb (229 N•m)	65 ft / lb (88 N•m)	92 ft / lb (125 N•m)
5/8	83 ft / lb (112 N•m)	107 ft / lb (145 N•m)	128 ft / lb (174 N•m)	165 ft / lb (224 N•m)	180 ft / lb (244 N•m)	233 ft / lb (316 N•m)	90 ft / lb (122 N•m)	127 ft / lb (172 N•m)
3/4	146 ft / lb (198 N•m)	189 ft / lb (256 N•m)	226 ft / lb (306 N•m)	293 ft / lb (397 N•m)	319 ft / lb (432 N•m)	413 ft / lb (560 N•m)	160 ft / lb (217 N•m)	226 ft / lb (306 N•m)
7/8	142 ft / lb (193 N•m)	183 ft / lb (248 N•m)	365 ft / lb (495 N•m)	473 ft / lb (641 N•m)	515 ft / lb (698 N•m)	667 ft / lb (904 N•m)	258 ft / lb (350 N•m)	364 ft / lb (494 N•m)
1	213 ft / lb (289 N•m)	275 ft / lb (373 N•m)	547 ft / lb (742 N•m)	708 ft / lb (960 N•m)	773 ft / lb (1048 N•m)	1000 ft / lb (1356 N•m)	386 ft / lb (523 N•m)	545 ft / lb (739 N•m)



8415 220th Street West, Suite K • Lakeville, MN 55044
1-800-905-2265 / snowwolfplows.com