

# Pedimat M1

Pedimat's are a popular choice when it comes to entrance matting systems – they are made of lightweight aluminum and are available in recessed or surface mount applications for your entrance matting system. The Pedimat M1 rolls up for easy maintenance, and it is known in the industry for its quiet performance and dirt trapping capabilities.

## 1 Select Size

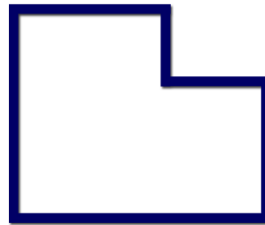


All mats are custom made per specification. Measurements down to 1/16" accuracy.



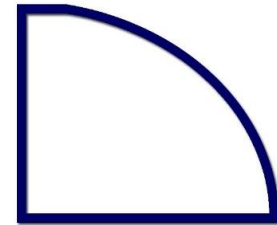
Regular Shape

Shapes with 90 Degree Corners



Irregular Shape

Shapes with Notches or Irregular Cuts



Irregular Shape Template

Irregular Shapes Requiring a Template

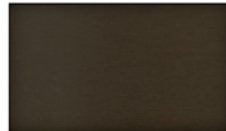
## 2 Select Aluminum Finish



Mill Finish  
(Natural Finish)



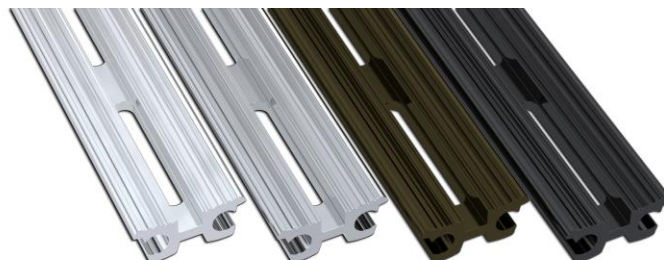
Clear



Bronze



Black



Choose from standard Mill Finish (Natural Aluminum), Clear Anodize, Bronze Powder Coat, or Black Anodize.

### 3 Select Insert Type and Color

#### Heavy Duty Carpet Inserts



#### Exterior Brush Inserts

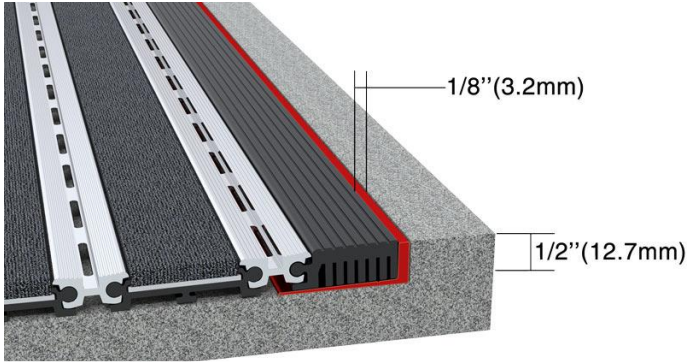


#### Rubber Inserts

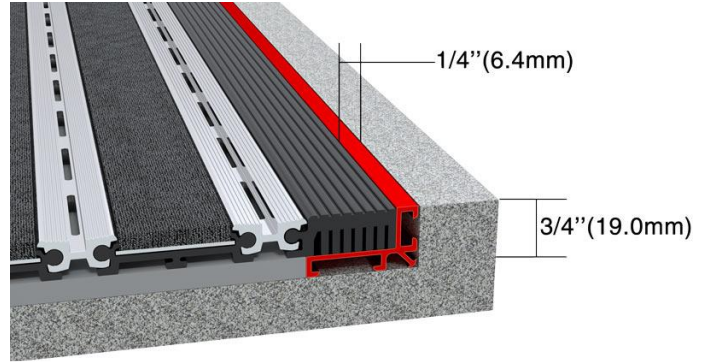


8501 Black

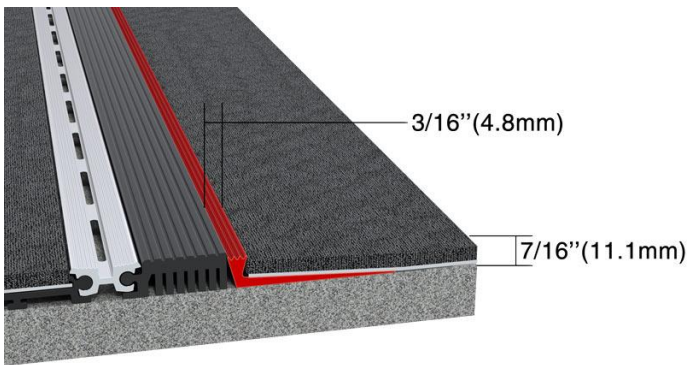
## 4 Select Pedimat M1 Frame



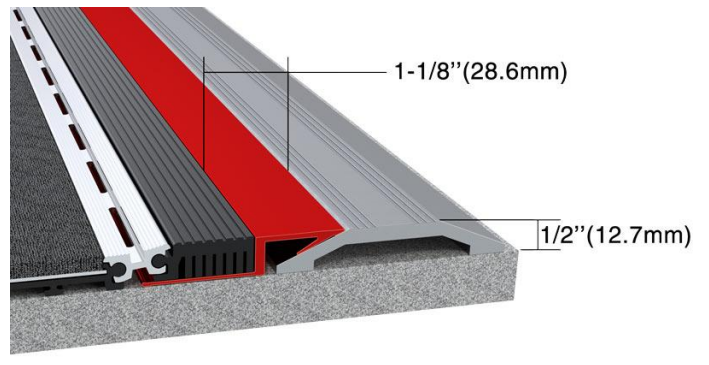
Recessed Tapered Angle Frame (TNG)



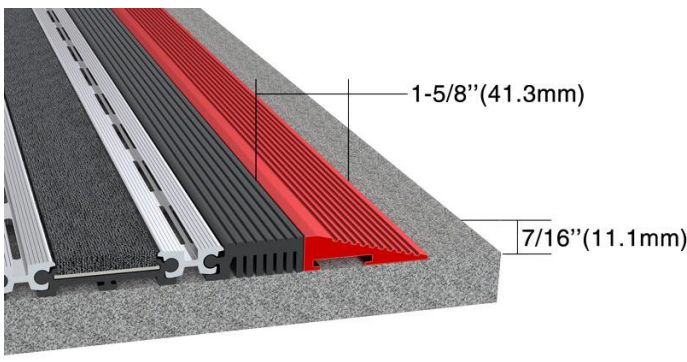
Recessed Level Base Frame (LB)



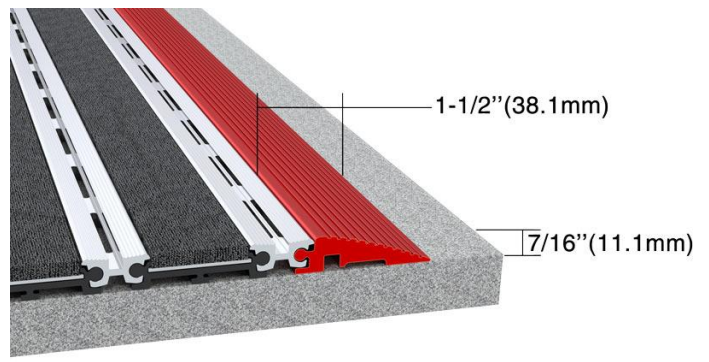
Surface Pipestem Frame (PS)



Surface Threshold Frame (THFR)

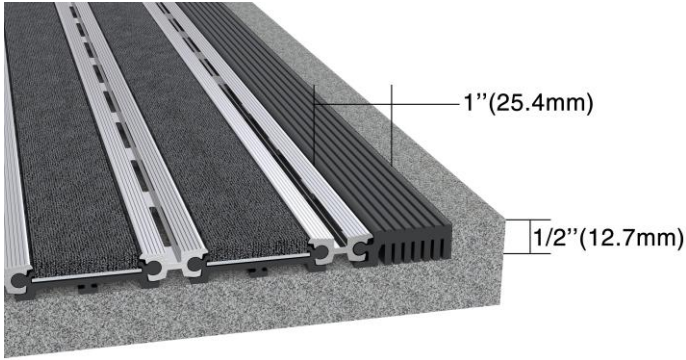


Surface Mounted Tapered Aluminum Frame (TA)



Surfaced Mounted Tapered Vinyl Frame (SM)

PRODUCT CUSTOMIZATION OPTIONS  
PEDIMAT M1



No Frame (NF)