

Pedimat M2

When looking for an entrance floor mat choose Pedimat. Its aluminum construction is lightweight yet durable for heavy-use entry doorways. Pedimat M2 can be installed in a recessed area or surface mounted for versatility. The M2 matting system is constructed using both aluminum hinges as well as aluminum rails and it is available in a variety of insert types and colors.

1 Select Size

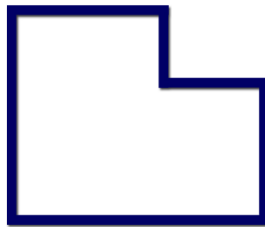


All mats are custom made per specification. Measurements down to 1/16" accuracy.



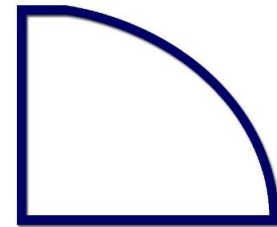
Regular Shape

Shapes with 90 Degree Corners



Irregular Shape

Shapes with Notches or Irregular Cuts



Irregular Shape Template

Irregular Shapes Requiring a Template

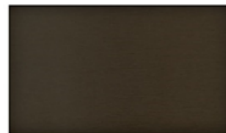
2 Select Aluminum Finish



Mill Finish
(Natural Finish)



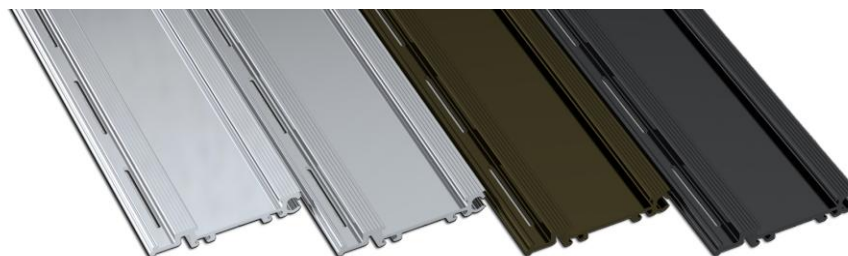
Clear



Bronze



Black



Choose from standard Mill Finish (Natural Aluminum), Clear Anodize, Bronze Powder Coat, or Black Anodize.

3 Select Insert Type and Color

Heavy Duty Carpet Inserts



Exterior Brush Inserts



Additional Insert Options Available on Next Page

Abrasive Tape Inserts



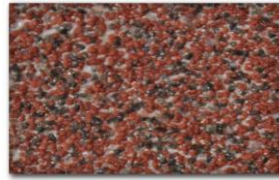
8401 Black



8404 Gray



8407 Indigo



8402 Brick Red



8403 Brown



8406 Safety Yellow

Rubber Inserts



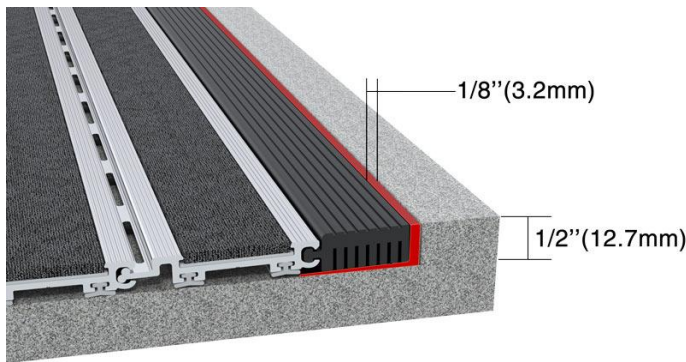
8501 Black

Serrated Aluminum

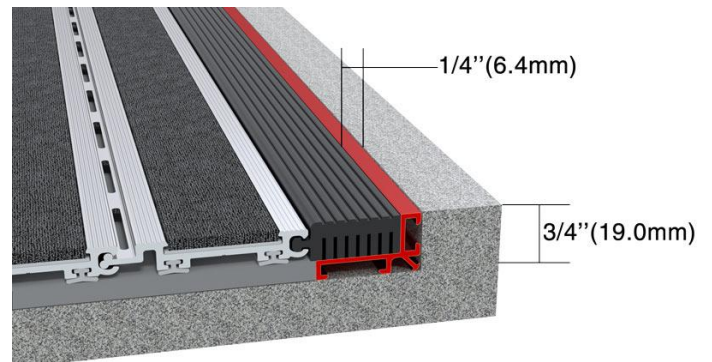


Serrated Aluminum

4 Select Pedimat M2 Frame

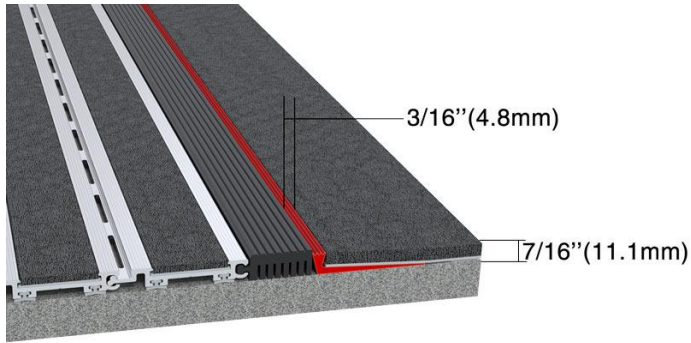


Recessed Tapered Angle Frame (TNG)

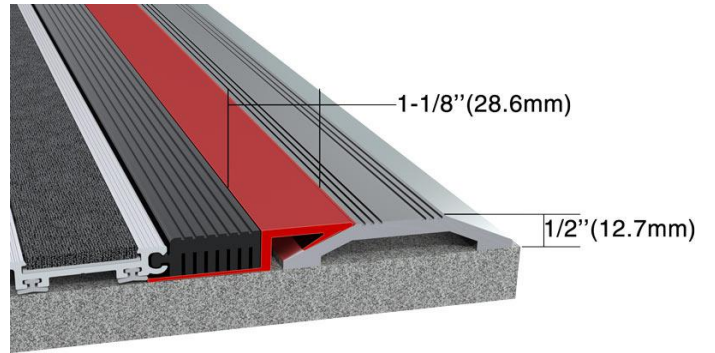


Recessed Level Base Frame (LB)

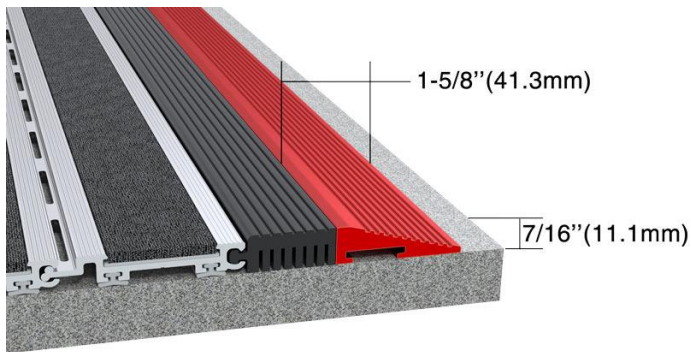
PRODUCT CUSTOMIZATION OPTIONS
PEDIMAT M2



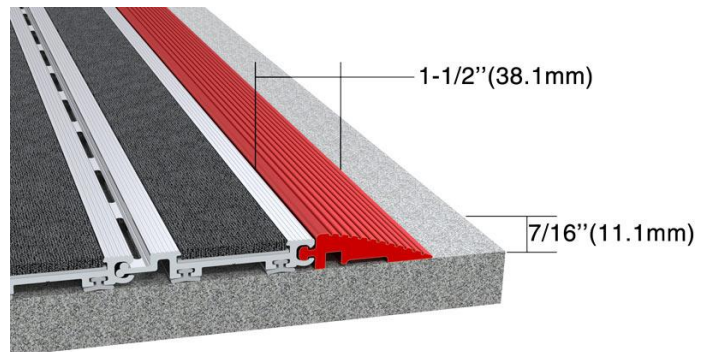
Surface Pipestem Frame (PS)



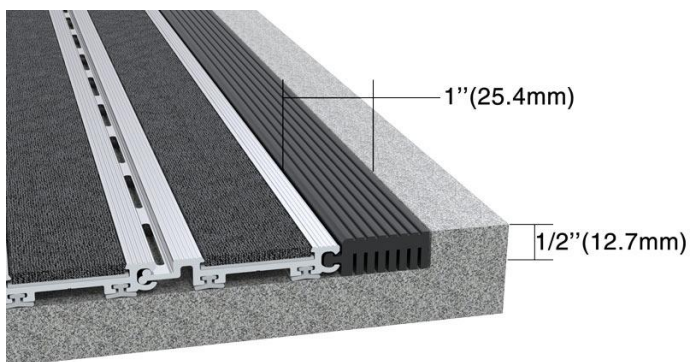
Surface Threshold Frame (THFR)



Surface Mounted Tapered Aluminum Frame (TA)



Surfaced Mounted Tapered Vinyl Frame (SM)



No Frame (NF)