

PediTred LP G3

The PediTred LP G3 entrance flooring system is a great choice if you're looking for the strength and performance of a roll-up mat, it is a 1/2" deep low-profile system and it also has a 750 lbs. per wheel load capacity. The PediTred LP G3 entrance floor matting system is an ideal solution for your existing recess or new construction.

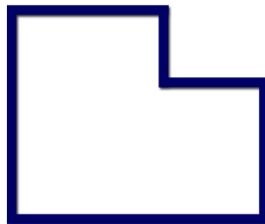
1 Select Size



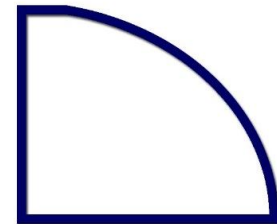
All mats are custom made per specification. Measurements down to 1/16" accuracy.



Regular Shape
Shapes with 90 Degree Corners



Irregular Shape
Shapes with Notches or Irregular Cuts



Irregular Shape Template
Irregular Shapes Requiring a Template

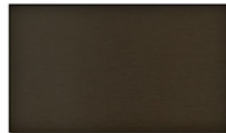
2 Select Aluminum Finish



Mill Finish
(Natural Finish)



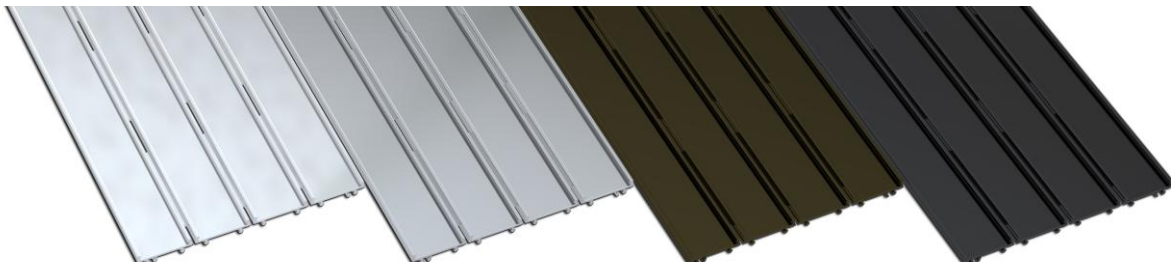
Clear



Bronze



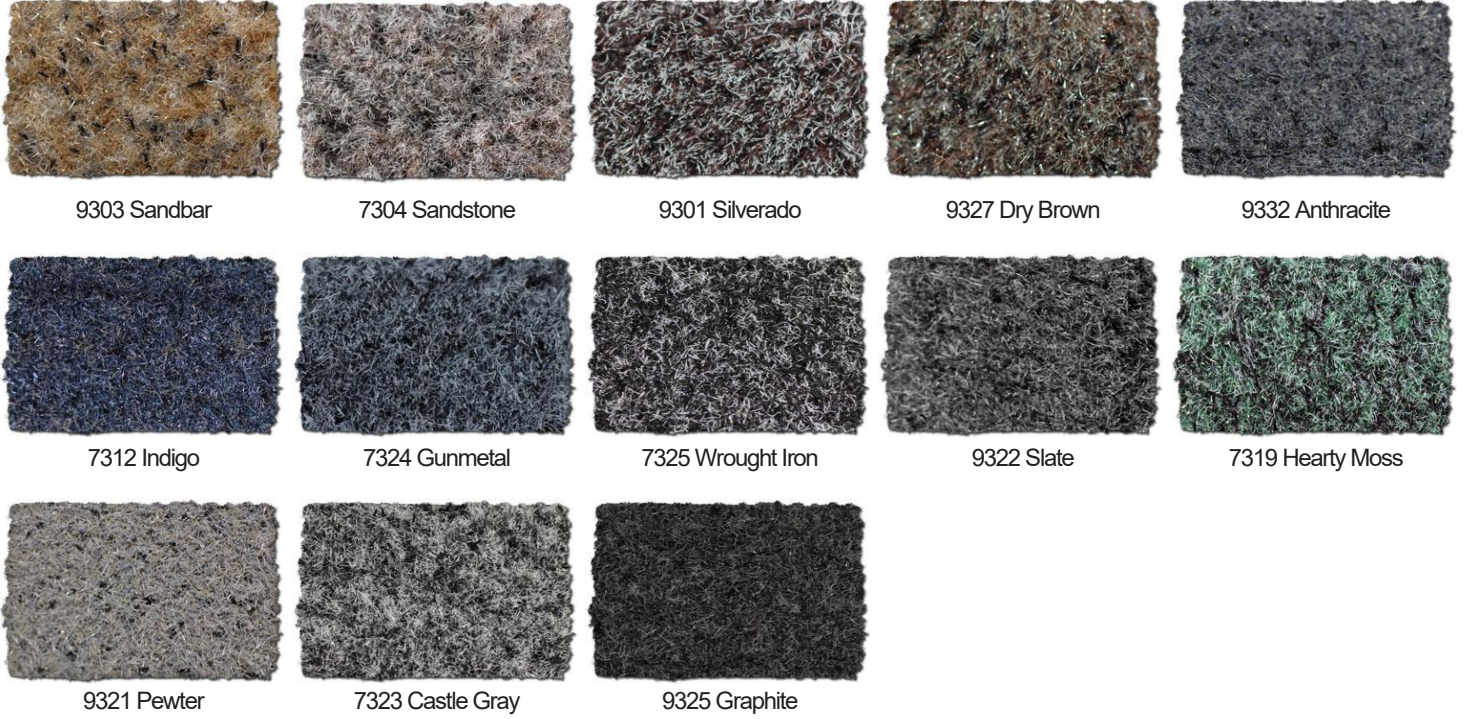
Black



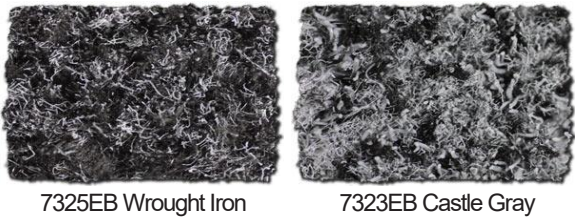
Choose from standard Mill Finish (Natural Aluminum), Clear Anodize, Bronze Powder Coat, or Black Anodize.

3 Select Insert Type and Color

Heavy Duty Carpet Inserts



Exterior Brush Inserts



Additional Insert Options Available on Next Page

Abrasive Tape Inserts



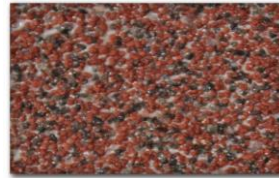
8401 Black



8403 Brown



8407 Indigo



8402 Brick Red



8404 Gray



8406 Safety Yellow

Rubber Inserts



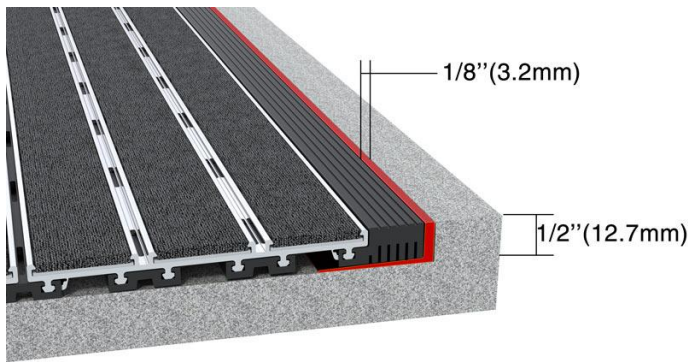
8501 Black

Serrated Aluminum

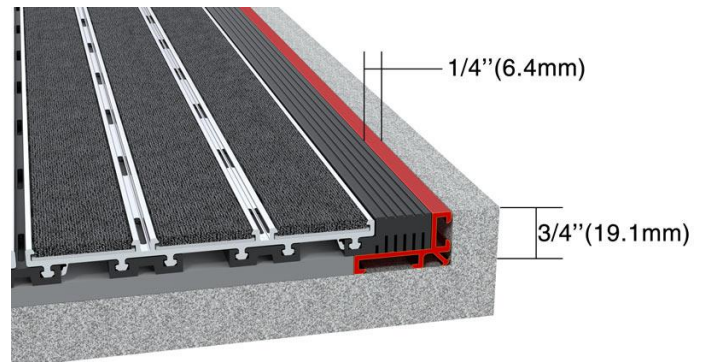


Serrated Aluminum

4 Select PediTred LP G3 Frame

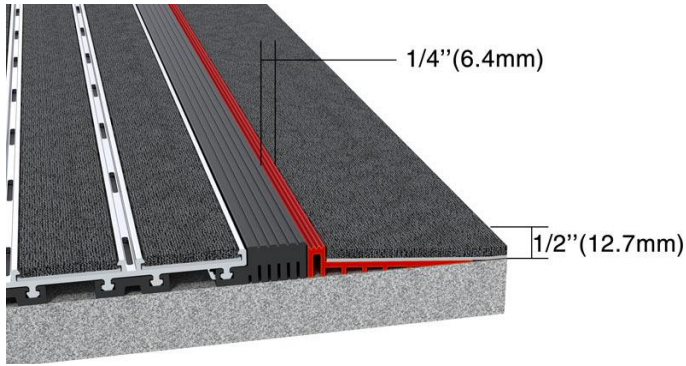


Recessed Tapered Angle Frame (TNG)

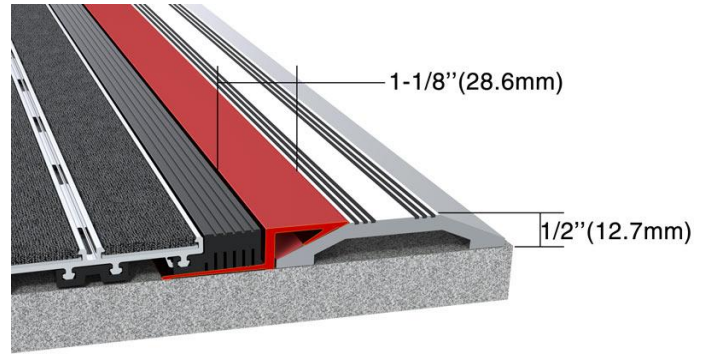


Recessed Level Base Frame (LB)

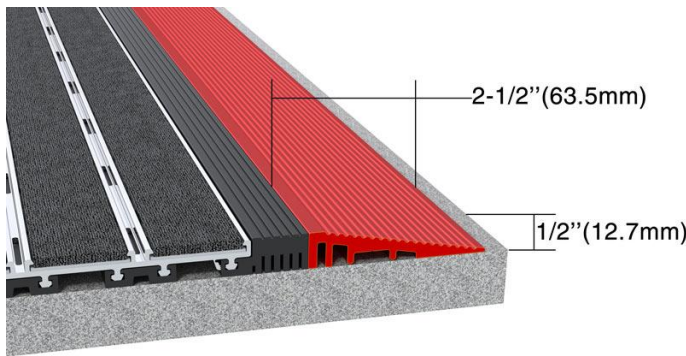
PRODUCT CUSTOMIZATION OPTIONS
PEDITRED LP G3



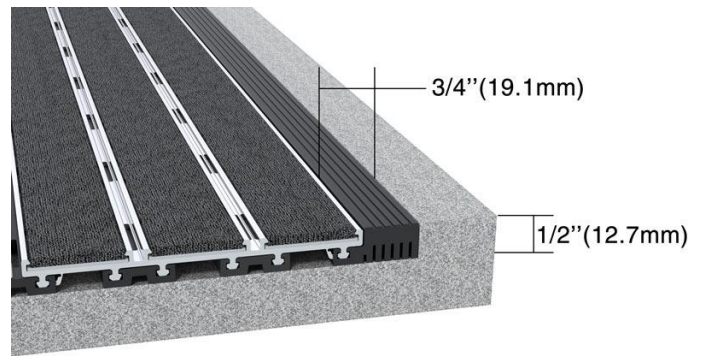
Surface Pipestem Frame (PS)



Surface Threshold Frame (THFR)



Surface Mounted Tapered Aluminum Frame (TA)



No Frame (NF)